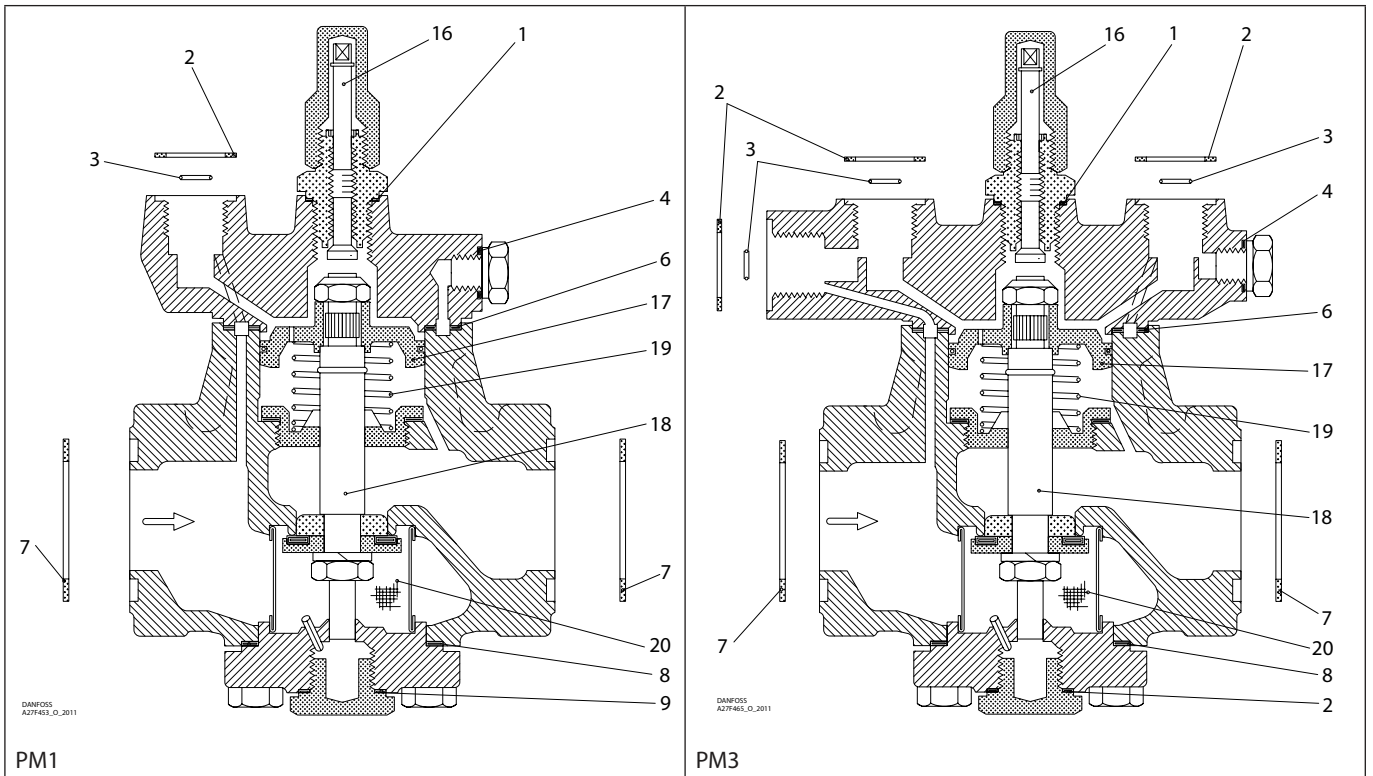


Installation guide – Spare parts and accessories

Overhaul kit | Code number 027F3375
PM, size 50 - standard cone



| | | | | | |
|--|--|---|---|--|---|
| <p>1</p> <p>▨ = Alu.</p> <p>Ø26 mm Ø1.02"</p> <p>Total no. = 1</p> | <p>2</p> <p>▨ = Fibre</p> <p>Ø33 mm Ø1.28"</p> <p>Total no. = 4</p> | <p>3</p> <p>▨ = Alu.</p> <p>Ø9 mm Ø0.36"</p> <p>Total no. = 3</p> | <p>4</p> <p>▨ = Alu.</p> <p>Ø18 mm Ø0.70"</p> <p>Total no. = 1</p> | <p>5*</p> <p>▨ = Alu.</p> <p>Ø14 mm Ø0.55"</p> <p>Total no. = 1</p> | <p>6</p> <p>▨ = Fibre</p> <p>Ø105 mm Ø4.13"</p> <p>Total no. = 1</p> |
| <p>7</p> <p>▨ = Fibre</p> <p>Ø76 mm Ø2.99"</p> <p>Total no. = 2</p> | <p>8</p> <p>▨ = Fibre</p> <p>Ø92 mm Ø3.62"</p> <p>Total no. = 1</p> | <p>9</p> <p>▨ = Alu.</p> <p>Ø32 mm Ø1.26"</p> <p>Total no. = 1</p> | <p>10*</p> <p>▨ = Alu.</p> <p>Ø22 mm Ø0.87"</p> <p>Total no. = 1</p> | <p>16</p> | <p>17</p> <p>Ø85 mm Ø3.35"</p> |
| <p>18</p> <p>Ø50 mm Ø1.97"</p> | <p>19</p> <p>Ø49 mm Ø1.93"</p> <p>Total no. = 1</p> | <p>20</p> <p>Ø74 mm Ø2.91"</p> <p>Total no. = 1</p> | | | |

* The spare part is included in the package but is not used for PM 1 or PM 3 with standard cone.