



REFRIGERATION AND
AIR CONDITIONING

Instructions

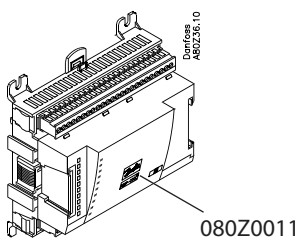
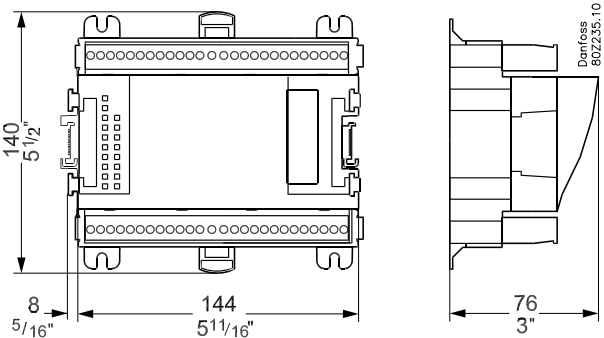
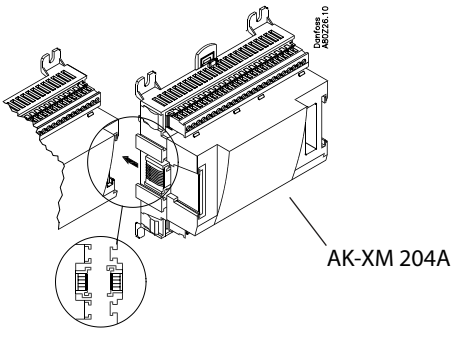
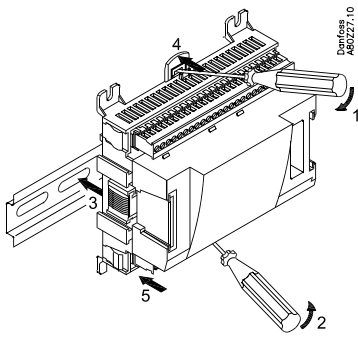

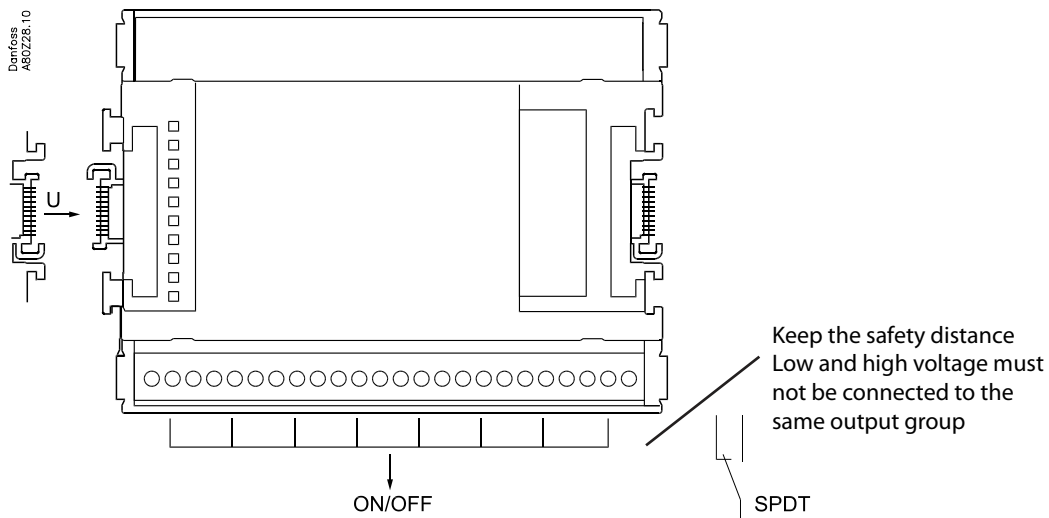
AK-XM 204A



080R9215

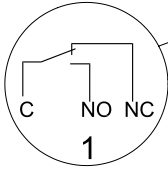
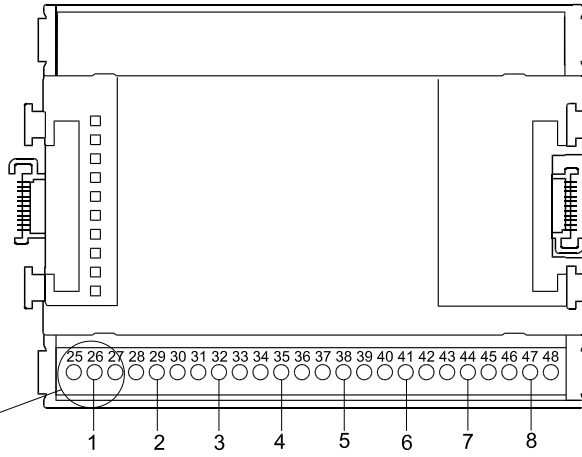


RI8HJ602

 <p>080Z0011</p>		
 <p>AK-XM 204A</p>		
<p>CE $-20^{\circ} < t_{amb} < 55^{\circ}C$ $-0^{\circ}F < t_{amb} < 130^{\circ}F$ 0 - 95% RH, non condensing IP10 / VBG4 UL: E357029</p>	 <p>Warning</p> <p>Ensure power is disconnected before adding or removing Modules</p>	
<p>DO x 8</p>  <p>Keep the safety distance Low and high voltage must not be connected to the same output group</p> <p>ON/OFF</p> <p>SPDT</p> <p>Max. 230 V AC-1: max. 4 A (ohmic) AC-15: max. 3 A (Inductive)</p>		

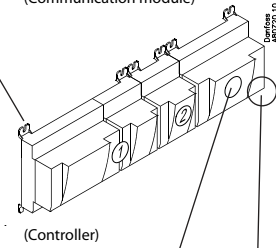
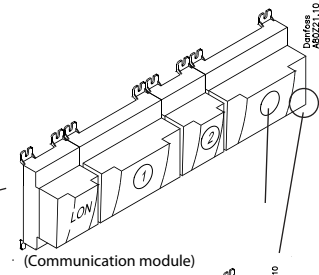
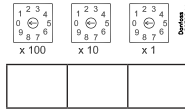
Point

Danfoss
A80Z29.110



	Signal	Active at
DO	Comp 1	ON
	Comp 2	OFF
	Fan 1	
	Alarm	

Address



Signal	Active at	Module	Point	Terminals
			1 (DO 1)	25-26-27
			2 (DO 2)	28-29-30
			3 (DO 3)	31-32-33
			4 (DO 4)	34-35-36
			5 (DO 5)	37-38-39
			6 (DO 6)	40-41-42
			7 (DO 7)	43-44-45
			8 (DO 8)	46-47-48

The Product contains electrical components
And may not be disposed together with domestic waste.
Equipment must be separate collected with Electrical and Elec-
tronic waste. According to Local and currently valid legislation.