



REFRIGERATION AND AIR CONDITIONING

Instructions

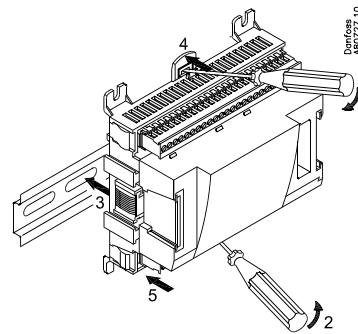
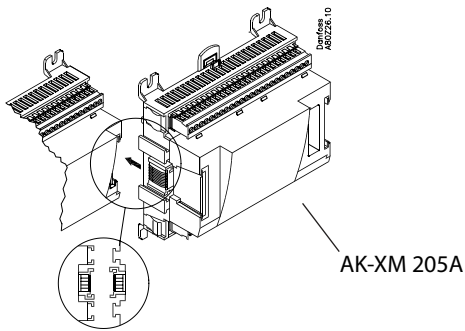
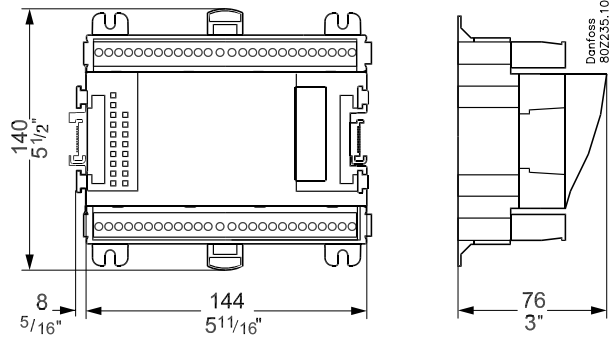
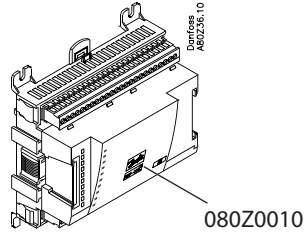
AK-XM 205A



080R9217



RI8HL602



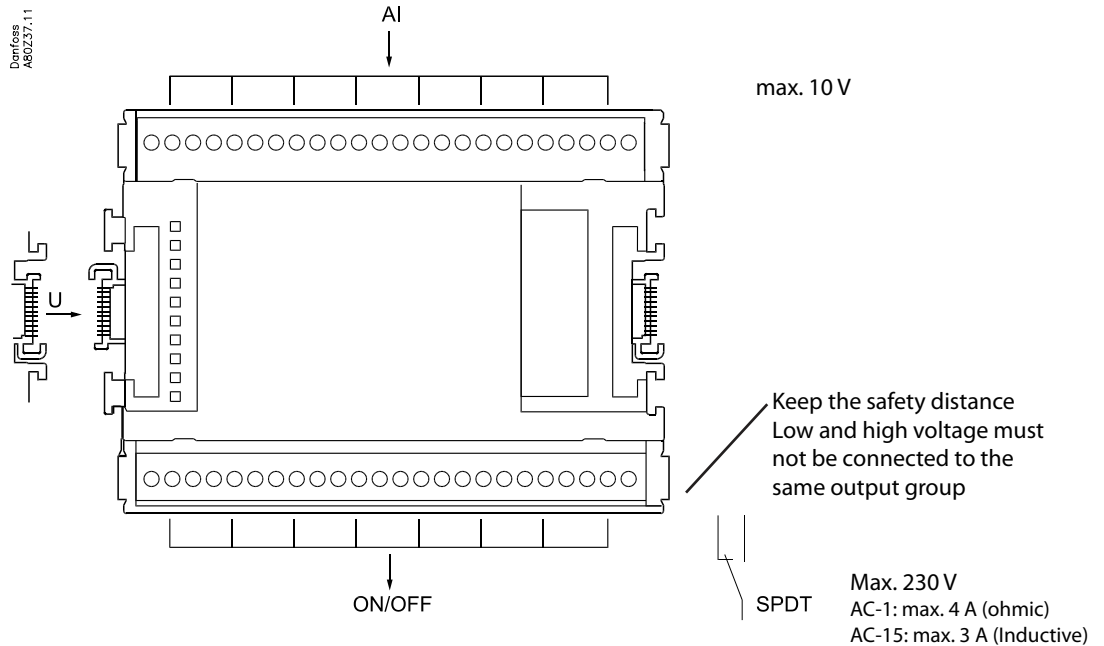
CE

-20° < t_{amb} < 55°C
-0°F < t_{amb} < 130°F
0 - 95% RH, non condensing
IP10 / VBG4
UL: E357029

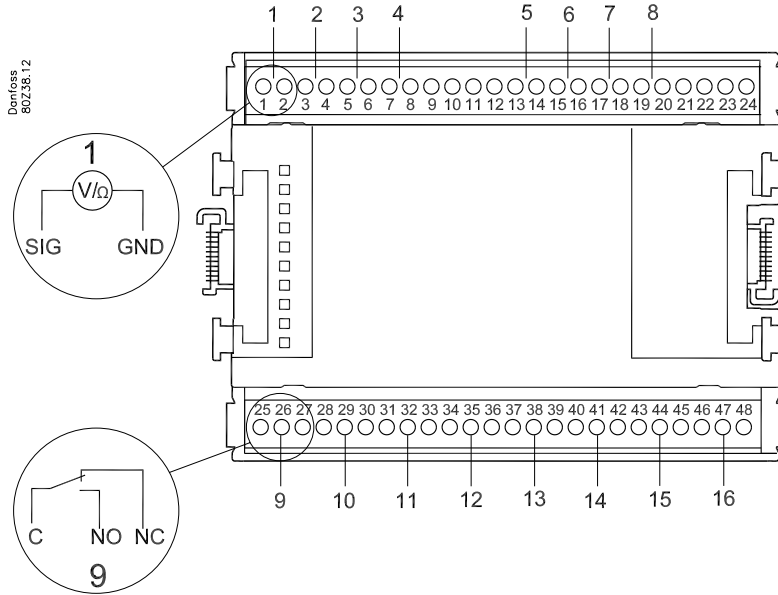


Warning
Ensure power is disconnected before adding or removing Modules

AI x 8
DO x 8



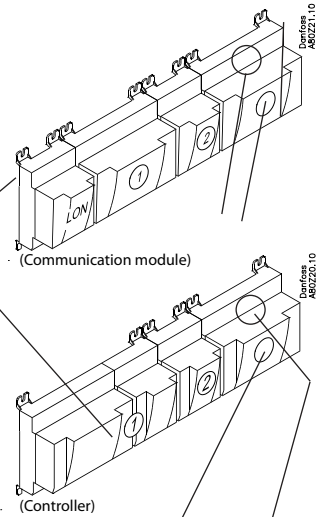
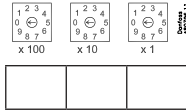
Point



- Terminal 9: 12V
- Terminal 10: 5V
- Terminal 21: 12V
- Terminal 22: 5V
- Terminal 11, 12, 23, 24:

	Signal	Signal type
S (sensor) Pt 1000 ohm/0°C 	S1 S2 Saux1 Saux2 SSA SdA	Pt 1000
P (pressure) AKS 32R AKS 2050 AKS 32 	P0A P0B PcA PcB Paux	AKS 32R AKS 2050 MBS 8250 -1 - xx bar AKS 32 -1 - zz bar
U (voltage) 	...	0 - 5 V 0 - 10 V
On/Off 	Ext. Main switch Day/ Night Door	Active at: Closed / Open
DO 	Comp 1 Comp 2 Fan 1 Alarm	Active at: ON / OFF

Address



Signal	Signal type / Active at	Module	Point	Terminals
			1 (AI 1)	1 - 2
			2 (AI 2)	3 - 4
			3 (AI 3)	5 - 6
			4 (AI 4)	7 - 8
			5 (AI 5)	13 - 14
			6 (AI 6)	15 - 16
			7 (AI 7)	17 - 18
			8 (AI 8)	19 - 20
			9 (DO 1)	25-26-27
			10 (DO 2)	28-29-30
			11 (DO 3)	31-32-33
			12 (DO 4)	34-35-36
			13 (DO 5)	37-38-39
			14 (DO 6)	40-41-42
			15 (DO 7)	43-44-45
			16 (DO 8)	46-47-48

The Product contains electrical components and may not be disposed together with domestic waste. Equipment must be separate collected with Electrical and Electronic waste. According to Local and currently valid legislation.