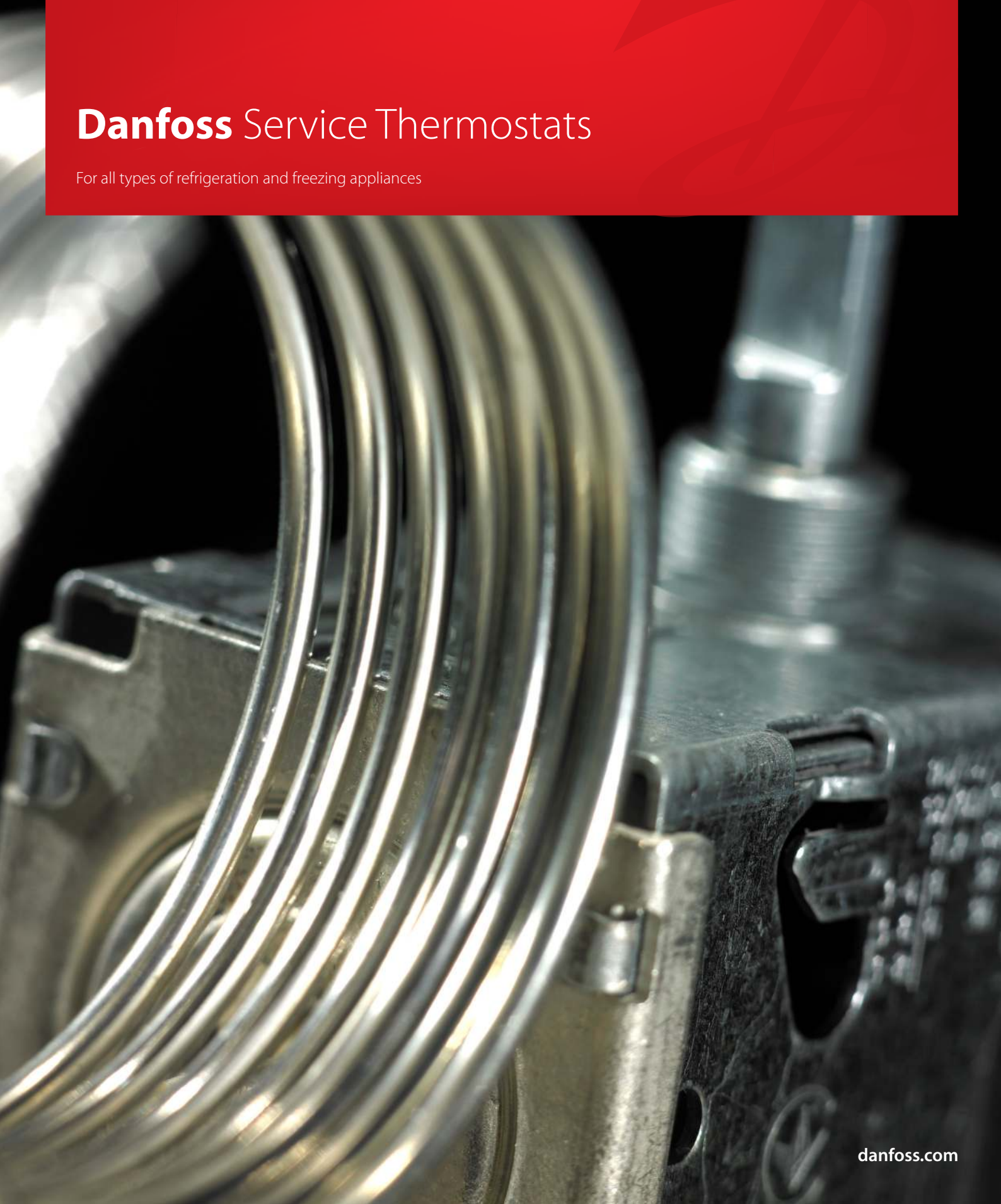


ENGINEERING
TOMORROW



Danfoss Service Thermostats

For all types of refrigeration and freezing appliances



Danfoss Service Thermostats - providing benefits to all

The Wholesaler

- Bar coded
- Logical numbering systems
- Easy stock control!

The Installer

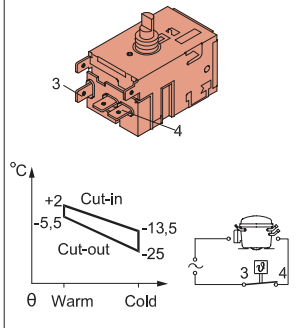
- Only 8 different kits
- Satisfies most applications
- Contains *all* necessary mounting accessories
- No time wasted!
- All marked with kit number (1-8)

End User

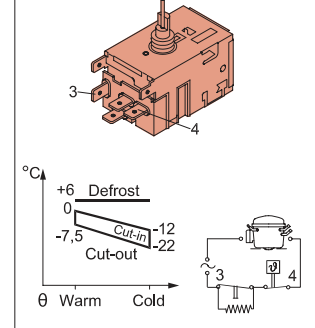
- Materials designed for recycling
- No CFC
- Environmentally friendly



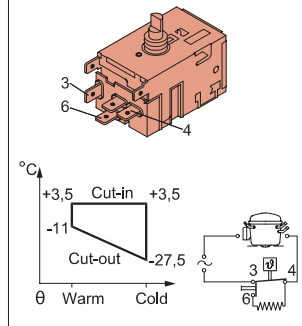
1 Refrigerators



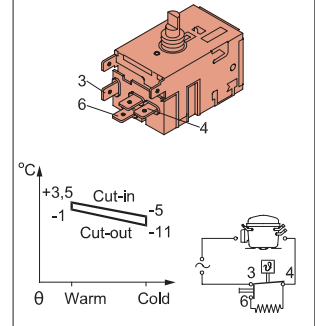
2 Refrigerators with push button defrost



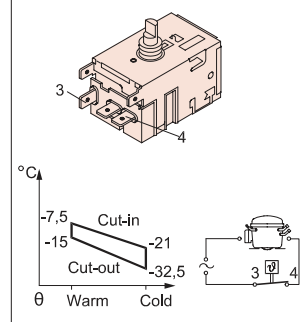
3 Refrigerators with automatic defrost



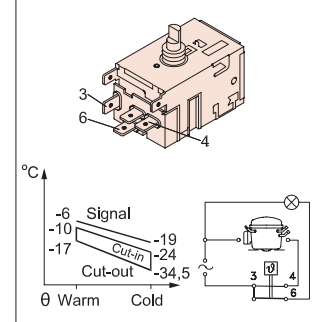
4 Absorption refrigerators



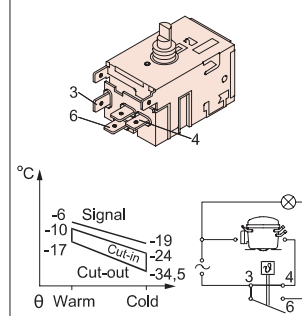
5 Ice-cream cabinets and freezers without signal



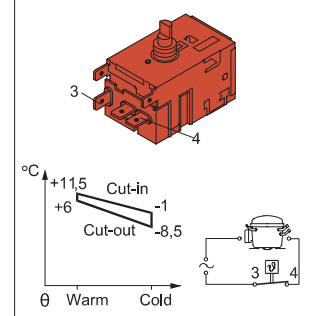
6 Freezers with active signal



7 Freezers with passive signal



8 Bottle and liquid coolers



Ordering and conversion table

Application	Temperatures [°C]				Accessories						Capillary tube length [m]	Remarks	Code no.
	Warm pos. cut-in/ cut out	Cold pos. cut-in/ cut out	Signal pos. warm	Defrosting	Washer	Small knob	Push button	Mounting bracket	Seal cap	Small parts			
Refrigerators	+2/-5.5	-13.5/-25			•	•		•		•	1.3		1 077B7001
Refrigerators with pushbutton defrost	0/-7.5	-12/-22		+6	•	•	•	•		•	1.3		2 077B7002
Refrigerators with automatic defrost	+3.5/-11	+3.5/-27.5			•	•		•		•	1.6	With auxiliary switch	3 077B7003
Absorption refrigerators	+3.5/-1	-5/-11			•	•		•		•	1.5	With auxiliary switch	4 077B7004
Ice-cream cabinets and freezers without signal	-7.5/-15	-21/-32.5				•		•	•	•	2.3		5 077B7005
Freezers with active signal	-10/-17	-24/-34.5	-6			•		•	•	•	2.3	With auxiliary switch	6 077B7006
Freezers with passive signal	-10/-17	-24/-34.5	-6			•		•	•	•	2.3	With passive signal	7 077B7007
Bottle and liquid coolers	+11.5/+6	-1/-8.5			•	•		•	•	•	2.0		8 077B7008

Application	Danfoss	Atea	General Electric	Ranco	Robertshaw	Matsushita	Sagimomiya	Pacific Controls	Code no.
Refrigerators	077B0	M2 N2 A01	3ART49R 3ART5	A10/VC1 A50/VK1 K50	RC31 RC-1	A-1-270	ARB/ATB	PFN	1 077B7001
Refrigerators with pushbutton defrost	077B4	S2		F50/VP4 K60	RC-0	A-3-8000	CRB	PFR	2 077B7002
Refrigerators with automatic defrost	077B6 077B62	C2 C3 C19 C28	3ART6 3ART29	A59/VT9 K59/VK9	RC35 RC-2 RC-9	A-2-3600	DRB	PFC	3 077B7003
Absorption refrigerators	077B02	A11	ART32	A13/VA2 K57	RC-6				4 077B7004
Ice-cream cabinets and freezers without signal	077B0 077B045	M2 N2	3ART49R 3ART5 3ART21	A10/VF3 A50 K50	RC31 RC34-1 RC-5			PFN	5 077B7005
Freezers with active signal	077B20	L3C L3A	3ART32 3ART7	A54/V55 A63 K54	RC5	A-7-8400			6 077B7006
Freezers with passive signal	077B30	L3C L3A	3ART32 3ART7	A54/VR6 A63 K54	RC5	A-7-8400			7 077B7007
Bottle and liquid coolers	077B0			VB7					8 077B7008

Danfoss Service Thermostats

For all types of refrigeration and freezing appliances



Always proved to be unique...

Eight Danfoss service packs are enough for thermostat servicing on all types of refrigeration and freezing appliances – and make spare parts catalogues, cross reference lists and temperature tables unnecessary.

The Service Thermostats and the necessary accessories are contained in practical boxes complete with electrical diagram and drawings of contents.

The Service Thermostats have a wider regulating range than the standard thermostats.

They enable servicing on all refrigerating and freezing appliances independent of the make of thermostats.

The Service Thermostats have differentials that ensure sufficient standstill. This means there is no risk of damaging the compressor.



The 077B...EBD, 077B...L EBD can be applied on systems with R290 and R600a as the working fluid.

For countries where safety standards are not an indispensable part of the safety system Danfoss recommend the installer to get a third party approval of the system containing flammable refrigerant.

Danfoss can accept no responsibility for possible errors in catalogues, brochures and other printed material. Danfoss reserves the right to alter its products without notice. This also applies to products already on order provided that such alterations can be made without subsequential changes being necessary in specifications already agreed. All trademarks in this material are property of the respective companies. Danfoss and the Danfoss logotype are trademarks of Danfoss A/S. All rights reserved.