



**DENALI AIRE™**

**OWNER'S MANUAL**

## **4" RECHARGEABLE USB CLIP FAN**

---



---

MODEL 1DAFD4R

# SAFETY

Read this Instruction manual carefully before assembling or operating the appliance and keep it for future reference.

## IMPORTANT SAFETY INFORMATION

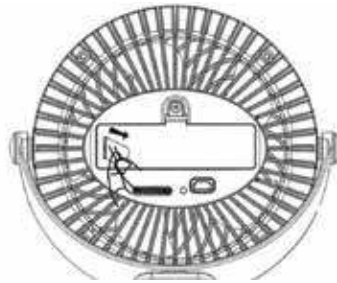
1. Do not use the appliance for other than its intended use.  
For domestic indoor use only.
2. Place the appliance on a flat, stable, heat-resistant surface. Operating the product in any other position could cause a hazard.
3. Never insert anything into the grill when the fan is switched on. Adults should pay special attention when using this fan close to children.
4. Never use this fan in hot or humid locations like a bathroom.
5. Never leave this fan close to curtains, drapes, plants, etc.
6. This appliance contains batteries which are not replaceable.
7. This appliance can be used by children aged from 8 years and above and persons with reduced physical, sensory or mental capabilities or lack of experience and knowledge if they have been given supervision or instruction concerning use of the appliance in a safe way and understand the hazards involved. Children shall not play with the appliance. Cleaning and user maintenance shall not be made by children without supervision.
8. This appliance must only be supplied at safety extra low voltage corresponding to the marking on the appliance.
9. Only to be used together with a USB connector or an IEC/EN certified power supply with up to 5V/1A at safety extra lower voltage.

**⚠ WARNING** Never use without the guards in place. After assembly, do not remove the guards during use or cleaning.

## FIRST TIME USE

There is a transparent activation tab fitted to the product.

Pull out the activation tab to connect the battery and start using the product



## TECHNICAL DATA

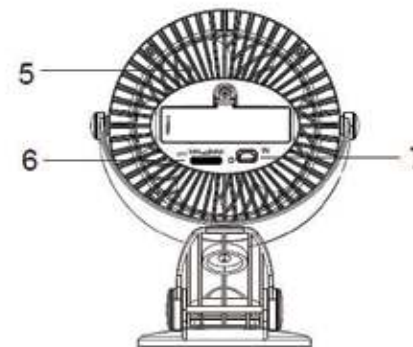
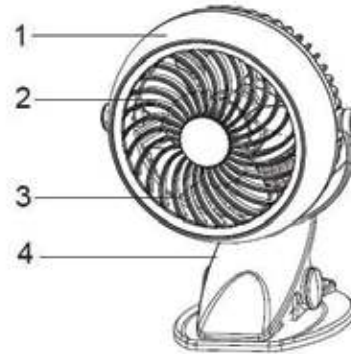
Battery: DC 3.7V, 1A 18650 1800mAh

Input: USB DC 5V, 1A

# PARTS / OPERATION

## PARTS DIAGRAM

1. Middle ring
2. Front safety guard
3. Blade
4. Clip
5. Rear safety guard
6. Switch
7. Inlet of micro-USB cord
8. USB cord



## OPERATION INSTRUCTIONS

### 1. RECHARGEABLE BATTERY

The USB cord (8) is used for battery charge. Plug the USB cord (8) to USB inlet (7), then connect to USB port on your computer or to the adapter with rated voltage output DC 5V 1A.

When the battery is charging the indicated light stays on.

When the battery is full the indicated light goes off.

### 2. MANUAL CONTROL

Put the fan on a dry, clean, non-slip and level surface. Ensure the stability of the device.

Rotate the switch (6) to "MAX" direction to turn on the fan, then you can adjust the fan speed by rotating the switch from MIN to MAX.

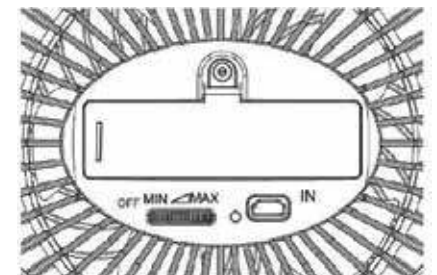
Rotate the switch to "MIN" direction to turn off the fan.

### 3. TILT ADJUSTABLE

The fan can be tilted in order to adjust the wind direction as desired.

### 4. CLIPPING INSTRUCTIONS

The clip (4) is designed to grip on flat objects between 0.25" and 1" thick. The fan is not designed for clipping on to cylindrical or tubular objects.



## MAINTENANCE AND CLEANING

---

Machines being used in areas with high particle pollution will need to be more frequently cleaned.

1. Switch off and unplug from the power supply before cleaning.
2. Using a soft, damp cloth, with or without mild soap solution, carefully clean the exterior surface of the product.

**⚠ CAUTION:** Allow the product to cool down before handling or cleaning it.

3. Do not allow water or other liquids run into the interior of the product, as this could create a fire and/or electrical hazard.
4. We also recommend the periodic cleaning of this appliance by lightly running a vacuum cleaner nozzle over the guards to remove any dust or dirt that may have accumulated inside or on the unit.

**⚠ CAUTION:** Do not use harsh detergents, chemical cleaners or solvents as they may damage the surface finish of the plastic components.

## BATTERY NOTICE

---

This appliance is supplied with a Li-ion battery 18650, Battery must be recycled or disposed properly. Check local authority regulations. Never incinerate or dispose batteries into a fire.

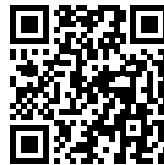
**NOTE:** Proof of purchase is required for all warranty claims.

**NOTE:** As a result of continual improvements, the design and specifications of the product within may differ slightly to the unit illustrated on the packaging.



DENALI AIRE™

5401 Dansher Road  
Countryside, IL 60525



**THANK  
YOU FOR  
YOUR  
PURCHASE!**

As a small  
business,  
reviews are  
everything!

888-433-6254 | [support@denali-aire.com](mailto:support@denali-aire.com) | [www.denali-aire.com](http://www.denali-aire.com)