

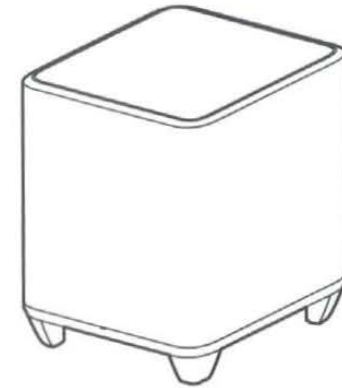
DENON®

DENON HOME SUBWOOFER
WIRELESS SUBWOOFER

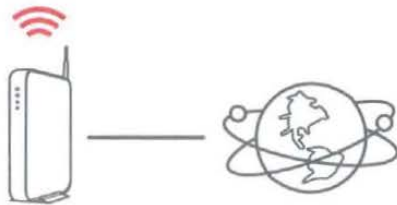
QUICK START GUIDE

BEFORE YOU BEGIN

The Denon Home Subwoofer is designed to be connected to Denon Home speakers and sound bars.



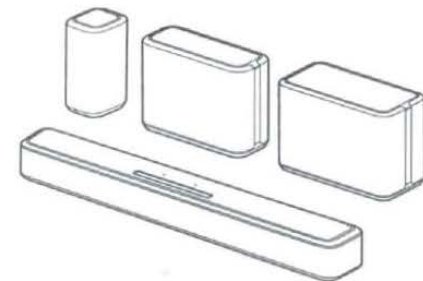
Make sure you have the following items in working order:



Wi-Fi router and Internet connection



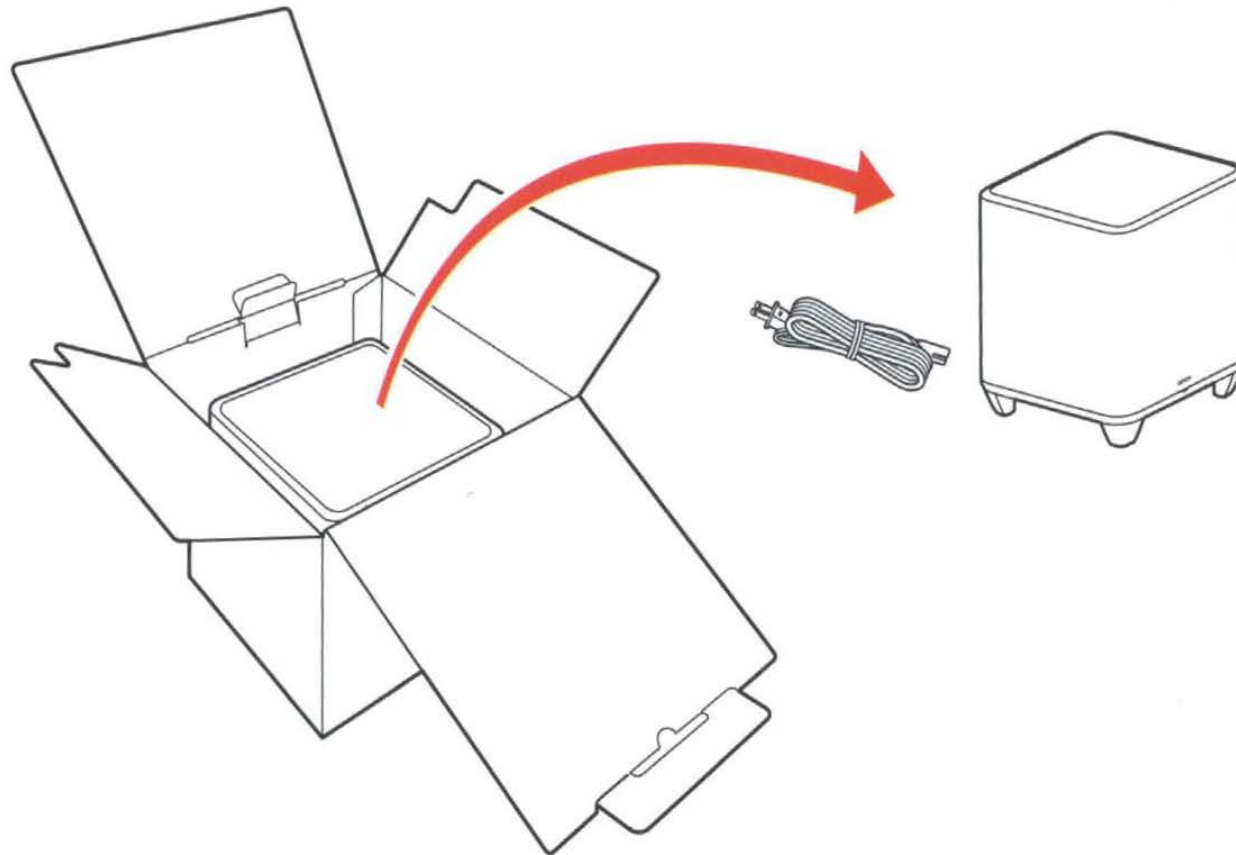
Apple iOS, Android or Kindle mobile device connected to your network



Other Denon Home speakers and sound bar

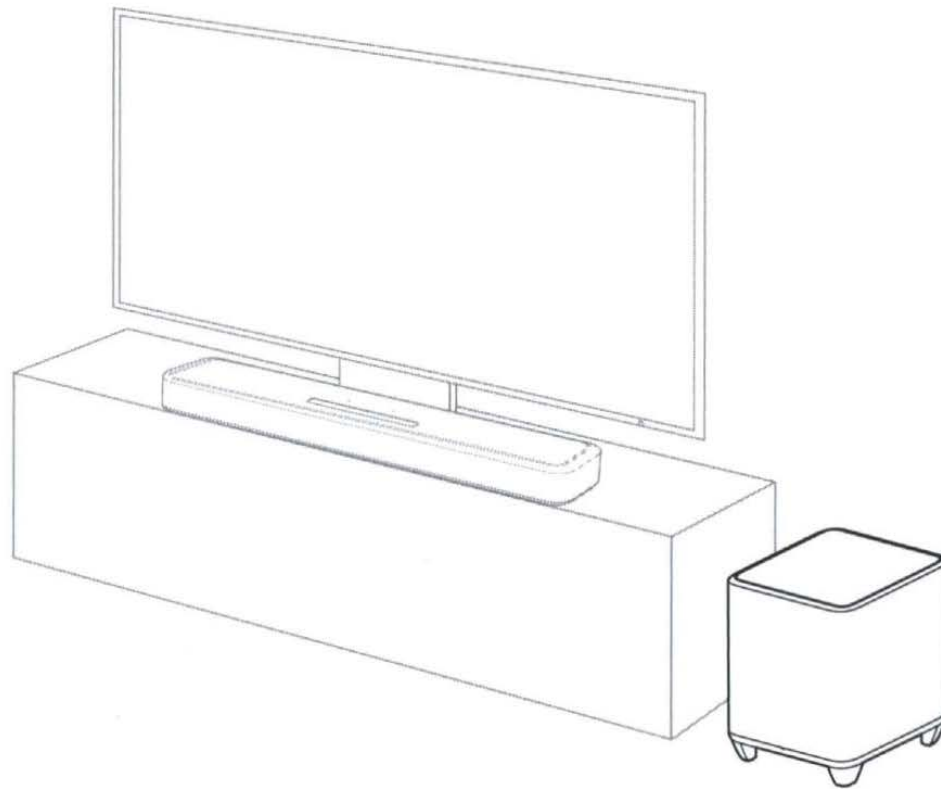
STEP 1: UNPACK

Remove the subwoofer and power cord from the box.

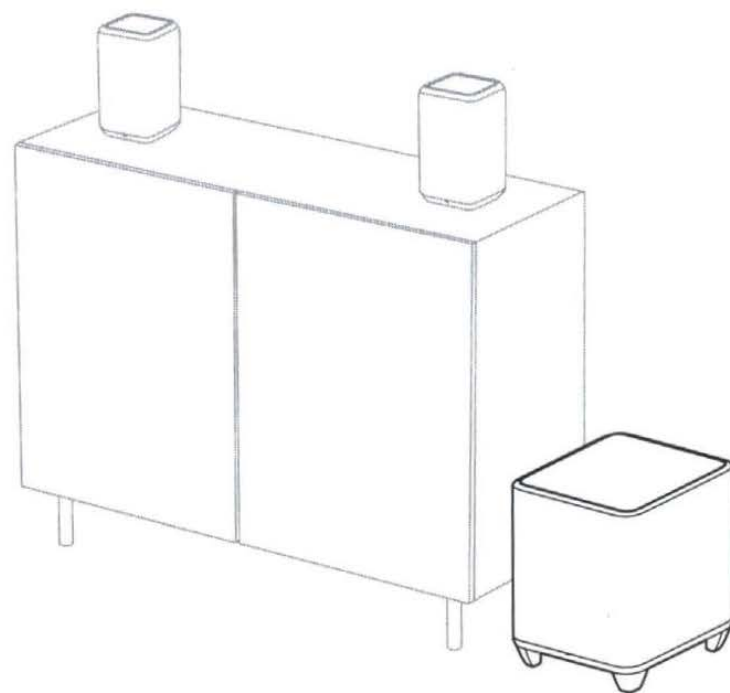


STEP 2: PLACE

Place the Denon Home Subwoofer in a convenient location in the same room as the other Denon Home speaker you wish to group the subwoofer with.



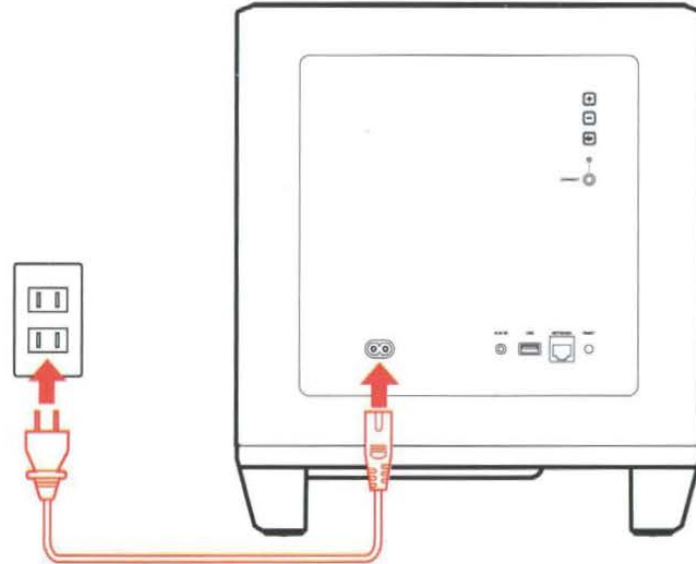
Denon Home sound bar + Denon Home Subwoofer



Denon Home speaker + Denon Home Subwoofer

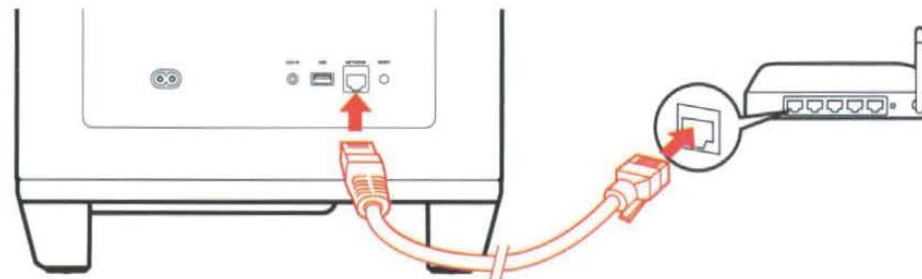
STEP 3: CONNECT

Connect the power cord to the Denon Home Subwoofer and a wall outlet.



OPTIONAL

If you are connecting the Denon Home Subwoofer to a wired network, connect an Ethernet cable (not included) between the Denon Home Subwoofer and your router. Do not connect the Ethernet cable if you are connecting your Denon Home Subwoofer to a wireless network.

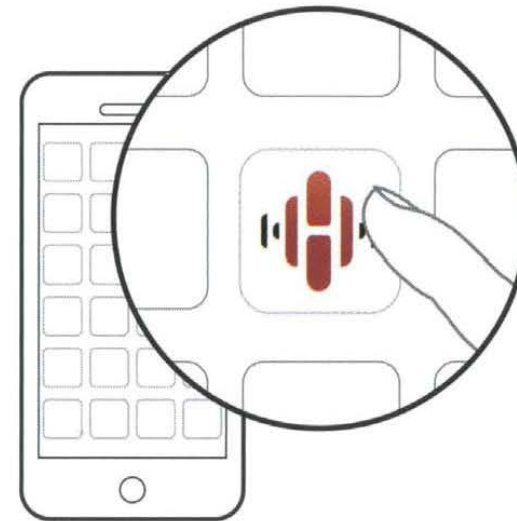


STEP 4: CONTROL

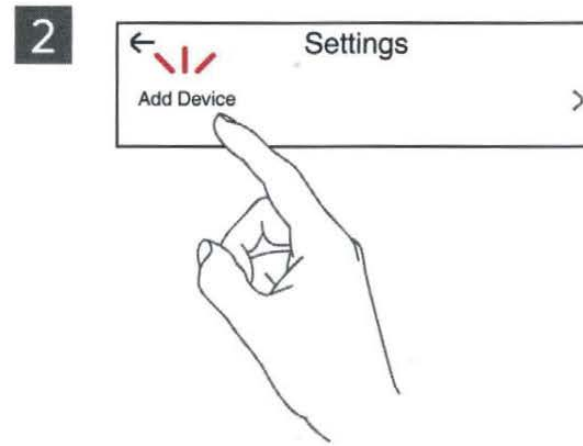
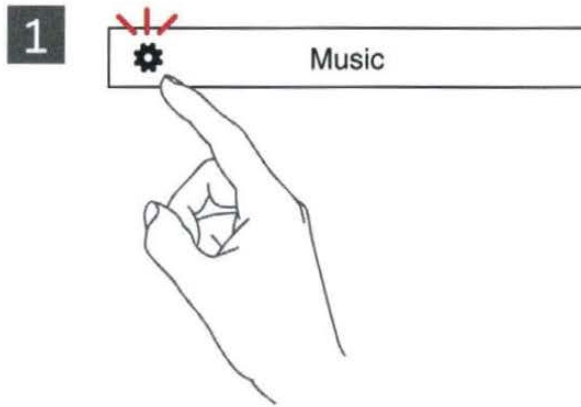
- 1** Download the HEOS app.
Go to the Apple App Store, Google Play or Amazon App Store and search for "HEOS" to download and install.



- 2** Launch the HEOS app and follow the instructions in the app to add the Denon Home Subwoofer to your network and then group your Denon Home Subwoofer with the desired Denon Home speaker.



STEP 5: ADD SPEAKER



ENJOY!

OWNER'S MANUAL

- Refer to the online manual to learn more about product features and get the most out of your new subwoofer.
manuals.denon.com/DenonHomeSubwoofer/EU/EN/
- For more information, visit www.denon.com



BASIC TROUBLESHOOTING

English

Français

Español

Comment

My subwoofer won't connect to my network

- Make sure your mobile device is connected to your wireless network before setting up your subwoofer.
- Alternately, you can connect your subwoofer to your network router using an Ethernet cable (not included). Once connected via Ethernet, the HEOS app should recognize the subwoofer and then you can manually connect it to your wireless network. To connect it to your wireless network, select **Settings > My Devices > [Device Name] > Advanced > NETWORK SETTINGS**.

Connecting to a network using WPS

- If your wireless router supports WPS (Wi-Fi Protected Setup™), you can connect the subwoofer to your network using the "Push Button" method as follows:
 1. Press the WPS button on your router.
 2. Within 2 minutes, press and hold the CONNECT button on the rear panel of the subwoofer for 5 seconds.
 3. The light on the front of the subwoofer will flash green for several seconds as it connects to your router.
 4. When the connection is complete, the light on the front of the subwoofer will turn solid blue.

Resetting your subwoofer

- Resetting your subwoofer will erase the wireless network settings, EQ, and name but retain the current software.
- To reset your subwoofer, press and hold the RESET button on the rear panel of the subwoofer for 5 seconds until the front light begins to flash amber.
- After the reset process, you must reconnect the subwoofer to your home network. To reconnect, select **Settings > Add Device** in the HEOS app.

The HEOS app and brand is not affiliated with any manufacturer of any mobile device.

HEOS and the HEOS logo are trademarks or registered trademarks in the US and/or other countries.

Apple and the Apple logo are trademarks of Apple Inc., registered in the U.S. and other countries. App Store is a service mark of Apple Inc.

Google Play is a trademark of Google Inc.

Amazon, Kindle, Echo, Alexa, Dash, Fire and all related logos are trademarks of Amazon.com, Inc. or its affiliates.

The Wi-Fi Protected Setup™ logo is a trademark of Wi-Fi Alliance.

All other trademarks are the property of their respective owners.

CONTACT Denon

For US & Canada only:

If you need further assistance with your Denon product, please contact Denon Customer Support Services:

Website www.denon.com

Telephone (855) 499 2820 (toll free)

DENON[®]

www.denon.com

Printed in Vietnam 5411 11938 00AD
©2021 Sound United. All Rights Reserved.
VQX1A2301Z



DENON HOME WIRELESS SUBWOOFER

Deep bass for home theater and music

The Denon Home Subwoofer easily connects via Wi-Fi to a Denon Home sound bar or any Denon Home speaker to add deep, powerful bass. Simply plug into wall power, connect, and play. It's compact enough to vanish in your room, but you won't be able to ignore the impact it'll have on your listening—and viewing.

HIGHLIGHTS

YOUR BENEFITS

Deep bass for home theater and music

Pairs with any Denon Home speaker or sound bar for a more impactful experience

8" subwoofer with a compact and stylish design

Perfectly complements the Denon Home range with the same premium look

Compact size

At just 13" W x 14.5" H x 13" D, the Denon Home Subwoofer seamlessly blends in with your interior

Easy setup

Just plug the Denon Home Subwoofer into a wall outlet, then pair with your Denon Home products wirelessly through Wi-Fi—no speaker cables needed

Complete control

Within the HEOS app, you will find advanced settings to perfectly adjust the Denon Home Subwoofer to your system

Build a true surround sound experience

Connect with a Denon Home sound bar and two Denon Home speakers for a full 5.1 surround set

SINCE 1910 | DEFINING AUDIO EXCELLENCE





Pairs with any Denon Home speaker or sound bar

The Denon Home Subwoofer can be combined with any Denon Home sound bar and Denon Home speaker to add deep bass for home theater and music.

8" subwoofer with a compact and stylish design

With the renowned Denon Home look, it's compact enough to vanish in your room, but you won't be able to ignore the impact it'll have on your listening—and viewing.

Build a true surround sound experience

With HEOS Built-in, it's easy to add a Denon Home Subwoofer wirelessly to your Denon Home sound bar and a pair of Denon Home speakers to create a true 5.1 surround sound experience.

Complete control

Within the HEOS app, you will find advanced settings for volume, low pass filter, and phase (0/180°). Plus, the Denon Home Subwoofer adapts automatically to configurations integrated in the Denon Home product line.

Easy setup

Just plug the Denon Home Subwoofer into a wall outlet, then pair with your Denon Home products wirelessly through Wi-Fi. With no cables needed to connect to other speakers, it's never been quicker.

Amazing sound built on over 110 years of innovation

As Japan's first audio electronics manufacturer with a deep legacy of firsts, Denon is the defining audio company of Japan. Founded in 1910, we enable the moments that matter through the relentless pursuit of quality, innovation, and audio performance. We innovate for a better experience.

Blends in beautifully with your interior

With the renowned Denon Home look and compact design, the Denon Home Subwoofer is ready to fit in with virtually any décor.

USB drives supported

Denon Home Subwoofer supports USB thumb drives via the built-in USB port. Music content on a USB drive can be accessed and played back by any HEOS Built-in product in the same home network.

Wireless connection

Connect to your wireless network quickly and easily. Denon Home Subwoofer supports the latest 802.11 networks (including dual band "n", "ac") for the most reliable network connection.

Wired connection

Connect to your home or office LAN system via the RJ-45 wired LAN port.

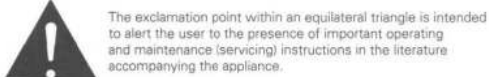
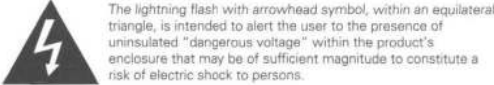
Technical Information		Controls	
Dimensions (W x H x D)	330 x 373 x 330mm 13" x 14.5" x 13"	Power supply	120 Volts AC, 60 Hz
Weight	27.5lbs, 12.5kg	Controls and indicators	Volume Up(+) Volume Down(-) Mute Mute LED indicator
Product finish	Black	What's in the box	
Wireless Technology		Denon Home Subwoofer	x 1
Wi-Fi	WiFi 2.4 GHz IEEE 802.11b/g/n WiFi 5 GHz IEEE 802.11a/n/ac	AC power cord	x 1
HEOS Built-in	Yes	Quick Start Guide	x 1
		Safety instructions	x 1

Safety Instructions (Read these safety instructions before operating the unit.)

SAFETY PRECAUTIONS



CAUTION:
TO REDUCE THE RISK OF ELECTRIC SHOCK, DO NOT REMOVE COVER (OR BACK). NO USER-SERVICEABLE PARTS INSIDE. REFER SERVICING TO QUALIFIED SERVICE PERSONNEL.



WARNING:
TO REDUCE THE RISK OF FIRE OR ELECTRIC SHOCK, DO NOT EXPOSE THIS APPLIANCE TO RAIN OR MOISTURE.

IMPORTANT SAFETY INSTRUCTIONS

1. Read these instructions.
2. Keep these instructions.
3. Heed all warnings.
4. Follow all instructions.
5. Do not use this apparatus near water.
6. Clean only with dry cloth.
7. Do not block any ventilation openings.

Install in accordance with the manufacturer's instructions.

8. Do not install near any heat sources such as radiators, heat registers, stoves, or other apparatus (including amplifiers) that produce heat.
9. Do not defeat the safety purpose of the polarized plug. A polarized plug has two blades with one wider than the other. If the provided plug does not fit into your outlet, consult an electrician for replacement of the obsolete outlet.
10. Protect the power cord from being walked on or pinched particularly at plugs, convenience receptacles, and the point where they exit from the apparatus.
11. Only use attachments/accessories specified by the manufacturer.
12. Use only with the cart, stand, tripod, bracket, or table specified by the manufacturer, or sold with the apparatus. When a cart is used, use caution when moving the cart/apparatus combination to avoid injury from tip-over.
13. Unplug this apparatus during lightning storms or when unused for long periods of time.
14. Refer all servicing to qualified service personnel. Servicing is required when the apparatus has been damaged in any way, such as power-supply cord or plug is damaged, liquid has been spilled or objects have fallen into the apparatus, the apparatus has been exposed to rain or moisture, does not operate normally, or has been dropped.
15. Batteries shall not be exposed to excessive heat such as sunshine, fire or the like.



D&M Holdings Inc.
2-1 Nissin-cho, Kawasaki-ku, Kawasaki, Kanagawa, 210-8569 Japan

EU Importer: D&M Europe B.V.
Beemdstraat 11, 5653 MA Eindhoven, The Netherlands
EU declaration of conformity URL:
<http://manuals.denon.com/CEdeclaration/>

UK Importer: D+M Audiovisual Ltd
Cells 1 & 2 Kopshop 6 Old London Road Kingston Upon Thames KT2
6QF UK

UKCA declaration of conformity URL:
<http://manuals.denon.com/CEdeclaration/>

WARNINGS

NOTES ON USE

- Avoid high temperatures.
Allow for sufficient heat dispersion when installed in a rack.
- Handle the power cord carefully.
Hold the plug when unplugging the cord.
- Keep the unit free from moisture, water, and dust.
- Unplug the power cord when not using the unit for long periods of time.
- Do not obstruct the ventilation holes.
- Do not let foreign objects into the unit.
- Do not let insecticides, benzene, and thinner come in contact with the unit.
- Never disassemble or modify the unit in any way.
- Ventilation should not be impeded by covering the ventilation openings with items, such as newspapers, tablecloths or curtains.
- Naked flame sources such as lighted candles should not be placed on the unit.
- Observe and follow local regulations regarding battery disposal.
- Do not expose the unit to dripping or splashing fluids.
- Do not place objects filled with liquids, such as vases, on the unit.
- Do not handle the mains cord with wet hands.
- When the switch is in the OFF (STANDBY) position, the equipment is not completely switched off from MAINS.
- The equipment shall be installed near the power supply so that the power supply is easily accessible.
- Do not keep the battery in a place exposed to direct sunlight or in places with extremely high temperatures, such as near a heater.
- Do not bend forcibly the plug on the equipment or the connection between the connector and micro USB/USB cable.

(Only amplifier)



Hot surface mark

CAUTION:
HOT SURFACE. DO NOT TOUCH.

The top surface over the internal heat sink may become hot when operating this product continuously. Do not touch hot areas, especially around the "Hot surface mark" and the top panel.

CAUTION:

To completely disconnect this product from the mains, disconnect the plug from the wall socket outlet.

The mains plug is used to completely interrupt the power supply to the unit and must be within easy access by the user.

CAUTION:

To prevent electric shock hazard, do not connect to mains power supply while grille is removed.



DECLARATION OF CONFORMITY

Hereby, [D&M Holdings Inc.] declares that our product is in compliance with following EU/EC Directives. The full text of the EU declaration of conformity is available at the following internet address:

ErP: EC regulation 1275/2008 and its frame work directive 2009/125/EC including amendment 801/2013

RoHS: 2011/65/EU, and amendment directive (EU) 2015/863

RE: 2014/53/EU



DECLARATION OF CONFORMITY (For UK customers)

Hereby, [D&M Holdings Inc.] declares that our product is in compliance with following UK regulations. The full text of the UKCA declaration of conformity is available at the following internet address:

<UKCA Regulations>

• Radio Equipment regulation 2017

• The Restriction of the Use of Certain Hazardous Substances in

Electrical and Electronic Equipment Regulations 2012

• Eco design for Energy-Related Products Regulations 2010



A NOTE ABOUT RECYCLING:

This product's packaging materials are recyclable and can be reused. Please dispose of any materials in accordance with the local recycling regulations.

When discarding the unit, comply with local rules or regulations. Batteries should never be thrown away or incinerated but disposed of in accordance with the local regulations concerning battery disposal.

This product and the supplied accessories, excluding the batteries, constitute the applicable product according to the WEEE directive.



Pb

Cautions on installation

- * For proper heat dispersal, do not install this unit in a confined space, such as a bookcase or similar enclosure.
 - Amplifier: 0.3 m or more
 - Other units: 0.1 m or more

Vorsichtshinweise zur aufstellung

- * Stellen Sie das Gerat nicht an einem geschlossenen Ort, wie in einem Bucherregal oder einer ahnlichen Einrichtung auf, da dies eine ausreichende Beluftung des Gerats behindern konnte.
 - Verstarker: mindestens 0,3 m
 - Andere Gerate: mindestens 0,1 m

Notes on Radio

USA CANADA

<input type="checkbox"/> FCC Information (For US customers)
1. COMPLIANCE INFORMATION <ul style="list-style-type: none">• Product Name: Wireless Subwoofer• Model Number: DENON HOME SUBWOOFER• CONTAINS TRANSMITTER MODULE FCC ID: MBBVOP13082E This product complies with Part 15 of the FCC Rules. Operation is subject to the following two conditions: (1) this product may not cause harmful interference, and (2) this product must accept any interference received, including interference that may cause undesired operation.
Sound United, LLC 8541 Fermi Court Carlsbad, CA 92008, USA Tel. (800) 377-7655
2. IMPORTANT NOTICE: DO NOT MODIFY THIS PRODUCT This product, when installed as indicated in the instructions contained in this manual, meets FCC requirements. Modification not expressly approved by Denon may void your authority, granted by the FCC, to use the product.
3. IMPORTANT (For Network) When connecting this product to network hub or router, use only a shielded STP or ScTP LAN cable which is available at retailer. Follow all installation instructions. Failure to follow instructions could void your authority, granted by the FCC, to use the product.
4. CAUTION (For Bluetooth/Wi-Fi) <ul style="list-style-type: none">• To comply with FCC RF exposure compliance requirement, separation distance of at least 20 cm must be maintained between this product and all persons.• This product and its antenna must not be co-located or operating in conjunction with any other antenna or transmitter.• 5.15 - 5.25 GHz band is restricted to indoor operations only.
5. NOTE This product has been tested and found to comply with the limits for a Class B digital device, pursuant to Part 15 of the FCC Rules. These limits are designed to provide reasonable protection against harmful interference in a residential installation. This product generates, uses and can radiate radio frequency energy and, if not installed and used in accordance with the instructions, may cause harmful interference to radio communications. However, there is no guarantee that interference will not occur in a particular installation. If this product does cause harmful interference to radio or television reception, which can be determined by turning the product OFF and ON, the user is encouraged to try to correct the interference by one or more of the following measures: <ul style="list-style-type: none">• Reorient or relocate the receiving antenna.• Increase the separation between the equipment and receiver.• Connect the product into an outlet on a circuit different from that to which the receiver is connected.• Consult the local retailer authorized to distribute this type of product or an experienced radio/TV technician for help.

<input type="checkbox"/> INFORMATION FCC (Pour la clientèle étasunienne)
1. INFORMATIONS DE CONFORMITE <ul style="list-style-type: none">• Nom du produit : Caisson de basses sans fil• Numéro de modèle : DENON HOME SUBWOOFER• CONTIENT MODULE ÉMETTEUR FCC ID : MBBVOP13082E Ce produit est conforme à la section 15 du règlement FCC. L'utilisation est soumise aux deux conditions suivantes : (1) ce produit ne provoque pas d'interférences nocives et (2) ce produit doit accepter toute interférence, y compris les interférences pouvant entraîner un fonctionnement non souhaitable.
Sound United, LLC 8541 Fermi Court Carlsbad, CA 92008, USA Tel. (800) 377-7655
2. REMARQUE IMPORTANTE : NE PAS MODIFIER CE PRODUIT Ce produit, lorsqu'il est installé comme indiqué dans les instructions de ce manuel, est conforme aux normes FCC. Les modifications qui ne sont pas expressément approuvées par Denon peuvent annuler l'autorisation FCC à utiliser le produit.
3. IMPORTANT (Pour réseau) Lors du branchement de ce produit à un routeur ou à un concentrateur réseau, n'utilisez qu'un câble STP ou ScTP LAN blindé (disponible chez un détaillant). Suivre toutes instructions d'installation. Dans le cas contraire, cela pourrait annuler l'autorisation FCC à utiliser cet appareil.
4. PRÉCAUTION (Pour Bluetooth/Wi-Fi) <ul style="list-style-type: none">• Afin de répondre aux exigences de conformité FCC sur l'exposition aux RF, une distance d'au moins 20 cm doit être maintenue entre cet appareil et toutes les personnes.• Cet appareil ainsi que son antenne ne doivent pas se trouver à proximité immédiate, ni être utilisés en association avec une autre antenne ou un autre émetteur.• La bande 5,15 - 5,25 GHz est limitée uniquement à une utilisation en intérieur.
5. NOTE Ce produit a été testé et il est conforme aux limitations des dispositifs numériques de Class B, en vertu de la section 15 du règlement FCC. Ces limitations sont conçues pour fournir une protection raisonnable contre les interférences nocives sur une installation résidentielle. Ce produit génère, utilise et émet de l'énergie de radiofréquence et s'il n'est pas installé et utilisé conformément aux instructions, il peut entraîner des interférences néfastes avec les communications radio. Toutefois, nous ne pouvons pas garantir l'absence d'interférence avec certaines installations. En cas d'interférences néfastes sur la réception de la radio ou de la télévision provoquées par cet appareil, survenant au moment de l'activation ON ou de la désactivation OFF, nous conseillons à l'utilisateur d'essayer de corriger l'interférence comme suit : <ul style="list-style-type: none">• Réorienter ou déplacer l'antenne.• Augmenter la distance entre l'équipement et le récepteur.• Connecter l'appareil à la prise murale d'un circuit différent de celui du récepteur.• Consulter un revendeur local agréé pour la distribution de ce type de produit ou un technicien radio/TV expérimenté.

<input type="checkbox"/> IC Information (For Canadian customers)
1. PRODUCT CONTAINS TRANSMITTER MODULE IC: 11657A-VOP13082E This product complies with RSS rules of Industry Canada. Operation is subject to the following two conditions: (1) this product may not cause harmful interference, and (2) this product must accept any interference received, including interference that may cause undesired operation. This Class B digital apparatus complies with Canadian ICES-003.
2. CAUTION To reduce potential radio interference to other users, the antenna type and its gain should be so chosen that the equivalent isotropically radiated power (e.i.r.p.) is not more than that permitted for successful communication: <ul style="list-style-type: none">(i) the device for operation in the band 5,150 - 5,250 MHz is only for indoor use to reduce the potential for harmful interference to co-channel mobile satellite systems.(ii) high power radars are allocated as primary users (i.e. priority users) of the bands 5,250 - 5,350 MHz and 5,650 - 5,850 MHz and that these radars could cause interference and/or damage to LE-LAN devices.
<input type="checkbox"/> Informations sur IC (pour les clients canadiens)
1. APPAREIL CONTIENT MODULE ÉMETTEUR IC : 11657A-VOP13082E Cet appareil est conforme à la norme règles CNR du Canada. L'utilisation de ce dispositif est autorisée seulement aux deux conditions suivantes : (1) il ne doit pas produire de brouillage, et (2) l'utilisateur du dispositif doit être prêt à accepter tout brouillage radioélectrique reçu, même si ce brouillage est susceptible de compromettre le fonctionnement du dispositif. Cet appareil numérique de la classe B est conforme à la norme NMB-003 du Canada.
2. ATTENTION Afin de réduire le risque d'interférence aux autres utilisateurs, il faut choisir le type d'antenne et son gain de façon à ce que la puissance isotrope rayonnée équivalente (p.i.r.e.) ne soit pas supérieure au niveau requis pour l'obtention d'une communication satisfaisante. <ul style="list-style-type: none">(i) les dispositifs fonctionnant dans la bande 5 150 - 5 250 MHz sont réservés uniquement pour une utilisation à l'intérieur afin de réduire les risques de brouillage préjudiciable aux systèmes de satellites mobiles utilisant les mêmes canaux.(ii) De plus, les utilisateurs devraient aussi être avisés que les utilisateurs de radars de haute puissance sont désignés utilisateurs principaux (i.e. d., qu'ils ont la priorité) pour les bandes 5 250 - 5 350 MHz et 5 650 - 5 850 MHz et que ces radars pourraient causer du brouillage et/ou des dommages aux dispositifs LAN-EI.
For Canadian customers/Pour les clients canadiens : CAN ICES-3(B)/NMB-3(B) "for indoor use only"

<input type="checkbox"/> RF Exposure Information
This equipment complies with FCC/IC radiation exposure limits set forth for an uncontrolled environment and meets the FCC radio frequency (RF) Exposure Guidelines in Supplement C to OET65 and RSS-102 of the IC radio frequency (RF) Exposure rules. This equipment has very low levels of RF energy that are deemed to comply without testing of specific absorption ratio (SAR).
This equipment should be installed and operated with minimum distance 20 cm between the radiator and your body.
Cet équipement est conforme aux normes d'exposition aux radiations FCC/IC définies pour un environnement non contrôlé et satisfait les directives d'exposition à la radiofréquence (RF) dans le supplément C des OET65 et RSS-102 des règles d'exposition à la fréquence radio (RF) IC. Cet équipement a de très faibles niveaux d'énergie RF qui sont jugés conformes sans test de taux d'absorption spécifique (SAR).
Cet équipement doit être installé et utilisé avec une distance minimale de 20 cm entre le radiateur et votre corps.

[ENGLISH]**1. DECLARATION OF CONFORMITY**

Hereby, [D&M Holdings Inc.] declares that our product is in compliance with following EU/EC Directives. The full text of the EU declaration of conformity is available at the following internet address:

2. IMPORTANT NOTICE: DO NOT MODIFY THIS PRODUCT

This product, when installed as indicated in the instructions contained in this manual, meets RE directive requirements. Modification of the product could result in hazardous Radio and EMC radiation.

3. CAUTION

Separation distance of at least 20 cm must be maintained between this product and all persons.

This product and its antenna must not be co-located or operating in conjunction with any other antenna or transmitter.

[DEUTSCH]**1. ÜBEREINSTIMMUNGSERKLÄRUNG**

Hiermit erklärt [D&M Holdings Inc.], dass unser Produkt der, dass die folgenden EU/EC-Richtlinien entspricht. Der vollständige Text der EU-Konformitätserklärung ist unter der folgenden Internetadresse verfügbar:

2. WICHTIGER HINWEIS: NEHMEN SIE KEINE VERÄNDERUNGEN AN DIESEM PRODUKT VOR

Wenn dieses Produkt entsprechend dieser Bedienungsanleitung aufgebaut wird, entspricht es den Anforderungen der RE-Richtlinie. Veränderungen am Produkt können zu gefährlicher Funk- und EMV-Strahlung führen.

3. VORSICHT

Zwischen dieses Produkts und Personen muss ein Schutzabstand von 20 cm eingehalten werden.

Dieses Produkt und seine Antenne dürfen nicht neben anderen Antennen oder Sendern aufgestellt oder zusammen mit ihnen verwendet werden.

[FRANÇAIS]**1. DECLARATION DE CONFORMITE**

Le soussigné, [D&M Holdings Inc.], déclare que notre produit est conforme à la directive UE/CE. Le texte complet de la déclaration UE de conformité est disponible à l'adresse internet suivante :

2. MISE EN GARDE IMPORTANTE : NE JAMAIS MODIFIER CE PRODUIT

Si toutes les consignes indiquées dans ce mode ont été respectées pendant son installation, ce produit est conforme aux directives RE. Toute modification du produit risquerait alors de générer des radiations radio et EMC dangereuses.

3. ATTENTION

L'appareil devra être située à une distance de 20 cm au moins des personnes.

Ce produit ainsi que son antenne ne devront en aucun cas être utilisés à proximité d'une autre antenne ou transmetteur.

[ITALIANO]**1. DICHIARAZIONE DI CONFORMITÀ**

Il fabbricante, [D&M Holdings Inc.], dichiara che il nostro prodotto è conforme alla direttiva UE/CE. Il testo completo della dichiarazione di conformità UE è disponibile al seguente indirizzo Internet:

2. AVVERTENZA IMPORTANTE: NON MODIFICARE QUESTO PRODOTTO

Se installato come indicato nelle istruzioni del presente manuale, questo prodotto soddisfa i requisiti della direttiva RE. Eventuali modifiche apportate al prodotto potrebbero causare pericolose radiazioni radio ed EMC.

3. ATTENZIONE

È necessario mantenere una distanza minima di 20 cm tra questo prodotto e le persone.

Questo prodotto e la relativa antenna non devono essere posizionati in prossimità di altre antenne o trasmettitori e non devono essere utilizzati congiuntamente a questi ultimi.

[ESPAÑOL]**1. DECLARACIÓN DE CONFORMIDAD**

Por la presente, [D&M Holdings Inc.], declara que nuestro producto es conforme con la Directiva UE/CE. El texto completo de la declaración UE de conformidad está disponible en la dirección Internet siguiente:

2. NOTA IMPORTANTE: NO MODIFIQUE ESTE PRODUCTO

Este producto, si es instalado de acuerdo con las instrucciones contenidas en este manual, cumple los requisitos de la directiva RE. La modificación del producto puede producir radiación de Radio y EMC peligrosa.

3. PRECAUCIÓN

Se debe mantener una separación de al menos 20 cm del producto y las personas.

Este producto y su antena no debe instalarse ni utilizarse conjuntamente con otra antena o transmisor.

[NEDERLANDS]**1. EENVORMIGHEIDSVERKLARING**

Hierbij verklaar ik, [D&M Holdings Inc.], dat ons product conform is met Richtlijn EU/EG. De volledige tekst van de EU-conformiteitsverklaring kan worden geraadpleegd op het volgende internetadres:

2. BELANGRIJKE MEDEDELING: BRENG AAN DIT PRODUCT GEEN AANPASSINGEN AAN

Dit product, indien geïnstalleerd volgens de aanwijzingen in deze gebruiksaanwijzing, voldoet aan de vereisten van de RE-richtlijn. Aanpassing van dit product kan gevaarlijke radio- en EMC-straling tot gevolg hebben.

3. LET OP

Houd tussen en personen altijd een afstand van tenminste 20 cm aan.

Dit product en zijn antenne mogen niet in de buurt van een andere antenne of zender worden geplaatst of in combinatie daarmee worden gebruikt.

[SVENSKA]**1. ÖVERENSSTÄMMELSEINTYG**

Härmed försäkras [D&M Holdings Inc.], att vår produkt överensstämmer med direktiv EU/EC. Den fullständiga texten till EU-försäkran om överensstämmelse finns på följande webbadress:

2. VIKTIGT: APPARATEN FÅR INTE MODIFIERAS

Under förutsättning att apparaten installeras enligt anvisningarna i denna bruksanvisning, uppfyller denna kraven i RE-direktivet. Ev. modifiering av apparaten kan resultera i farlig radio- och elektromagnetisk strålning.

3. FÖRSIKTIGT

Se till att det finns ett avstånd på minst 20 cm mellan apparatens och personer i omgivningen.

Apparaten och dess antenn får inte placeras eller användas i närheten av andra antenner eller sändare.

[РУССКИЙ]**1. СЕРТИФИКАТ СООТВЕТСТВИЯ**

Настоящим, [D&M Holdings Inc.], заявляет, что наш продукт соответствует Директиве EU/EC. Полный текст декларации соответствия ЕС можно получить по следующему интернет-адресу:

2. ВАЖНО! НЕ ИЗМЕНЯЙТЕ ДАННЫЙ ПРОДУКТ

Продукт, установленный согласно инструкциям в настоящем руководстве, отвечает требованиям директивы RE. Изменение продукта может привести к появлению опасного электромагнитного излучения.

3. ПРЕДУПРЕЖДЕНИЕ

Не приближайтесь к данному изделия ближе, чем на 20 см. Запрещается использовать данный продукт и антенну с другой антенной или передатчиком.

[POLSKI]**1. DEKLARACJA ZGODNOŚCI**

[D&M Holdings Inc.], niniejszym oświadcza, że nasz produkt jest zgodny z dyrektywą UE/WE. Pełny tekst deklaracji zgodności UE jest dostępny pod następującym adresem internetowym:

2. UWAGA: MODYFIKACJA TEGO URZĄDZENIA JEST ZABRONIONA

Po zainstalowaniu zgodnie z instrukcjami zawartymi w niniejszej instrukcji obsługi urządzenie to będzie spełniać wymogi dyrektywy RE. Wprowadzanie modyfikacji do tego urządzenia może skutkować powstaniem niebezpiecznego promieniowania elektromagnetycznego oraz radiowego.

3. OSTRZEŻENIE

Między tego produktu i wszelkimi osobami musi być zachowana odległość przynajmniej 20 cm.

Urządzenie wraz z anteną nie można instalować w połączeniu z inną anteną lub nadajnikiem.

COMPLIANCE INFORMATION

- **Product Name: Wireless Subwoofer**
- **Model Number: DENON HOME SUBWOOFER**

<EU/EC Directives.>

RE: 2014/53/EU

<EU declaration of conformity URL:

<http://manuals.denon.com/CEdeclaration/>>

D&M Holdings Inc.

2-1 Nissin-cho, Kawasaki-ku, Kawasaki, Kanagawa, 210-8569 Japan

EU importer: D&M Europe B.V.

Beemdstraat 11, 5653 MA Eindhoven, The Netherlands

**UK
CA**

UKCA DECLARATION OF CONFORMITY

Hereby, [D&M Holdings Inc.] declares that our product is in compliance with Radio Equipment Regulation 2017 of UK regulations. The full text of the UKCA declaration of conformity is available at the following internet address:

<UKCA declaration of conformity URL:

<http://manuals.denon.com/CEdeclaration/>>

UK Importer: D+M Audiovisual Ltd
Cells 1 & 2 Kopshop 6 Old London Road
Kingston Upon Thames KT2 6QF UK

[ENGLISH]

5,150 – 5,350 MHz is restricted to indoor use only

[DEUTSCH]

5,150 – 5,350 MHz darf nur in geschlossenen Räumen verwendet werden

[FRANÇAIS]

5,150 – 5,350 MHz est limité à une utilisation en intérieur uniquement

[ITALIANO]

La frequenza 5,150 – 5,350 MHz è limitata al solo uso interno

[ESPAÑOL]

5,150 – 5,350 MHz está restringido al uso en interiores solamente

[NEDERLANDS]

5,150 – 5,350 MHz is beperkt tot alleen binnenshuis gebruik

[SVENSKA]

5,150 – 5,350 MHz är begränsat till inomhusbruk

[PYCCКИЙ]

5150 – 5350 МГц ограничивается использованием только в помещении

[POLSKI]

5 150 – 5 350 MHz to częstotliwość ograniczona do użytkowania jedynie w pomieszczeniach

Radio Specification (for Europe model)

Type	Frequency Range	Max. RF Power
WLAN (2.4GHz)	2,400 - 2,483.5 MHz	20 dBm
WLAN (5GHz/W52)	5,150 - 5,250 MHz	23 dBm
WLAN (5GHz/W53)	5,250 - 5,350 MHz	23 dBm
WLAN (5GHz/W56)	5,470 - 5,725 MHz	30 dBm
WLAN (5GHz/W58)	5,725 - 5,875 MHz	25 mW e.i.r.p.(14dBm)
Wireless Module	2,400 - 2,483.5 MHz	20 dBm

Note: The above specification is based on the RE Directive.

There is a possibility to varies by countries.



UK	DE	FR	IT
ES	NL	SE	PL



**Congratulations on purchasing this Denon product!
We invite you to join the Denon Owner's Club.**

Thank you for choosing Denon.
Be the first to know about upcoming Denon products and get exclusive previews of new technologies. You will also receive members only offers from our online store and be the first in line for all promotions and contests.
<http://usa.denon.com/ownersclub>

Join today!

Please register your product at,

**USA Customers : <http://usa.denon.com/register>
Canada Customers : <http://ca.denon.com/register>**

Denon Factory Service Information

USA

DENON FACTORY SERVICE by PANURGY OEM

701 Ford Road (South Dock)
Rockaway, NJ 07866-2053
(973) 625-4056
(973) 625-9489 Fax
<http://www.panurgoem.com/Denon/Denonrepair.html>

To locate an authorized warranty service center within your area please visit our web site at
<http://usa.denon.com/servicecenters>

CANADA

DENON FACTORY SERVICE by MICROLAND TECHNICAL SERVICES

170 Alden Road, Unit 2
Markham, ON L3R4C1
(905) 940-1982
<http://clientportal.microland.ca/rmastart.aspx>

To locate an authorized warranty service center within your area please visit our web site at
<http://ca.denon.com/servicecenters>

This warranty will be honored only in the **U.S.A.**

DENON[®]

LIMITED WARRANTY

Length of Non-Transferable Warranty

This warranty on your DENON product which is distributed and warranted by DENON ELECTRONICS (USA), LLC remains in effect for the following periods from the date of the original consumer purchase from an AUTHORIZED DENON ELECTRONICS (USA), LLC DEALER.

Product Category				
A/V Controller, A/V Receiver, AM/FM Receiver			AVC, AVR, DRA	2
IN-Command series™ AV Receivers			AVR-****CI, AVR-X	3
DVD Receiver, DVD Home Theater System			ADV, S	1
D/A Converter, Portable USB-DAC / Headphone Amplifier			DA	2
Pre-Amplifier, Digital Pre-Amplifier, Power-Amplifier, Head Amplifier			PRA, AVP, DAP, POA, HA	3
Tuner, Integrated Amplifier			TU, PMA	3
Option Board			ACD	3
Super Audio CD / CD Player, DVD Player, Blu-ray Disc Player			DCD, DCM, DVD, DVM, DBP, DBT	1
CD Recorder			CDRW	1
CD Receiver, Network CD Receiver, Network Receiver			RCD, DRA-N	1
Network Audio Player			DNP	2
System Audio, CD Receiver System			D-F, D-M, S, D-T	1
Turntable	1	Autolift / Manual	DP-L, DP-M	4
	2	Full Automatic	DP-F, DP-USB	2
Speaker			SC	5
Sub-woofer			DSW	1
Wireless Sub-woofer			DENON HOME SUBWOOFER	2
Microphone			DM-S, DM-A	2
Wireless Speaker			DENON HOME	2
Bluetooth Speaker			DSB	1
iPhone® / iPod® Docks			ASD, DSD	1
Headphone			AH	1
Sound bar			DHT-S, DENON HOME SOUND BAR	2
TV Speaker Base			DHT-T	1
Video Processor			DVP	3
Cartridge			DL	90
Remote Controller			RC	90
Cables			AK	90
Speaker stands			ASF	90

YEAR(S)

DAYS

iPod is a trademark of Apple Inc., registered in the U.S. and other countries.

What is Covered

Except as specified below, this Warranty covers all defects in material and workmanship in this product occurring during the above warranty periods. The following are not covered by the Warranty: (1) Any product which is not distributed in the U.S.A. by DENON ELECTRONICS (USA), LLC. (2) Any product which is not purchased in the U.S.A. from an authorized DENON dealer. (Note: AUTHORIZED DENON DEALERS can be identified by DENON AUTHORIZED DEALER sticker displayed in the stores. If you are uncertain as to whether a dealer is a DENON AUTHORIZED DEALER, please contact DENON as listed below.) (3) Any product on which the serial number has been defaced, modified or removed. (4) Damaged deterioration or malfunction resulting from: a) Accident, act of nature, abuse, misuse, neglect, unauthorized product repair, opening of or modification or failure to follow instructions supplied with the product. b) Repair or attempted repair by anyone not authorized by DENON. c) Any shipment of the product (claim must be presented to carrier). (5) Items subject to wear from normal usage (tape heads, cartridges, stylus, battery, etc.). (6) Periodic check-ups which do not disclose any defect. (7) Use of the product outside the U.S.A. (8) Damaged magnetic tape or CD/DVD/BD discs. (9) Use in industrial, commercial, and/or professional applications. (10) Any installation or removal charges resulting from product failure.

What We Will Pay For

If during the applicable warranty period from the date of original consumer purchase your DENON product is found to be defective by DENON, DENON will repair, or at its option, replace with new, reconditioned or equivalent model, such defective product without charge for parts or labor.

How to Obtain Warranty Performance

If your unit ever needs service, it may be taken or shipped to any authorized DENON service station or DENON ELECTRONICS (if you are uncertain as to whether a service station is DENON authorized, please visit our website at <http://usa.denon.com/servicecenters> or contact DENON as listed below.) In all other cases, the following procedures apply whenever your unit must be transported for warranty service:

- You are responsible for transporting your unit or arranging for its transportation.
- If shipment of your unit is required;
 - You must pay the initial shipping charges, but we will pay the return shipping charges if the repairs are covered by the Warranty.
- WHEN RETURNING YOUR UNIT FOR WARRANTY SERVICE, A COPY OF THE ORIGINAL SALES SLIP MUST BE ATTACHED.**
- You should include the following: your name, address, daytime telephone number, model and serial number of the product and a description of the problem.
 - In the case of a CD/DVD/BD Player, please enclose ONE (1) disc that the unit has failed with for test reasons. It will be returned with the unit.

THIS WARRANTY IS VALID IN THE U.S.A. ONLY.

If your product does not require service, but you have questions regarding its operation, please contact our Customer Support Department as listed below.

THIS WARRANTY IS EXPRESSLY MADE IN LIEU OF ALL OTHER WARRANTIES, EXPRESSED OR IMPLIED, INCLUDING WITHOUT LIMITATION, WARRANTIES OF MERCHANTABILITY AND FITNESS FOR A PARTICULAR PURPOSE.

OUR LIABILITY IS LIMITED TO THE REPAIR OR REPLACEMENT, AT OUR OPTION, OF ANY DEFECTIVE PRODUCT AND SHALL IN NO EVENT INCLUDE INCIDENTAL OR CONSEQUENTIAL COMMERCIAL OR PROPERTY DAMAGES OF ANY KIND. WE ARE NOT RESPONSIBLE FOR PRODUCTS LOST, STOLEN AND/OR DAMAGED DURING SHIPPING.

SOME STATES DO NOT ALLOW LIMITATIONS ON HOW LONG AN IMPLIED WARRANTY LASTS AND/OR DO NOT ALLOW THE EXCLUSION OF INCIDENTAL OR CONSEQUENTIAL DAMAGES, SO THE ABOVE LIMITATIONS AND EXCLUSIONS MAY NOT APPLY TO YOU.

This warranty gives you specific legal rights, but you may also have other rights which vary from state to state. This Warranty may not be altered other than in a writing signed by an officer of Denon Electronics USA, LLC.

DENON ELECTRONICS (USA), LLC
 (a D&M Holdings Company)
 100 Corporate Drive Mahwah, NJ 07430-2041
 (201) 762-6665
www.usa.denon.com

DENON FACTORY SERVICE by PANURGY OEM
 701 Ford Road (South Dock) Rockaway, NJ 07866-2053
 (973) 625-4056
 (973) 625-9489 Fax
<http://www.panurgoem.com/Denon/Denonrepair.html>

This warranty will be honored only in **Canada**.

DENON[®]

LIMITED WARRANTY

Length of Non-Transferable Warranty

This warranty on your DENON product which is distributed and warranted by D&M CANADA INC. remains in effect for the following periods from the date of the original consumer purchase from an AUTHORIZED D&M CANADA INC. DEALER.

Product Category				
A/V Controller, A/V Receiver, AM/FM Receiver			AVC, AVR, DRA	2
IN-Command series™ AV Receivers			AVR-****CI, AVR-X	3
DVD Receiver, DVD Home Theater System			ADV, S	1
D/A Converter, Portable USB-DAC / Headphone Amplifier			DA	2
Pre-Amplifier, Digital Pre-Amplifier, Power-Amplifier, Head Amplifier			PRA, AVP, DAP, POA, HA	3
Tuner, Integrated Amplifier			TU, PMA	3
Option Board			ACD	3
Super Audio CD / CD Player, DVD Player, Blu-ray Disc Player			DCD, DCM, DVD, DVM, DBP, DBT	1
CD Recorder			CDRW	1
CD Receiver, Network CD Receiver, Network Receiver			RCD, DRA-N	1
Network Audio Player			DNP	2
System Audio, CD Receiver System			D-F, D-M, S, D-T	1
Turntable	1	Autolift / Manual	DP-L, DP-M	4
	2	Full Automatic	DP-F, DP-USB	
Speaker			SC	5
Sub-woofer			DSW	1
Wireless Sub-woofer			DENON HOME SUBWOOFER	2
Microphone			DM-S, DM-A	2
Wireless Speaker			DENON HOME	2
Bluetooth Speaker			DSB	1
iPhone® / iPod® Docks			ASD, DSD	1
Headphone			AH	1
Sound bar			DHTS, DENON HOME SOUND BAR	2
TV Speaker Base			DHT-T	1
Video Processor			DVP	3
Cartridge			DL	90
Remote Controller			RC	90
Cables			AK	90
Speaker stands			ASF	90

YEAR(S)

DAYS

iPod is a trademark of Apple Inc., registered in the U.S. and other countries.

What is Covered

Except as specified below, this Warranty covers all defects in material and workmanship in this product occurring during the above warranty periods. The following are not covered by the Warranty: (1) Any product which is not distributed in Canada by D&M CANADA INC. (2) Any product which is not purchased in Canada from an authorized DENON dealer. (Note: AUTHORIZED DENON DEALERS can be identified by DENON AUTHORIZED DEALER sticker displayed in the stores. If you are uncertain as to whether a dealer is a DENON AUTHORIZED DEALER, please contact D&M CANADA INC. as listed below). (3) Any product on which the serial number has been defaced, modified or removed. (4) Damaged deterioration or malfunction resulting from: a) Accident, act of nature, abuse, misuse, neglect, unauthorized product repair, opening of or modification or failure to follow instructions supplied with the product. b) Repair or attempted repair by anyone not authorized by DENON. c) Any shipment of the product (claim must be presented to carrier). (5) Items subject to wear from normal usage (tape heads, cartridges, stylus, battery, etc.). (6) Periodic check-ups which do not disclose any defect. (7) Use of the product outside Canada. (8) Damaged magnetic tape or CD/DVD/BD discs. (9) Use in industrial, commercial, and/or professional applications. (10) Any installation or removal charges resulting from product failure.

What We Will Pay For

If during the applicable warranty period from the date of original consumer purchase your DENON product is found to be defective by DENON, DENON will repair, or at its option, replace with new, reconditioned or equivalent model, such defective product without charge for parts or labor.

How to Obtain Warranty Performance

If your unit ever needs service, it may be taken or shipped to any authorized DENON service station or D&M CANADA INC. (For an authorized DENON service station near you, please check our website <http://ca.denon.com/servicecenters> or contact D&M CANADA INC. as listed below.) In all other cases, the following procedures apply whenever your unit must be transported for warranty service:

- You are responsible for transporting your unit or arranging for its transportation.
- If shipment of your unit is required;
 - You must pay the initial shipping charges, but we will pay the return shipping charges if the repairs are covered by the Warranty.
- WHEN RETURNING YOUR UNIT FOR WARRANTY SERVICE, A COPY OF THE ORIGINAL SALES SLIP MUST BE ATTACHED.**
- You should include the following: your name, address, daytime telephone number, model and serial number of the product and a description of the problem.
 - In the case of a CD/DVD/BD Player, please enclose ONE (1) disc that the unit has failed with for test reasons. It will be returned with the unit.

THIS WARRANTY IS VALID IN CANADA ONLY.

If your product does not require service, but you have questions regarding its operation, please contact our Customer Support Department as listed below.

THIS WARRANTY IS EXPRESSLY MADE IN LIEU OF ALL OTHER WARRANTIES, EXPRESSED OR IMPLIED, INCLUDING WITHOUT LIMITATION, WARRANTIES OF MERCHANTABILITY AND FITNESS FOR A PARTICULAR PURPOSE.

OUR LIABILITY IS LIMITED TO THE REPAIR OR REPLACEMENT, AT OUR OPTION, OF ANY DEFECTIVE PRODUCT AND SHALL IN NO EVENT INCLUDE INCIDENTAL OR CONSEQUENTIAL COMMERCIAL OR PROPERTY DAMAGES OF ANY KIND. WE ARE NOT RESPONSIBLE FOR PRODUCTS LOST, STOLEN AND/OR DAMAGED DURING SHIPPING.

SOME PROVINCES DO NOT ALLOW LIMITATIONS ON HOW LONG AN IMPLIED WARRANTY LASTS AND/OR DO NOT ALLOW THE EXCLUSION OF INCIDENTAL OR CONSEQUENTIAL DAMAGES, SO THE ABOVE LIMITATIONS AND EXCLUSIONS MAY NOT APPLY TO YOU.

This warranty gives you specific legal rights, but you may also have other rights which vary from province to province. This Warranty may not be altered other than in a writing signed by an officer of D&M Canada Inc.

D&M CANADA INC.
 10462 Islington Avenue, Unit 8B
 Kleinburg, Ontario L0J 1C0
 (905) 475-4085
www.ca.denon.com

DENON FACTORY SERVICE
by MICROLAND TECHNICAL SERVICES
 170 Alden Road, Unit 2 Markham, ON L3R 4C1
 (905) 940-1982
<http://clientportal.microland.ca/rmastart.aspx>

Cette garantie ne sera honorée qu'au **Canada**.

DENON®

GARANTIE LIMITÉE

Durée du garantie non-transférable

La garantie de votre produit DENON, distribué et garanti par D&M CANADA INC. prend effet à partir de la date d'achat du consommateur original auprès d'un revendeur officiel D&M CANADA INC. pendant les périodes suivantes.

Catégorie de produit

Contrôleur A/V, Récepteur A/V, Récepteur AM/FM	AVC, AVR, DRA	2	ANNÉES
IN-Command series™ Récepteurs AV	AVR-****CI, AVR-X	3	
Récepteur DVD, Système DVD Home Theater	ADV, S	1	
Convertisseur N/A, USB-DAC Portable / Amplificateur casque	DA	2	
Préamplificateur, préamplificateur numérique, Amplificateur de puissance, Préamplificateur phono	PRA, AVP, DAP, POA, HA	3	
Syntoniseur, amplificateur intégré	TU, PMA	3	
Carte optionnelle	ACD	3	
Lecteur Super Audio CD / CD, Lecteur DVD, Lecteur Disque Blu-ray	DCD, DCM, DVD, DVM, DBP, DBT	1	
Enregistreur CD	CDRW	1	
Ampli-tuner avec Lecteur de CD, Récepteur audio / CD avec réseau intégré / Chaîne audio avec réseau intégré	RCD, DRA-N	1	
Lecteur Audio Réseau	DNP	2	
Système Audio, Système CD tuner	D-F, D-M, S, D-T	1	
Table tournante	1 Levée auto	4	
	2 Auto complet	4	
Haut-parleurs	DP-L, DP-M	2	
Sub-woofer	DP-F, DP-USB	2	
Caisson de basses sans fil	SC	5	
Micro	DSW	1	
Enceinte sans fil	DENON HOME SUBWOOFER	2	
Enceinte Bluetooth	DM-S, DM-A	2	
iPhone® / iPod® Docks	DENON HOME	2	
Casque d'écoute	DSB	1	
Barre de son	ASD, DSD	1	
Base d'enceinte pour TV	AH	1	
Processeur vidéo	DHT-S, DENON HOME SOUND BAR	2	
Cellule phonoelectrice	DHT-T	1	
Télécommande	DVP	3	
Câble	DL	90	JOURS
Support pour enceinte acoustique	RC	90	
	AK	90	
	ASF	90	

Apple et iPod sont des marques commerciales d'Apple Inc., déposées aux Etats-Unis et dans d'autres pays.

Couverture

Cette garantie couvre tous les défauts de matériel ou de fabrication du produit, à l'exception de ceux indiqués ci-après qui conformément selon les termes durant la période de la garantie. Ne sont pas couverts par la garantie: (1) Tout produit qui n'est pas distribué au Canada par D&M CANADA INC. (2) Tout produit qui n'a pas été acheté au Canada auprès d'un revendeur officiel DENON (Note: On peut identifier les revendeurs officiels DENON par leur auto-collant "REVENDEUR OFFICIEL DENON" affiché dans leur magasin. Si vous doutez qu'un revendeur soit officiellement reconnu, contactez D&M CANADA INC. à l'adresse ci-dessous.) (3) Tout produit dont le numéro de série a été effacé, modifié ou enlevé. (4) Dommages dus à la détérioration ou à un fonctionnement défectueux à la suite de: a) accident, acte de la nature, abus, utilisation impropre, négligence, réparation au moyen d'un produit non autorisé, débalé, modification, emploi contraire aux instructions fournies avec le produit, b) réparation ou tentative de réparation par quelqu'un non reconnu par DENON. c) tout envoi du produit (la réclamation doit être présentée au transporteur), (5) Articles sujets à détérioration par l'usage (têtes de magnétophone, cellules phono, pointes de lecture phono, piles, etc.). (6) Vérification périodique qui ne révèle aucun défaut. (7) Utilisation du produit hors du Canada. (8) Bandes magnétiques, disques CD/DVD/BD endommagés. (9) Utilisation commerciale, industrielle ou professionnelle. (10) Toutes charges d'installation ou de déplacement résultant d'un défaut du produit.

Notre paiement

Si votre produit DENON est reconnu défectueux par DENON durant la période d'application de la garantie après la date d'achat du consommateur, DENON réparera ou, à son choix, remplacera avec un modèle neuf, usagé ou équivalent ce produit défectueux sans frais de pièces ni de main d'œuvre.

Application de la garantie

Si votre appareil nécessite une vérification ou une réparation, il peut être apporté ou envoyé à tout atelier de service autorisé DENON ou directement chez D&M CANADA INC. (Pour trouver l'atelier autorisé le plus près, prière de vérifier sur le site Internet de DENON au <http://ca.denon.com/servicecenters> ou bien contactez D&M Canada Inc aux coordonnées indiquées ci bas). Dans tous les autres cas, les procédures suivantes s'appliquent si votre appareil doit être envoyé pour une vérification ou une réparation sous garantie.

- Vous êtes responsable du transport de votre article ou vous devez vous arranger vous-même pour son transport.
- Si votre article doit être envoyé, vous devez payer les frais d'envoi initiaux, mais nous payerons les frais de retour si la garantie couvre les réparations.
- LORSQUE VOUS RENVOYEZ VOTRE ARTICLE POUR UN SERVICE SOUS GARANTIE, VOUS DEVEZ JOINDRE UNE COPIE DE LA FACTURE D'ACHAT D'ORIGINE.**
- Vous devez inclure également vos nom, adresse, numéro de téléphone de jour, numéros de modèle et de série du produit et une description du problème.

Dans le cas d'un lecteur CD/DVD/BD, joindre un disque que l'appareil n'a pu lire pour test. Il vous sera retourné avec l'article.

CETTE GARANTIE EST VALABLE SEULEMENT AU CANADA.

Si votre produit ne requiert aucun service mais que vous avez des questions quant à son fonctionnement, contactez notre département service clientèle dont l'adresse figure ci-dessous.

CETTE GARANTIE EST EXPRESSÉMENT FAITE EN LIEU ET PLACE DE TOUTES LES AUTRES GARANTIES EXPRIMÉES OU SOUS-ENTENDUES' Y COMPRIS, SANS SE LIMITER À CELLES-CI, LES GARANTIES MARCHANDES ET SPÉCIFIQUES POUR UN USAGE PARTICULIER.

NOTRE RESPONSABILITÉ SE LIMITE À LA RÉPARATION OU AU REMPLACEMENT, À NOTRE CHOIX, DE TOUT PRODUIT DÉFECTUEUX ET N'INCLUT EN AUCUN CAS DES DOMMAGES FORTUITS, COMMERCIAUX INDIRECTS NI MATÉRIELS D'AUCUNE SORTIE. NOUS NOUS SOMMES PAS RESPONSABLES POUR LA PERTE DE LES PRODUITS ET/OU LES MARCHANDISES ENDOMMAGÉES PENDANT LE TRNSPORT DES BIENS.

CERTAINES PROVINCES NE PERMETTENT PAS DE LIMITES QUANT À LA DURÉE D'UNE GARANTIE SOUS-ENTENDUE ET/OU NE PERMETTENT PAS L'EXCLUSION DE DOMMAGES FORTUITS. LES LIMITATIONS ET EXCLUSIONS MENTIONNÉES PLUS HAUT PEUVENT NE PAS S'APPLIQUER À VOTRE CAS.

Cette garantie vous donne des droits légaux spécifiques, mais il se pourrait que vous ayez d'autres droits qui varient d'une province à l'autre. La garantie ne peut être modifiée que par un document signé par un gestionnaire autorisé de D&M Canada.

D&M CANADA INC.
10462 Islington Avenue, Unit 8B
Kleinburg, Ontario L0J 1C0
(905) 475-4085
www.ca.denon.com

DENON FACTORY SERVICE
by MICROLAND TECHNICAL SERVICES
170 Alden Road, Unit 2 Markham, ON L3R 4C1
(905) 940-1982
<http://clientportal.microland.ca/rmastart.aspx>