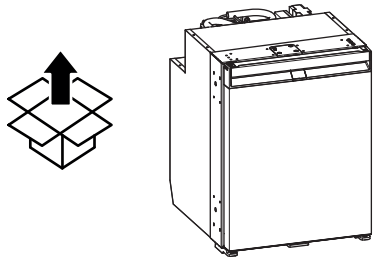
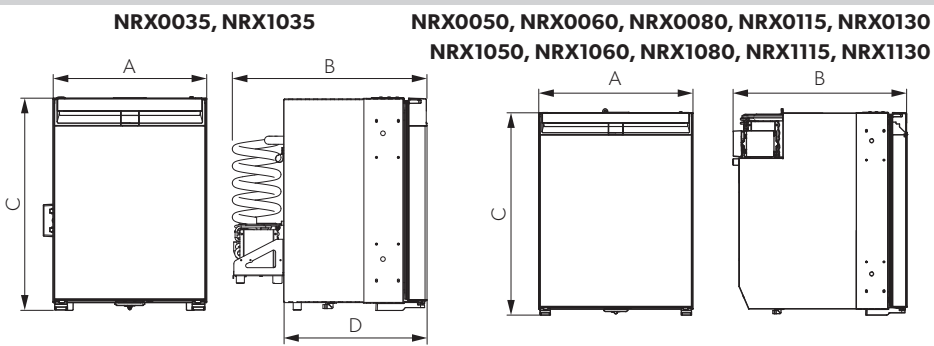


**MODELS**



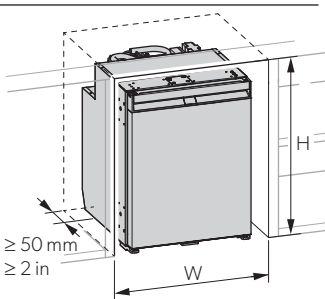
	Europe E/C/S	America E/C/T S	Asia, Pacific C/S
12/24 V $\equiv$	●	●	●
100/240 V $\sim$	●	●	●
R134a			

**DIMENSIONS**

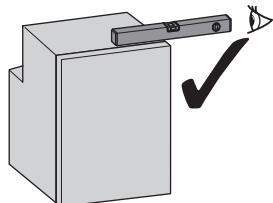
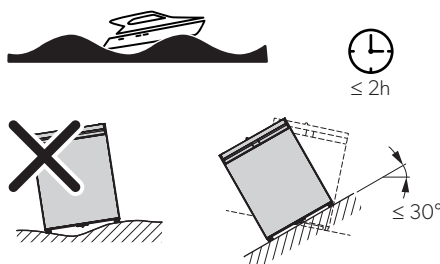
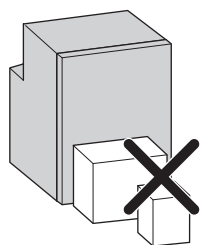
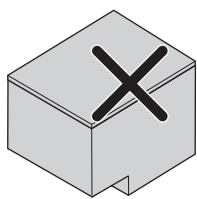
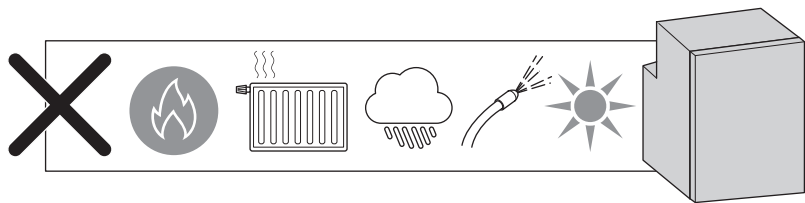
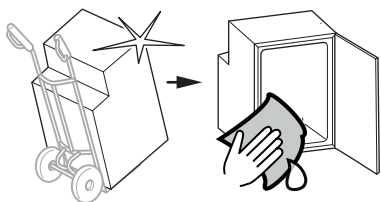


	A mm/in	B mm/in	C mm/in	D mm/in
NRX0035, NRX1035	380/15.0	480/18.9	525/20.7	355/14.0
NRX0050, NRX1050	380/15.0	510/20.1	525/20.7	
NRX0060, NRX1060	448/17.6	537/21.1	525/20.7	
NRX0080, NRX1080	475/18.7	537/21.1	625/24.6	
NRX0115, NRX1115	525/20.7	568/22.4	745/29.3	
NRX0130, NRX1130	525/20.7	568/22.4	812/32.0	

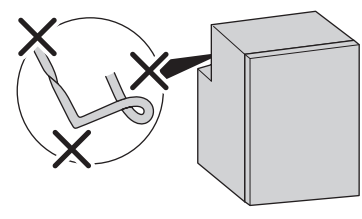
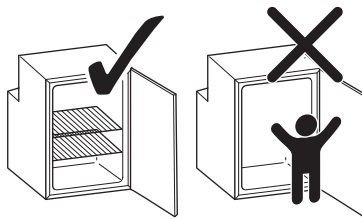
	W mm/in	H mm/in
NRX0035, NRX1035	392-394/15.4-15.5	534-536/21.0-21.1
NRX0050, NRX1050	392-394/15.4-15.5	534-536/21.0-21.1
NRX0060, NRX1060	460-462/18.1-18.2	534-536/21.0-21.1
NRX0080, NRX1080	487-489/19.2-19.3	634-636/25.0-25.0
NRX0115, NRX1115	537-539/21.1-21.2	754-756/29.7-29.8
NRX0130, NRX1130	537-539/21.2-21.2	821-823/32.3-32.4



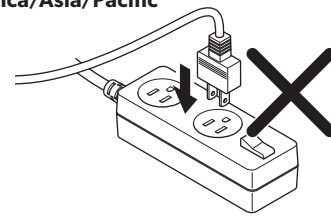
**NOTICE**



**DANGER**

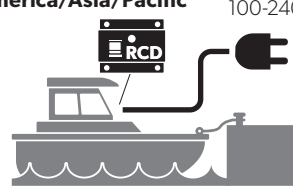


America/Asia/Pacific



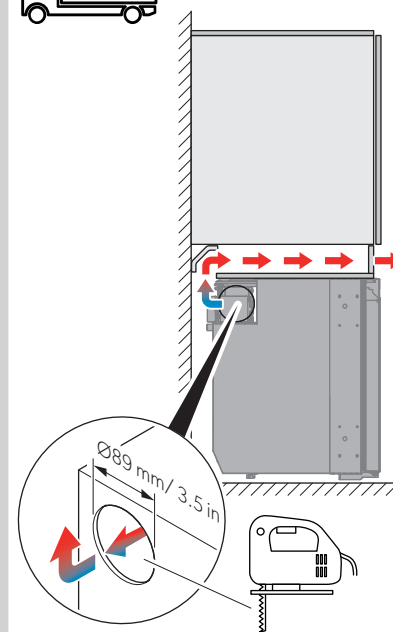
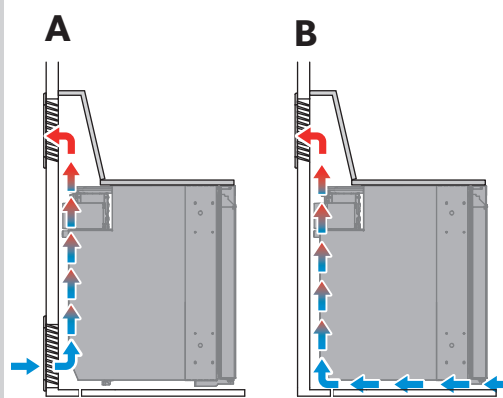
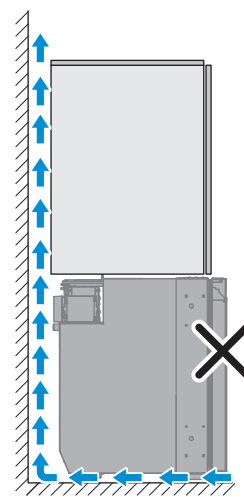
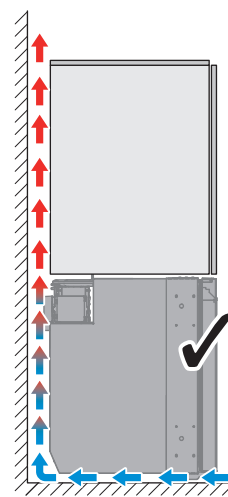
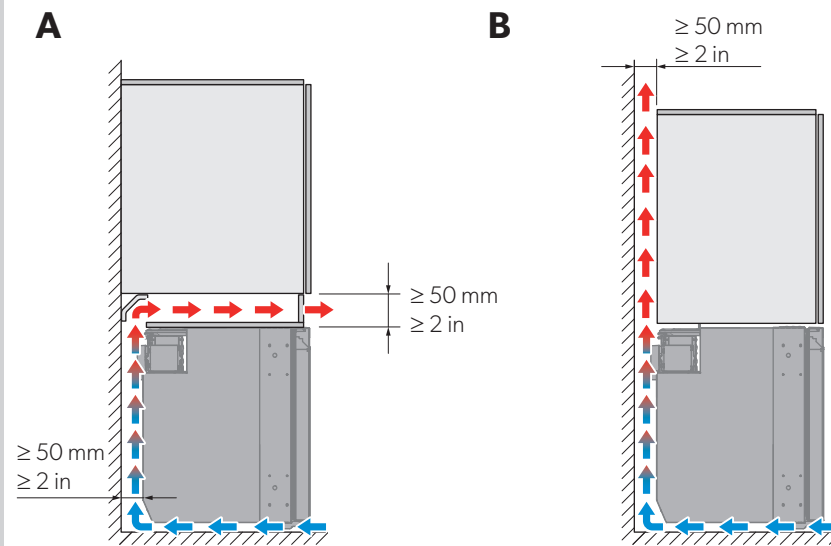
America/Asia/Pacific

100-240 V

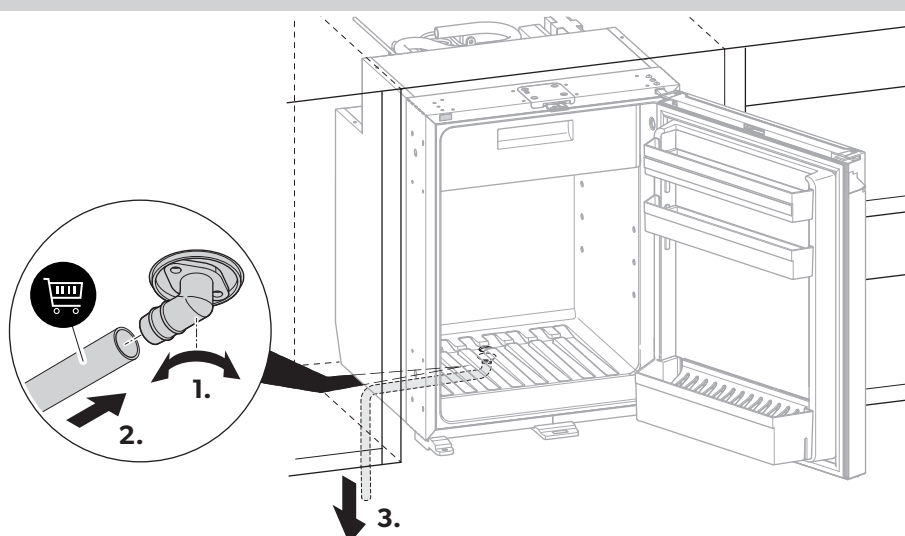


**AIR FLOW**

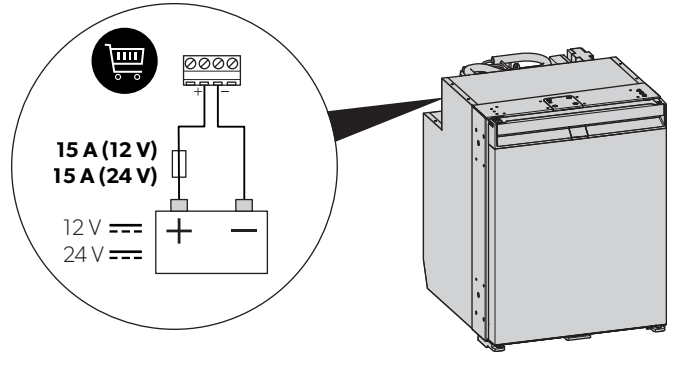
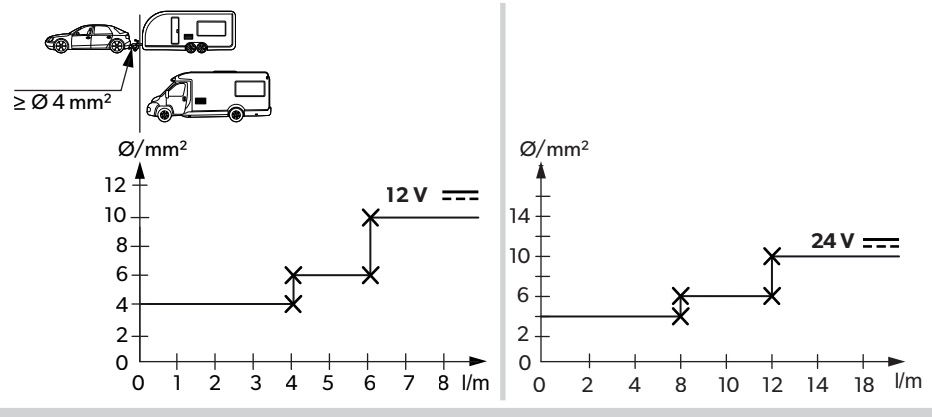
Insufficient air flow results in shortened lifespan and reduced cooling performance. Observe the minimum spacings when installing the refrigerator to furniture.



**CONDENSATION DRAIN**



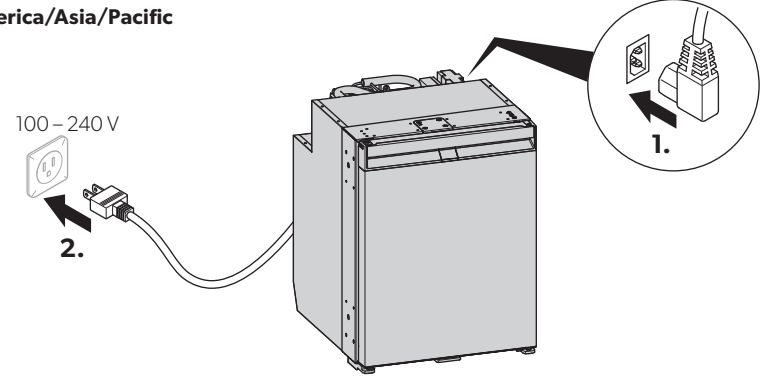
DC



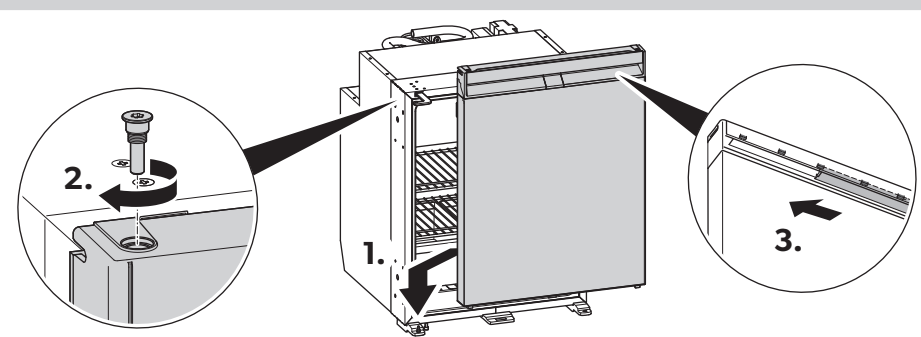
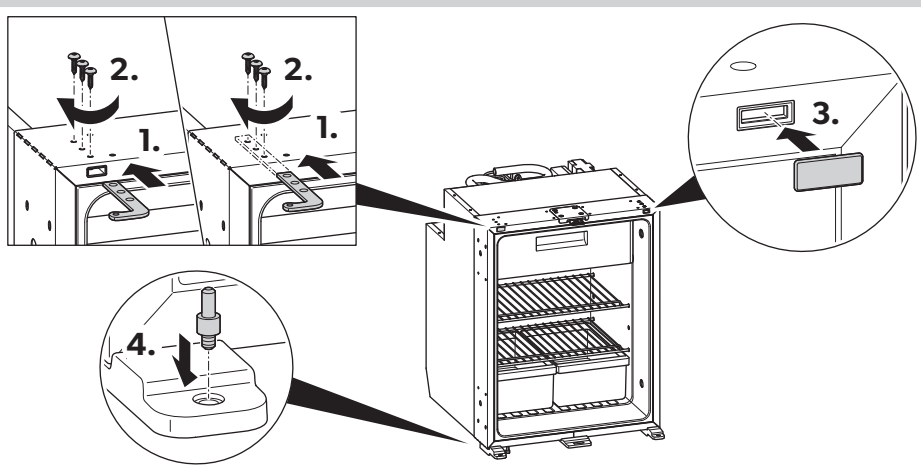
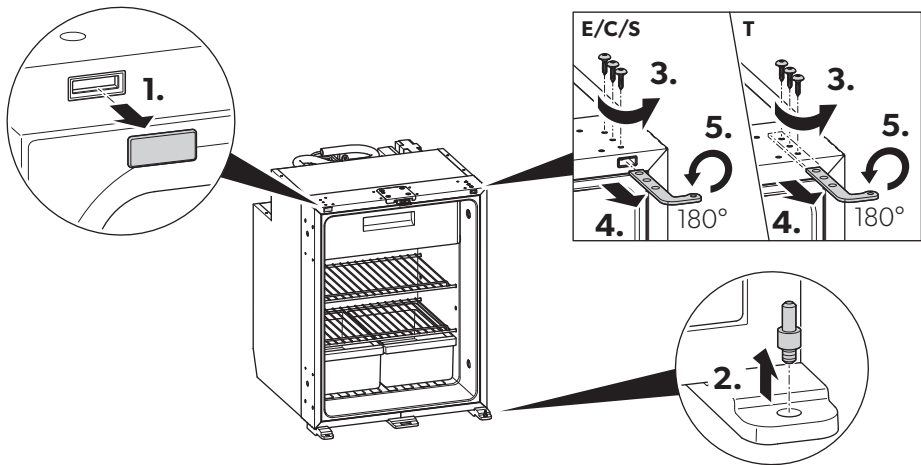
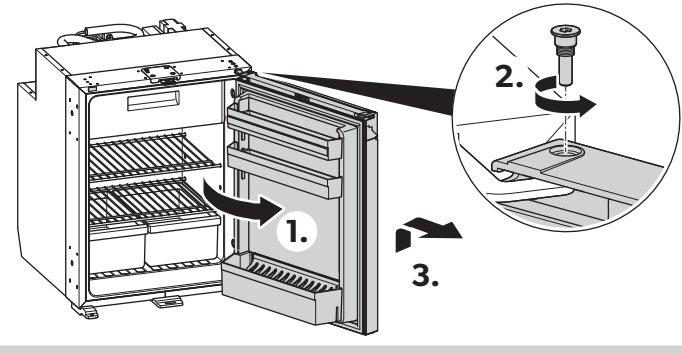
AC

America/Asia/Pacific

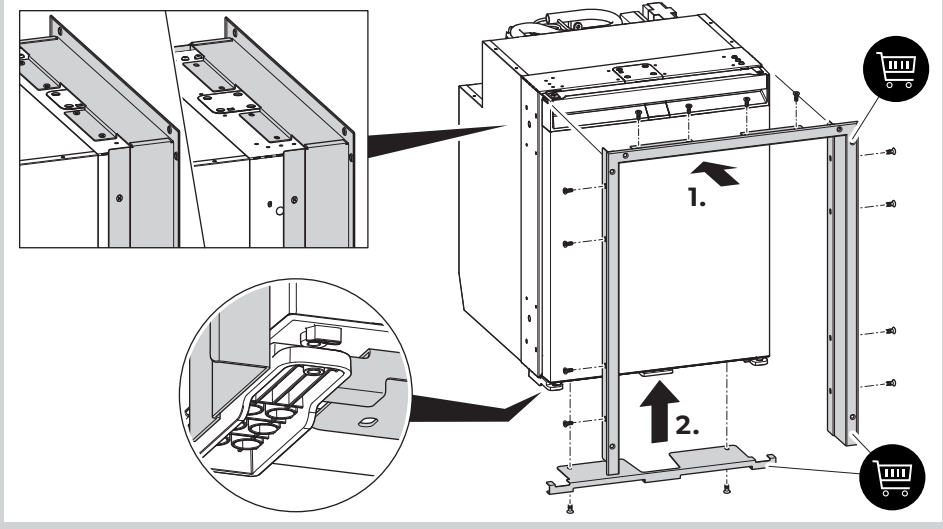
100-240 V



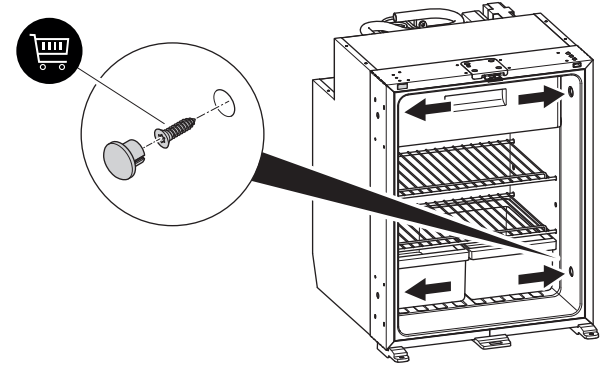
REVERSING DOOR



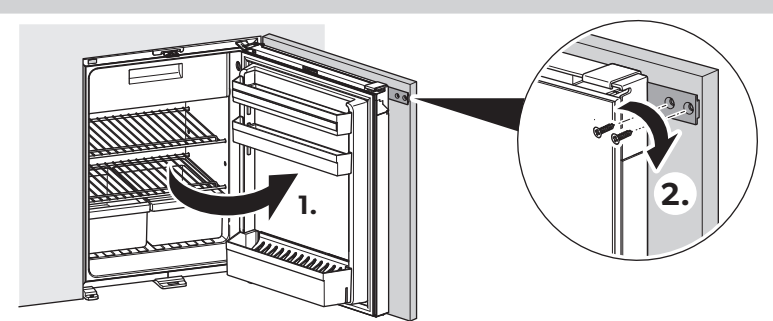
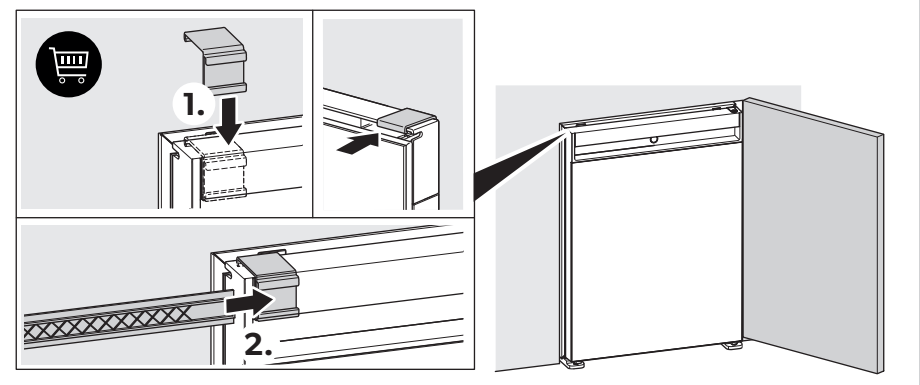
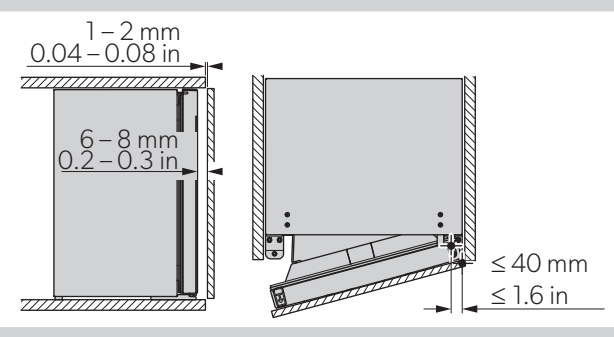
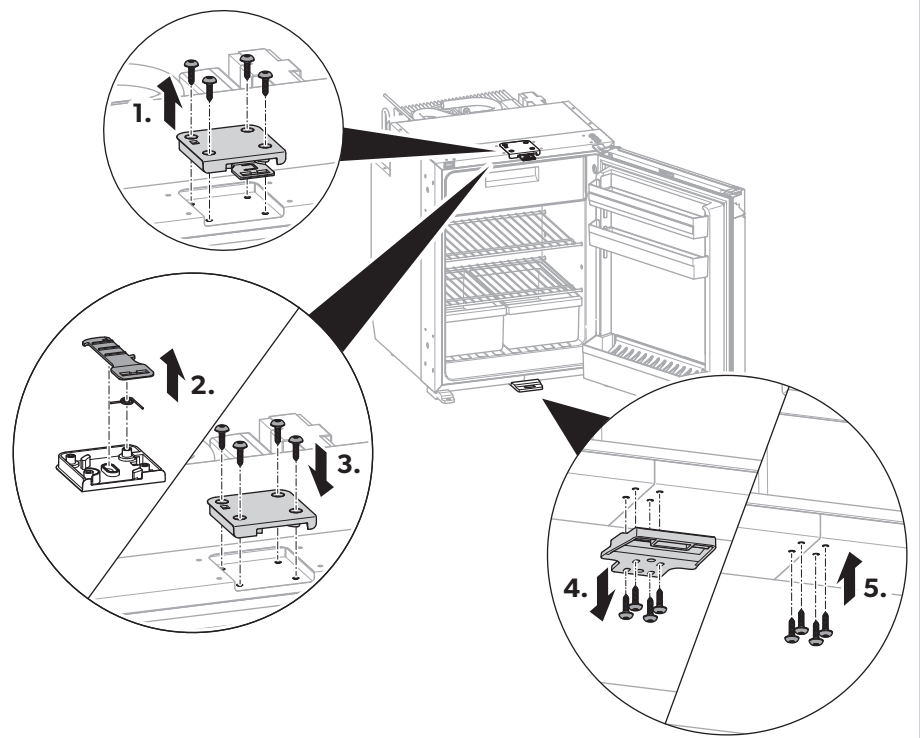
FRAME



FIXING



SLIDING HINGE



**DOMETIC** YOUR LOCAL DEALER [dometic.com/dealer](http://dometic.com/dealer) YOUR LOCAL SUPPORT [dometic.com/contact](http://dometic.com/contact) YOUR LOCAL SALES OFFICE [dometic.com/sales-offices](http://dometic.com/sales-offices)

A complete list of Dometic companies, which comprise the Dometic Group, can be found in the public filings of: DOMETIC GROUP AB, Huvudgatan 15 SE-17154 Solna Sweden

More information <https://www.caravansplus.com.au>