

DRAPER®

INSTRUCTIONS FOR 150kg Log Stand

Stock No.32273

Part No.AGP101

IMPORTANT: PLEASE READ THESE INSTRUCTIONS CAREFULLY TO ENSURE THE SAFE AND EFFECTIVE USE OF THIS PRODUCT.



CE

DRAPER®

GENERAL INFORMATION

These instructions accompanying the product are the original instructions. This document is part of the product, keep it for the life of the product passing it on to any subsequent holder of the product. Read all these instructions before operating or maintaining this product.

This manual has been compiled by Draper Tools describing the purpose for which the product has been designed, and contains all the necessary information to ensure its correct and safe use. By following all the general safety instructions contained in this manual, it will ensure both product and operator safety, together with longer life of the product itself.

All photographs and drawings in this manual are supplied by Draper Tools to help illustrate the operation of the product.

Whilst every effort has been made to ensure the accuracy of information contained in this manual, the Draper Tools policy of continuous improvement determines the right to make modifications without prior warning.

1. TITLE PAGE

1.1 INTRODUCTION:

USER MANUAL FOR:

150kg LOG STAND

Stock no. 32273

Part no. AGP101

1.2 REVISIONS:

Date first published May 2013

As our user manuals are continually updated, users should make sure that they use the very latest version.

Downloads are available from: <http://www.drapertools.com/b2c/b2cmanuals.pgm>

DRAPER TOOLS LIMITED

HURSLEY ROAD

CHANDLER'S FORD

EASTLEIGH

HAMPSHIRE

SO53 1YF

UK

WEBSITE: www.drapertools.com

PRODUCT HELPLINE: +44 (0) 23 8049 4344

GENERAL FAX: +44 (0) 23 8026 0784

1.3 UNDERSTANDING THIS MANUALS SAFETY CONTENT:

WARNING! Information that draws attention to the risk of injury or death.

CAUTION! Information that draws attention to the risk of damage to the product or surroundings.

NOTE! Important information.

1.4 COPYRIGHT © NOTICE:

Copyright © Draper Tools Limited.

Permission is granted to reproduce this publication for personal & educational use only.

Commercial copying, redistribution, hiring or lending is prohibited.

No part of this publication may be stored in a retrieval system or transmitted in any other form or means without written permission from Draper Tools Limited.

In all cases this copyright notice must remain intact.

2. CONTENTS

2.1 CONTENTS

<i>Page content</i>	<i>Page</i>
1 TITLE PAGE	
1.1 INTRODUCTION	2
1.2 REVISION HISTORY	2
1.3 UNDERSTANDING THIS MANUAL	2
1.4 COPYRIGHT NOTICE	2
2 CONTENTS	
2.1 CONTENTS	3
3 GUARANTEE	
3.1 GUARANTEE	4
4 INTRODUCTION	
4.1 SCOPE	5
4.2 SPECIFICATION	5
4.3 HANDLING & STORAGE	5
5 HEALTH & SAFETY INFORMATION	
5.1 GENERAL SAFETY INSTRUCTIONS	6
6 TECHNICAL DESCRIPTION	
6.1 IDENTIFICATION	7
7 OPERATING THE LOG STAND	
7.1 OPERATING THE LOG STAND	8
8 MAINTENANCE	
8.1 MAINTENANCE	10
9 DISPOSAL	
9.1 DISPOSAL	11
10 NOTES	
DECLARATION OF CONFORMITY	ENCLOSED

3. GUARANTEE

3.1 GUARANTEE

Draper products have been carefully tested and inspected before shipment and are guaranteed to be free from defective materials and workmanship.

Should the product develop a fault, please return the complete item to your nearest distributor or contact Draper Tools Limited, Chandler's Ford, Eastleigh, Hampshire, SO53 1YF. England.

Telephone Sales Desk: (023) 8049 4333 or Product Helpline (023) 8049 4344.

A proof of purchase must be provided with the item.

If upon inspection it is found that the fault occurring is due to defective materials or workmanship, repairs will be carried out free of charge. This guarantee period covering parts/labour is 12 months from the date of purchase except where items are hired out when the guarantee period is ninety days from the date of purchase. The guarantee is extended to 24 months for parts only. This guarantee does not apply to normal wear and tear, nor does it cover any damage caused by misuse, careless or unsafe handling, alterations, accidents, or repairs attempted or made by any personnel other than the authorised Draper warranty repair agent.

Note: If the tool is found not to be within the terms of warranty, repairs and carriage charges will be quoted and made accordingly.

This guarantee applies in lieu of any other guarantee expressed or implied and variations of its terms are not authorised.

Your Draper guarantee is not effective unless you can produce upon request a dated receipt or invoice to verify your proof of purchase within the guarantee period.

Please note that this guarantee is an additional benefit and does not affect your statutory rights.

Draper Tools Limited.

4. INTRODUCTION

4.1 SCOPE

This log stand (Stock No.32273) is a manually operated saw horse, designed to enable the efficient and safe sawing of logs and branches.

Its powder coated steel construction means it is suitable for home/DIY use or by professional arborists for the sole purpose of sawing logs upto 150kg in weight.

4.2 SPECIFICATION

Stock no	32273
Part no	AGP101
Max. log length	4M
Min. log diameter	50mm
Max. log diameter	250mm
Max. log weight	150kg
Dimensions (L x W x H)	1100 x 380 x 900mm
Weight	10.8kg (net)
.....	12kg (gross)

4.3 HANDLING & STORAGE

Although this machine is strong and durable, care must still be taken when handling and lifting. Dropping this machine will have an effect on the fixings used in it's construction and may also result in personal injury. This machine is not a toy and must be respected.

This product is likely to be used outside and be subjected to all number of weather variables.

Care should be taken to avoid leaving if exposed to the elements as this could cause rusting which will weaken the product. Best policy is to store in a dry location when not in use.

5. HEALTH & SAFETY INFORMATION

5.1 GENERAL SAFETY INSTRUCTIONS FOR TOOL USE

When using this log stand there are steps that should be taken to make sure that you, as the user, remain safe.

Common sense and a respect for the job in hand will help reduce the risk of injury.

Read the instruction manual fully. Observe all safety precautions. Non observance of safety precautions may result in injury or death. Keep this manual safe for future reference.

WARNING: Before using this log stand always check that all nuts and bolts are secure and that the log stand is not damaged or rusting.

Find a suitable location. Use the log stand on firm, level ground only. Do not use on sloping or uneven ground.

After securing a log in the log stand, check the stability and balance before starting to cut. The log stand must not be able to tilt. Always cut in a downward direction. NEVER cut in an upward direction.

Keep the work area tidy and clean. Clear and stack the sawn logs away from the log stand to keep the work area clear of obstructions and safety hazards.

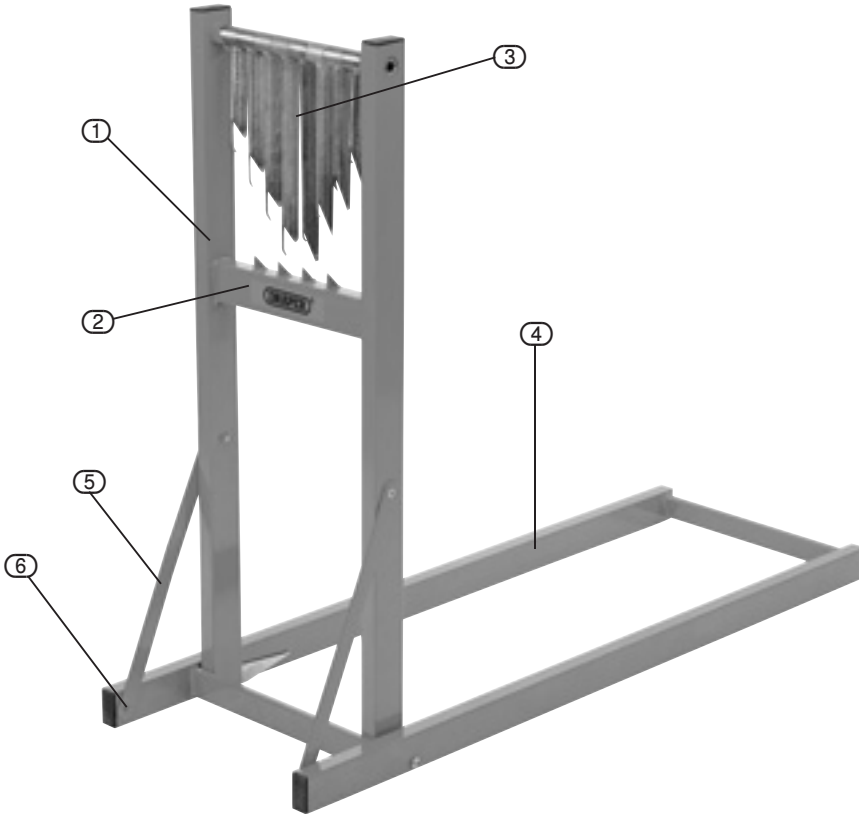
Keep bystanders away. Children, onlookers and passers by must be restricted from entering the work area for their own protection.

WARNING: Read and observe the operating instructions of the chainsaw you are using and wear all recommended safety gear.

Dress properly. Always wear appropriate PPE (Personal Protective Equipment) as specified by the chainsaw manufacturer and always wear safety shoes or boots in case a log is accidentally dropped on your feet.

6. TECHNICAL DESCRIPTION

6.1 IDENTIFICATION



- ① Log support frame.
- ② Cross bar.
- ③ Teeth.

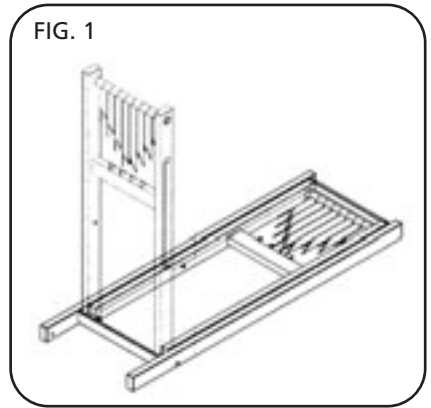
- ④ Base.
- ⑤ Diagonal brace.
- ⑥ Brace pin.

7. OPERATING THE LOG STAND

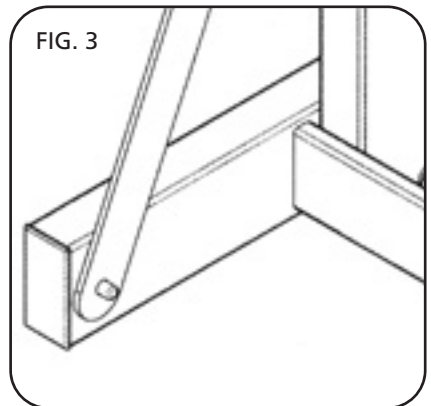
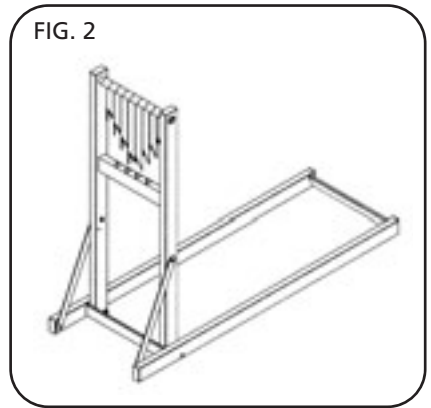
7.1 OPERATING THE LOG STAND (FIGS 1-3)

Ensure that the ground on which you are placing the log stand is firm and level.

With the log stand lying on the ground, lift the log support frame into the vertical position (Fig.1).



Rotate the diagonal braces (Fig.2) from their stored position and fit the holes in the ends of the braces over the pins on the inside of the forward part of the base (Fig.3).



7. OPERATING THE LOG STAND

7.1 OPERATING THE LOG STAND

(cont'd) (FIGS 4-6)

Insert the log through the teeth in the direction shown (Fig.4), until approximately $\frac{1}{3}$ of the log length is forward of the log support frame. The log should be angled so that the short end of the log is slightly lower than the rear.

Rest the log on the lower teeth on the cross bar and slowly release the weight so that the upper teeth engage with the log.

The log should be approximately horizontal with $\frac{1}{3}$ of its length forward of the log support frame. (Fig.5).

WARNING: With heavy and long logs, the weight of the log is sufficient to engage the teeth. Do not press down on the long overhanging end of the log as this may result in damage to the log stand.

Begin by cutting the initial few logs from the long over hanging end of the log and cut successive logs so as to maintain the ratio of approximately $\frac{1}{3}$ of the remaining length forward to the log support frame and $\frac{2}{3}$ behind (Fig.6).

WARNING: Always cut in a downward direction as shown.

WARNING: Check that the log is secure and the log stand is stable before beginning to cut.

IMPORTANT: Please read these instructions carefully. Note the safe operational requirements, warnings and cautions. Use the product correctly and with care for the purpose for which it is intended. Failure to do so may cause damage and/or personal injury and will invalidate the warranty. Please keep these instructions safe for future use.

FIG. 4

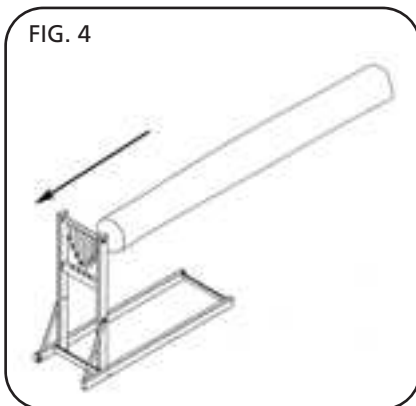


FIG. 5

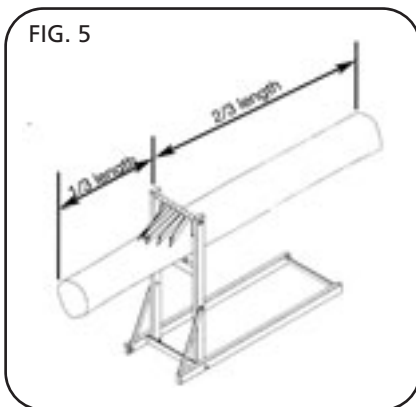
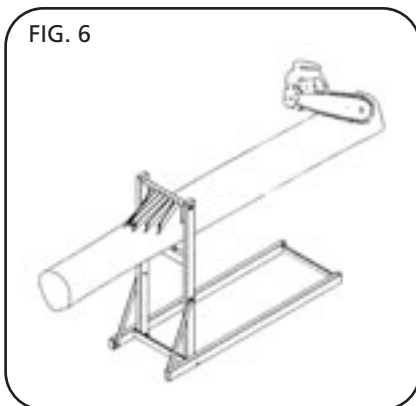


FIG. 6



8. MAINTENANCE

8.1 MAINTENANCE

This log stand is load bearing, therefore it is essential to routinely check the fixings and overall condition of the steel work. Do not use the log stand if it exhibits any signs of fatigue or wear. Apply common sense and if in doubt, do not use it. Contact Draper Tools for further advice.

9. DISPOSAL

9.1 DISPOSAL

- At the end of the log stand's working life, or when it can no longer be repaired, ensure that it is disposed of according to national regulations.
- Contact your local authority for details of collection schemes in your area.

In all circumstances:

- Do not dispose of in domestic waste.
- Do not incinerate.
- Do not abandon in the environment.

- **DRAPER TOOLS LIMITED,**
Hursley Road, Chandler's Ford,
Eastleigh, Hampshire. SO53 1YF. U.K.

- **Helpline:** (023) 8049 4344
- **Sales Desk:** (023) 8049 4333
- **Website:** www.drapertools.com
- **E-mail:** sales@drapertools.com
- **Sales Fax:** (023) 8049 4209
- **General Enquiries:** (023) 8026 6355

- **Service/Warranty Repair Agent**

For aftersales servicing or warranty repairs, please contact the Draper Tools Helpline for details of an agent in your local area.

YOUR DRAPER STOCKIST