

Luma 2

Heavy duty spring roller operated projection screen

INSTRUCTIONS INSTALLATION & OPERATION

Overview - Components

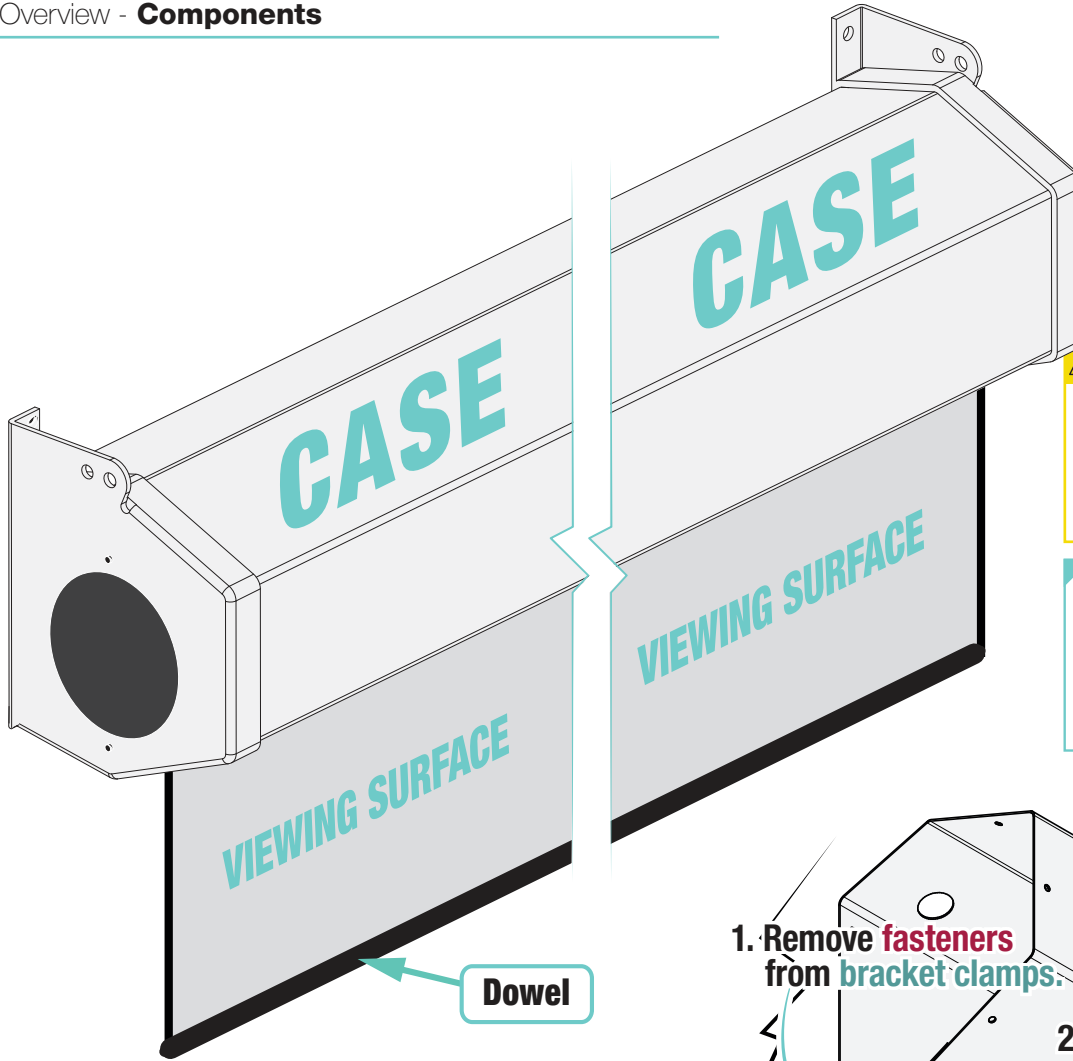
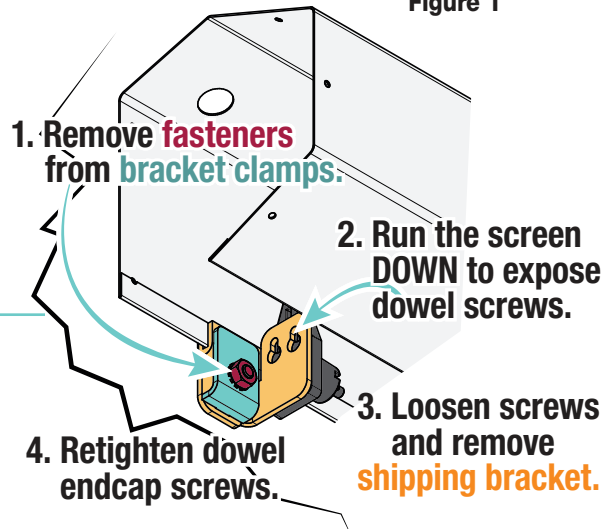


Figure 1

Section 1 - Removing Shipping Brackets

CAUTION: Shipping support brackets must be removed from bracket clamps at each end of dowel before initial operation, and before screen is operated in UP direction.

CAUTION: Raise and lower viewing surface several times to confirm satisfactory operation.



CAUTION

Read and understand all warnings (Page 2 of this document) before beginning installation.

Contents

Overview - Components.....	1	Section 2 - Operation.....	2
Section 1 - Removing Shipping Brackets.....	1	Section 3 - Hanging Screen and Methods of Installation.....	3
PLEASE READ - Safety Information.....	2	Section 4 - Dimensions	4

If you have any difficulties installing or servicing your Luma 2 projection screen, call your dealer or Draper, Inc.

PLEASE READ - **Safety Information****Important Safety Information****Important Safety Information**

Improper installation and use of the Luma 2 Projection Screen can result in serious injury or death. Primarily, injuries can occur if the unit falls due to imprecise installation, mishandling of the unit during installation, or installation on an insufficient wall or ceiling structure. Please use extreme care.

1. Please read the following installation guidelines thoroughly and follow them carefully. Failure to do so may cause product to fall or otherwise fail, and could result in serious injury.
2. Installation and calibration of the unit should only be performed by an authorized, qualified, and experienced professional.
3. Do not affix the unit to walls or ceilings that have inadequate strength to permanently hold the unit during use. It is the owner's and installer's responsibility to confirm the wall or ceiling to which the unit attaches is sufficient to permanently hold the weight and stress loads of the unit at all times. Draper®, Inc., is not responsible for improper installation, application, testing, or workmanship related to the product at place of installation.
4. It is the installer's responsibility to make sure appropriate fasteners are used for mounting.
5. All hardware must be installed level. Unit must be level and square.
6. Never leave the area while operating the unit during installation, maintenance, or normal operation, unless it is secure and safe.
7. Before testing or operation, carefully inspect the entire area and path (*especially underneath*) of unit to be sure no persons or objects are in the area.
8. During testing or operation, carefully watch the surrounding area for any potential safety concerns including nearby persons or objects.
11. After installation, the entire system, including all sensors, should be carefully tested to ensure safe and normal operation. Extreme care should be taken during testing to remain clear of moving parts to avoid possible injury.
12. Operation of unit should be performed only by authorized and qualified personnel, who have been trained in its safe and effective operation and understand its safety features.
13. The safety features of the unit should never be disabled, bypassed, or overridden. The system should not be operated until all safety features are properly and completely installed, calibrated, and tested.
14. Unit may need to comply with local, state, or district rules and regulations, in particular when installed in schools. All applicable rules and regulations should be reviewed before installation and use.
15. **Failure to precisely follow installation guidelines invalidates all warranties.**
16. Custom products/installations may not be reflected in this manual. Call Draper, Inc., if you have questions about the installation of custom products or any questions about your installation.

Before Beginning Installation

1. Look for any job site conditions that could interfere with installation or operation of the system.
2. Read carefully and be sure to understand all installation instructions and all related operations manuals. These instructions are intended to serve as a guide for the installer and owner. They should be followed closely and combined with the expertise of experienced qualified installers. Draper, Inc., is not responsible for improper installation, application, testing, or workmanship related to the product at place of installation. Please retain all instructions for future use.
3. Open cartons lengthwise.
4. Locate and lay out all pieces.
5. Inspect all boxes to make sure you have received the proper unit and parts. Controls may be shipped separately, or in same carton as unit.
6. If you have any difficulties with installing, servicing, or operating your unit, call your dealer or Draper, Inc., 765-987-7999.

Section 2 - **Operation****To lower viewing surface**

1. Grasp center of dowel and pull down.
2. Hesitate, then allow screen to retract very slowly until it locks in place.

To raise viewing surface

1. Pull the screen down and, if fully down, slightly outward (*20 degree angle*).
2. Give screen a quick "flick" and allow screen to retract quickly, but control retraction so screen does not collide into case.

Please Note: If the surface stops between the full up or full down positions, it will not retract completely back into the case. Lower viewing surface to the full down position and then let it completely retract back into the case without stopping or slowing it down.

AutoReturn**To lower viewing surface**

1. Grasp center of dowel and pull down.
2. Hesitate, then allow screen to retract very slowly until it locks in place.

To raise viewing surface

1. Pull down gently until viewing surface stops.
2. Release viewing surface.

Section 3 - Hanging Screen and Methods of Installation

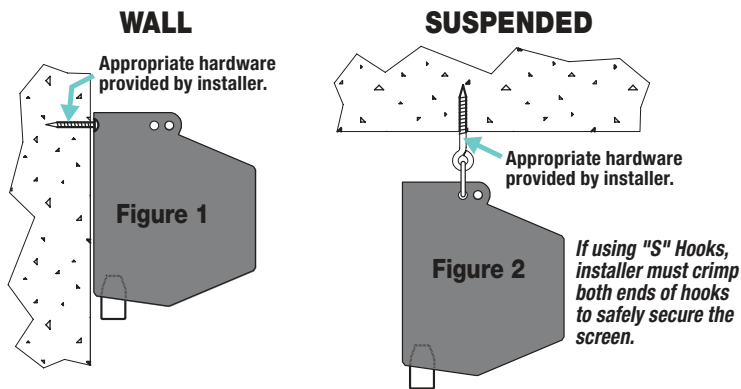
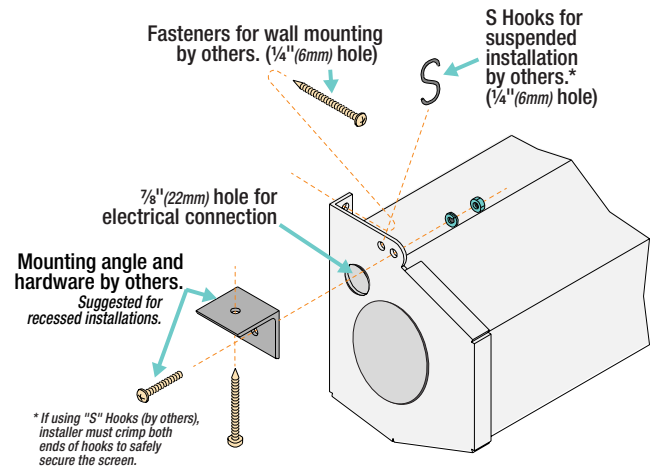
CAUTION: Product is very heavy: Installer must provide adequate attachment hardware and anchors as required. Installer must also ensure that structure is of adequate strength.

CAUTION: Case must be mounted low enough from ceiling to gain access to bracket screws.

General Information

When locating viewing surface and checking clearance for screen's operation, remember surface is centered in case. Handle case carefully to protect its finish.

Regardless of mounting method, screen should be positively and securely supported so that vibration or even abusive pulling on the viewing surface will not cause case to work loose or fall. Installer must ensure that fasteners used are of adequate strength and suitable for the mounting surface chosen.



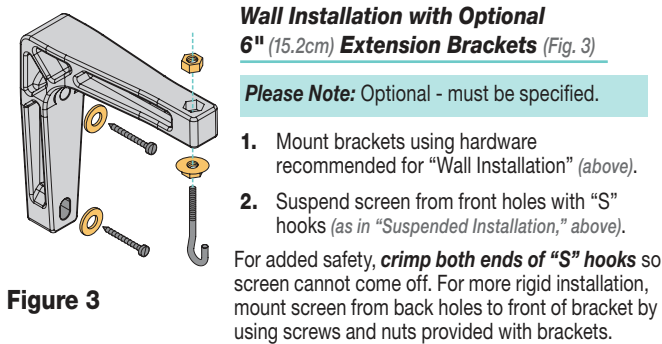
Wall Installation (Fig. 1)

Mount screen through holes in back of endcaps as shown. Installer should furnish screws, toggle bolts, molly bolts, nylon, or lead anchors as required.

Suspended Installation (Fig. 2)

Suspend screens from holes in endcaps as shown. "S" hooks, chains (or cable), and turnbuckles should be provided by installer. "S" hooks should go through the front holes on the endcaps, and **both ends of "S" hooks should be crimped for additional safety.**

Chains should be attached to beams or other structural members. Turnbuckles should be adjusted so screen hangs level.



Wall Installation with Optional 6" (15.2cm) Extension Brackets (Fig. 3)

Please Note: Optional - must be specified.

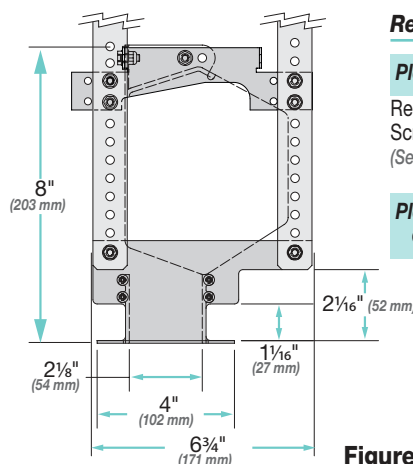
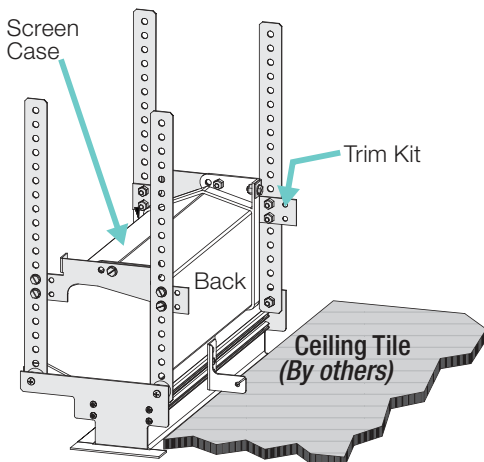
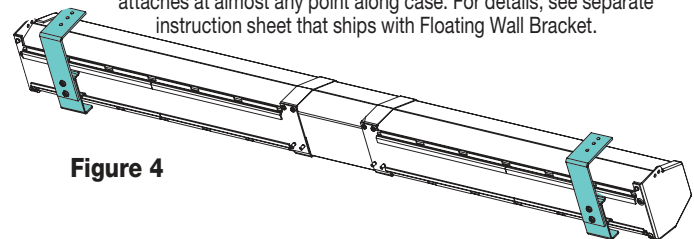
1. Mount brackets using hardware recommended for "Wall Installation" (above).
2. Suspend screen from front holes with "S" hooks (as in "Suspended Installation," above).

For added safety, **crimp both ends of "S" hooks** so screen cannot come off. For more rigid installation, mount screen from back holes to front of bracket by using screws and nuts provided with brackets.

Wall or Ceiling Installation with Optional Floating Brackets (Fig. 4)

Please Note: Optional - must be specified.

Floating brackets should be located on studs or joists. Bracket then attaches at almost any point along case. For details, see separate instruction sheet that ships with Floating Wall Bracket.



Recessed Installation (Fig. 5)

Please Note: Ceiling Opening Trim Kit is optional - must be specified.

Recess should permit access for removal of screen if necessary. Screen may be mounted as in suspended or wall installation. (See separate instruction sheet included with Ceiling Opening Trim Kit).

Please Note: Ceiling Opening Trim Kit is for use in an acoustical, drop ceiling only. Not recommended for drywall or hard ceilings.

Figure 5

Section 4 - Dimensions

