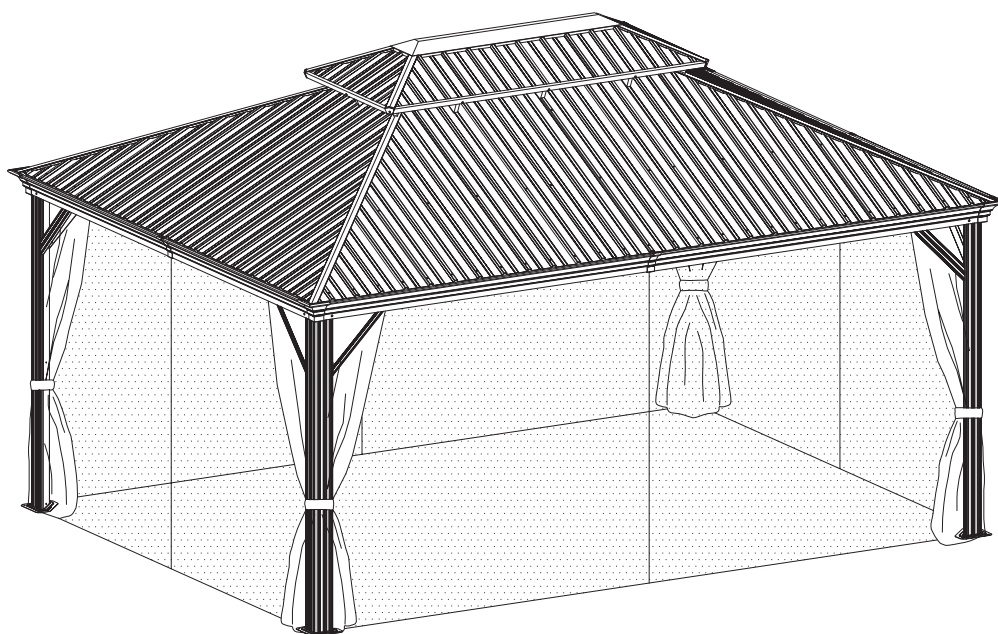
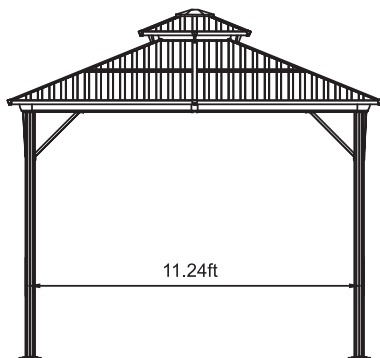
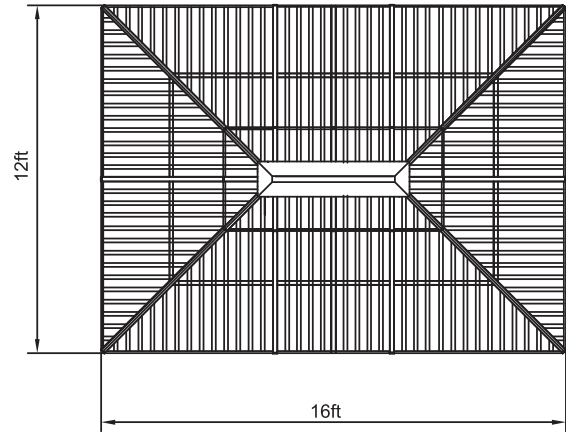
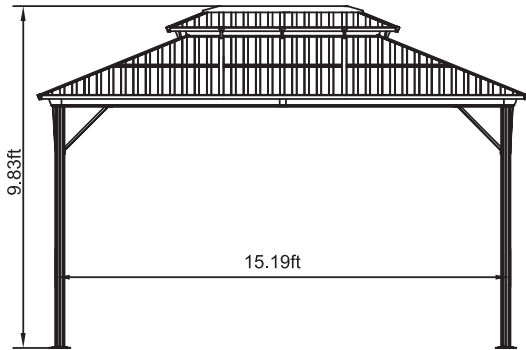


12x16ft Gazebo Instruction Manual



GAZEBO DIMENSION



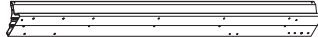
4-5 people work together

REQUIRED TOOLS





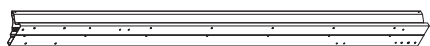
A 4x



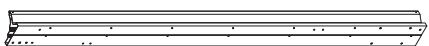
B 2x



B1 2x



B2 2x



B3 2x



C 2x



C1 2x



C2 2x



C3 2x



D 2x



D1 2x



D2 2x



D3 2x



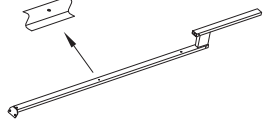
D4 2x



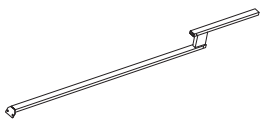
D5 2x



E 4x



E1 4x



E2 4x



F 2x





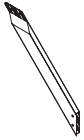

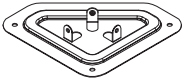
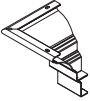

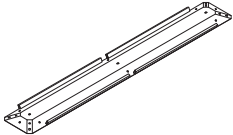
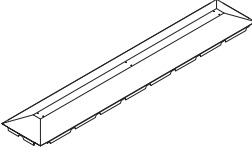

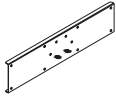




















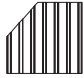






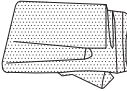


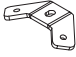
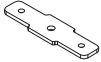
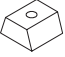
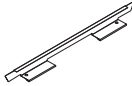



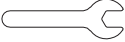










F1 4x



F2 4x

1

2				
	(G1) 2x		(G2) 2x	
				
	(G3) 2x		(G4) 2x	
				
	(H) 4x	(H1) 4x	(J) 4x	(K) 4x
				
	(K1) 4x	(L) 1x	(M) 1x	(N) 8x
				
	(P) 4x	(Q1) 2x	(Q8) 2x	(Q2) 2x
				(Q7) 2x
	(Q3) 2x	(Q6) 2x		
(Q4) 2x	(Q5) 2x	(R1) 2x	(R10) 2x	
				
(R2) 2x	(R9) 2x	(R3) 2x	(R8) 2x	
				
(R4) 2x	(R7) 2x	(R5) 2x	(R6) 2x	
				
(S) 2x		(Sa) 2x		
				
(S1) 2x	(S6) 2x	(S2) 2x	(S5) 2x	
				
(S3) 2x	(S4) 2x	(T) 4x		

			
T1 4x	U 128x	V 4x	W 4x
			
W1 8x	Y 140x	Z 72x	Z1 16x
 1x		 1x	
 1x			
 M6x16	 M6x23	 M6x25	 ST 4.8x12
1 288x	2 88x	3 5x	4 24x
	 M6x42	 M6x47	 M6x10
5 3x	6 8x	7 40x	8 16x

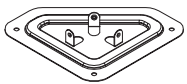
<1>



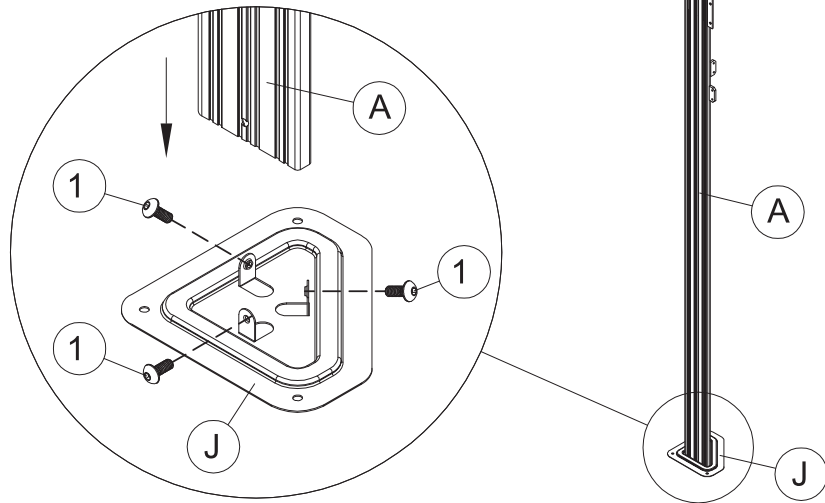
A 4x



1 12x M6x16

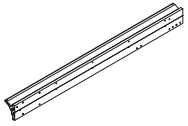


J 4x

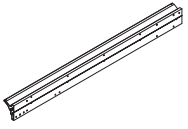


4

<2>



B 2x



B1 2x



C 2x



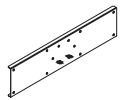
C1 2x



D 2x



D1 2x

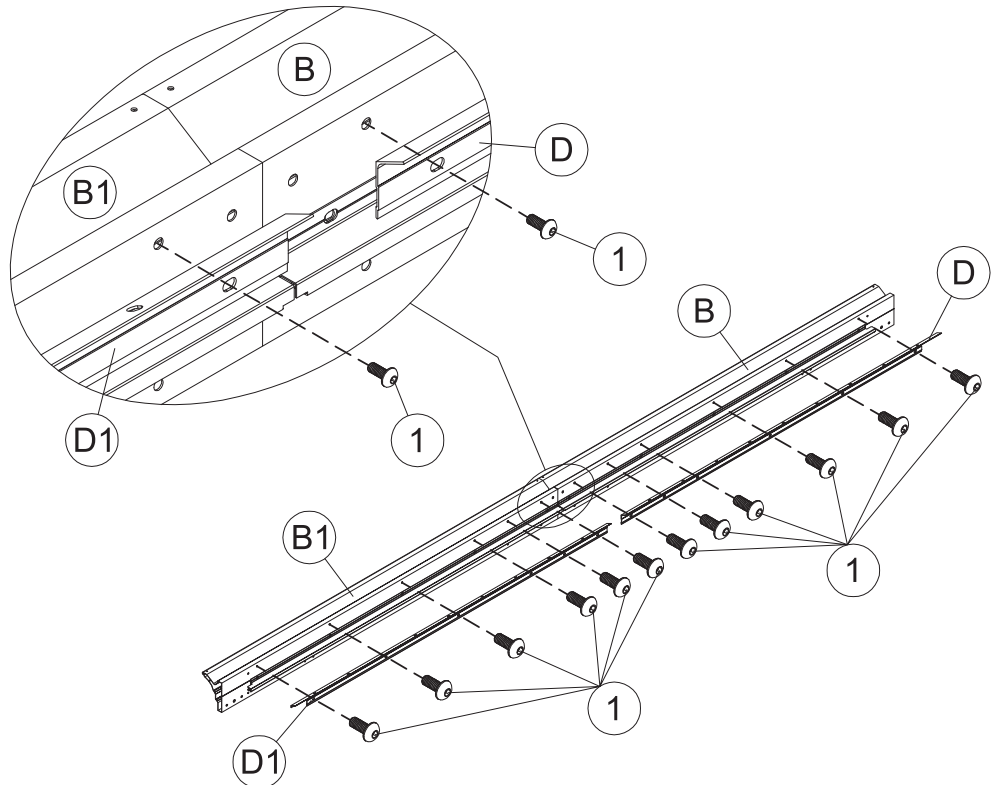
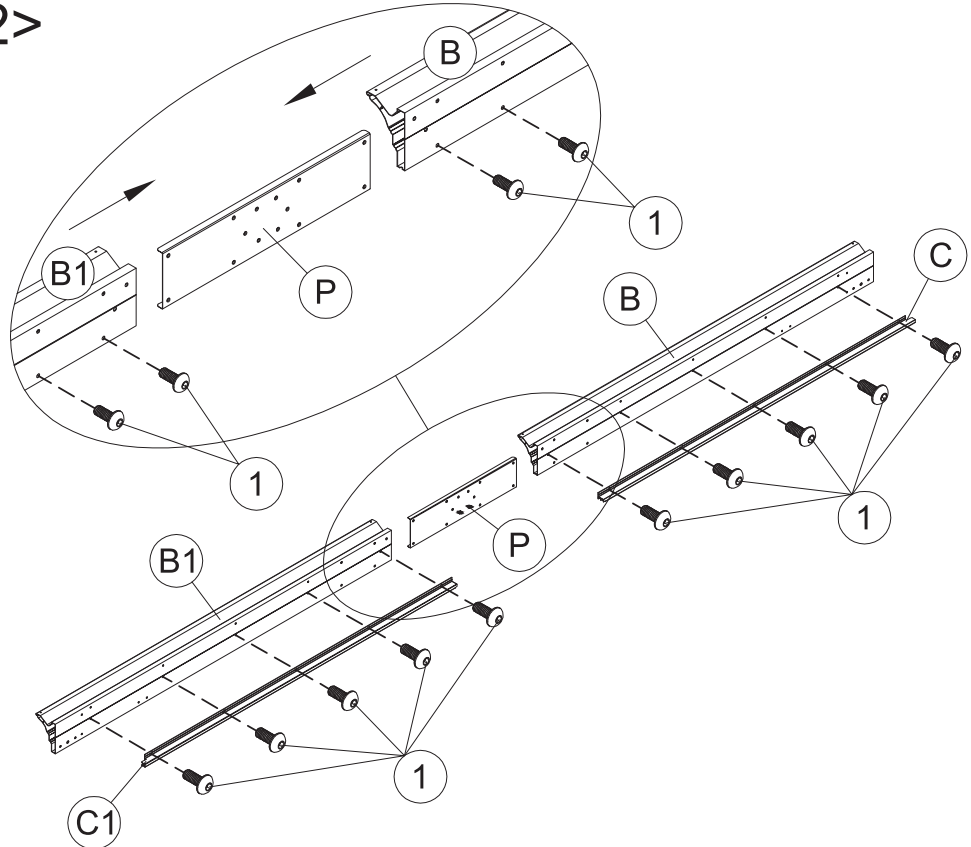


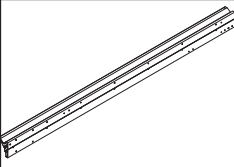
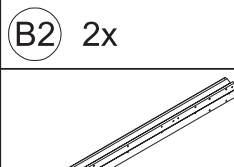
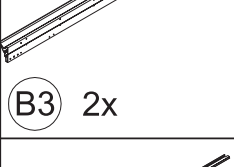

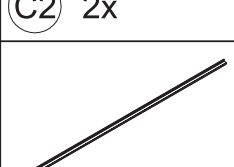
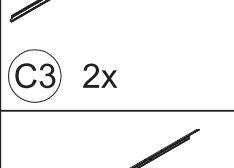
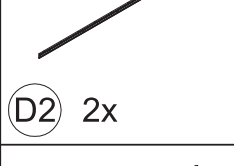
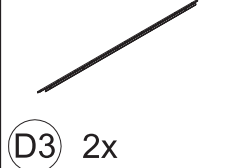
P 2x

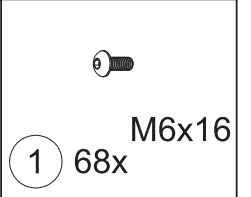
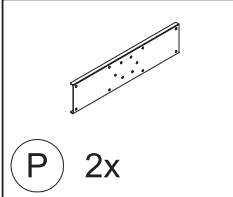
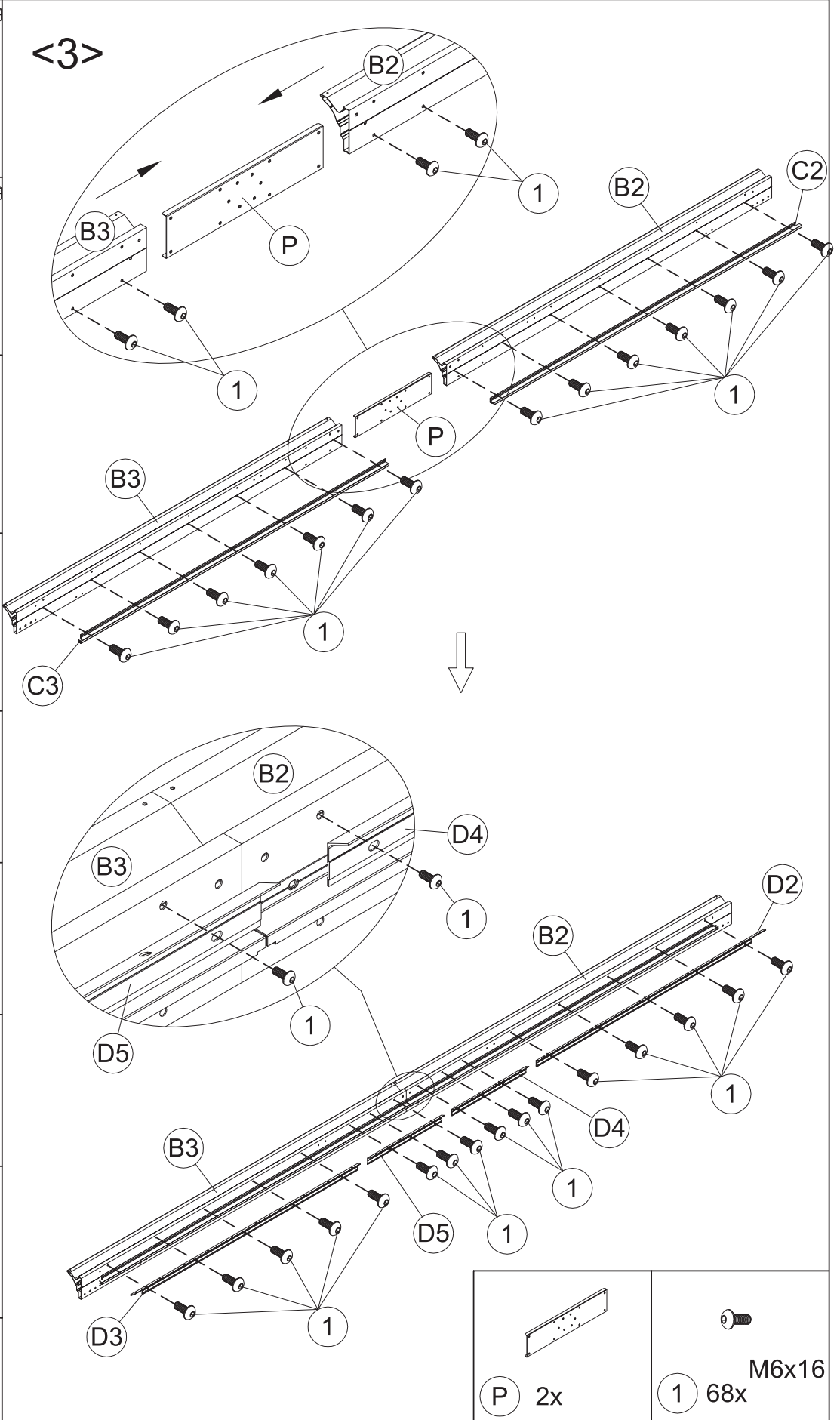


1 52x
M6x16

5



-  B2 2x
-  B3 2x
-  C2 2x
-  C3 2x
-  D2 2x
-  D3 2x
-  D4 2x
-  D5 2x
- 6**





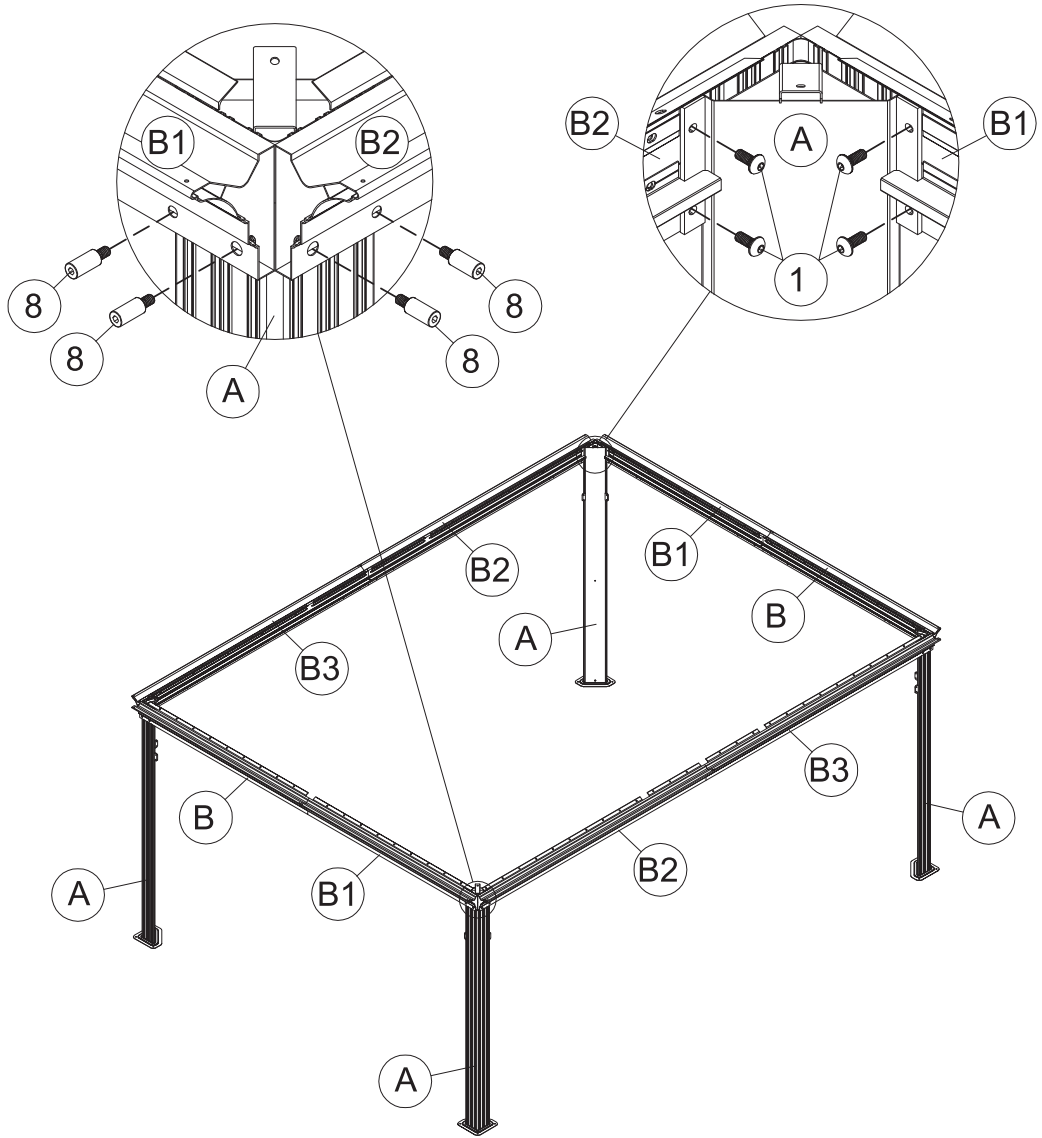
M6x16

1 16x

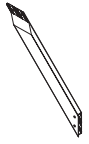


8 M6x10

<4>



7



(H) 4x

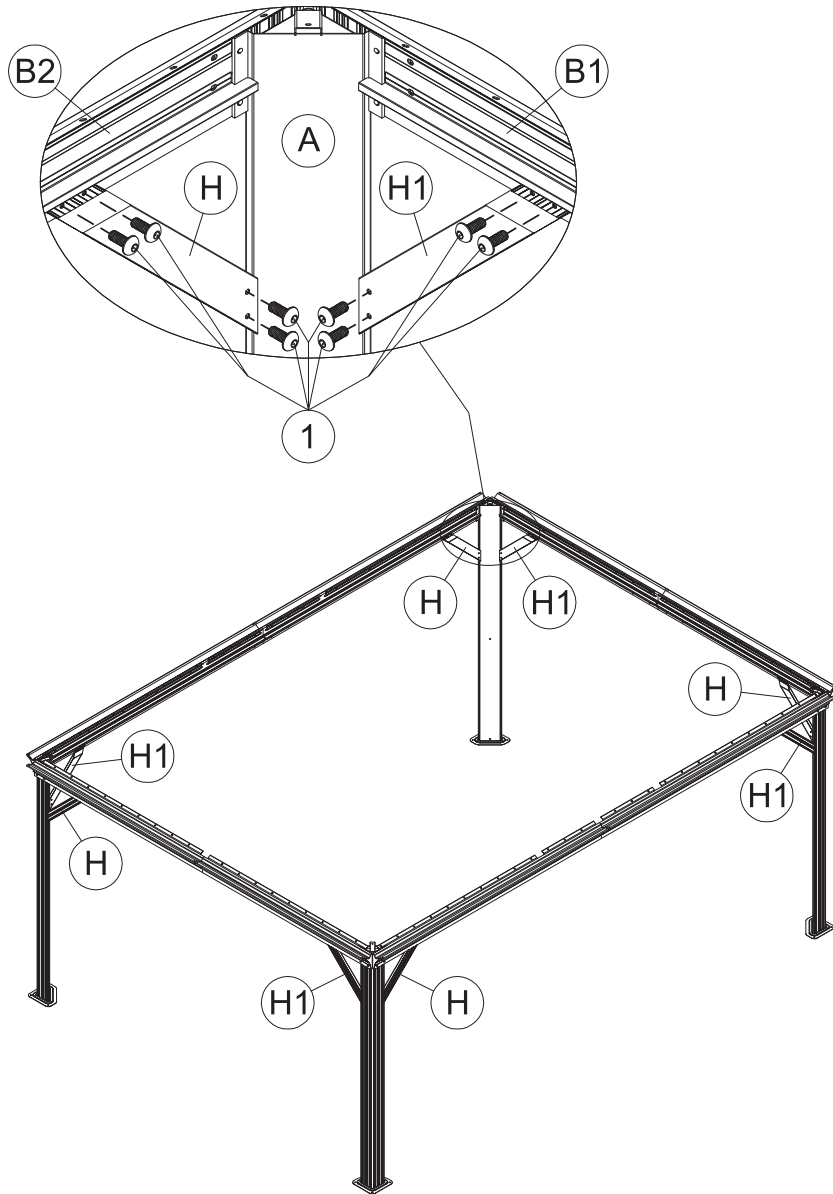


(H1) 4x



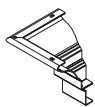
(1) 32x M6x16

<5>



8

<6>



(K) 4x



(K1) 4x



(U) 128x



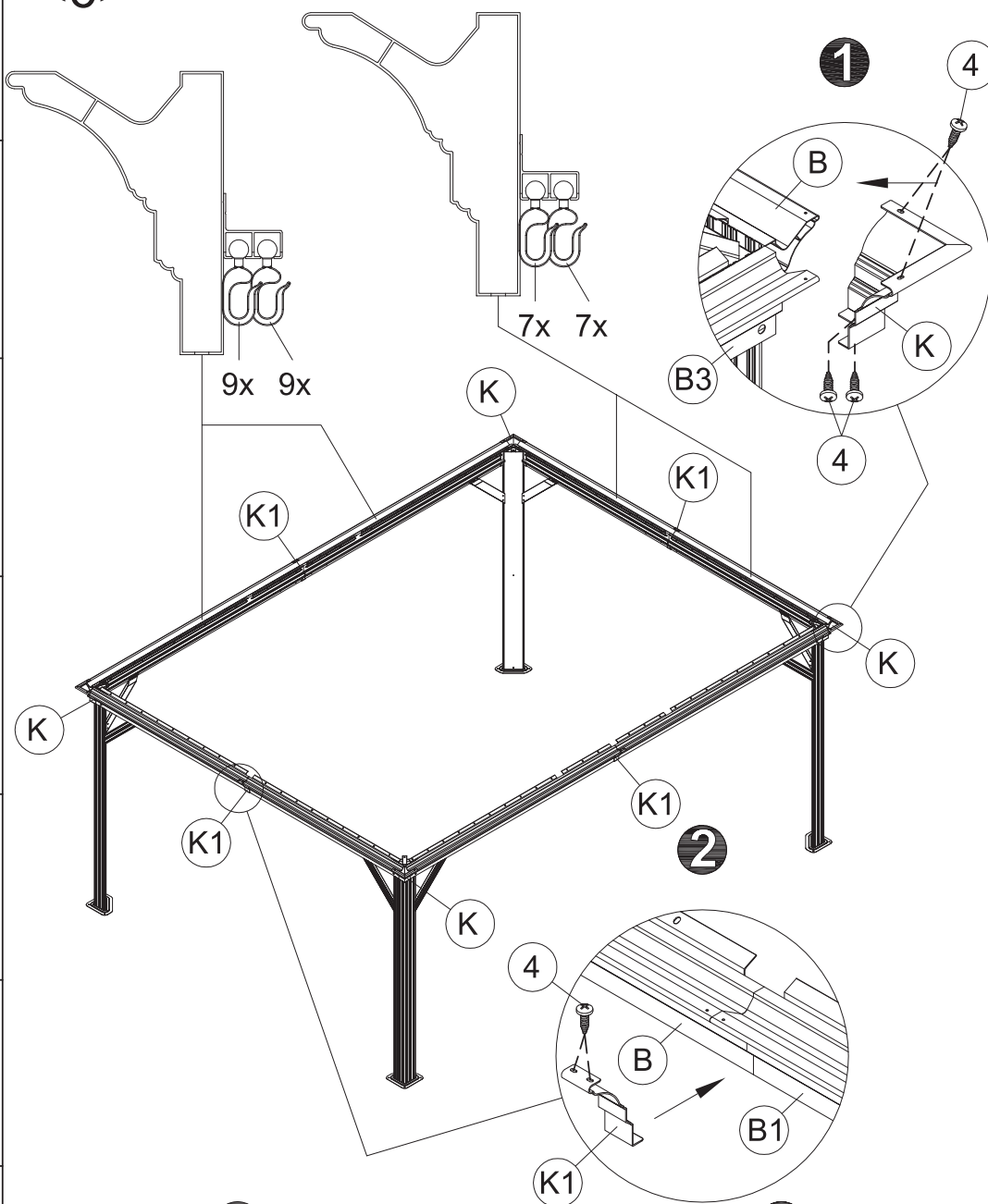
(V) 4x



(1) 4x M6x16

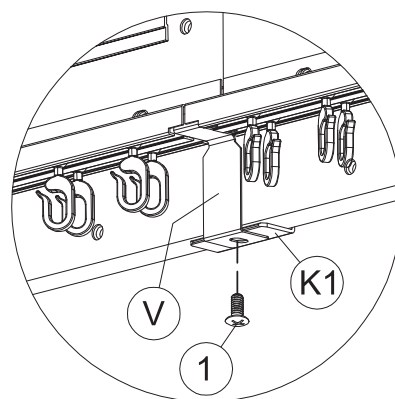
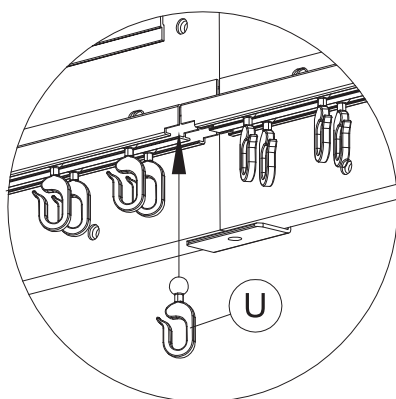


(4) 24x ST4.8x12



3

4

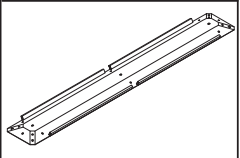


9



<7>

(E) 4x

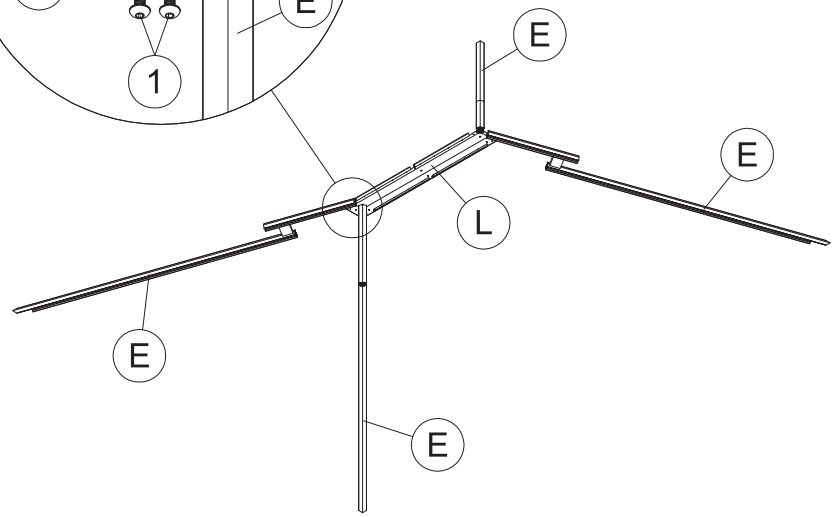
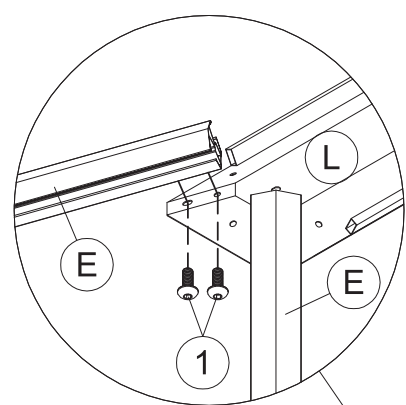


(L) 1x



(1) 8x M6x16

Top Frame

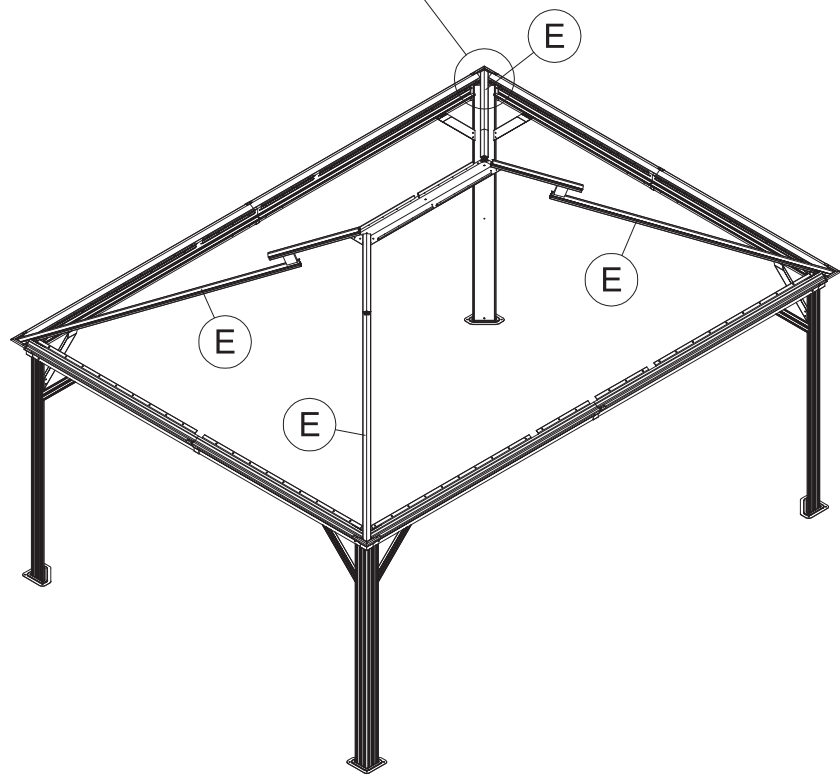
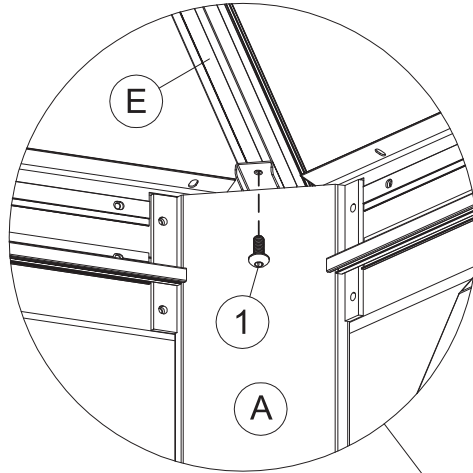


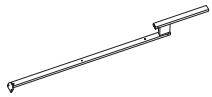


<8>

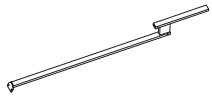
M6x16

1 4x





E1 4x



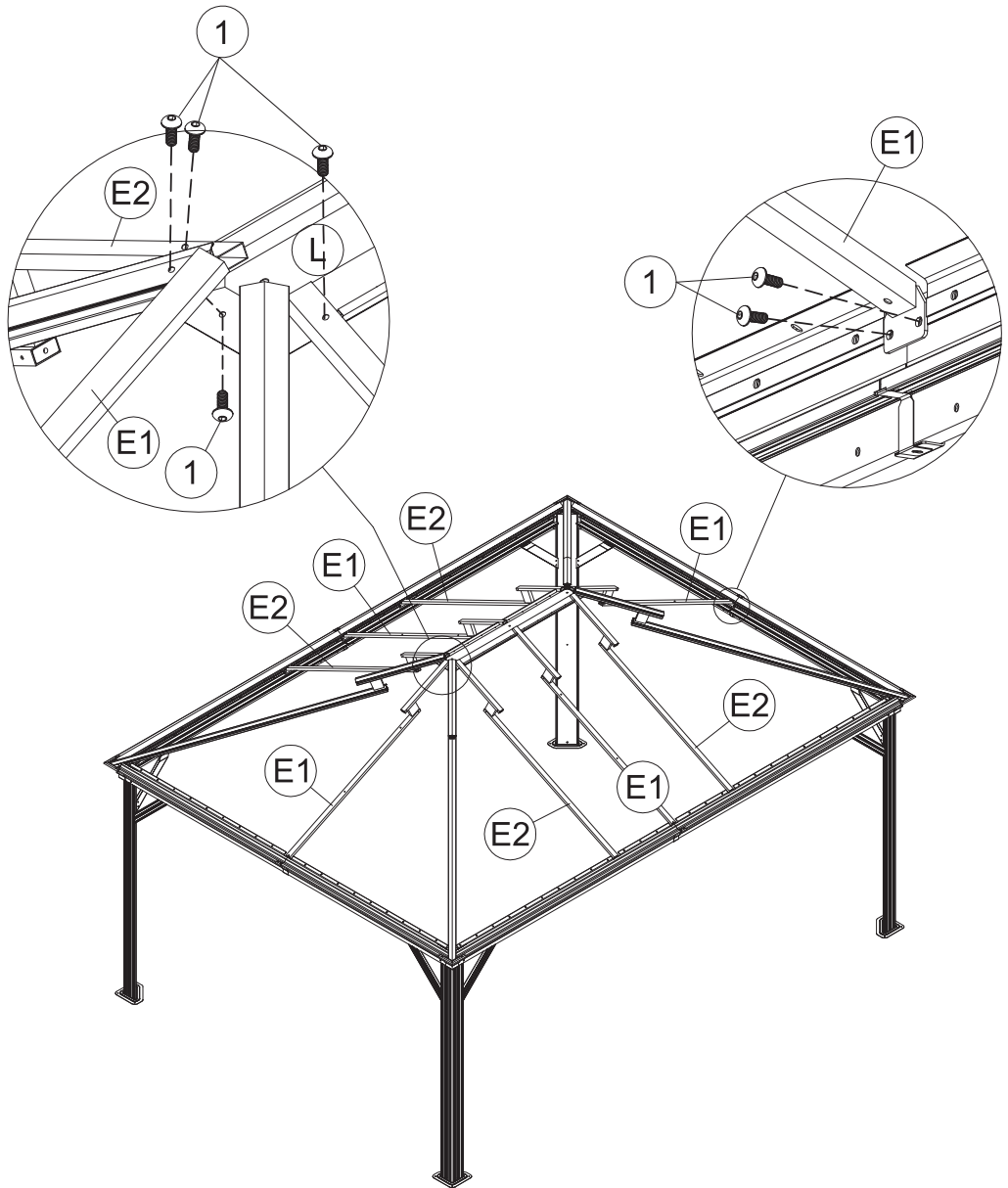
E2 4x

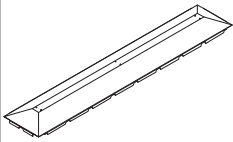


M6x16

1 24x

<9>



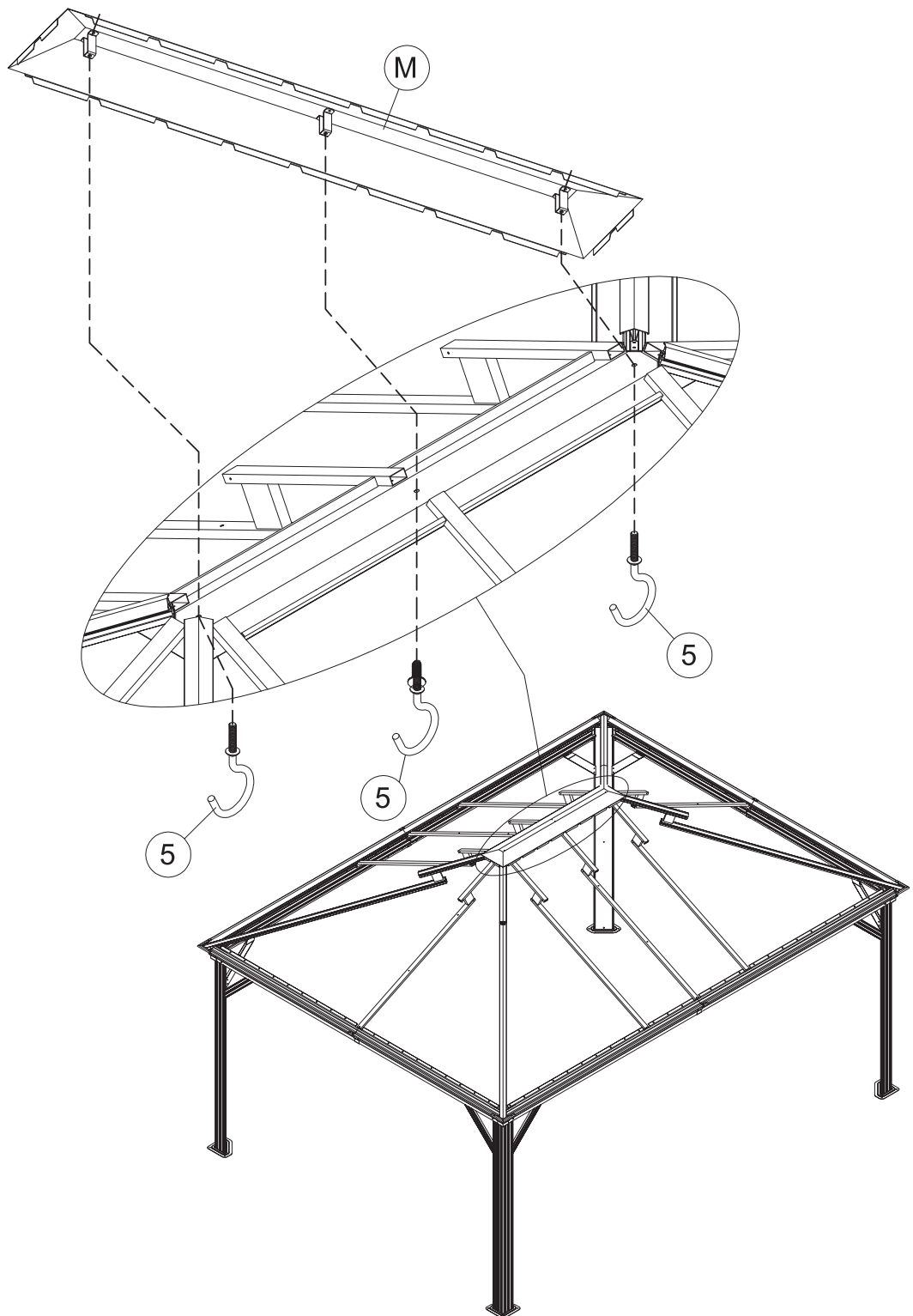


<10>

(M) 1x



(5) 3x





<11>

G3 2x

G4 2x

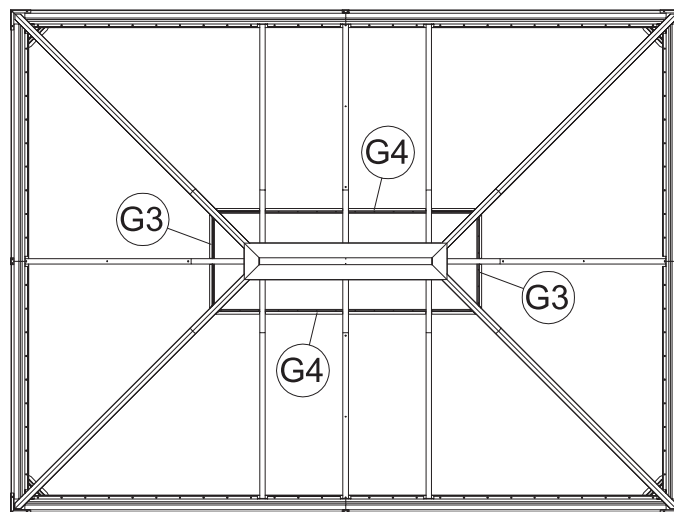
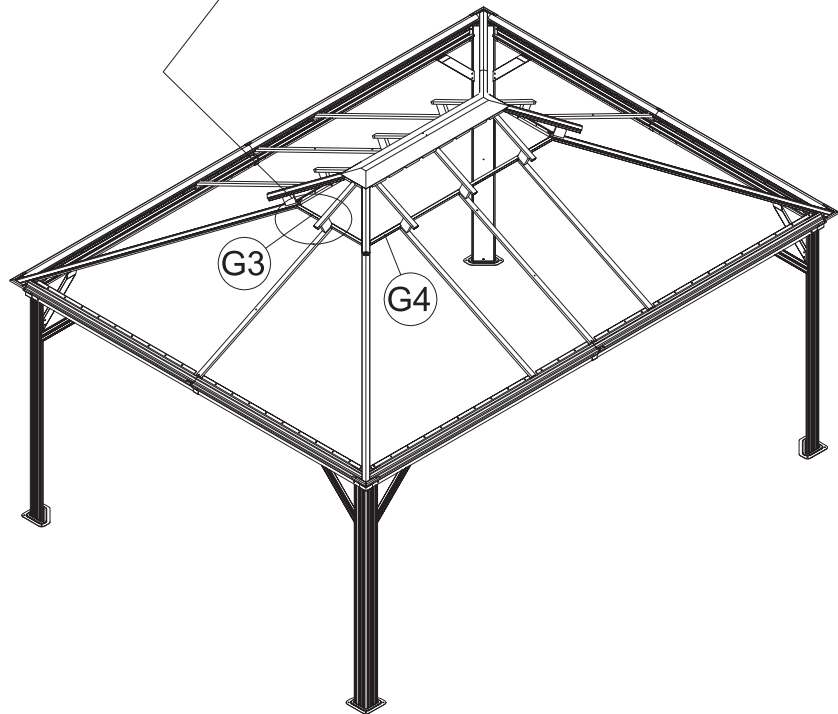
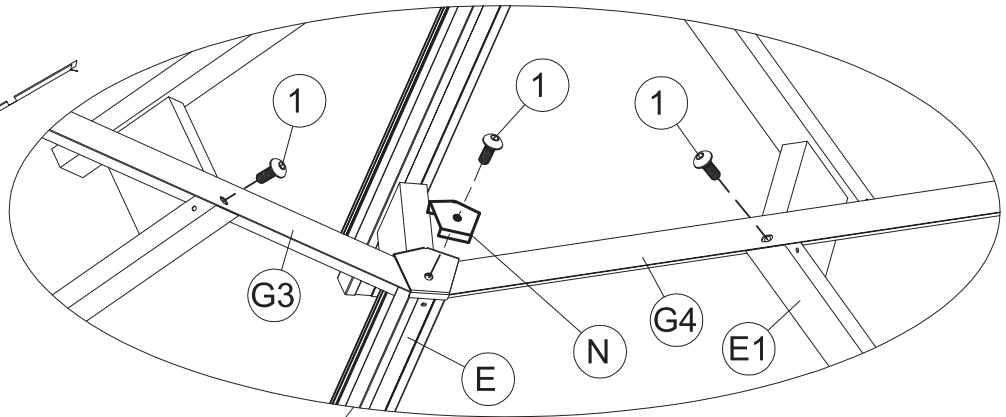


N 4x



1 12x

M6x16



14

<12>



Q1 2x

Q8 2x



Q2 2x

Q7 2x



Q3 2x

Q6 2x



Q4 2x

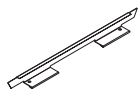
Q5 2x



S 2x



Sa 2x

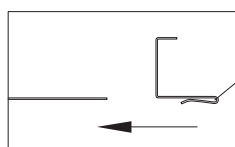
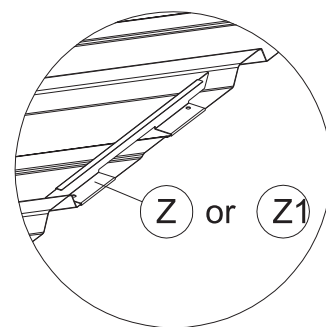
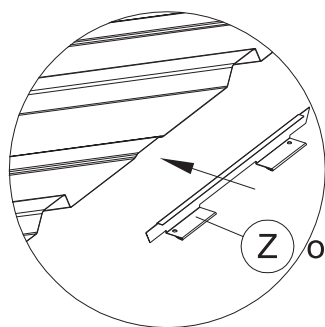


Z 36x

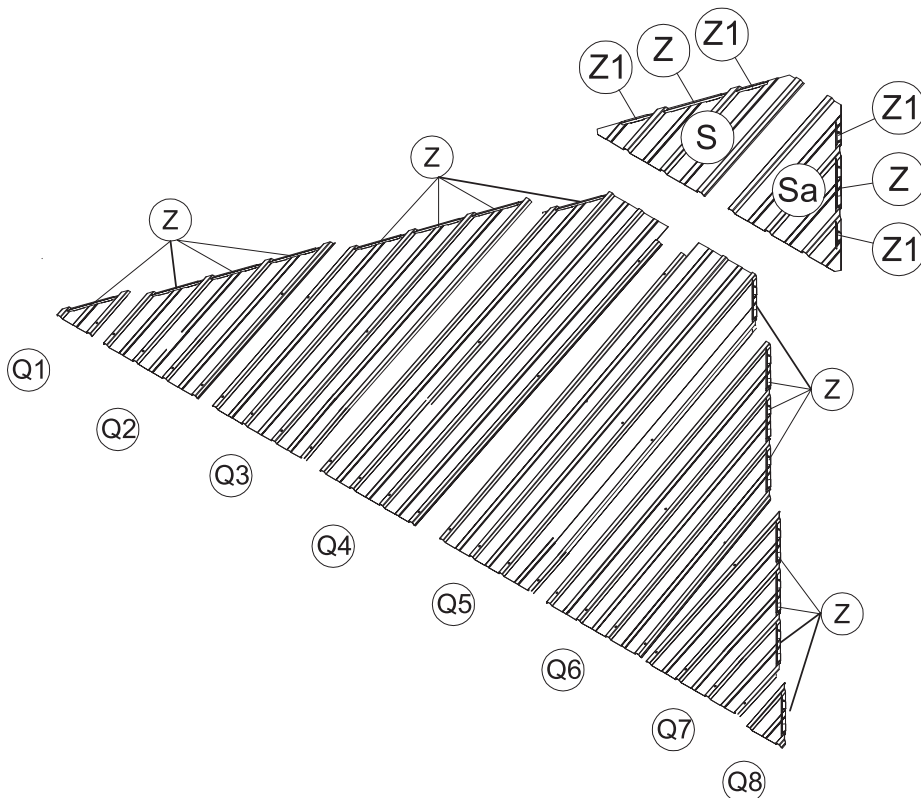


Z1 8x

15

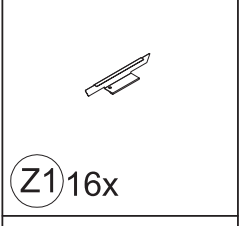
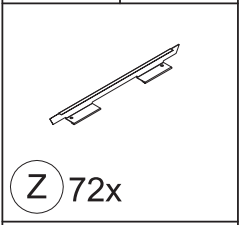


Z or Z1

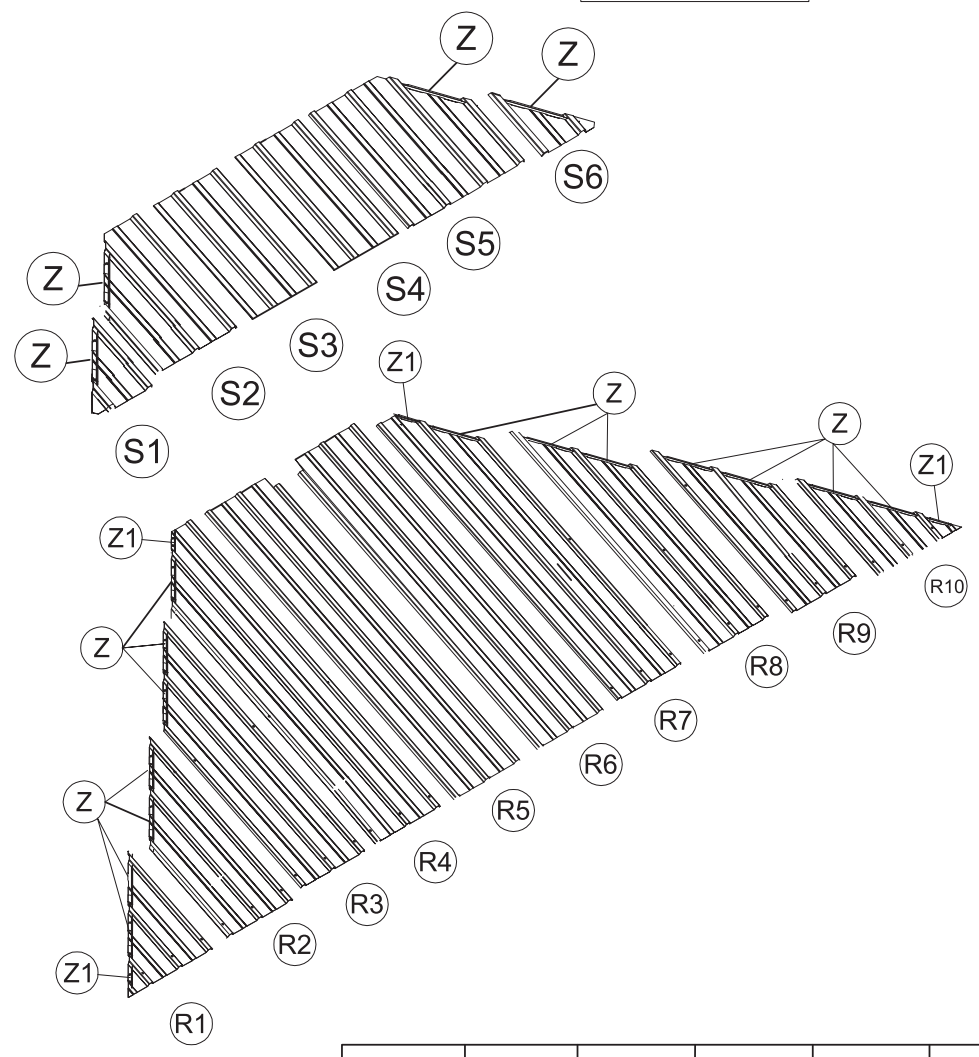
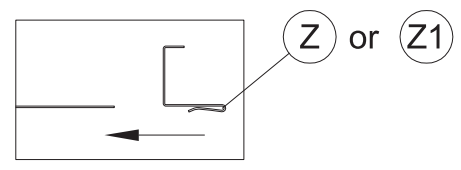
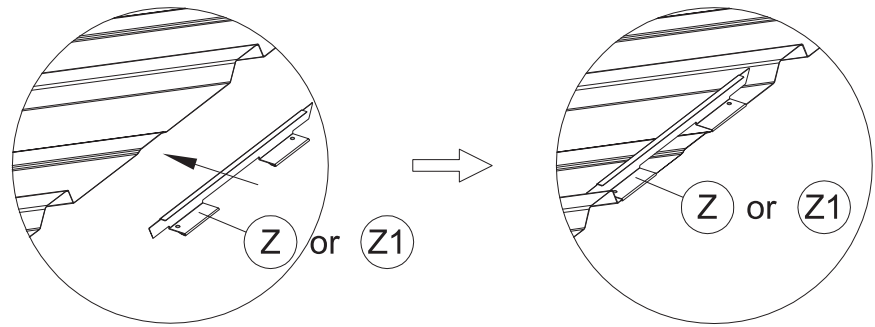


<13>

(R1) 2x	(R10) 2x
(R2) 2x	(R9) 2x
(R3) 2x	(R8) 2x
(R4) 2x	(R7) 2x
(R5) 2x	(R6) 2x

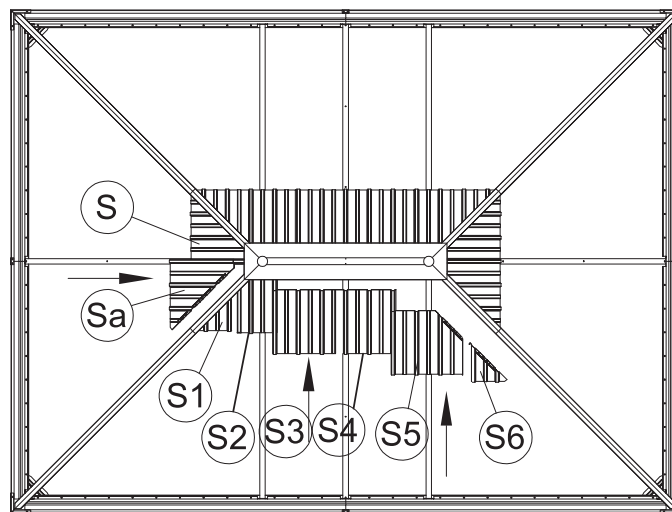
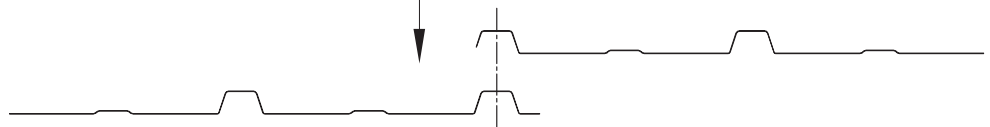
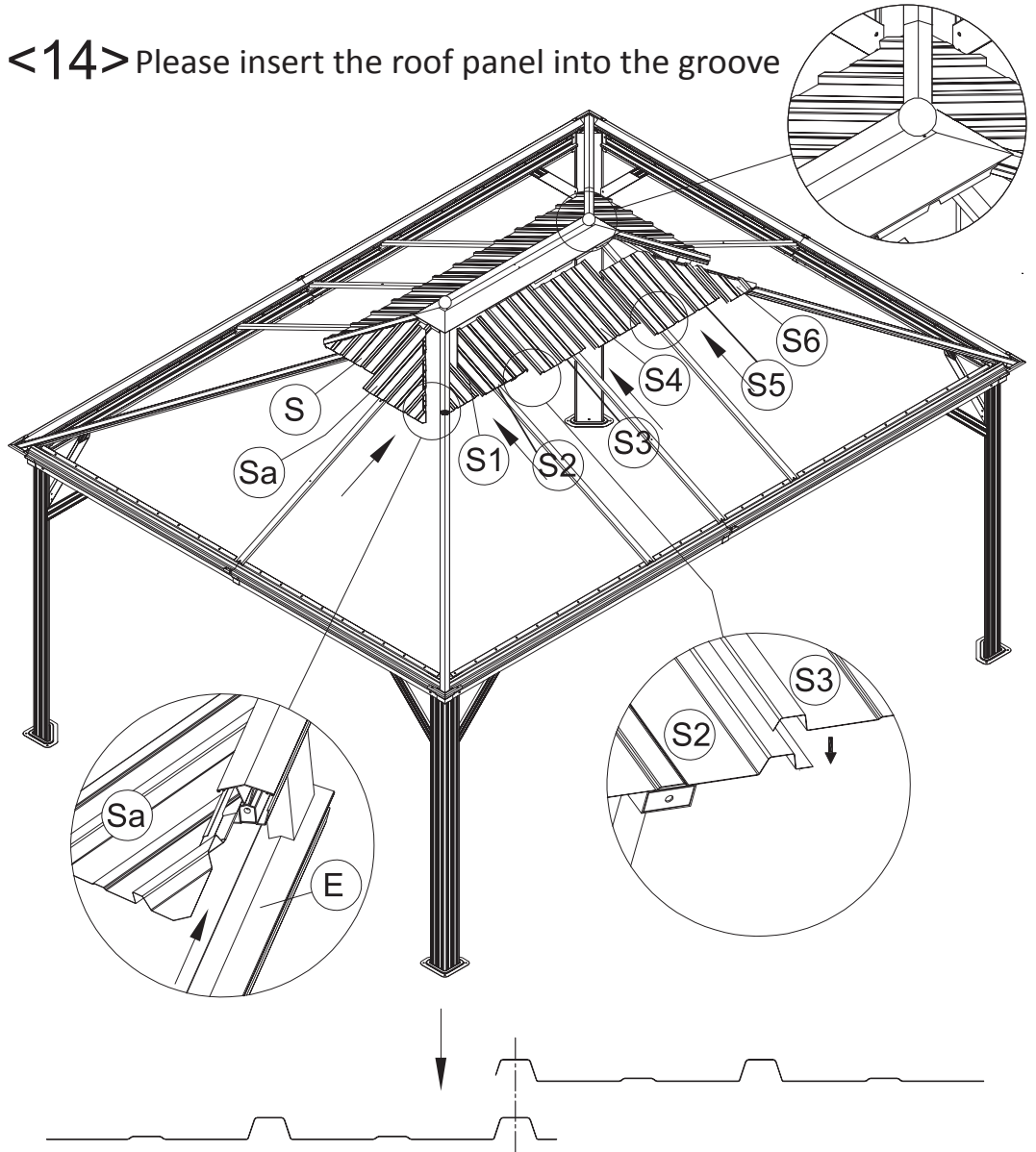


16



(S1) 2x	(S6) 2x	(S2) 2x	(S5) 2x	(S3) 2x	(S4) 2x

<14> Please insert the roof panel into the groove



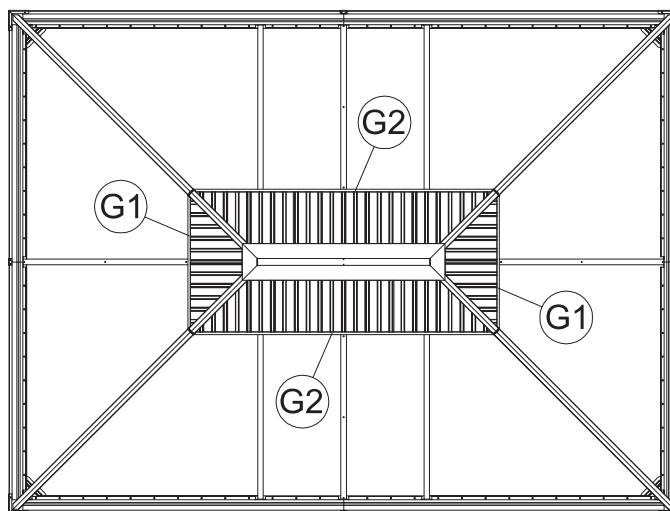
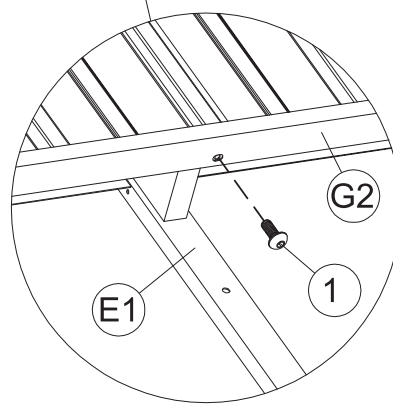
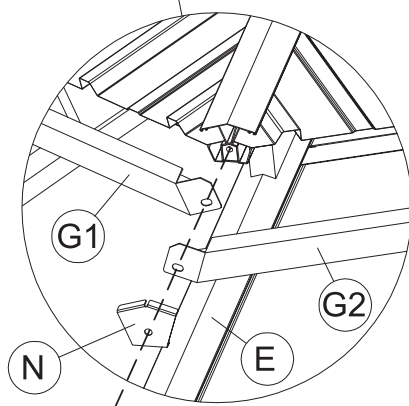
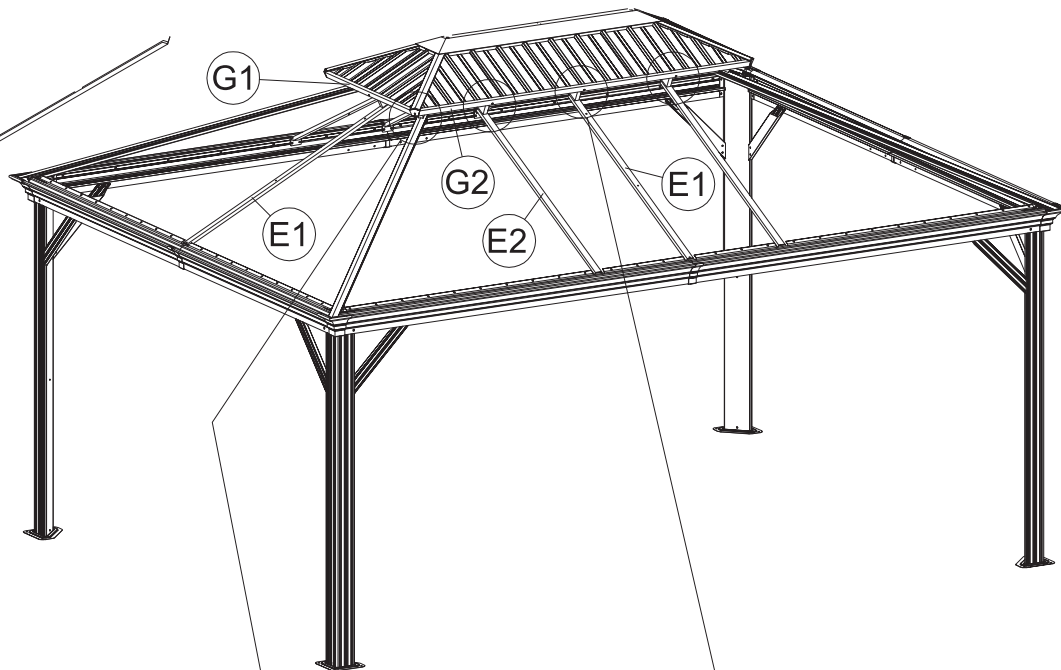
<15>

G1 2x

G2 2x

N 4x

1 12x M6x16



18

<16>

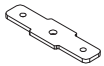
F 2x

F1 4x

F2 4x



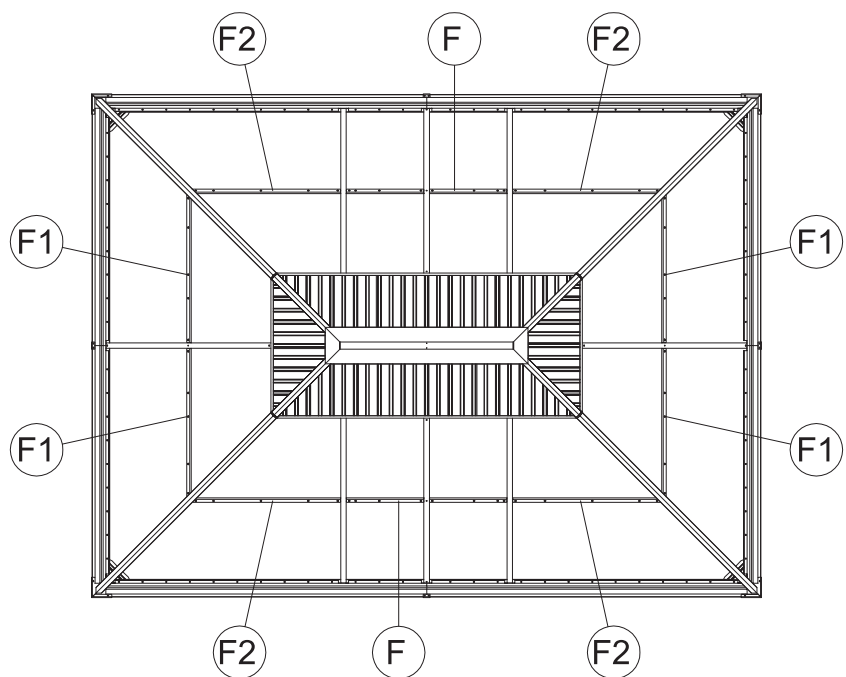
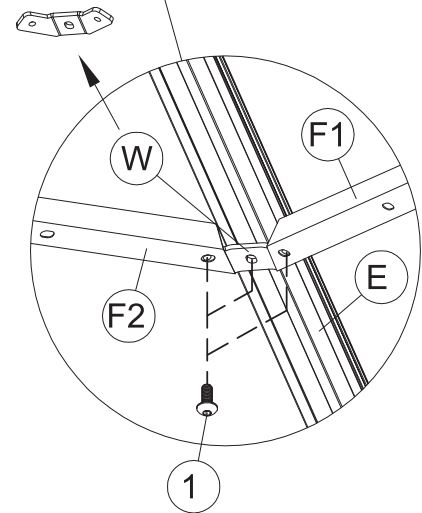
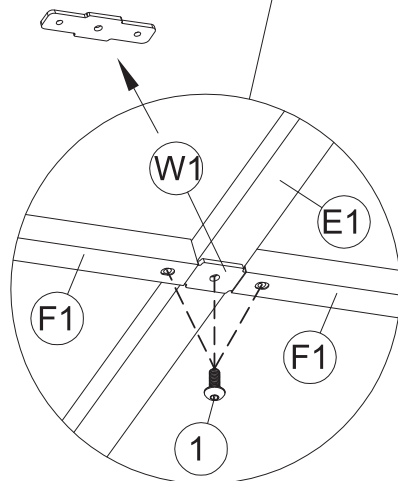
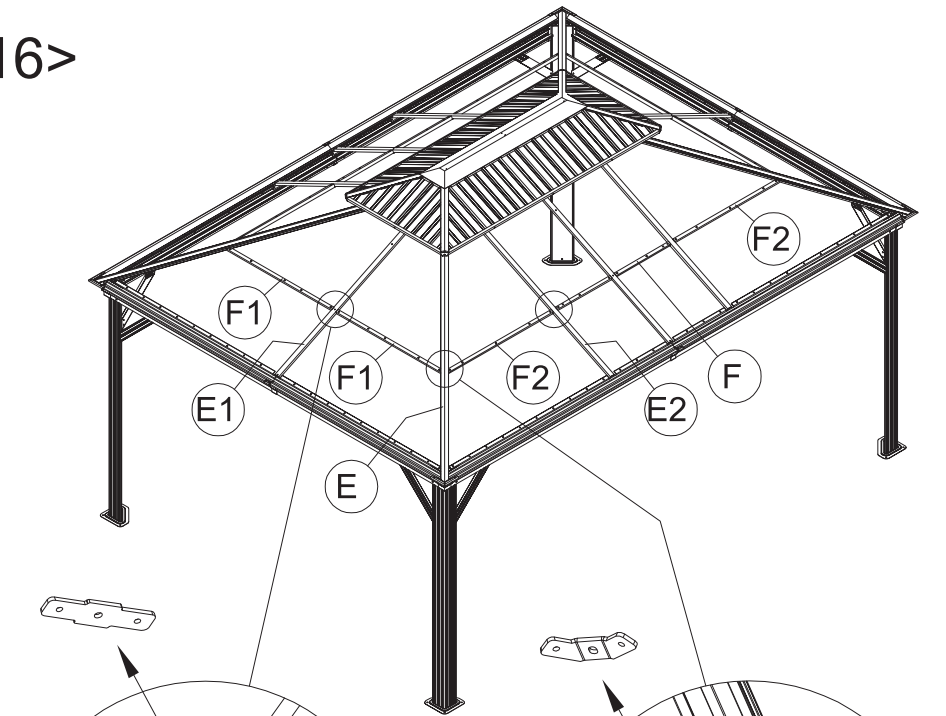
W 4x



W1 8x

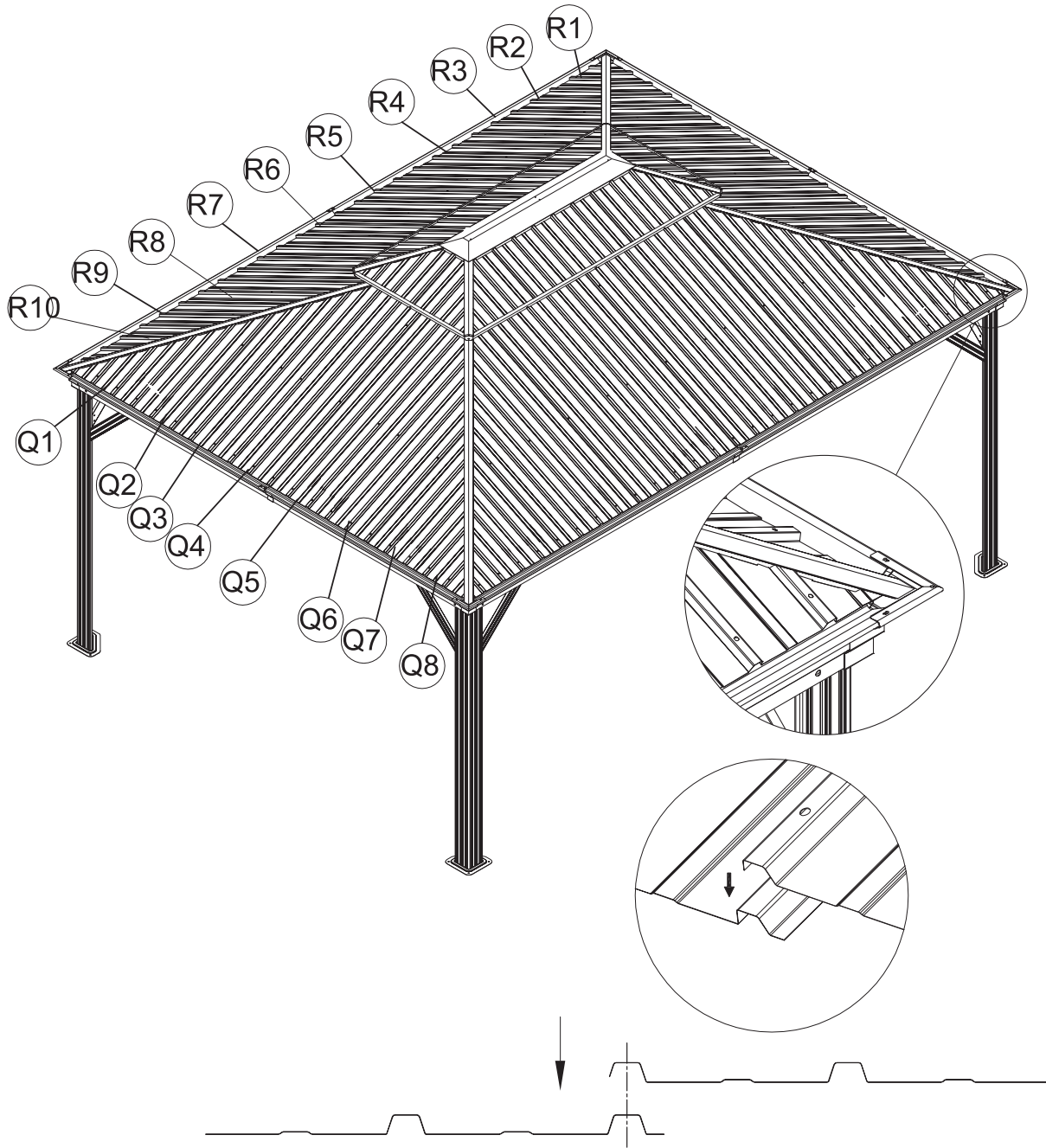


1 36x
M6x16

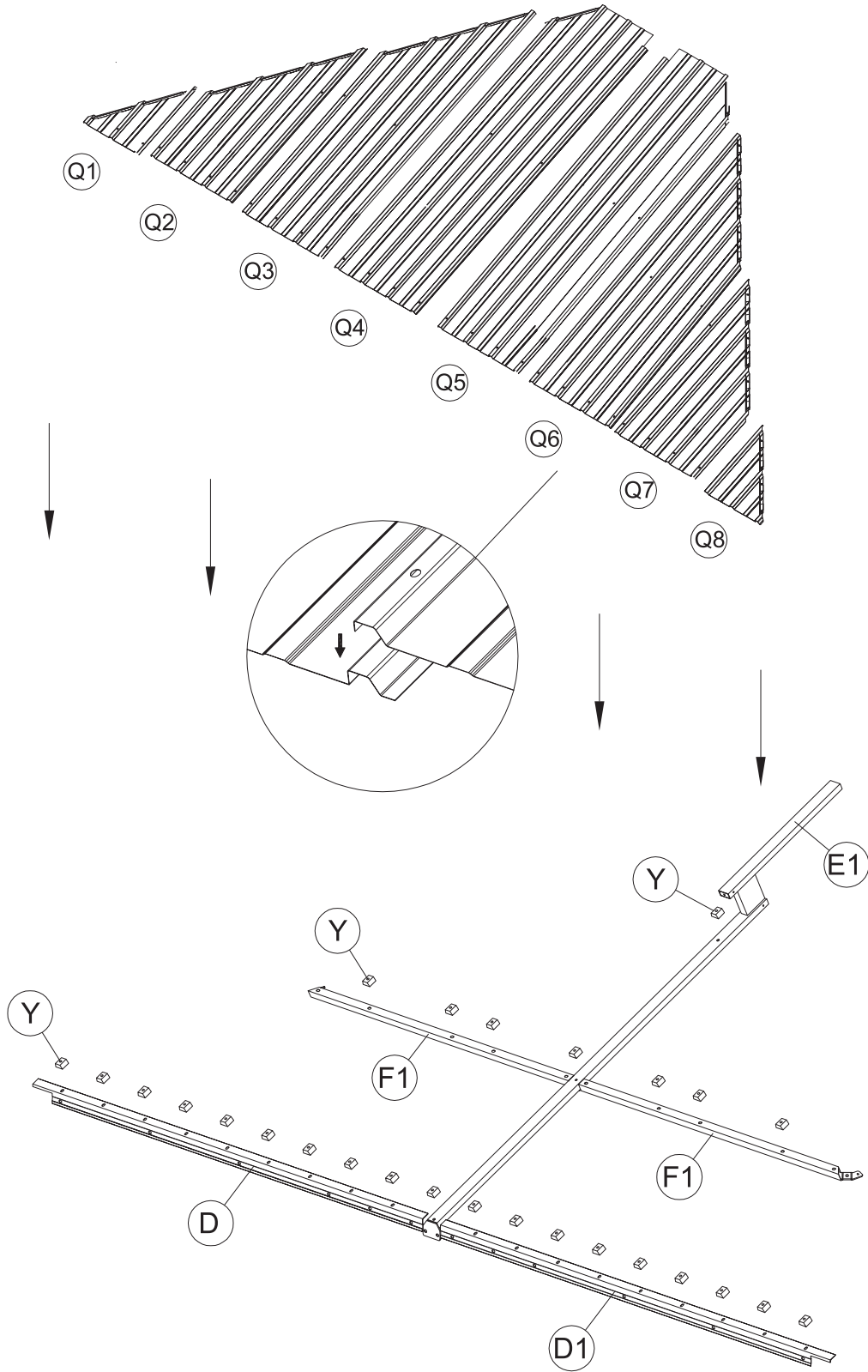


19

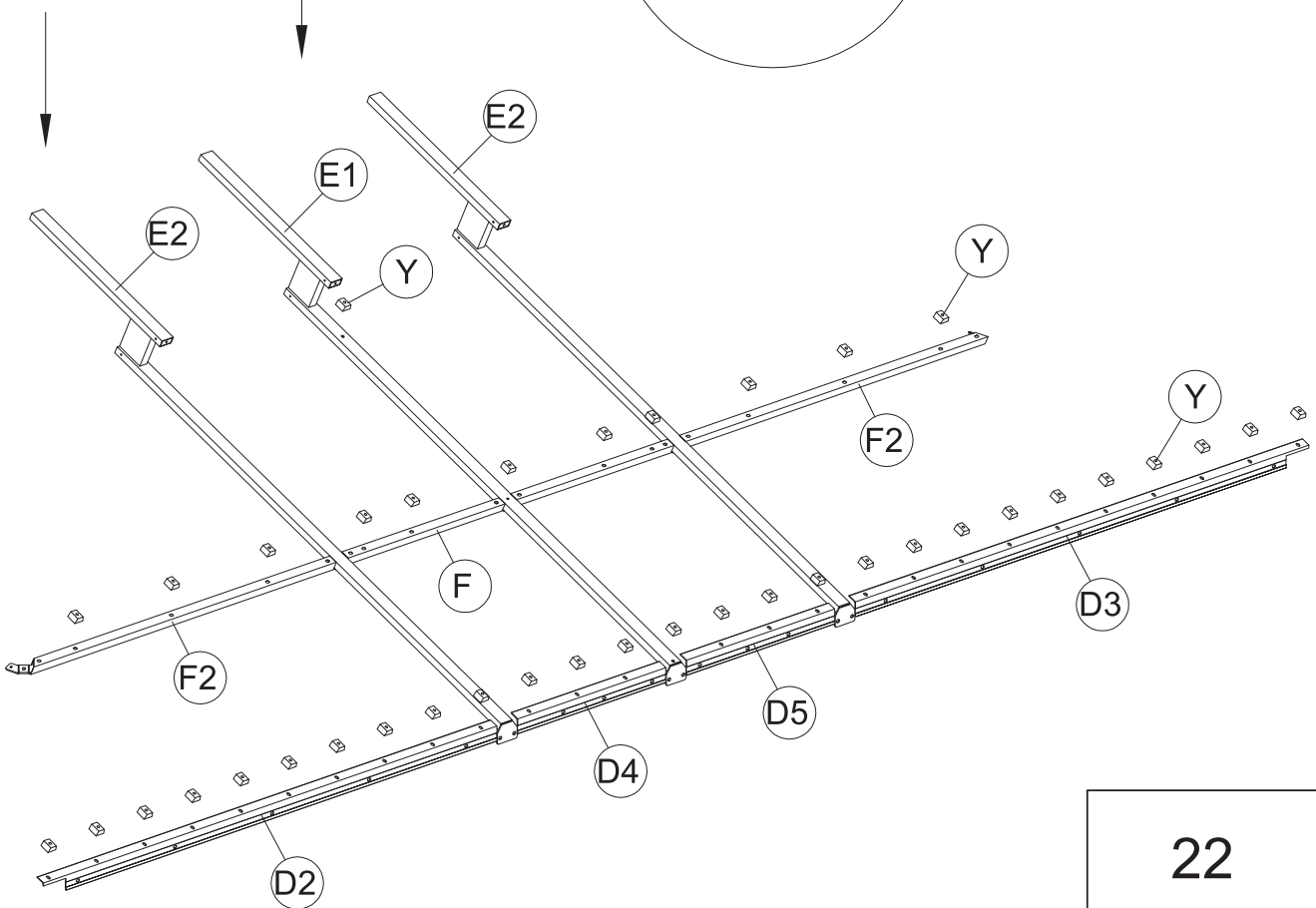
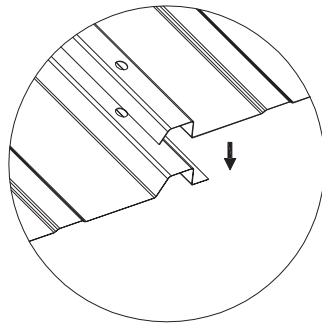
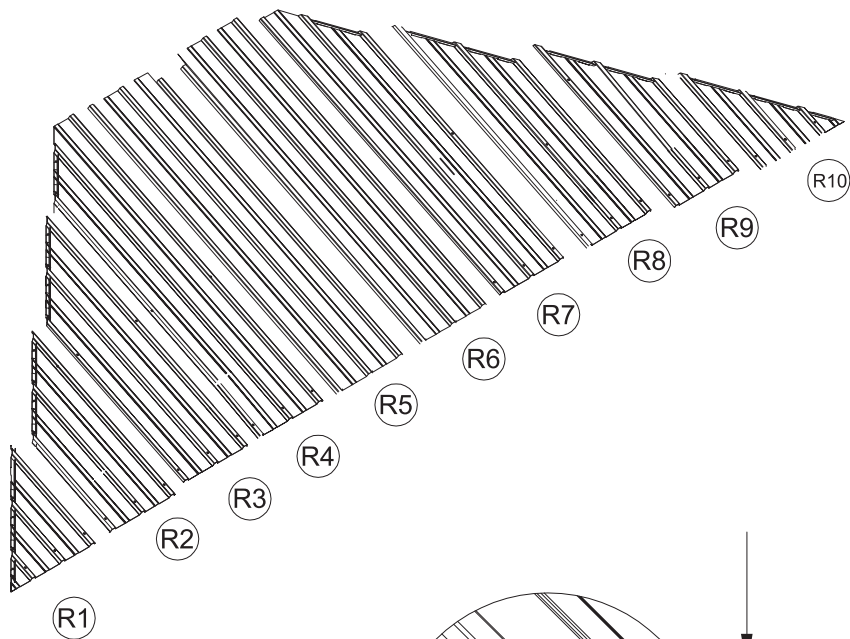
<17>



<18> Installation position of waterproof plugs



<19>





<20>

Y 140x



2 M6x23
88x



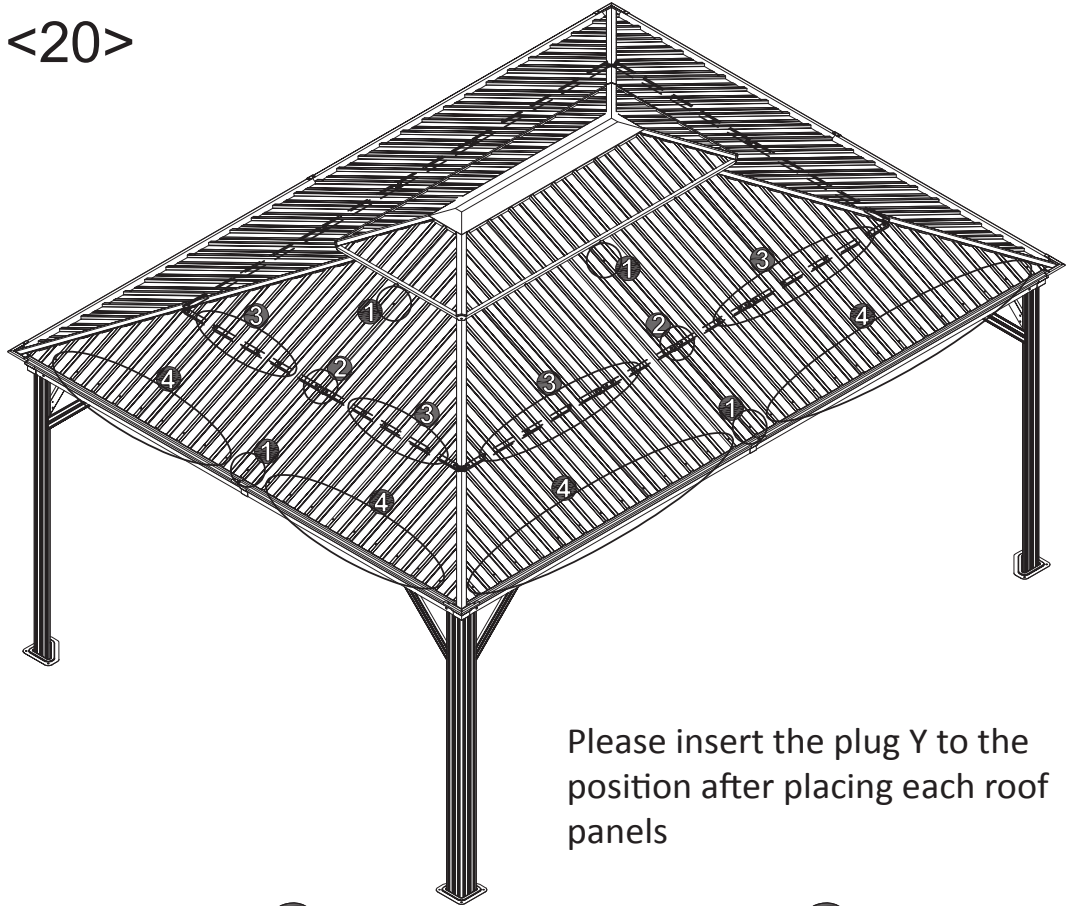
6 M6x42
8x



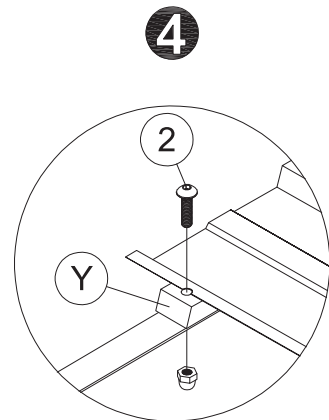
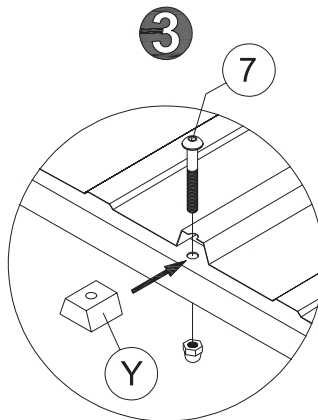
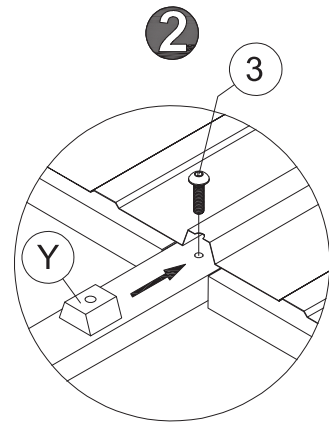
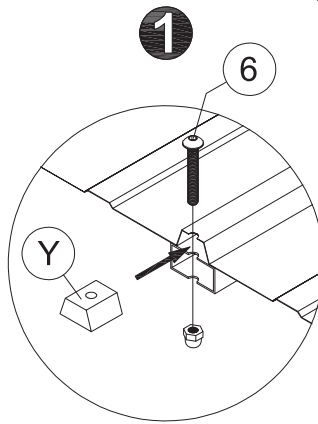
7 M6x47
40x

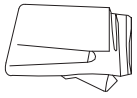


3 M6x25
4x



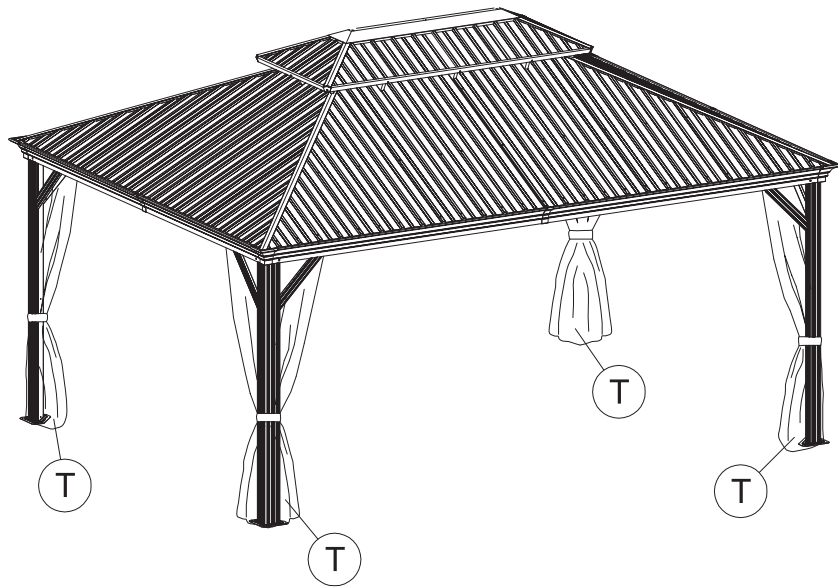
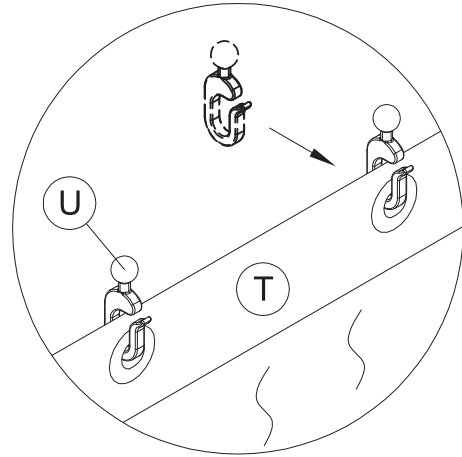
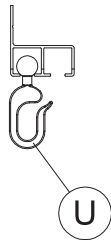
Please insert the plug Y to the position after placing each roof panels

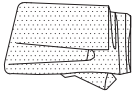




<21>

T 4x



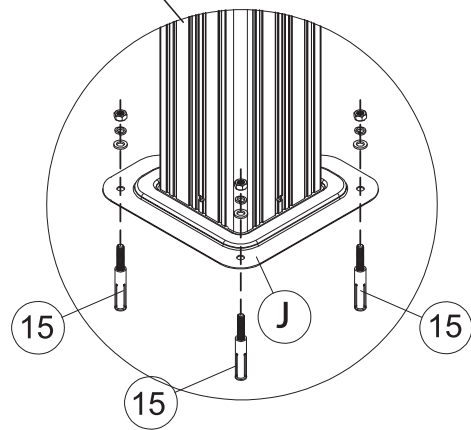
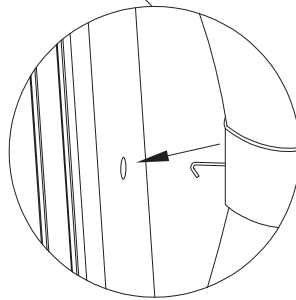
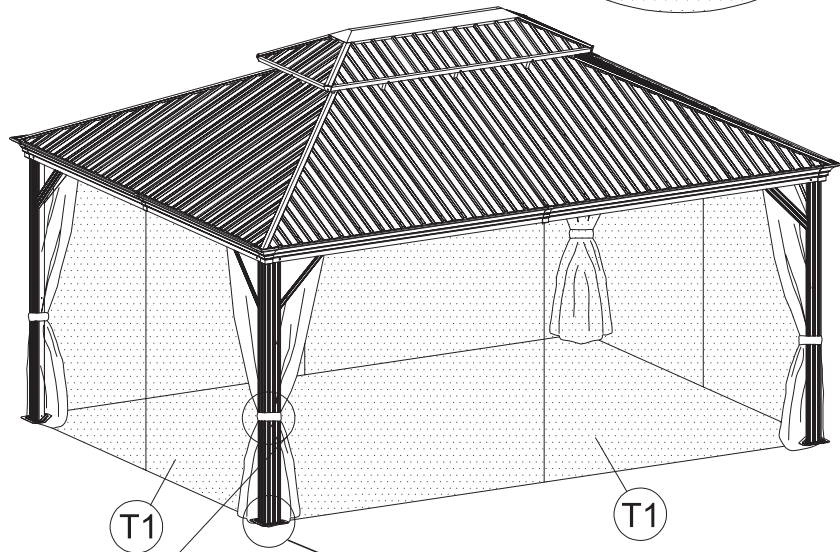
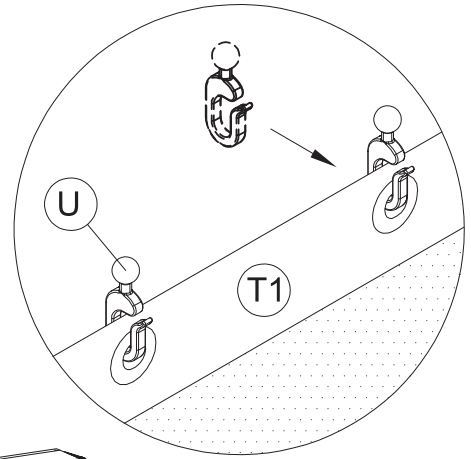
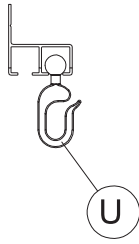


<22>

T1 4x



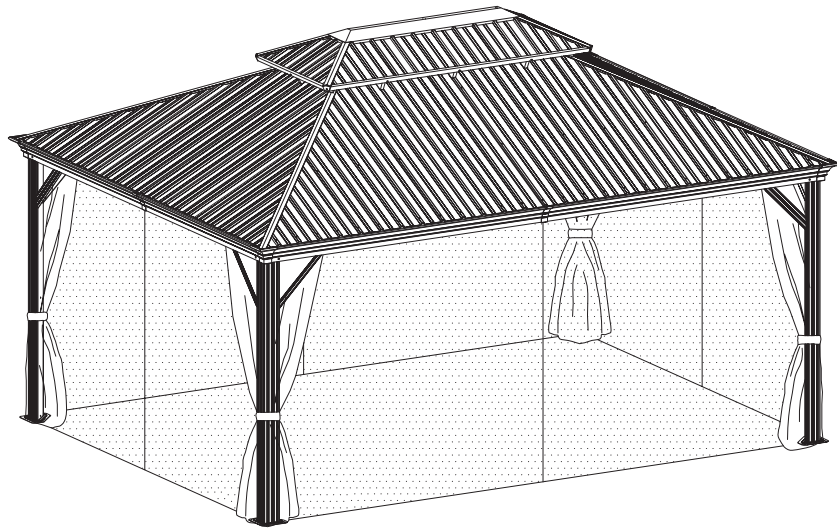
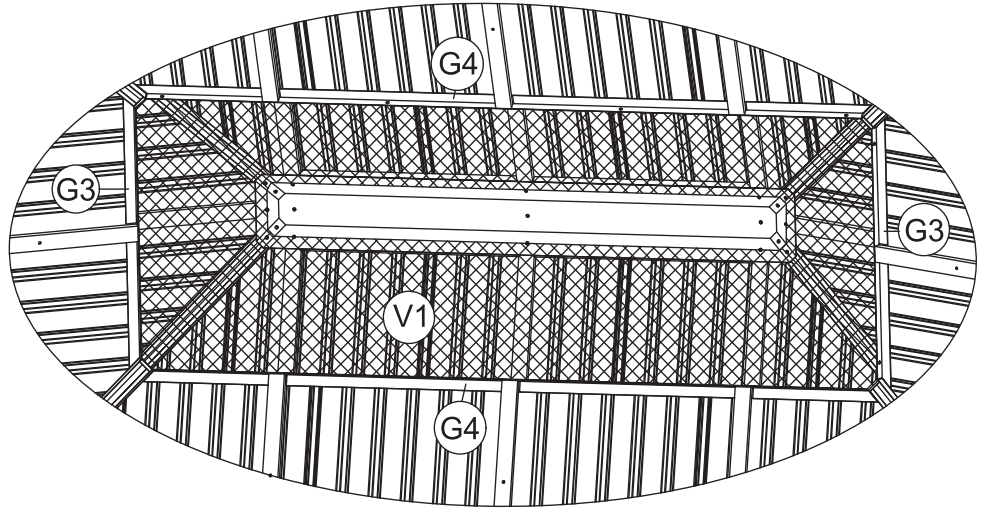
15 12x





<23>

V1 1x



CONTACT US

For any defects, parts missing, use or repair concerning our products, please contact us first, our customer service will reply within 24 hours and offer a good solution. Thank you for your support.

E-MAIL: servicevip02@hotmail.com

Amazon Message: Click the Sold by "store name" under the buy box, then "ask a question". (Amazon Buyer)

IMPORTANT

You must read these instructions carefully before you start to assemble this Please ensure that you find all parts in the carton box in the correct type and quantity as mentioned in the list illustrated in every page accordingly. Please carry out the steps in the order set out in these instructions.

Package contains 5 boxes, The outer box may arrive in different time periods, Please wait patiently

WARRANTY

5 years warranty on the hardtop roof, 2 years warranty on the curtain and netting, 1 year warranty on the frame constructions.

Lifetime technical service support.

The following circumstances are not covered by the warranty:

- a. Products without proof of purchase.
- b. Damages caused by human factors, incorrect usage in disregard of the instructions, or self-disassembly and repair.
- c. Products that exceed the warranty period.

SAFETY ADVICE

We strongly recommend the use of work gloves during assembly.

Do not attempt to assemble the Gazebo in windy or wet conditions.

Do not touch overhead power cables with the aluminum profiles.

Always wear shoes and safety goggles when working with extruded aluminum.

Dispose of all plastic bags safety-keep them out of reach of small children. The Gazebo must be positioned and fixed on a flat level surface.

Do not lean against or push the Gazebo during construction.

Keep children away from the assemble area.

Do not position your Gazebo in an area exposed to excessive wind.

Do not attempt to assemble this Gazebo if you are tired or alcohol or if you are prone to dizzy spells.

If using a step ladder or power tools ensure that you follow the manufacturer's safety

advice.

Hot items such as recently used grills, blowtorches etc. must not be stored in the Gazebo.

Ensure there are no hidden pipes or cables in the ground before inserting the pegs.

GENERAL ADVICE

This is a multi-part assembly, Allow at least 300 minutes for assembly. Selecting a site-choose a sunny level position away from overhanging trees.

Keep all small parts(screws etc)in a bowl so they do not get lost.

Keep roof clear from snow and leaves.

OTHER CAUTIONS

1. High-power electric tools are required, ensure the normal work of them and highly pay attention to electric safety.
2. Be careful when using the kind of blunt tools, like hammer.
3. Wearing long sleeve cotton overalls,gloves and helmet during installation and wear safety glasses when using power tools.
4. Don't look up when Working in high position, or the drop screws may hurt your eyes and suffocation causing accidentally when falling into your mouth.
5. No climbing, No standing on the Gazebo to avoid falling down.
6. If injuries immediately, using the first-aid kit to stop bleeding,bind up, In case of emergency, taken immediately to a nearby medical.

