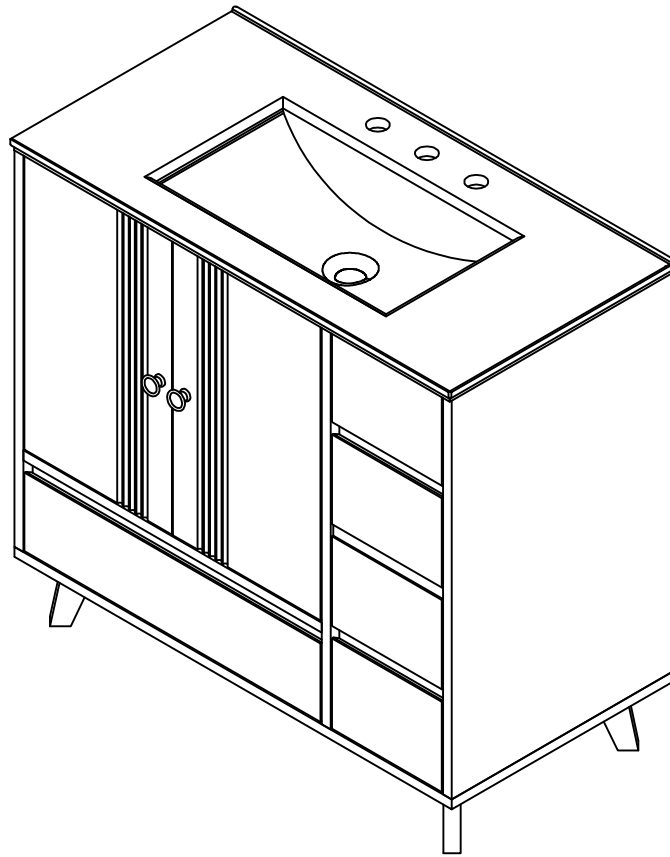


ASSEMBLY INSTRUCTIONS


36 INCH-BATH VANITY-CABINET

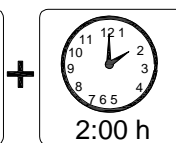
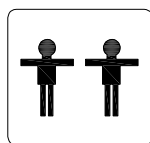
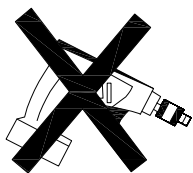


Thank you for purchasing this quality product. Be sure to check all packing material carefully for small parts which may have come loose inside the carton during shipment. Separate, identify and count all parts and hardware.

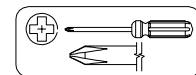
Compare with the parts list to be sure all parts are present.

DO NOT TIGHTEN SCREWS UNTIL COMPLETELY ASSEMBLED

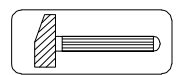

*Use of power tool to assemble this product will invalidate any claim and damage this product making unsafe!!!
* Please assemble on a clean soft surface to avoid damage.



Tools Required



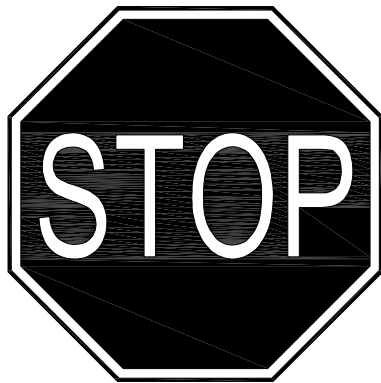
(Not included)



(Not included)

IMPORTANT:
PLEASE READ INSTRUCTION BEFORE STARTING THE ASSEMBLY

PLEASE DO NOT RETURN TO STORE



**Please do not return this product to the retailer!!
We are able to assist you in ANY way**

If you find that you have any trouble with assembly or missing or damaged parts please contact the seller.

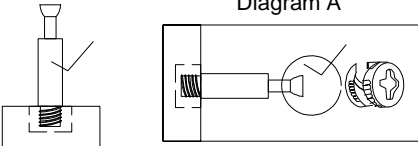
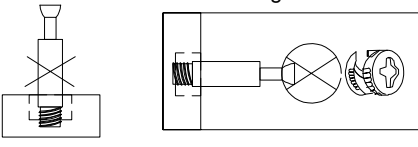
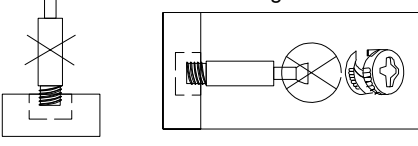
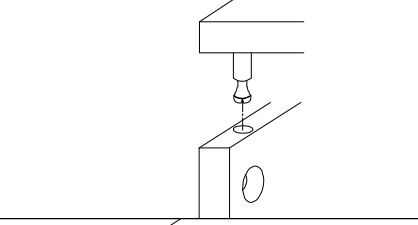
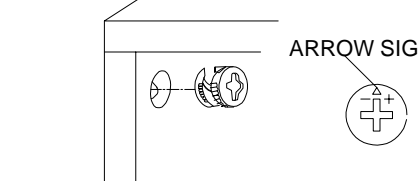
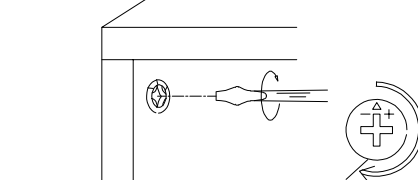
Before Installation

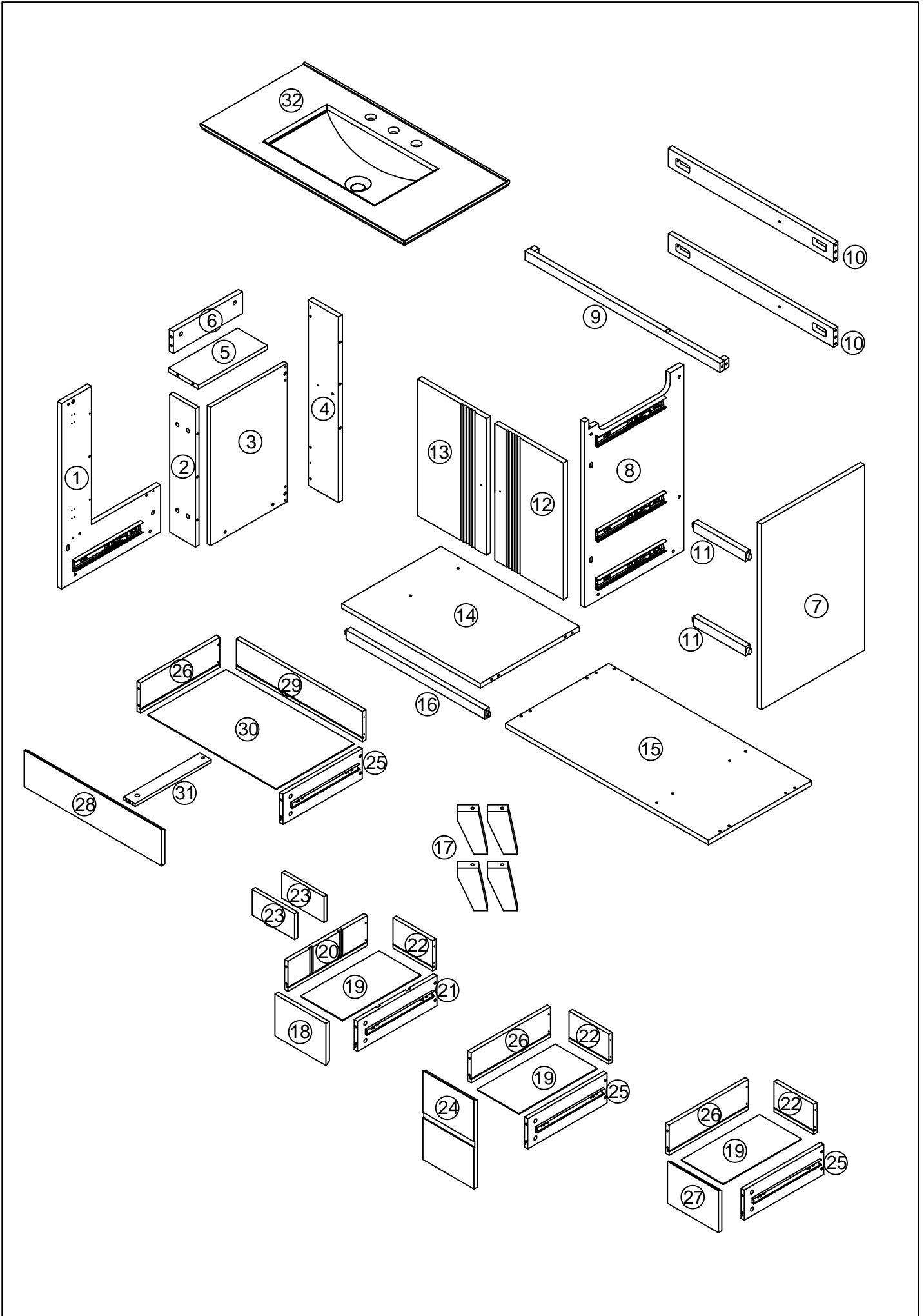
Important: Please read these instructions carefully before starting assembly.

Thank you for purchasing this quality product. Be sure to check all packing materials carefully for small parts, which may have come loose inside the carton during shipment. Identify and count all items according to the PARTS LIST and/or HARDWARE LIST shown below. Check you have all the components and tools listed on the following pages.

- We recommend that you assemble this product with the assistance of another person; this will make the assembly easier, and will help eliminate damage to the product or injury to persons during assembly.
- Please do not over tighten screws or bolts until the assembly is completed.
- Keep children and animal away from the work area, small parts could choke if swallowed.
- Please put all parts on a non-abrasive floor before assembly, and follow the assembly steps to assemble your newly purchased product correctly and efficiently.

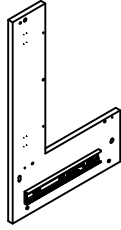
Cam Lock Assembly Instructions

	<p>Diagram A</p> <p>Insert Cam Ball into hole as shown in diagram A.</p>
	<p>Diagram B</p> <p>Make sure not to insert the Cam Bolt: Too deep as shown in figure B as this will cause the cam Lock to be misaligned and unable to interlock properly.</p>
	<p>Diagram C</p> <p>Also avoid inserting the Cam Bolt too close to the surface of the hole as shown in figure C, as this will cause the Cam Lock to be too loose, and not interlock properly.</p>
	<p>Connect the panels together.</p>
	<p>ARROW SIGN</p> <p>Insert the Cam Lock so the side opening fits over the head of the Cam Bolt.</p>
	<p>To tighten the Cam Lock, turn it clockwise on half a turn with a flat screwdriver.</p> <p><i>*Do not use an automatic screwdriver as it may bend or break if too much power is imposed.</i></p>



Part Lists

1



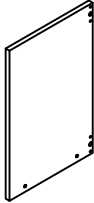
Side Panel (L) - 1 Pc

2



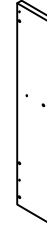
Front Panel of Storage - 1 Pc

3



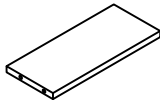
Back Panel of Storage - 1 Pc

4



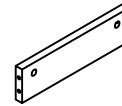
Side Panel of Storage - 1 Pc

5



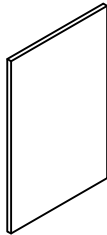
Middle Panel of Storage - 1 Pc

6



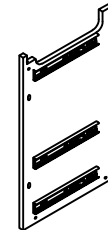
Top Panel of Storage - 1 Pc

7



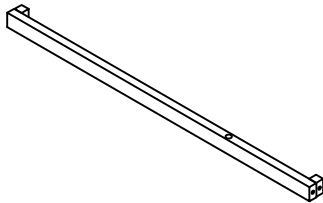
Side Panel (R) - 1 Pc

8



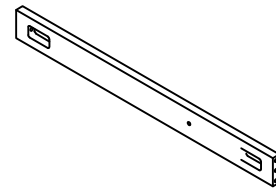
Panel Mid - 1 Pc

9



Crossbar Top - 1 Pc

10



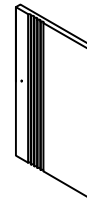
Rear Panel - 2 Pcs

11



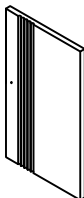
Short Front Bar - 2 Pcs

12



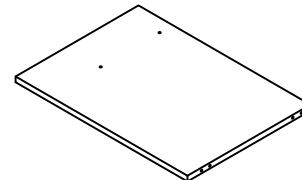
Right Door (R) - 1 Pc

13



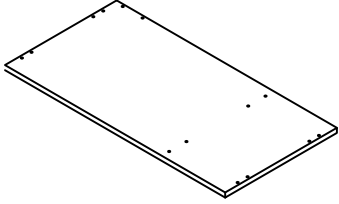
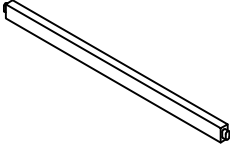

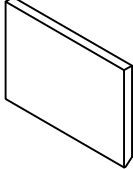
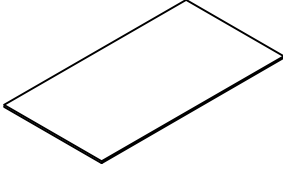
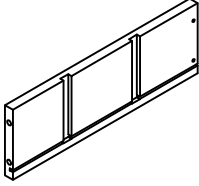
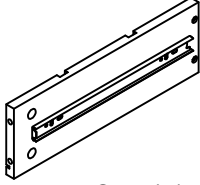
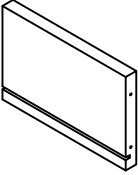
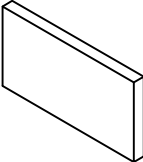
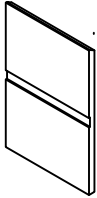
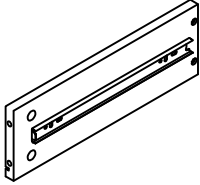
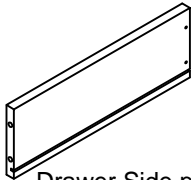
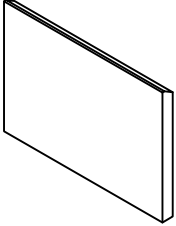
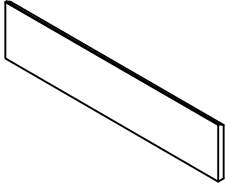
Left Door (L) - 1 Pc

14



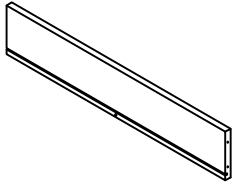
Fix Panel - 1 Pc

Part Lists

<p>15</p>  <p>Bottom Panel - 1 Pc</p>	<p>16</p>  <p>Long Front Bar - 1 Pc</p>
<p>17</p>  <p>Foot Cabinet - 4 Pcs</p>	<p>18</p>  <p>Upper Drawer Face - 1 Pc</p>
<p>19</p>  <p>Drawer Bottom Panel - 3 Pcs</p>	<p>20</p>  <p>Upper Drawer Side (L) - 1 Pc</p>
<p>21</p>  <p>Upper Drawer Side (R) - 1 Pc</p>	<p>22</p>  <p>Drawer Rear Panel - 3 Pcs</p>
<p>23</p>  <p>Divice Drawer Box - 2Pcs</p>	<p>24</p>  <p>Double Drawer Face - 1 Pc</p>
<p>25</p>  <p>Drawer Side panel (R) - 3 Pcs</p>	<p>26</p>  <p>Drawer Side panel (L) - 3 Pcs</p>
<p>27</p>  <p>Bottom Drawer Face - 1 Pc</p>	<p>28</p>  <p>Long Drawer Face - 1 Pc</p>

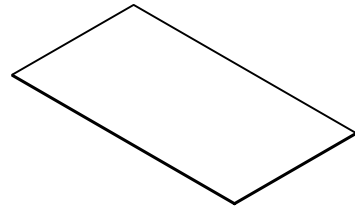
Part Lists

29



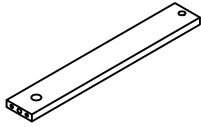
Long Drawer Rear Panel - 1 Pc

30



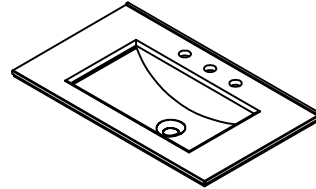
Long Drawer Panel Bottom - 1 Pc

31




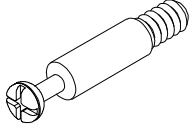



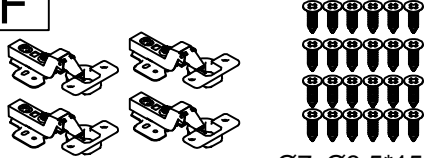


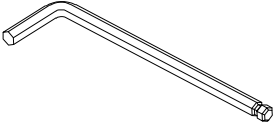

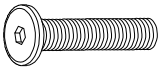
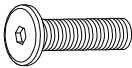

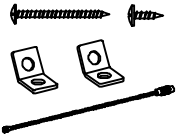
Support Drawer Bottom Panel - 1 Pc

32

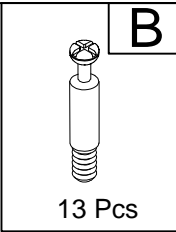
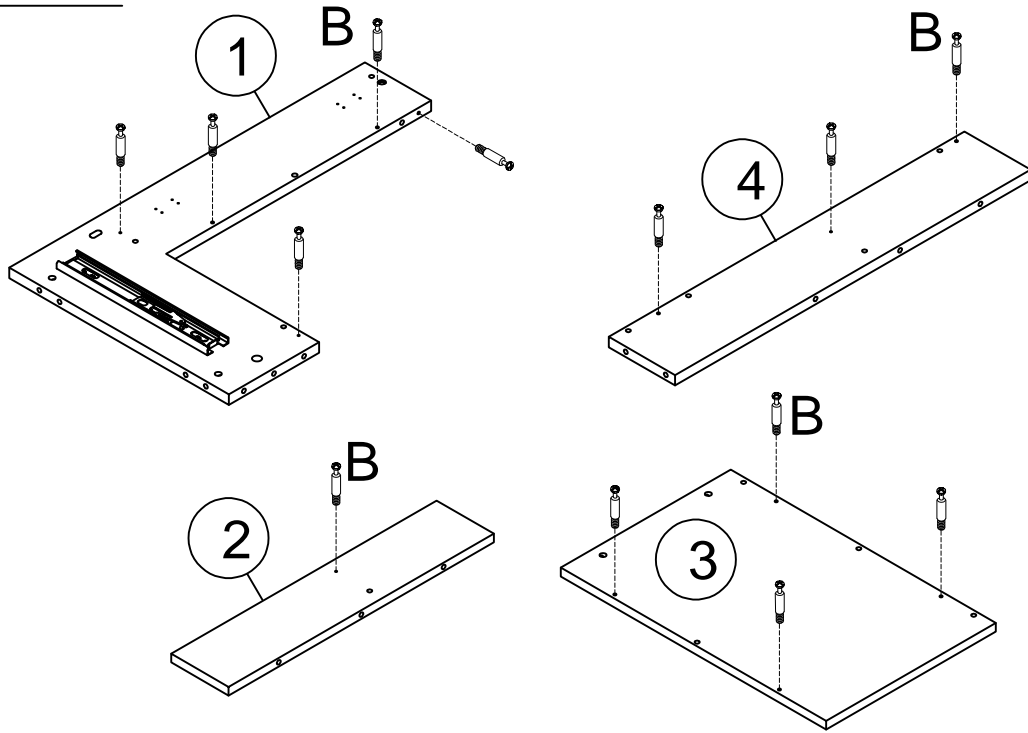


36" Sink - 1 Pc

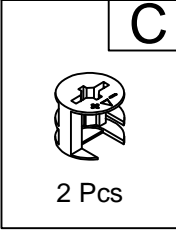
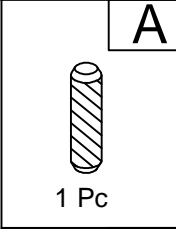
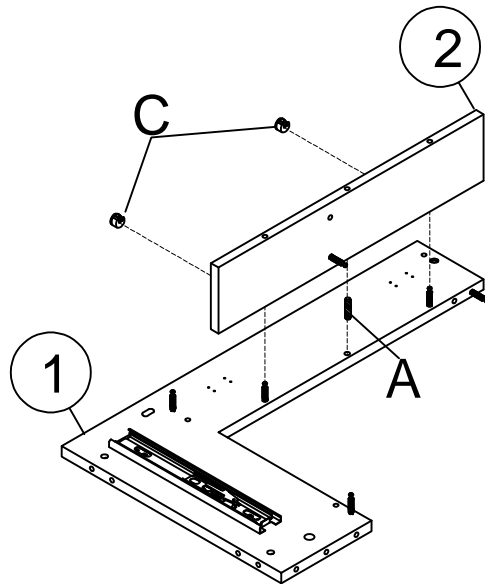
Hardware Lists

<p>A</p>  <p>Ø8*30mm</p>	<p>B</p>  <p>Ø6*32mm</p>	<p>C</p>  <p>Ø14.5*9.5mm</p>
<p>Wood dowel (35pcs)</p>	<p>Three in one bolts (32pcs)</p>	<p>Three in one locks (32pcs)</p>
<p>D</p>  <p>Ø8xØ4*30mm</p>	<p>E</p>  <p>Ø10 * 10mm</p>	<p>F</p>  <p>4set Ø7xØ3.5*15mm 24 Pcs</p>
<p>Round head screw (17pcs)</p>	<p>Plastic Nut (17Pcs)</p>	<p>Damping hinge (4sets)</p>
<p>G</p>  <p>Knob(2Pcs)</p>	<p>H</p>  <p>M4*20mm</p>	<p>K</p>  <p>K4mm</p>
<p>Knob(2Pcs)</p>	<p>Handle screw (2Pcs)</p>	<p>Allen key (1pc)</p>
<p>M</p>  <p>Ø10 * 12mm</p>	<p>N</p>  <p>M6 x 45mm</p>	<p>P</p>  <p>M6 x 35mm</p>
<p>Barrel Nut (11pc)</p>	<p>Head bolt (15pcs)</p>	<p>Head bolt (6pcs)</p>
<p>R</p>  <p>Ø6*20mm</p>	<p>S</p>  <p>Anti fall Hardware (2sets)</p>	
<p>Wood dowel (2pcs)</p>	<p>Anti fall Hardware (2sets)</p>	

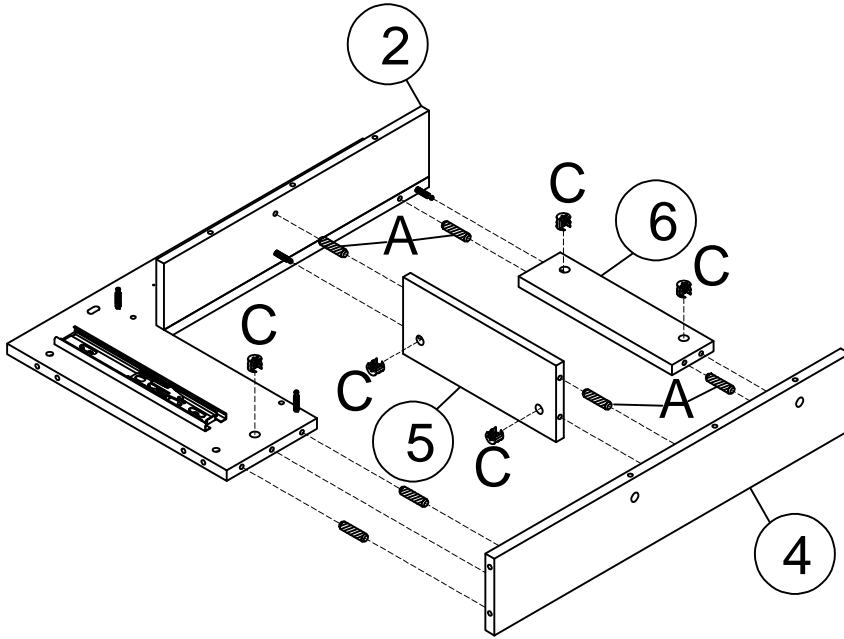
STEP 1:



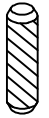
STEP 2:



STEP 3:



A



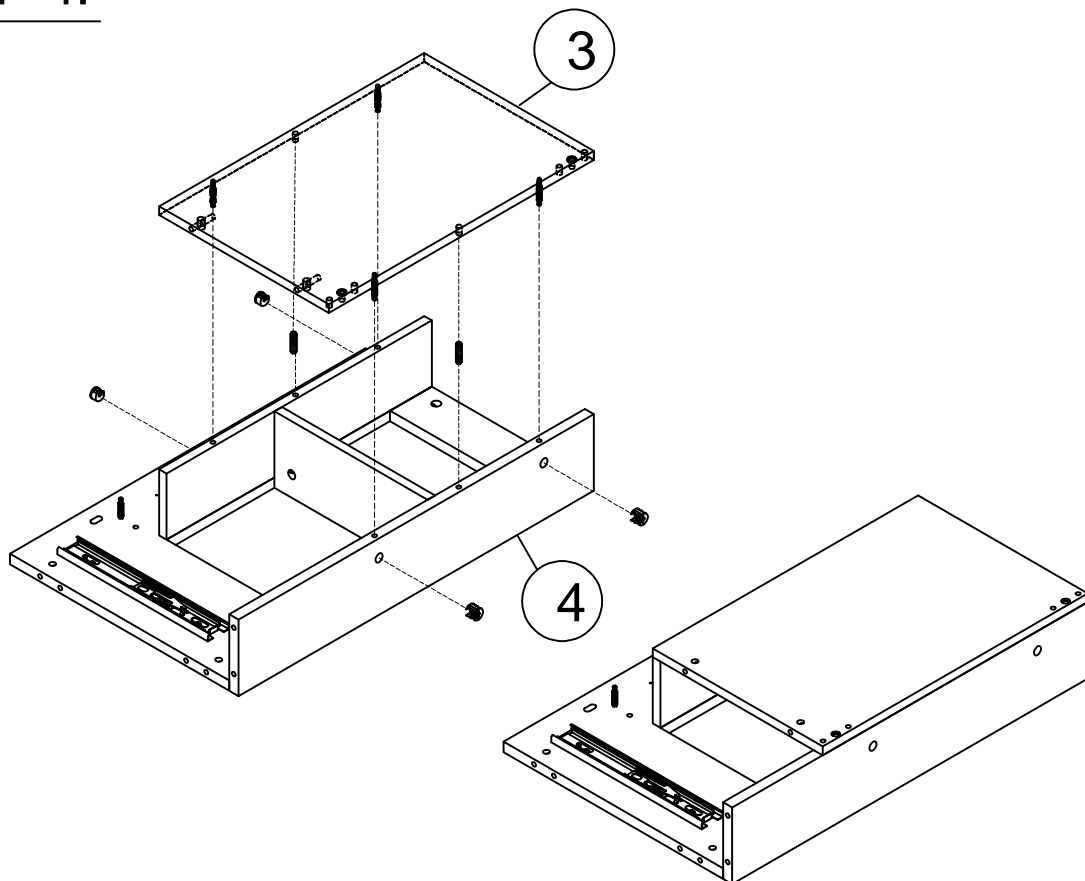
6 Pcs

C



5 Pcs

STEP 4:



A



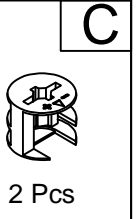
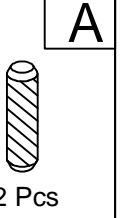
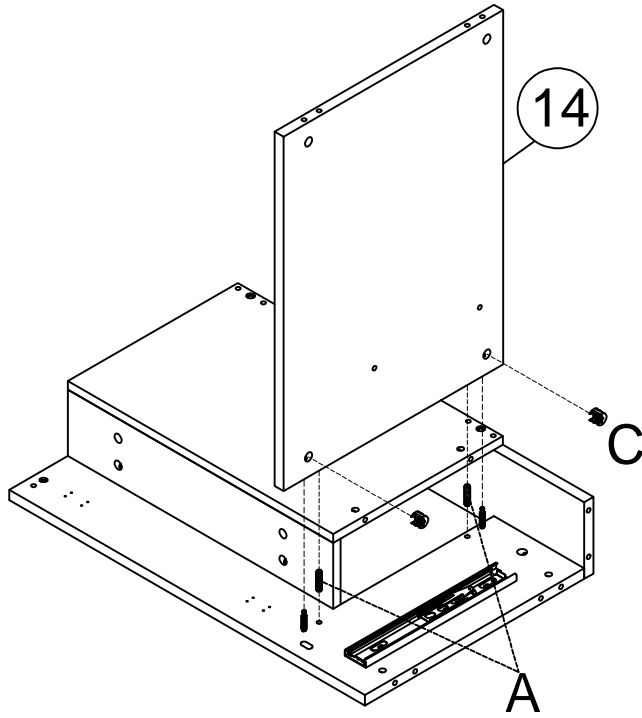
2 Pcs

C

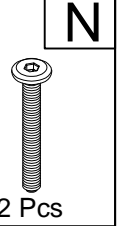
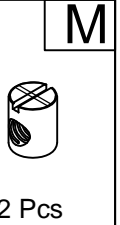
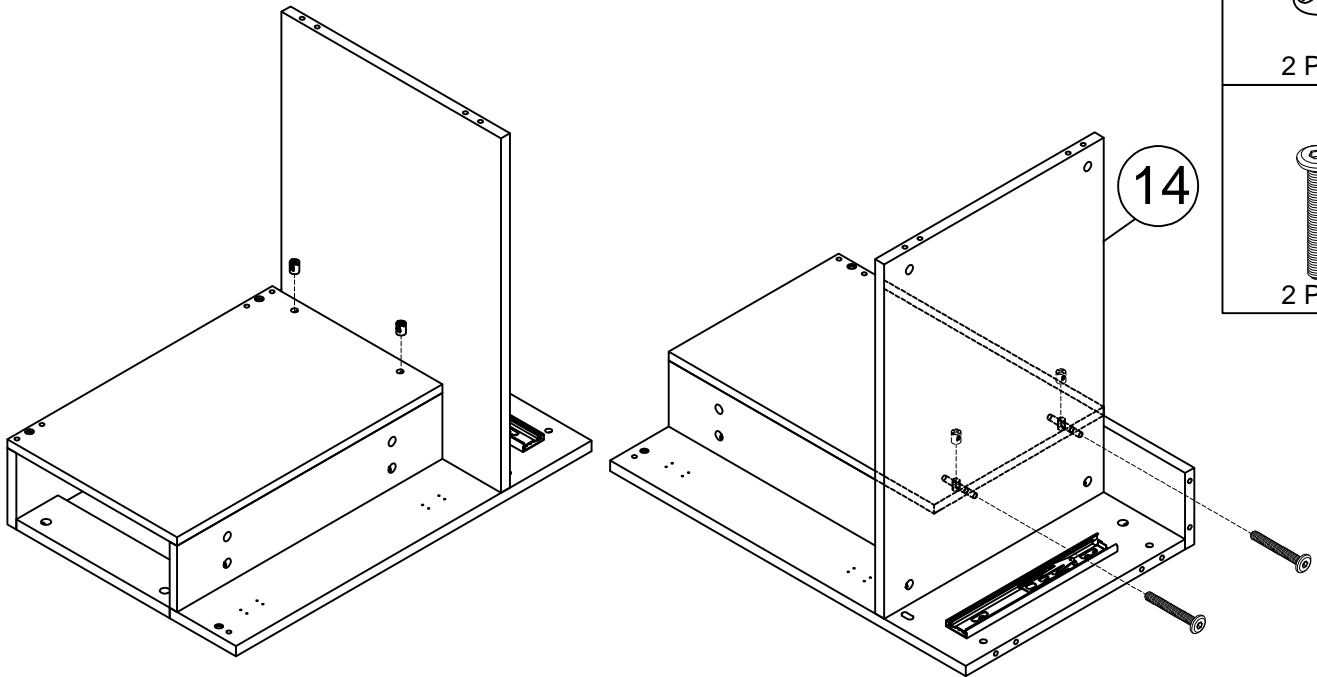


4 Pcs

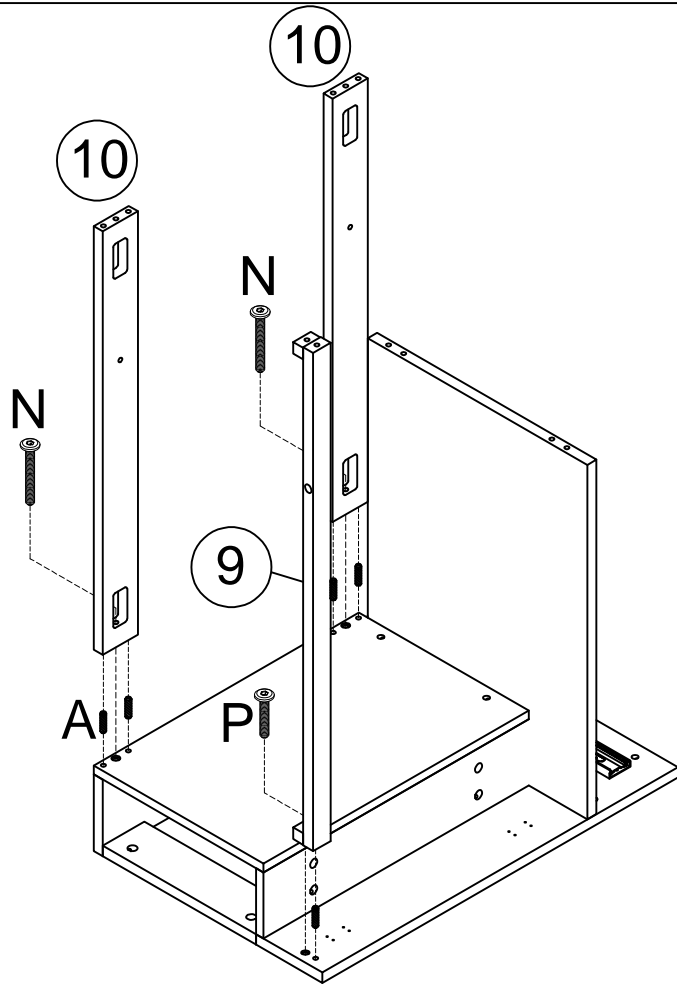
STEP 5:



STEP 6:



STEP 7:

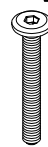


A



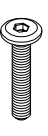
5 Pcs

N



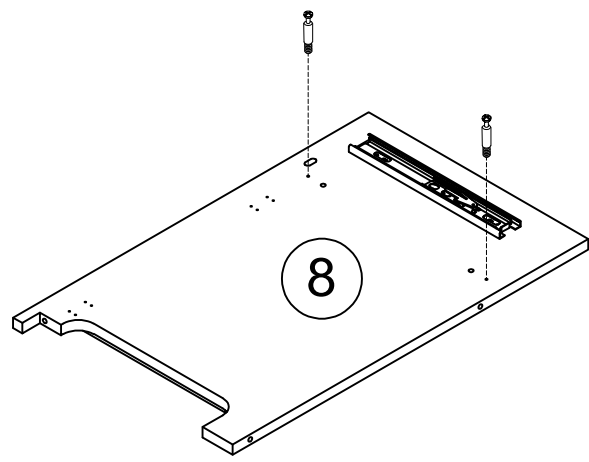
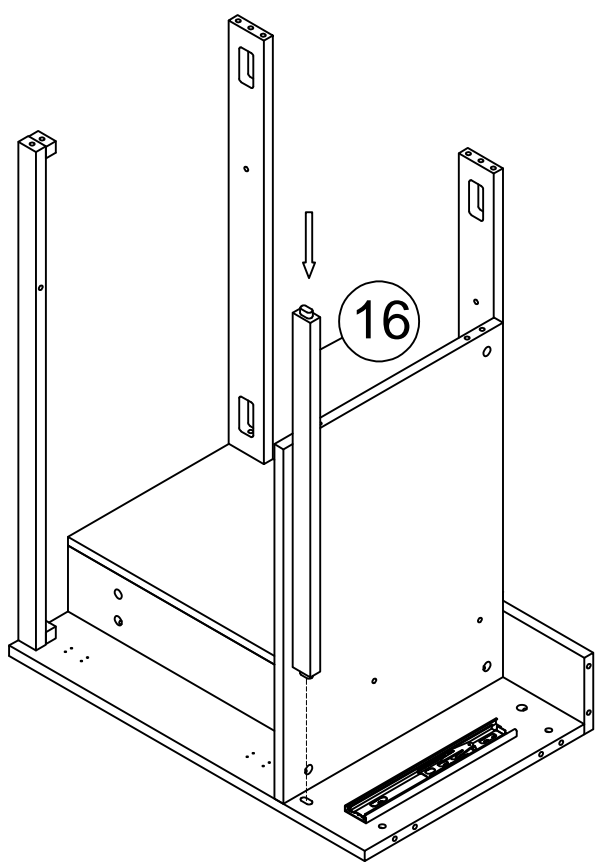
2 Pcs

P

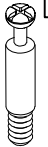


1 Pc

STEP 8:

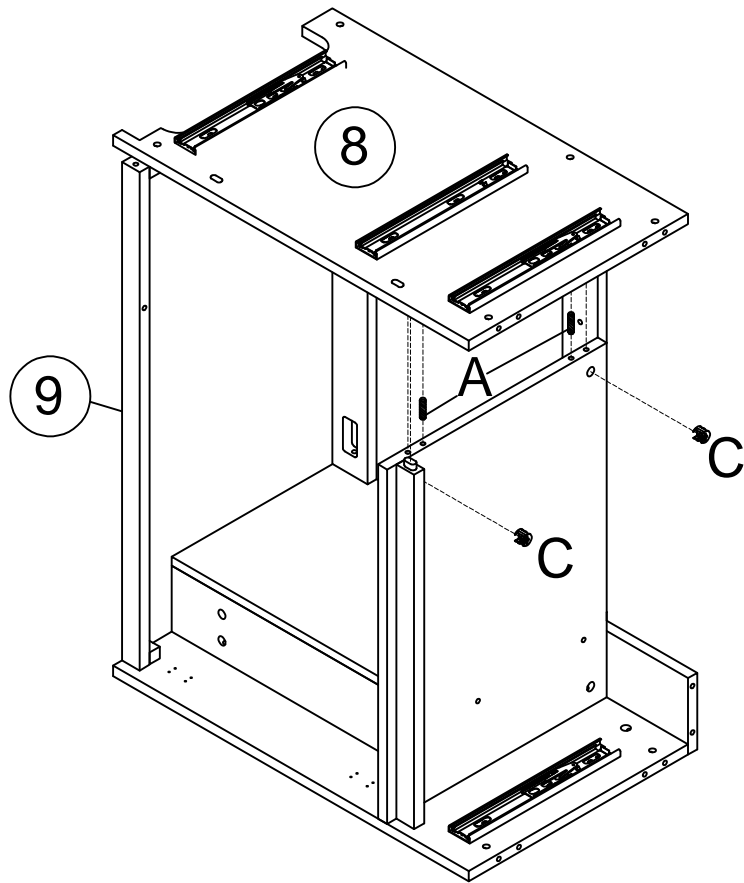


B



2 Pcs

STEP 9:



A



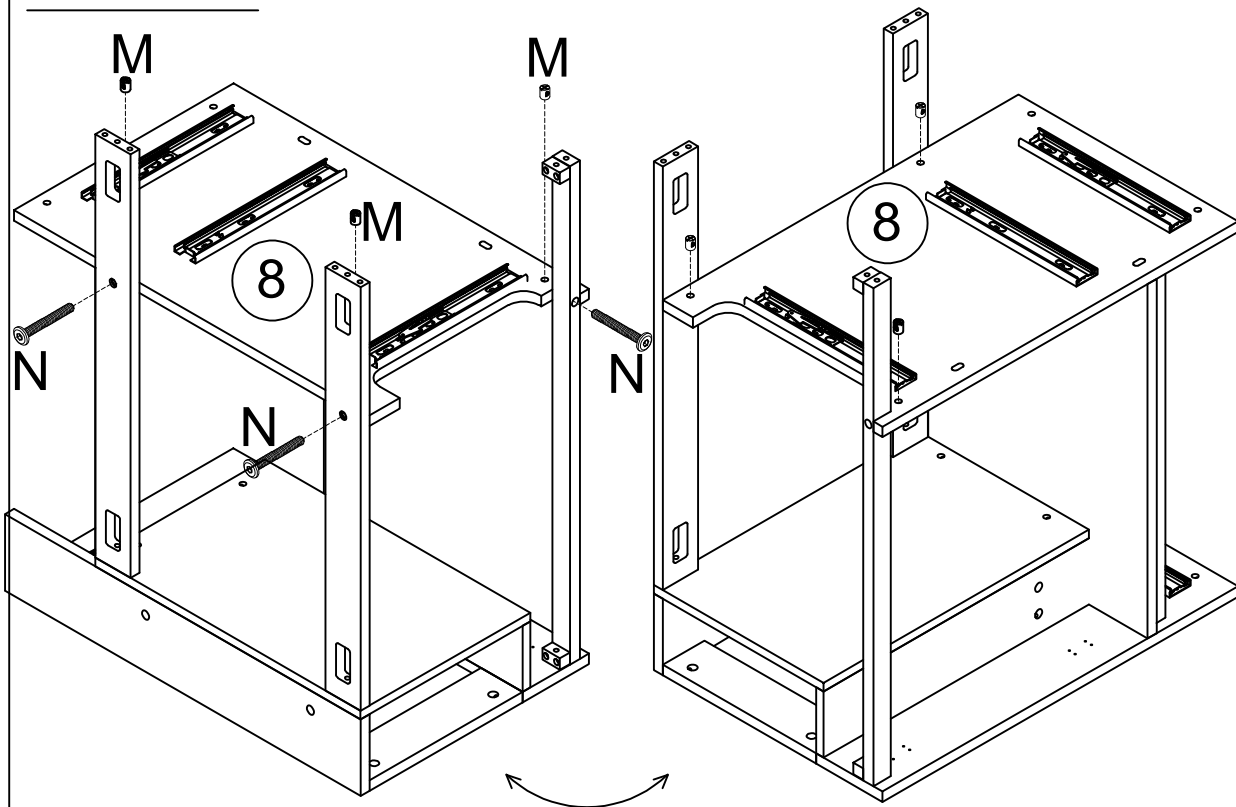
2 Pcs

C



2 Pcs

STEP 10:

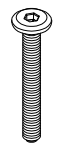


M



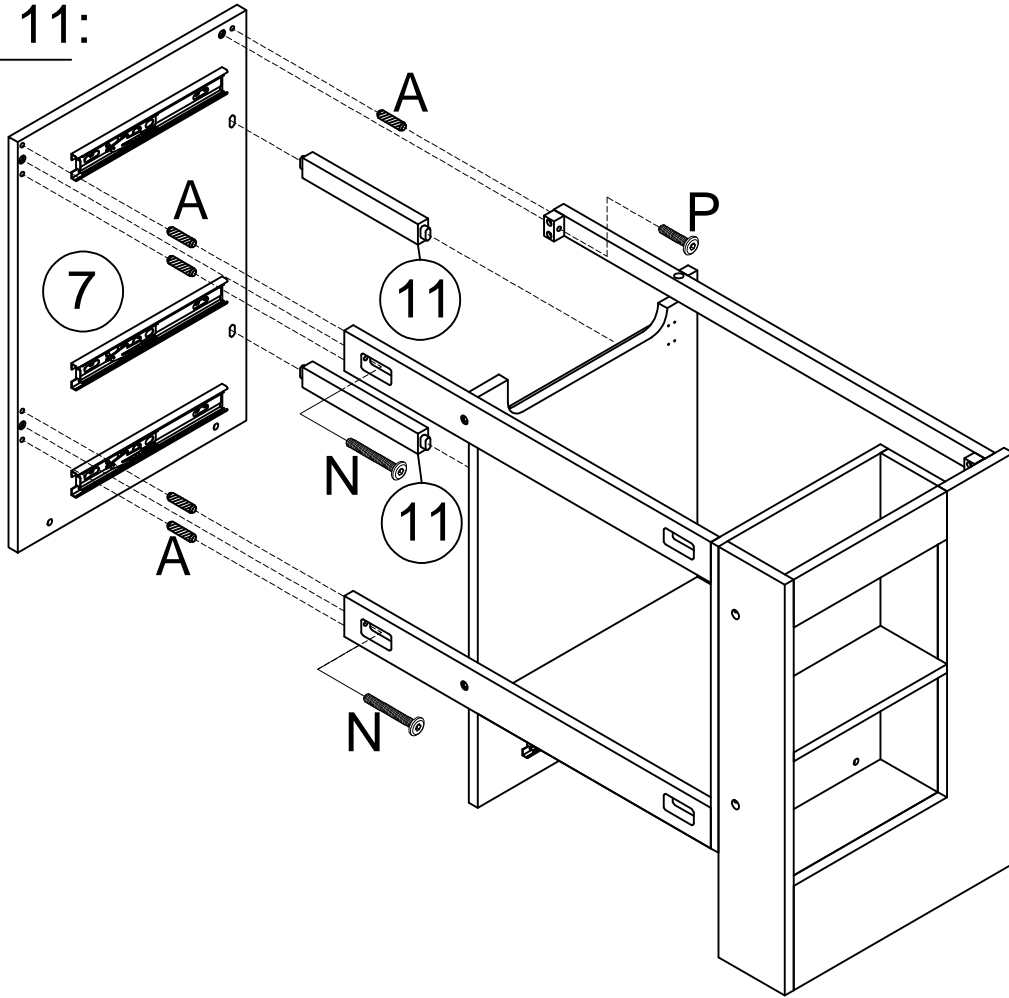
3 Pcs

N

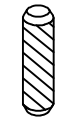


3 Pcs

STEP 11:

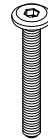


A



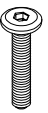
5 Pcs

N



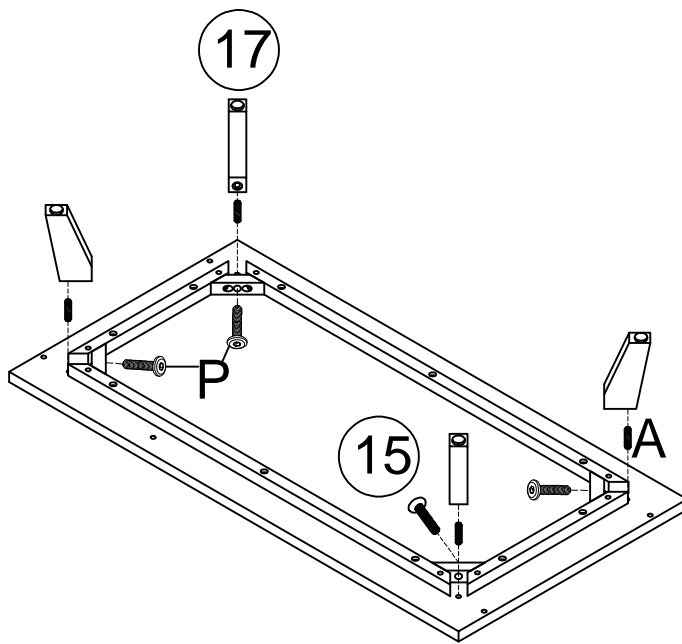
2 Pcs

P



1 Pc

STEP 12:

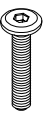


A



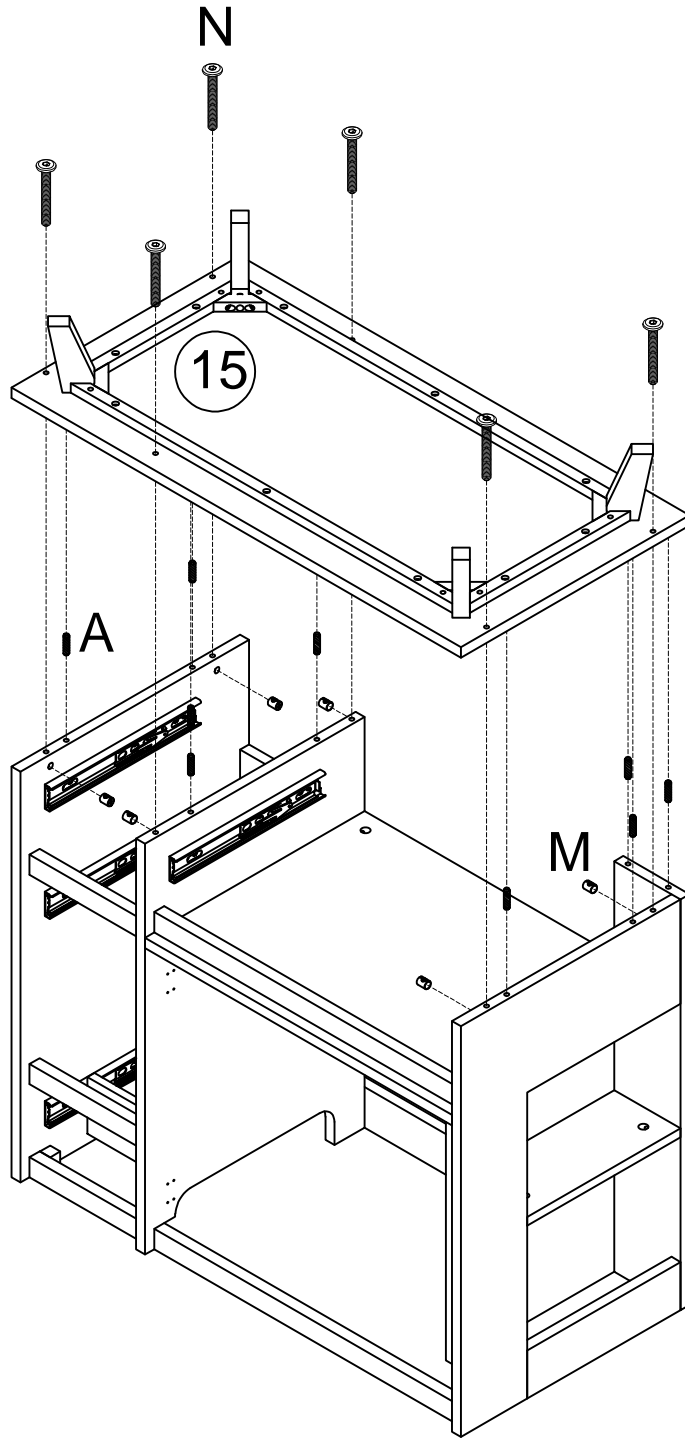
4 Pcs

P



4 Pcs

STEP 13:



A



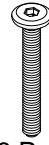
8 Pcs

M



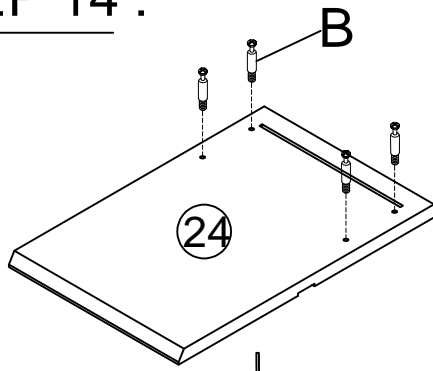
6 Pcs





N

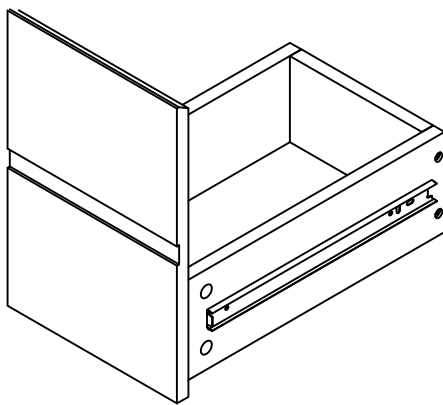
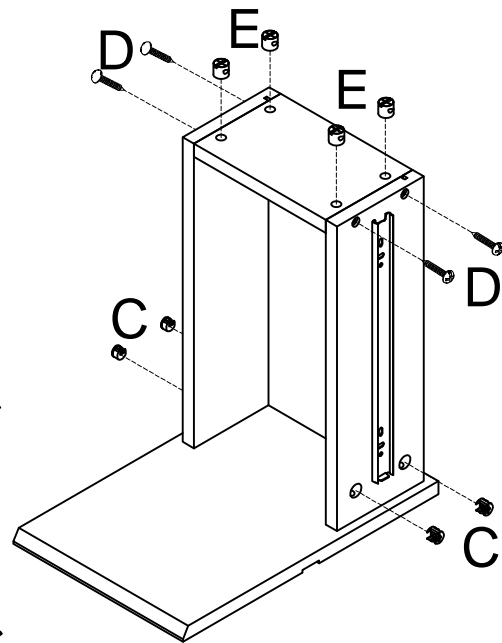
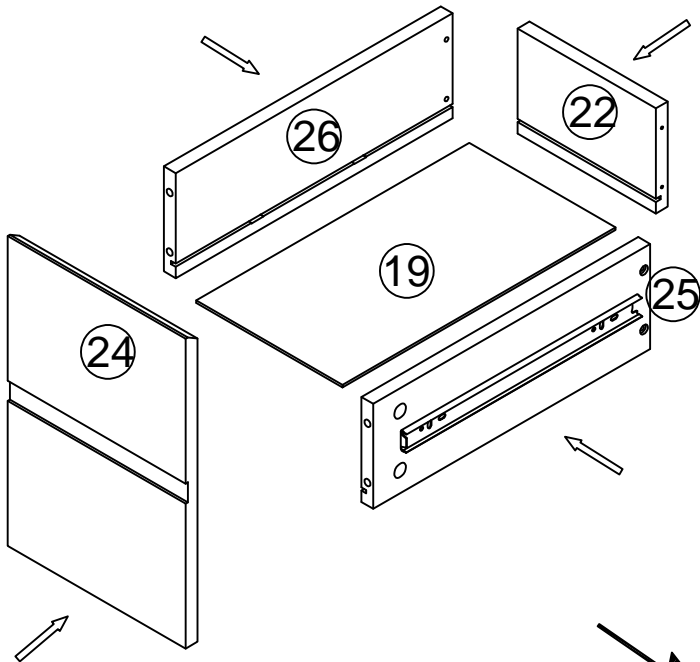


6 Pcs

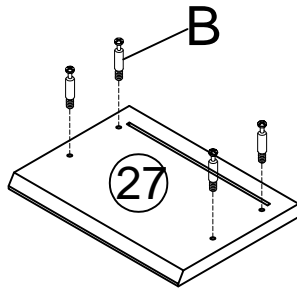
STEP 14 :



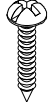



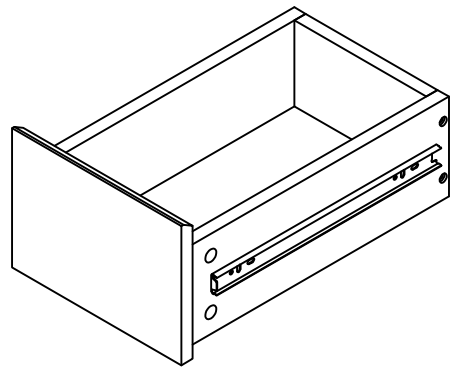
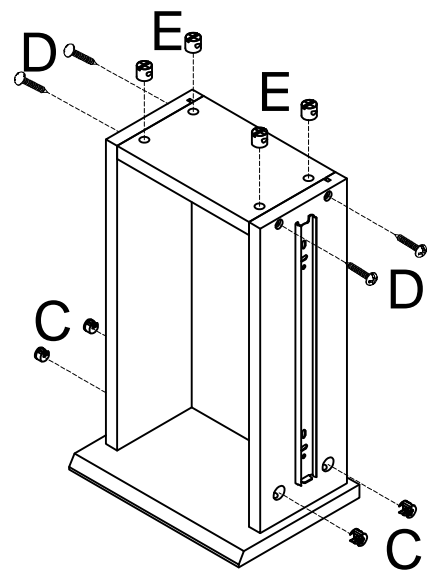
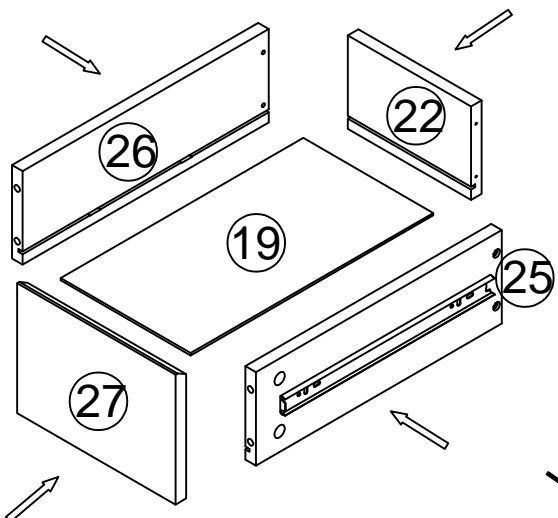
 4 Pcs	 4 Pcs
 4 Pcs	 4 Pcs



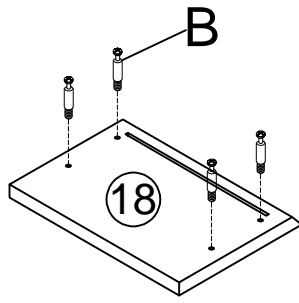
STEP 15 :







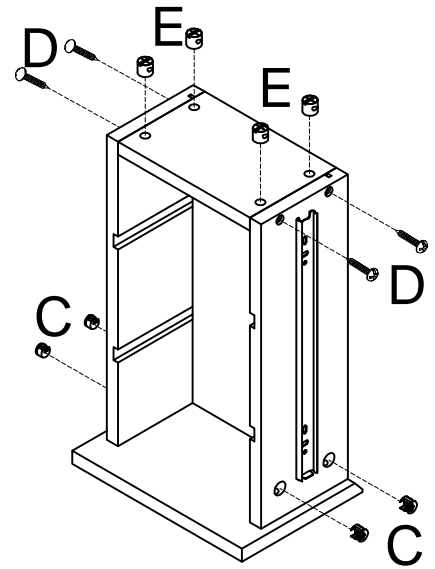
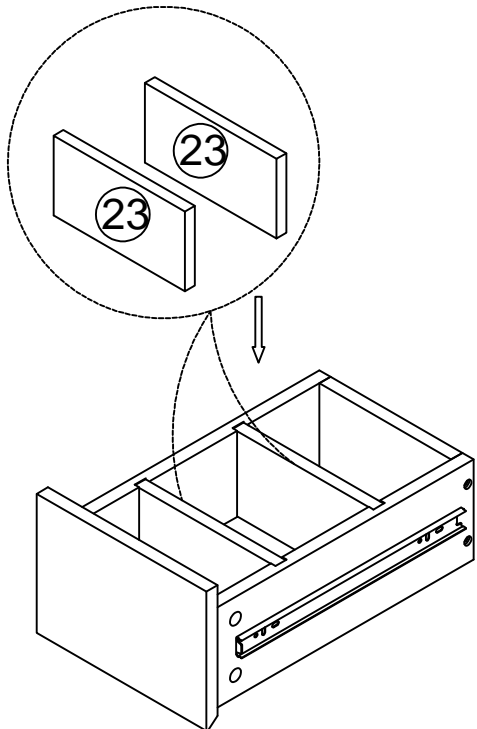
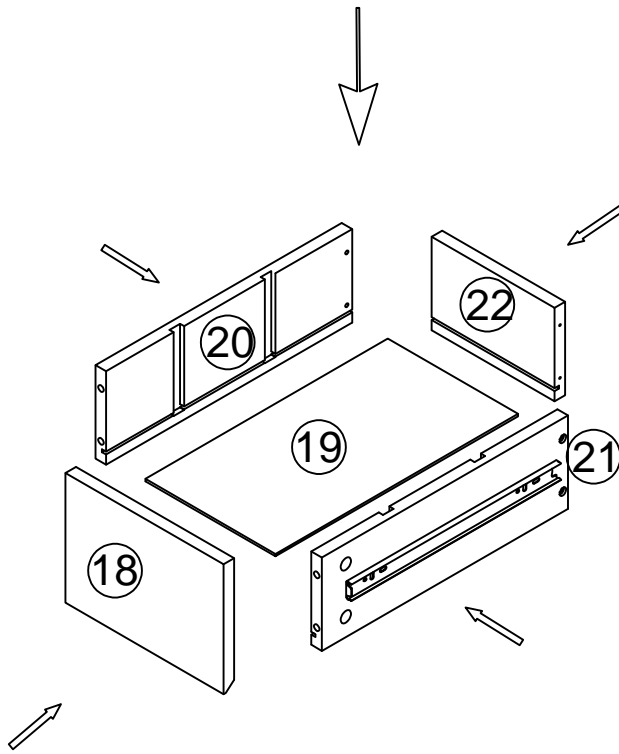
B  4 Pcs	C  4 Pcs
D  4 Pcs	E  4 Pcs



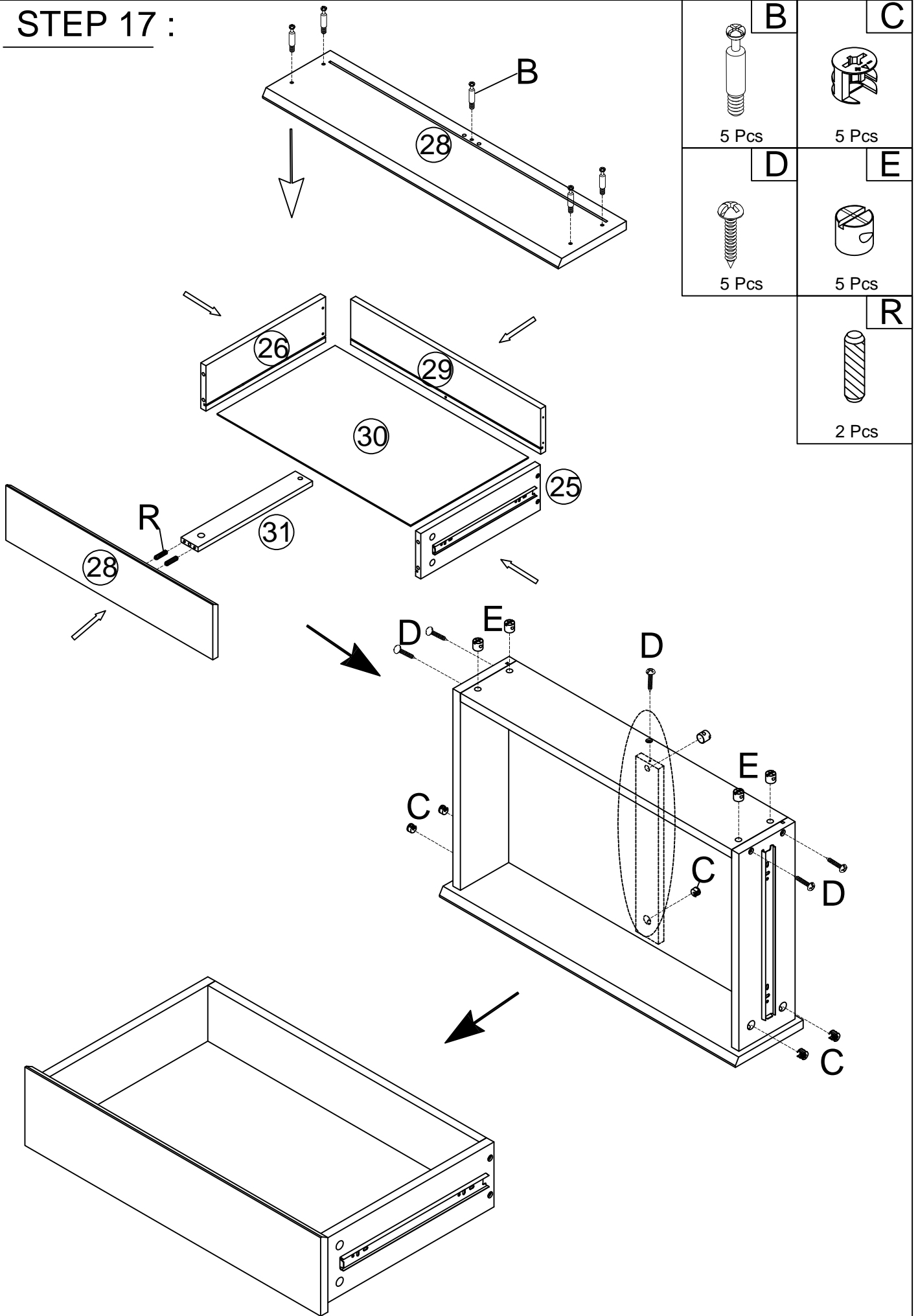
STEP 16 :



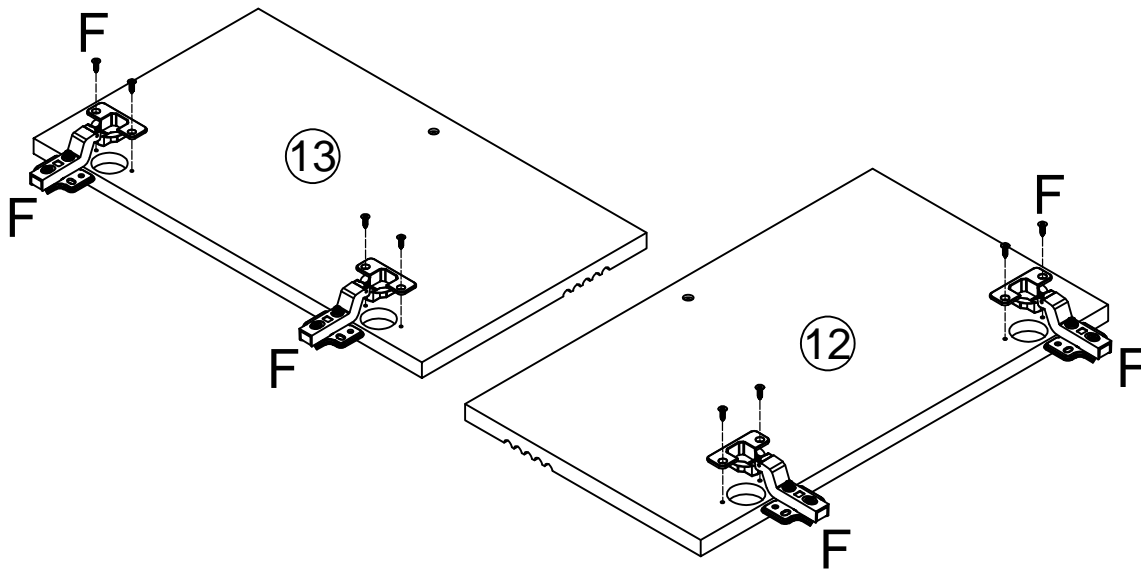
B  4 Pcs	C  4 Pcs
D  4 Pcs	E  4 Pcs



STEP 17 :

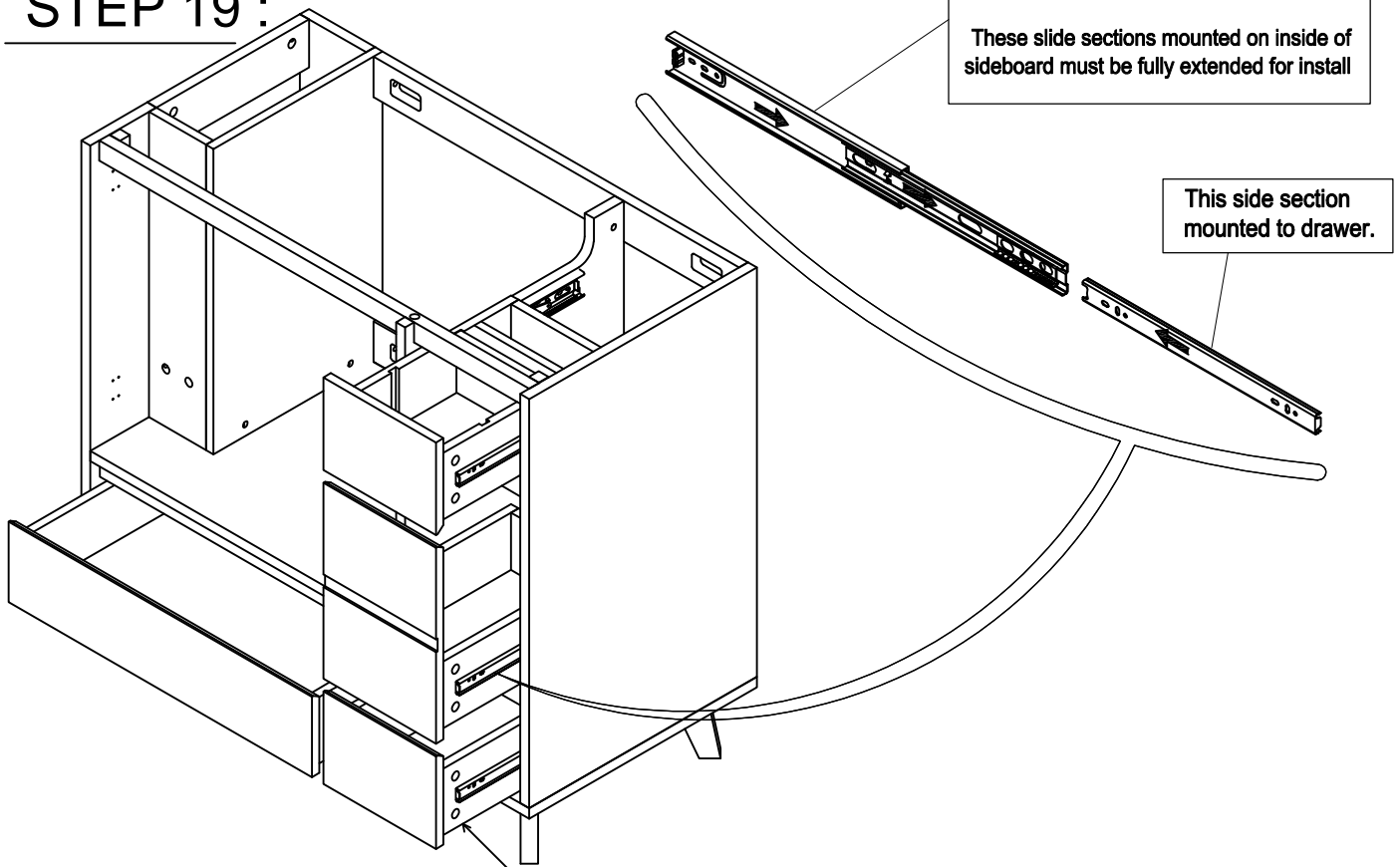


STEP 18 :



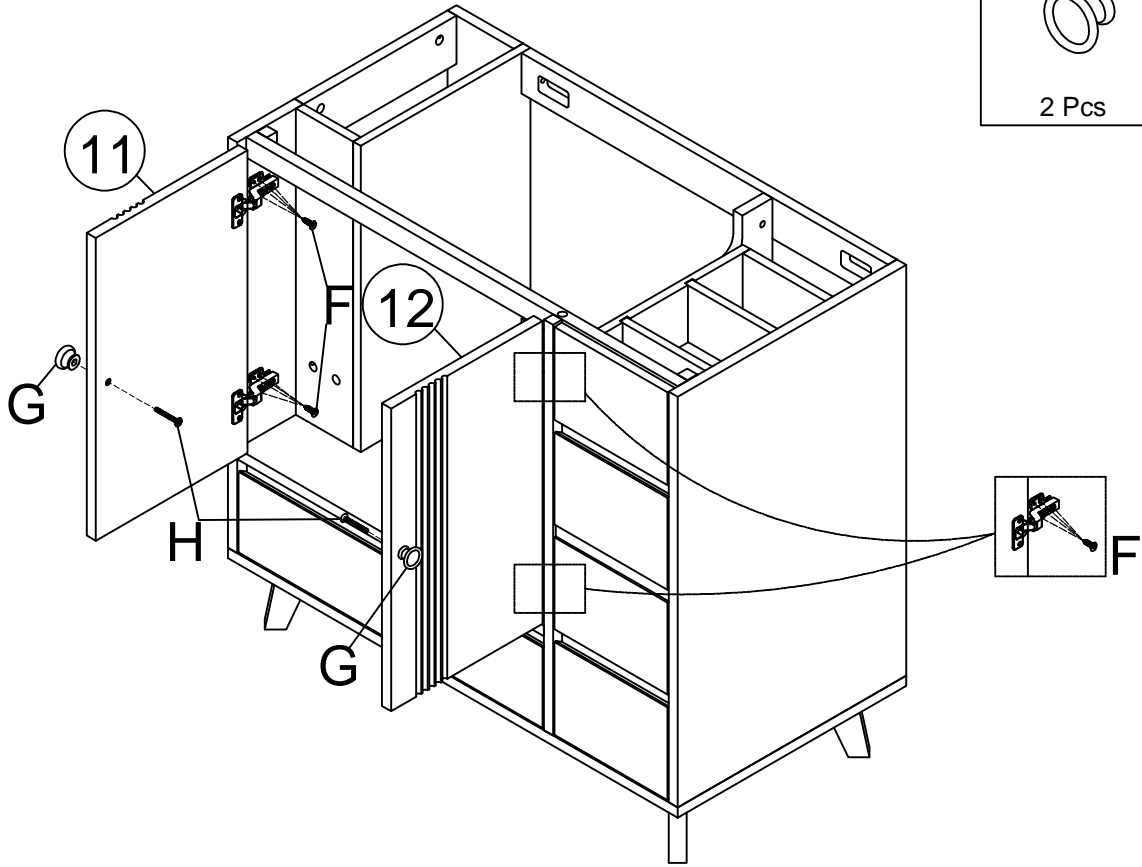
4 Set
8 Pcs




STEP 19 :



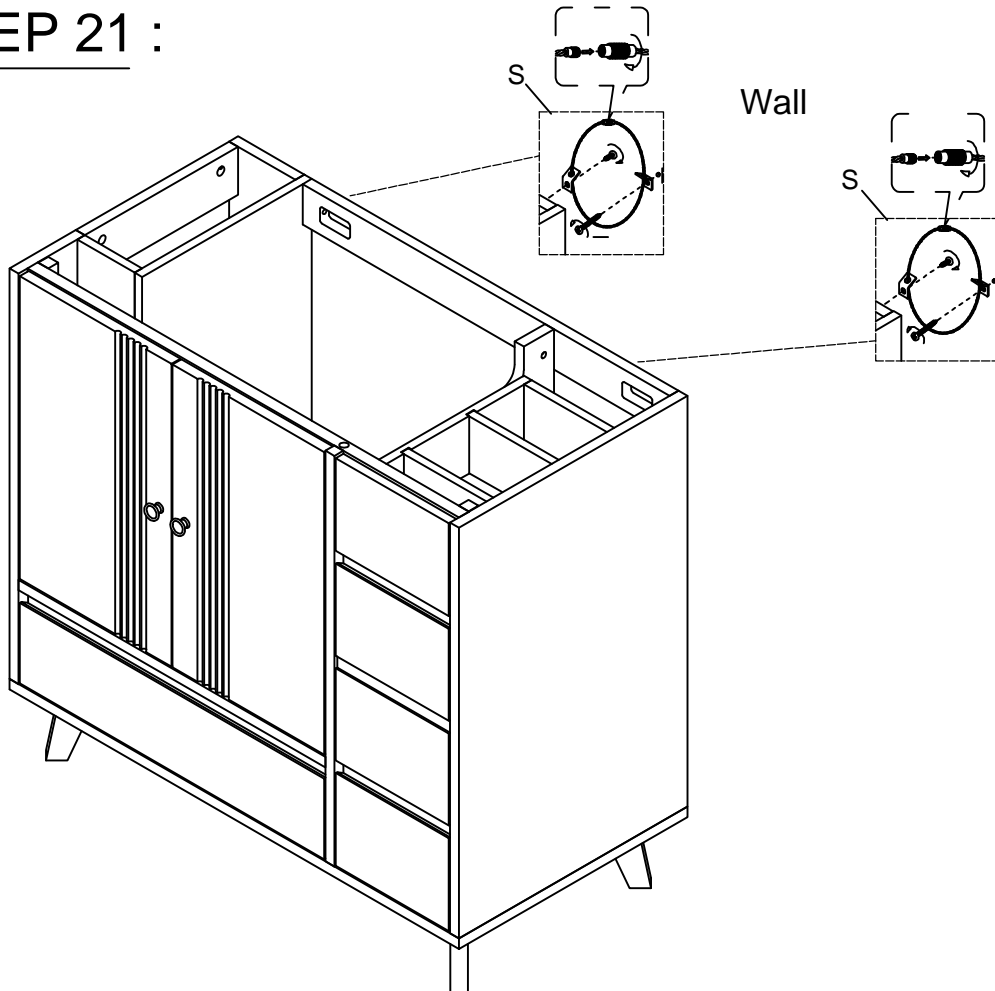
Drawers may need to be pushed in and out to properly set slides.

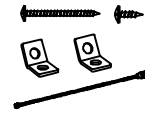
STEP 20 :



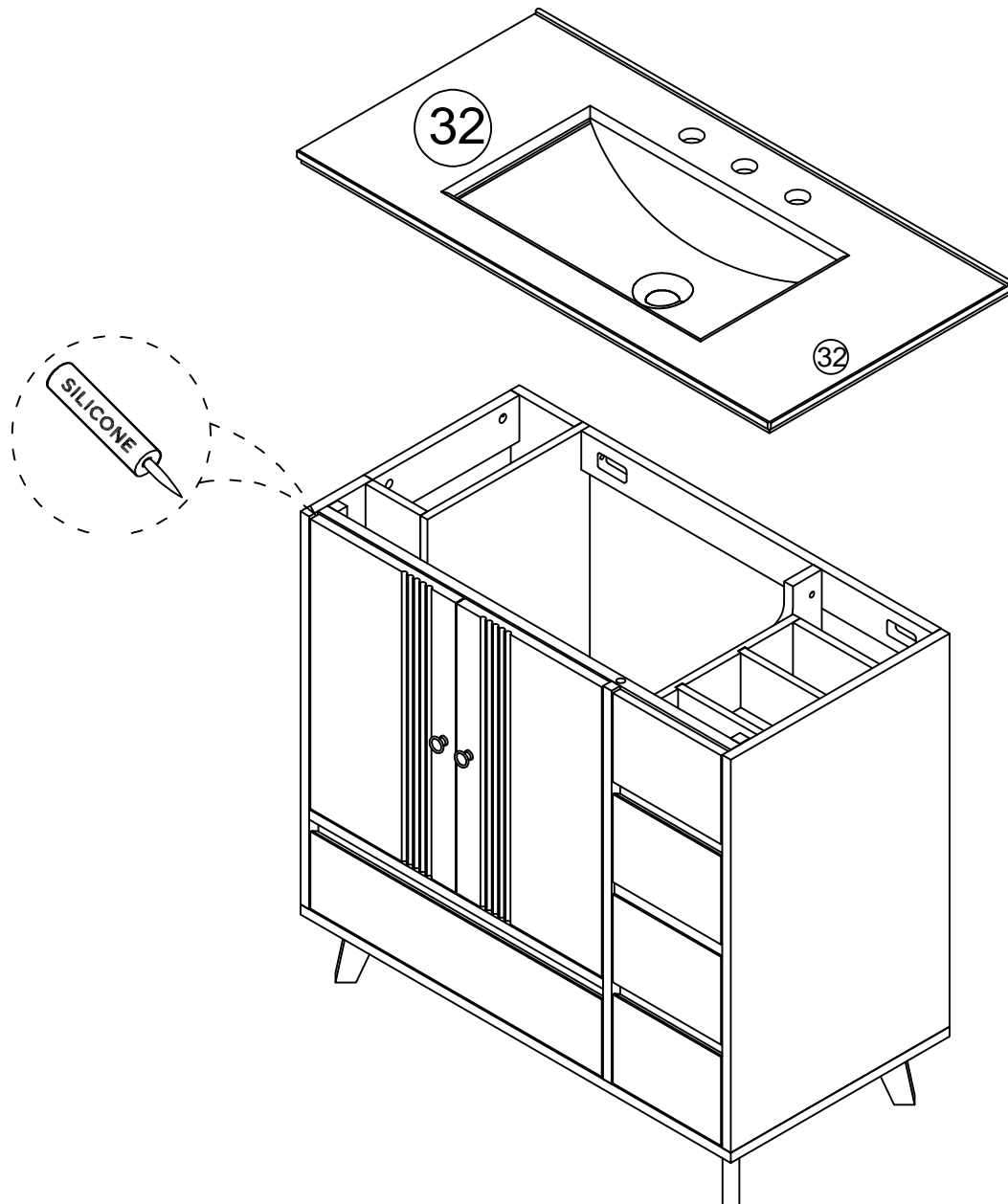
G  2 Pcs	H  2 Pcs
F  16 Pcs	

STEP 21 :



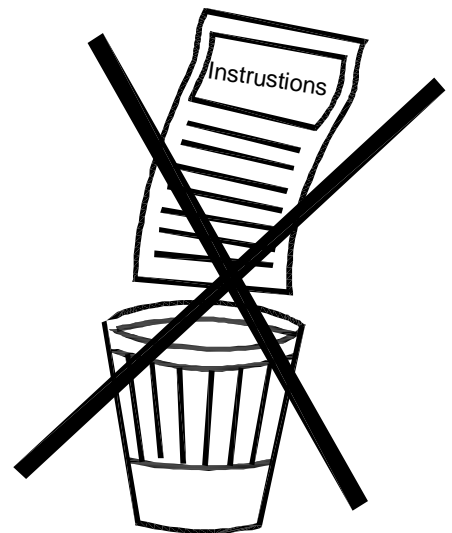
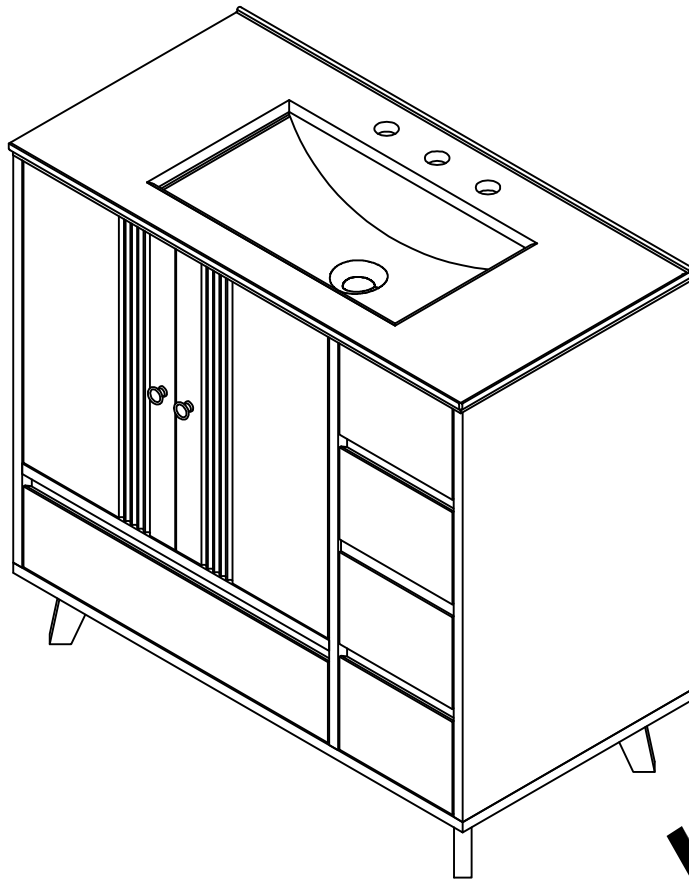
S  2 Set
--

STEP 22 :

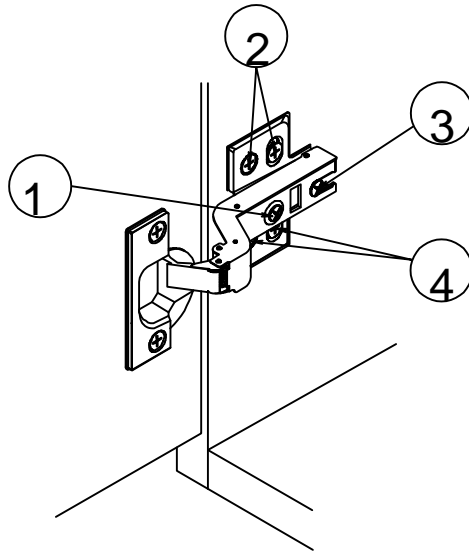


*Silicone glue is not included in the package to comply with safety regulations in certain shipping conditions.

STEP 23 :

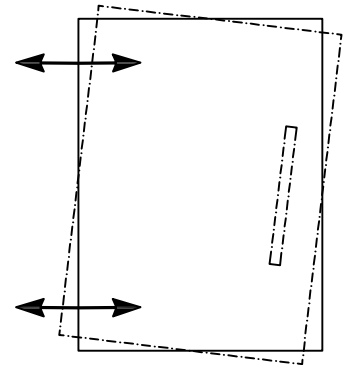


HINGE ADJUSTMENTS



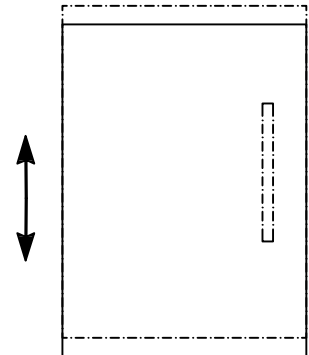
① Sideways / Tilt adjustment

Turn the screw
clockwise to move the door further away from
the side of the cabinet
anticlockwise to move the door closer to the
side of the cabinet



② ④ Height adjustment

While supporting the weight of the door, turn the
screws
clockwise to move the door up
anticlockwise to move the door down



③ Forward and back adjustment

