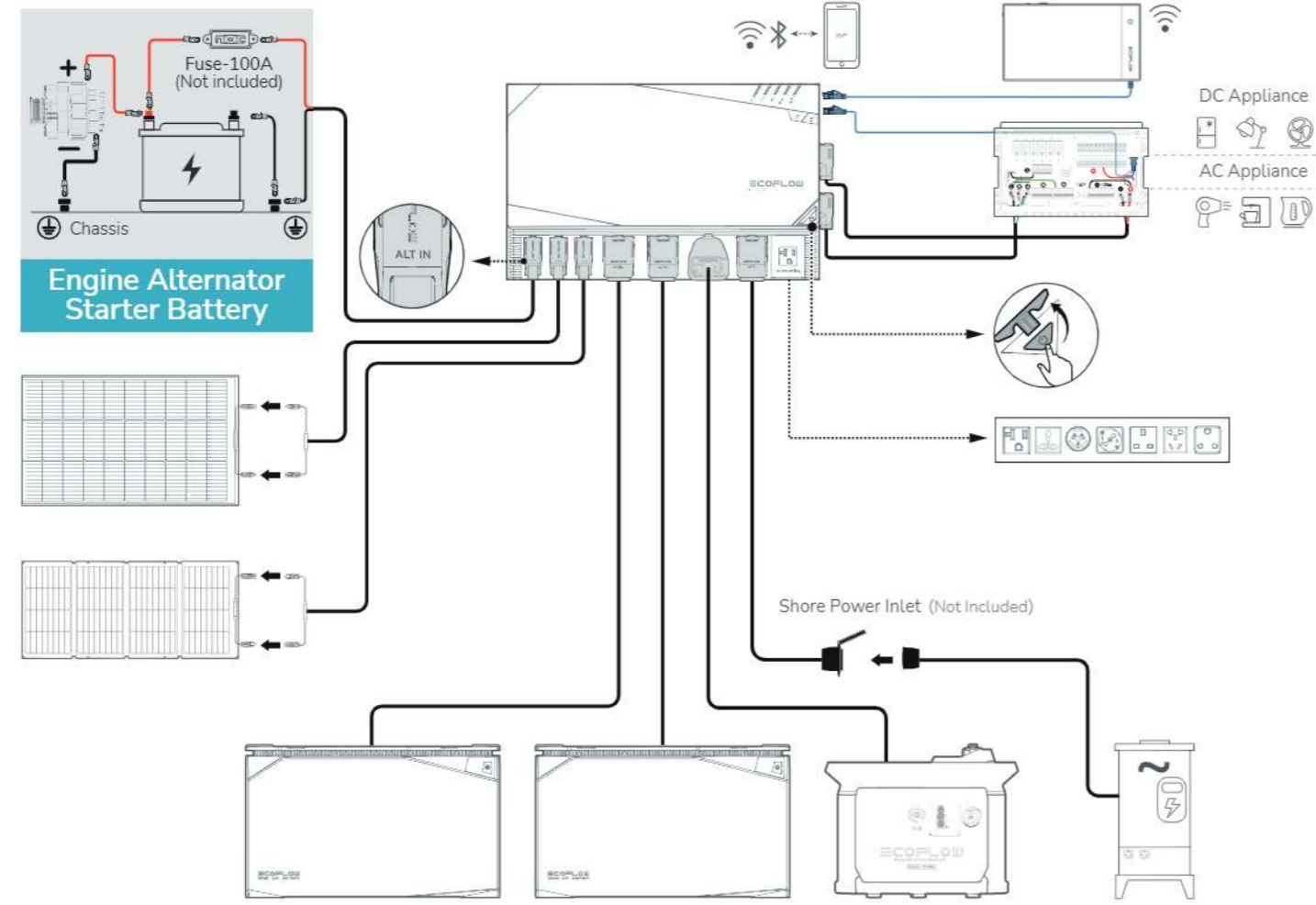


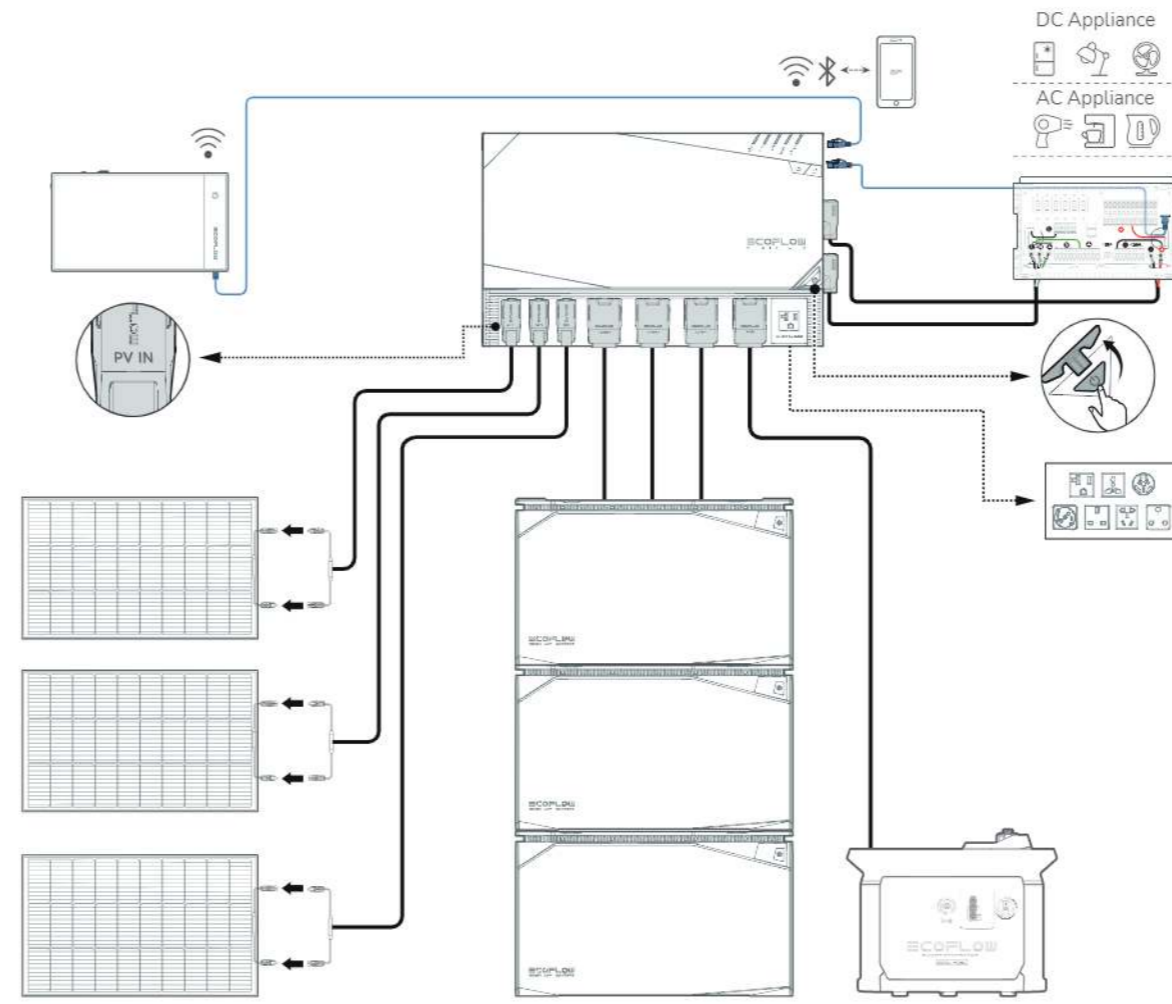
For details, please scan the QR code or visit <https://www.ecoflow.com/support/download/power-kits>



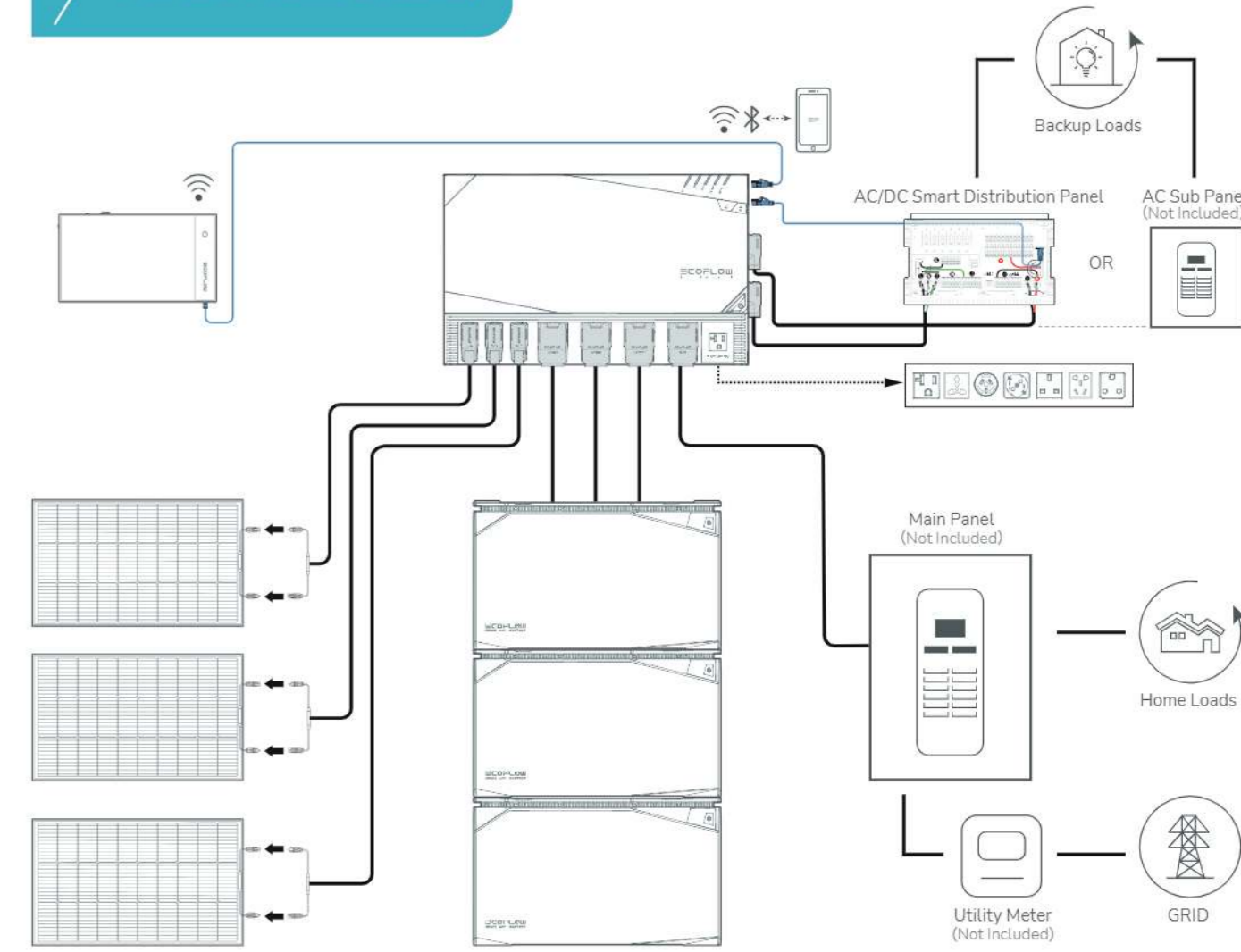
**Recreational Vehicle (RV)**



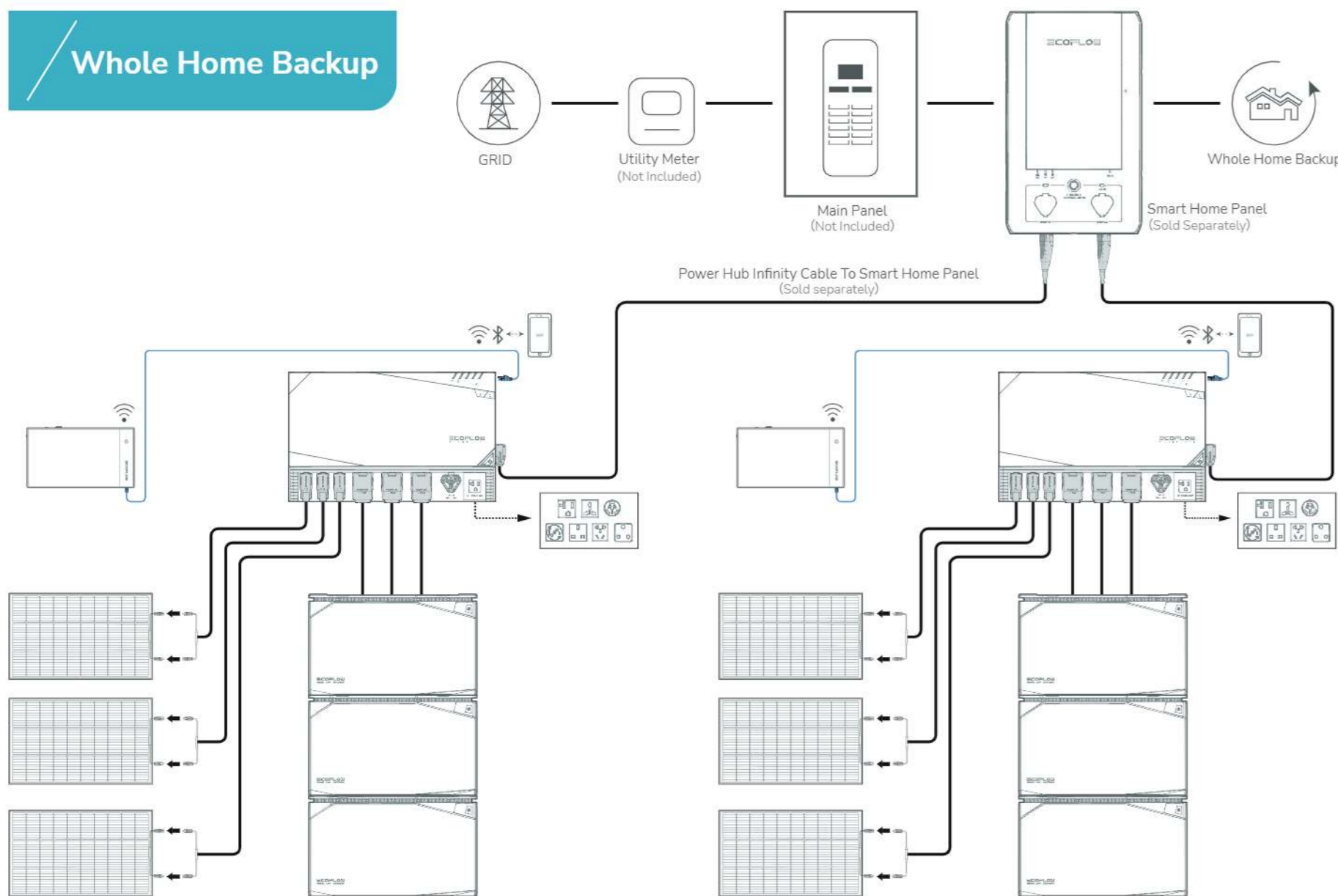
**Off Grid Builds / Self Consumption**



**Partial Home Backup**



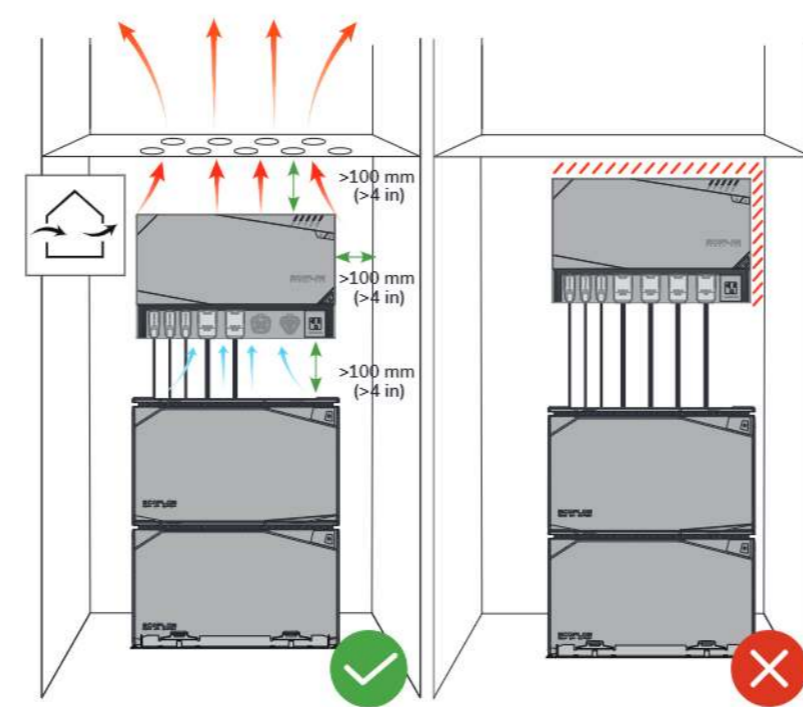
**Whole Home Backup**



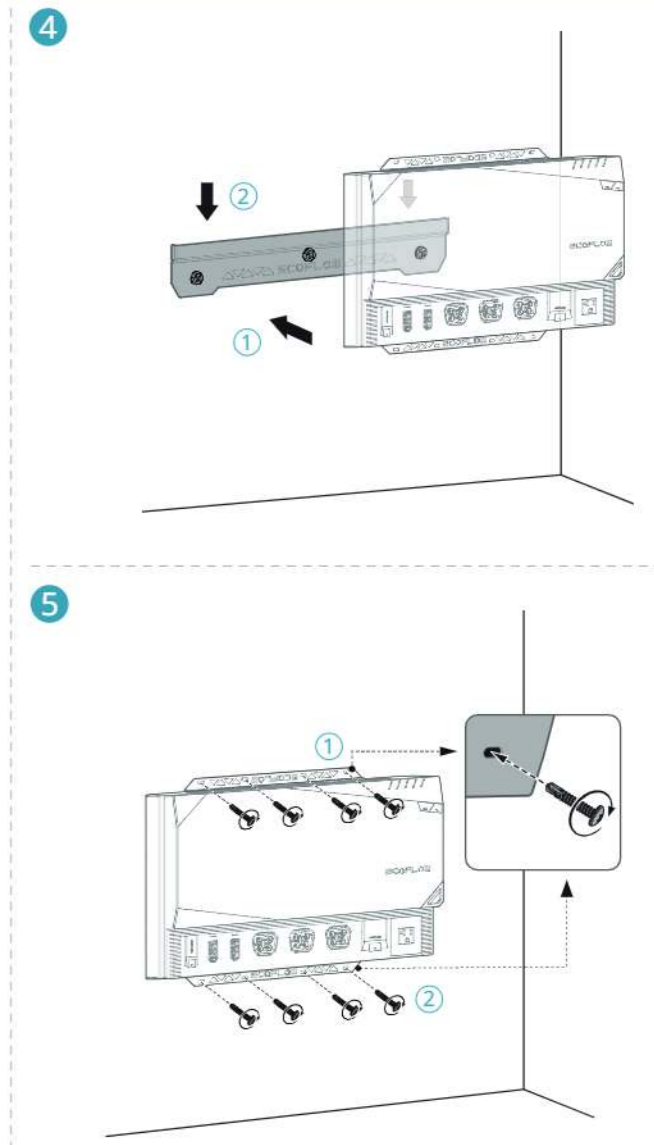
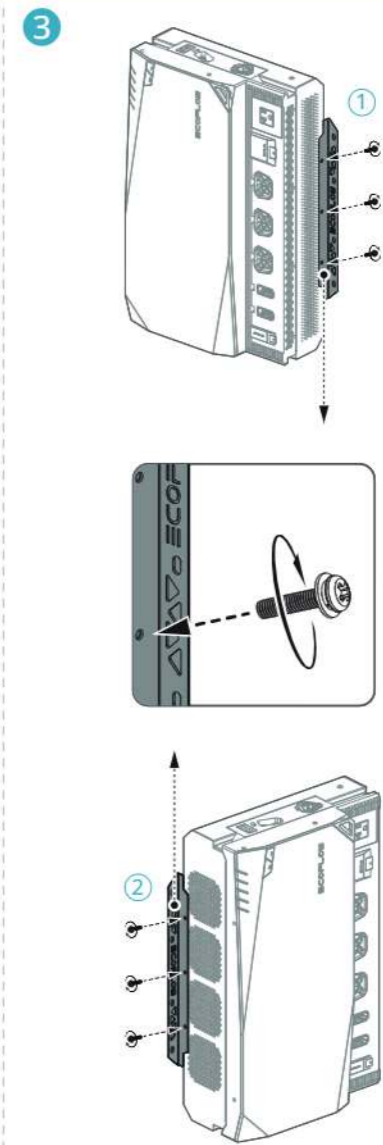
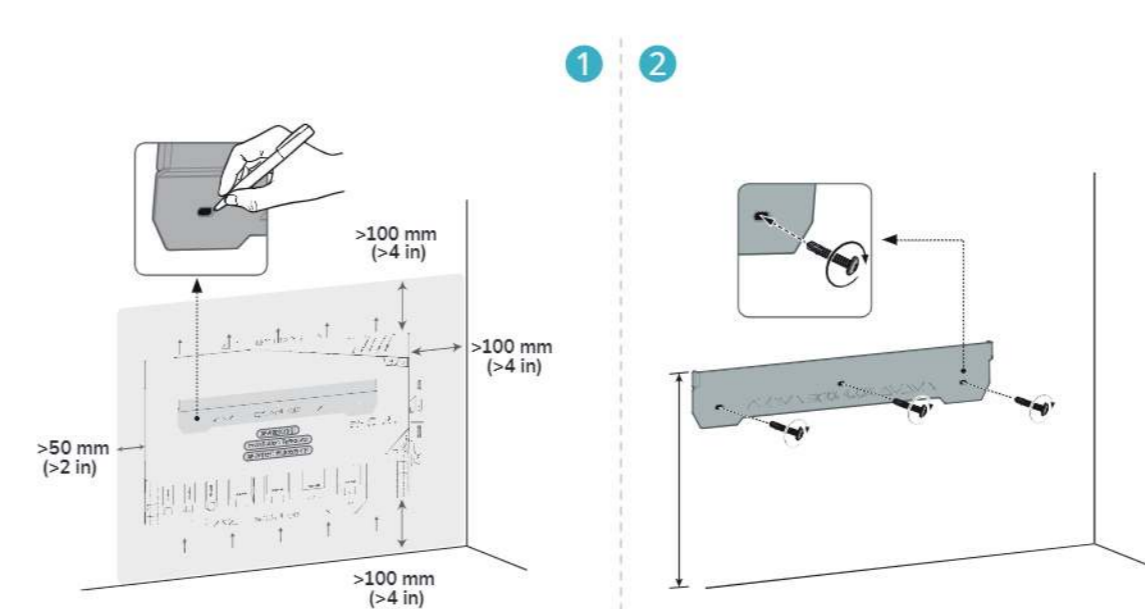
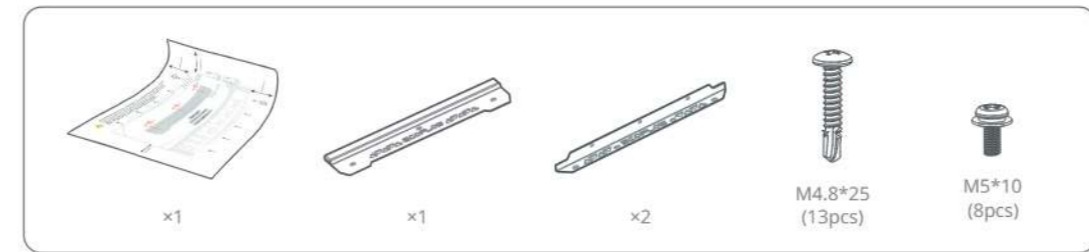
**1 / Power Hub**

**!** Ventilation is a MUST to prevent the Power Hub from overheating.

**CAUTION!**

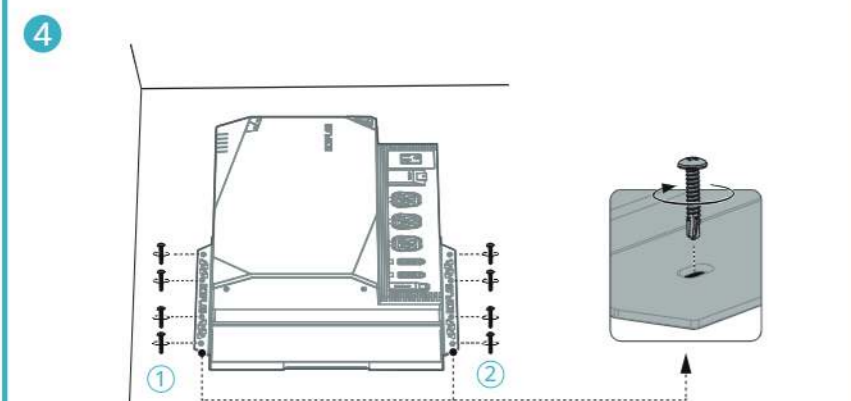
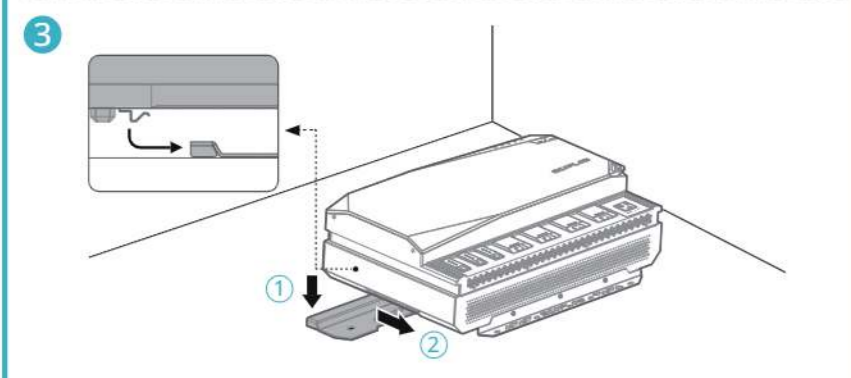
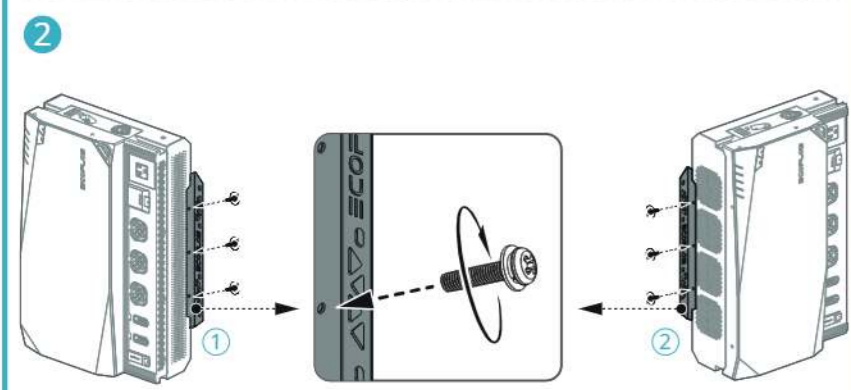
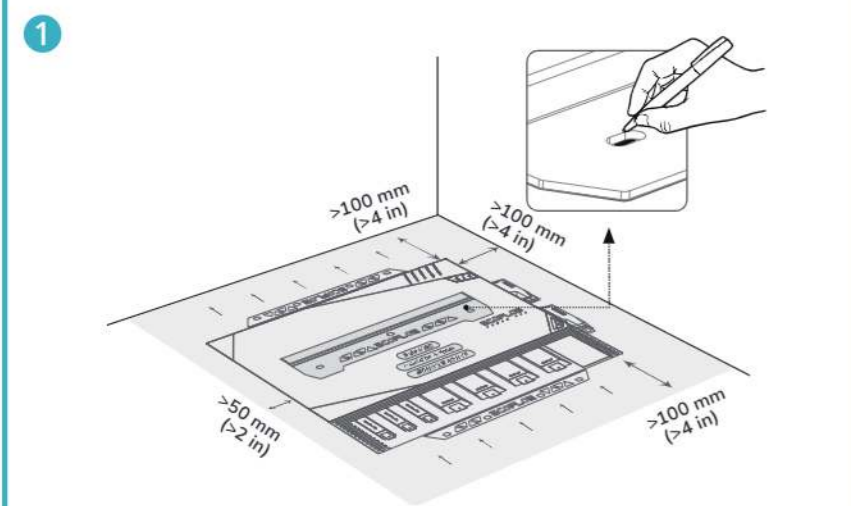
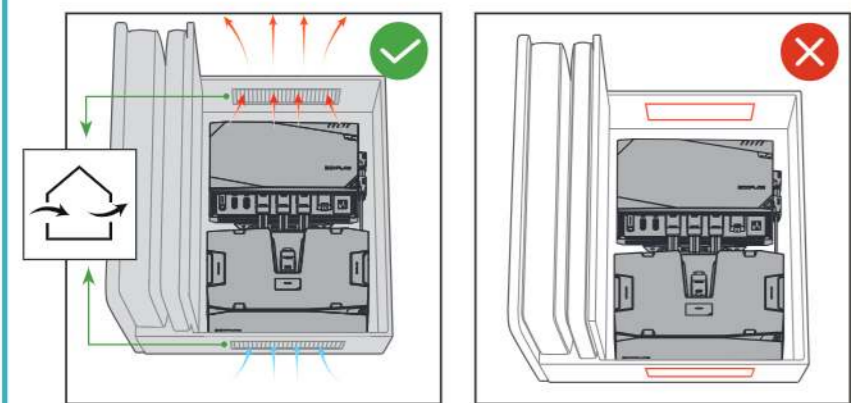


**Wall Mounting**



## Surface Mounting

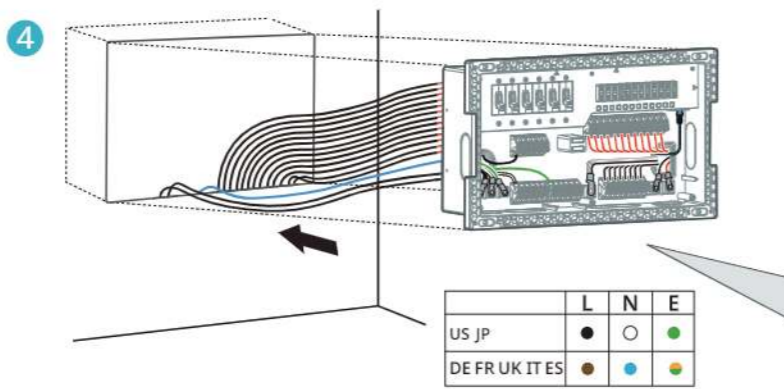
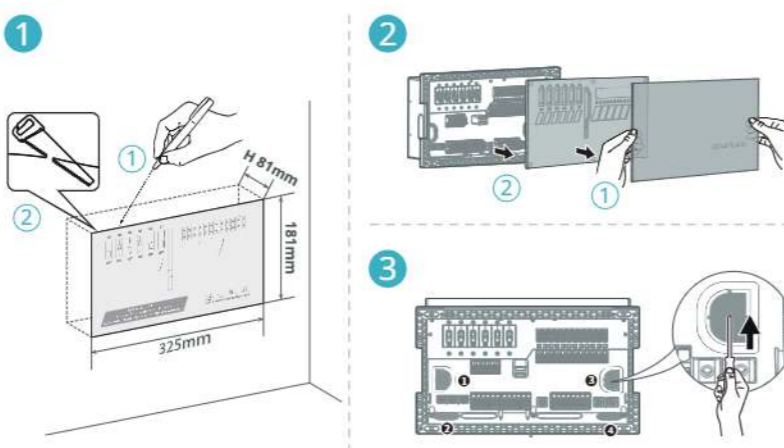
**CAUTION!**



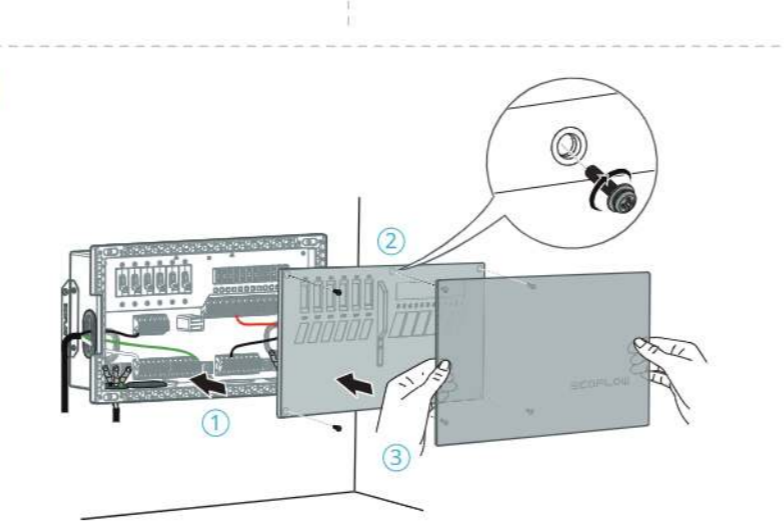
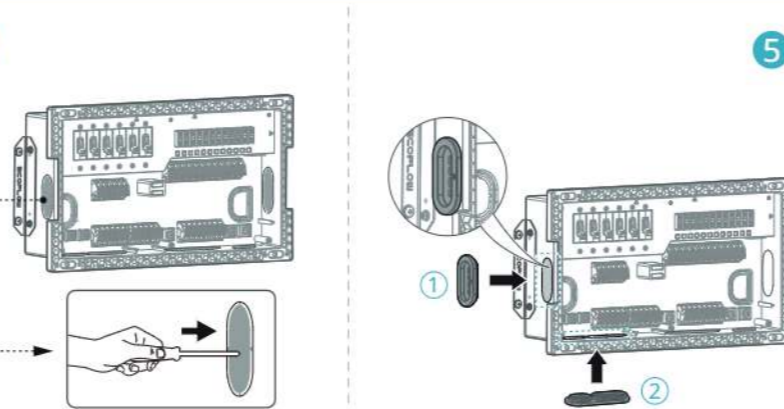
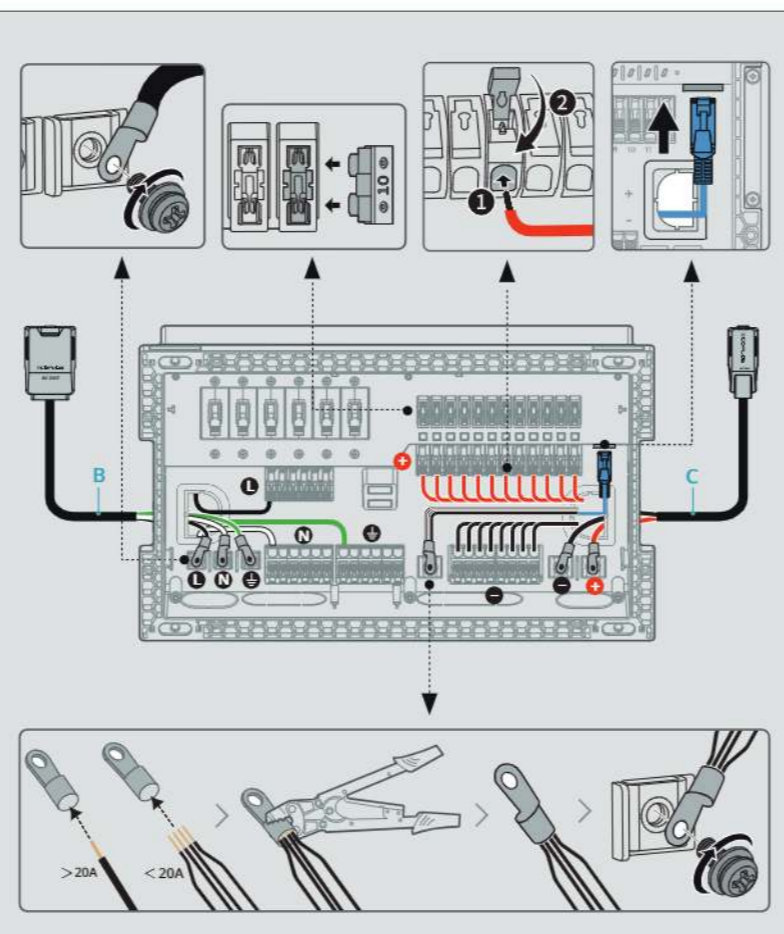
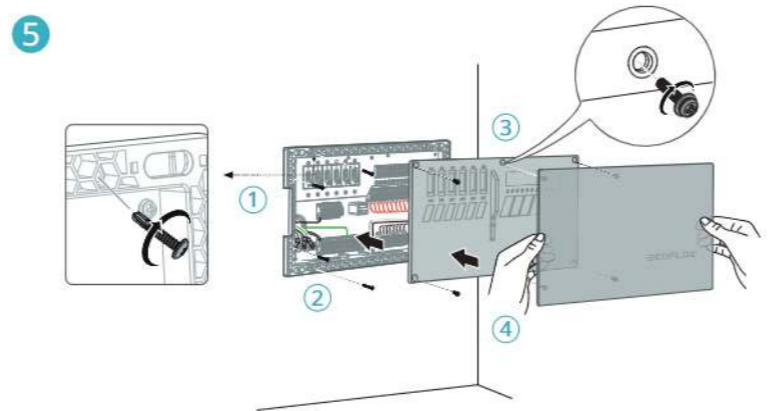
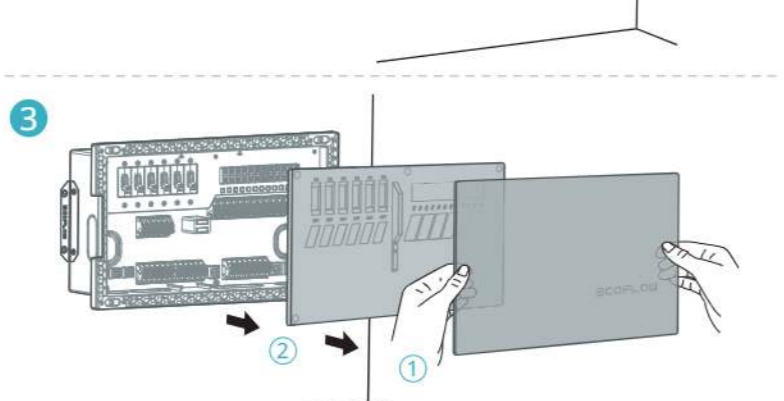
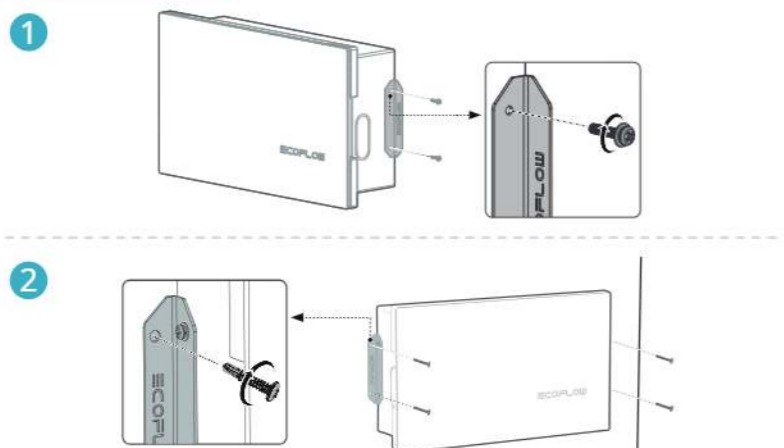
## 2 / AC/DC Smart Distribution Panel



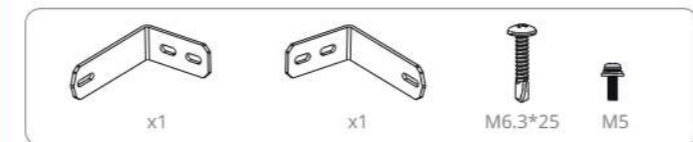
### Installing into a recess



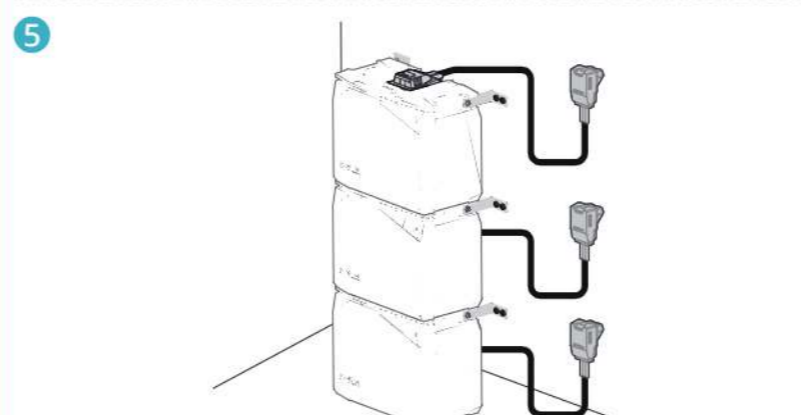
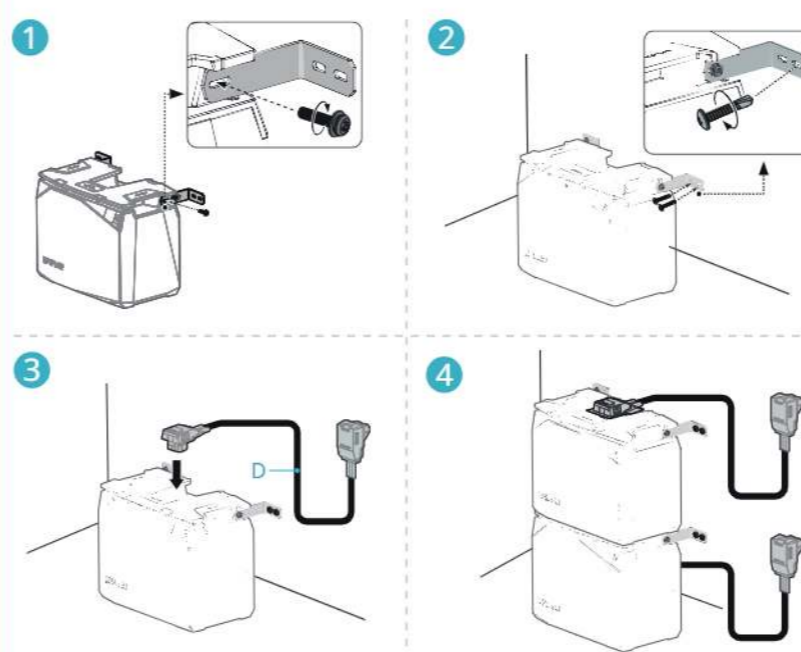
### Wall Mounting



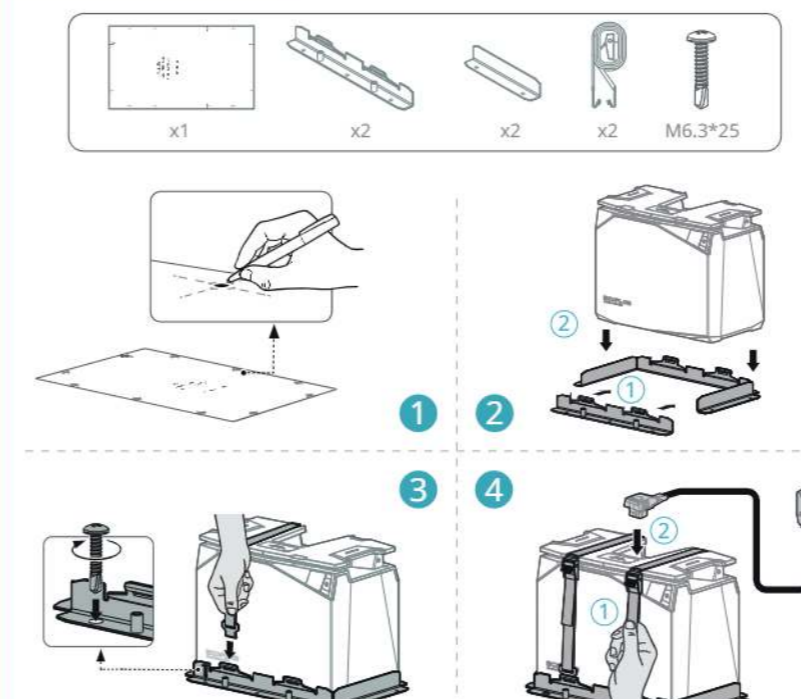
## 3 / 2KWh / 5KWh LFP Battery



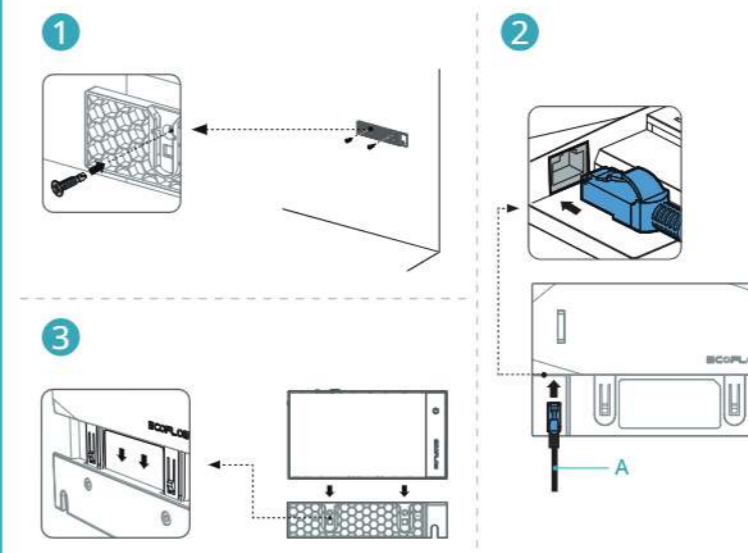
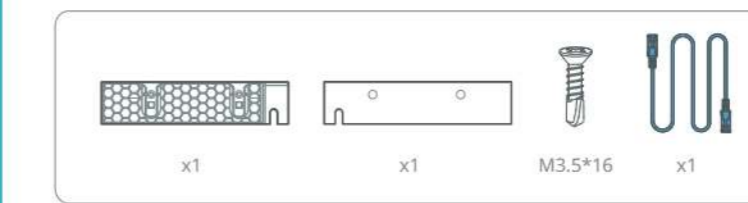
### Stacking Installation



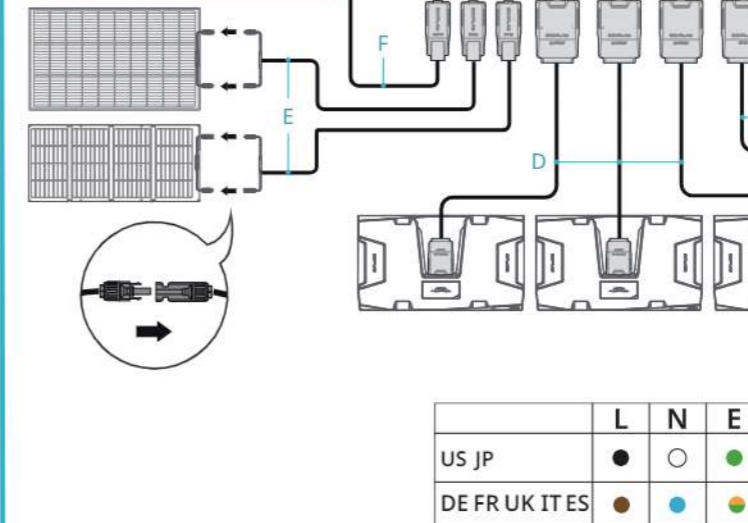
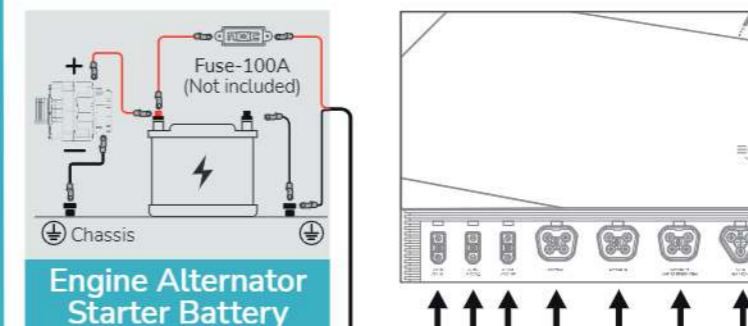
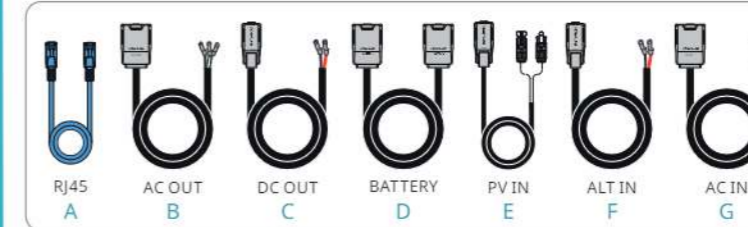
### Surface Mounting



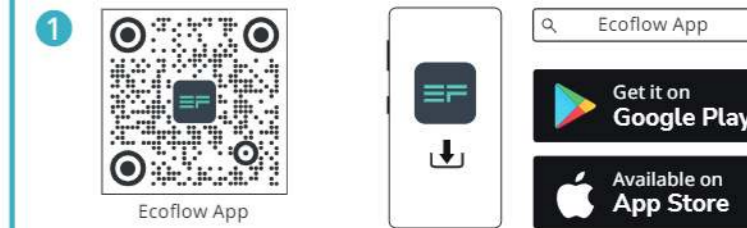
## 4 / Power Kit Console



## 5 / Connecting Components



## 6 / EcoFlow App



4. ONLY SUPPORTS 2.4GHz WIFI



**CAUTION!**  
Each port can be connected to AC/DC Smart Distribution Panel, Power Kit Console, or RJ45 CAN bus terminator. Both ports **MUST** be connected to stabilize communication throughout the system. **Not doing so will cause the system to malfunction.**