



#### Federal Communication Commission Interference Statement

This device complies with Part 15 of the FCC Rules. Operation is subject to the following two conditions: (1) This device may not cause harmful interference, and (2) this device must accept any interference received, including interference that may cause undesired operation.

This equipment has been tested and found to comply with the limits for a Class B digital device, pursuant to Part 15 of the FCC Rules. These limits are designed to provide reasonable protection against harmful interference in a residential installation. This equipment generates, uses and can radiate radio frequency energy and, if not installed and used in accordance with the instructions, may cause harmful interference to radio communications. However, there is no guarantee that interference will not occur in a particular installation. If this equipment does cause harmful interference to radio or television reception, which can be determined by turning the equipment off and on, the user is encouraged to try to correct the interference by one of the following measures:

- Reorient or relocate the receiving antenna.
- Increase the separation between the equipment and receiver.
- Connect the equipment into an outlet on a circuit different from that to which the receiver is connected.
- Consult the dealer or an experienced radio/TV technician for help.

FCC Caution: Any changes or modifications not expressly approved by the party responsible for compliance could void the user's authority to operate this equipment. This equipment complies with FCC radiation exposure limits set forth for an uncontrolled environment. This equipment should be installed and operated with a minimum distance of 20 cm between the radiator and a human body. This transmitter must not be co-located or operating in conjunction with any other antenna or transmitter.

For questions about Elgato product compliance with FCC regulations, please contact: Compliance Officer, Corsair Memory Inc., 115 North McCarthy Blvd, Milpitas, CA 95035, USA

This device complies with ISSED's licence-exempt RSSs.

Operation is subject to the following two conditions: (1) This device may not cause harmful interference, and (2) this device must accept any interference received, including interference that may cause undesired operation. This equipment complies with ISSED radiation exposure limits set forth for an uncontrolled environment. This equipment should be installed and operated with minimum distance 20cm between the radiator and your body.

Le présent appareil est conforme aux CNR d'ISED applicables aux appareils radio exempts de licence.

L'exploitation est autorisée aux deux conditions suivantes : (1) le dispositif ne doit pas produire de brouillage préjudiciable, et (2) ce dispositif doit accepter tout brouillage reçu, y compris un brouillage susceptible de provoquer un fonctionnement indésirable. Cet équipement est conforme aux limites d'exposition aux rayonnements ISSED établies pour un environnement non contrôlé. Cet équipement doit être installé et utilisé avec un minimum de 20cm de distance entre la source de rayonnement et votre corps.

Elgato, a division of:

Corsair Memory Inc., 115 North McCarthy Blvd, Milpitas, CA 95035, USA

Corsair Components Limited, 1020 Eskdale Road, Winnersh Triangle, Wokingham, RG41 5TS, UK

Corsair Memory, BV Wormerweg 8, 1311 XB, Almere, Netherlands

Copyright 2018 - 2023 Corsair Memory Inc. All rights reserved. Elgato and the Elgato logo are trademarks of Corsair Memory Inc., registered in the U.S. and other countries.

Part: 51LAG9901

elgato      /elgato

# LIGHT STRIP PRO

 Quick Start Guide

 Guide de prise en main rapide

 Kurzanleitung

 Guía de inicio rápido

 Guida rapida

 Snelstartgids

 Pikaopas

 Lynstart guide

 Hurtigveiledning

 Kom igång

 Guia de Início Rápido

 Hızlı Kurulum Rehberi

 Σύντομος οδηγός

 Skrócona instrukcja

 Краткое руководство

 クイックスタートガイド

 퀵 스타트 가이드

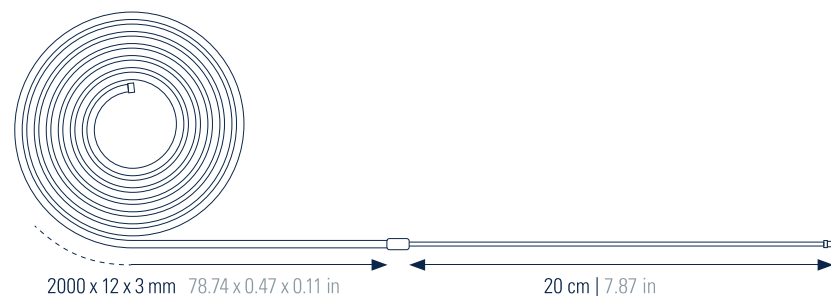
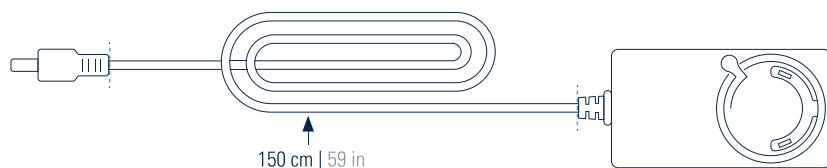
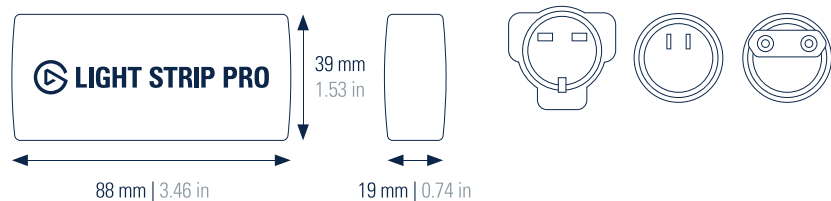
 快速入门指南

 快速入門指南

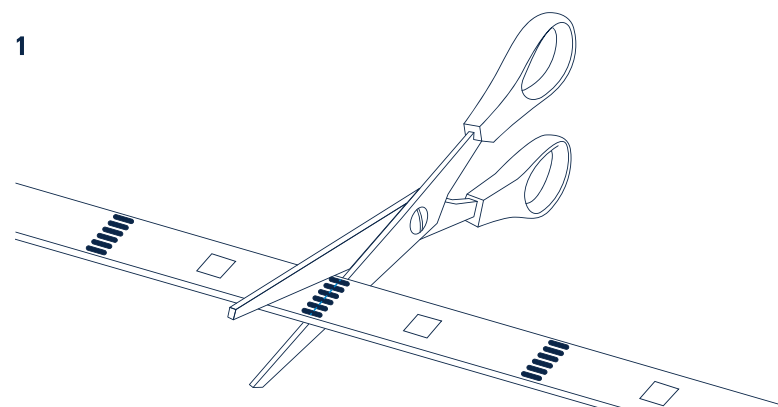
 دليل البدء السريع



# Contents

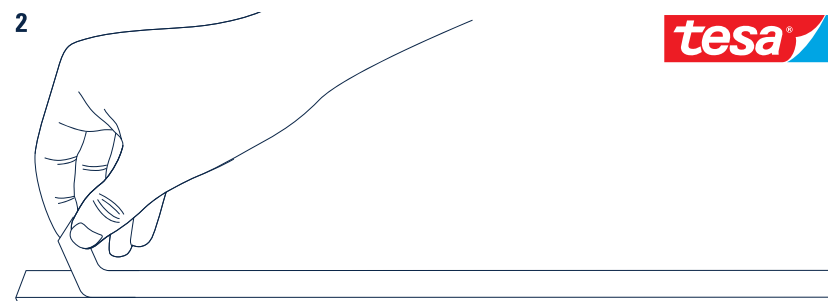


# Mounting



The length of Light Strip Pro can be adjusted to accommodate your chosen application (maximum strip length 2000 mm | 78.8 in). To shorten Light Strip Pro, use a pair of scissors to bisect the oval copper pads.

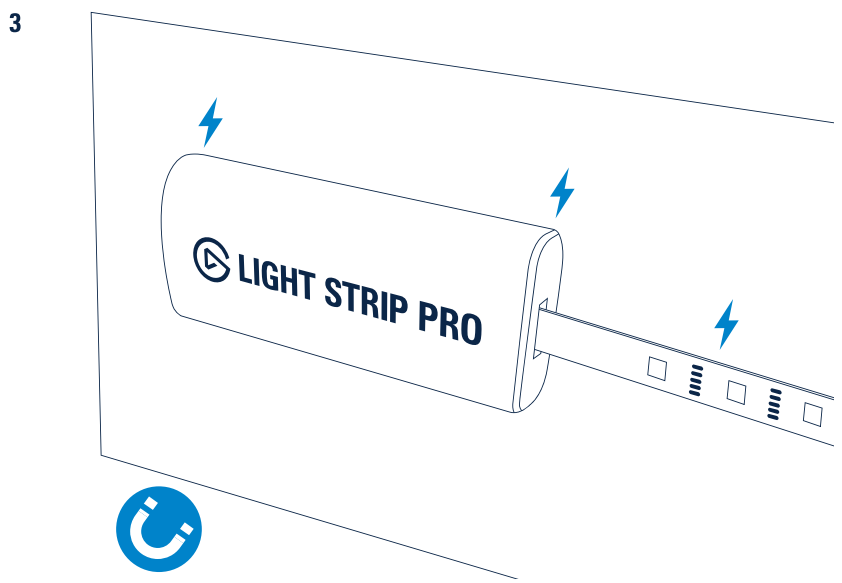
**!** Disconnect Light Strip from power before shortening.



Clean the mounting surface with a lint-free cloth. Peel back some of the protective film to expose a short section of the adhesive backing on Light Strip Pro, and stick to the mounting surface by applying pressure for 5 to 10 seconds. Slowly peel back the remaining film with one hand while using the other hand to press down newly exposed sections of the adhesive backing. Once fully mounted, run your fingertips firmly along the full length of Light Strip Pro to maximize bond strength. Use the additional tesa® adhesive strips to mount the controller.



# Mounting



Light Strip Pro and its controller are magnetic for glueless mounting on ferromagnetic metal surfaces.

**⚠** If you have an ICD or pacemaker, avoid close or prolonged contact with magnets or their magnetic fields.

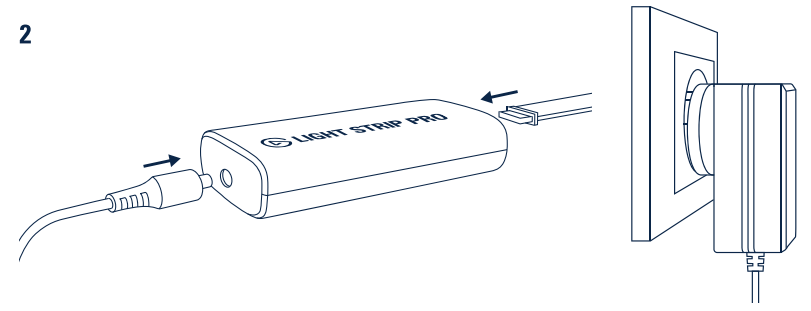
## Warning

- Light Strip Pro may become hot during prolonged use. Always handle with care.
- Light Strip Pro is made for indoor use only.
- Do not cover this product, especially the controller.
- Be especially cautious when setting up near children.
- Do not leave Light Strip Pro in direct sunlight.
- Keep the lighting surface free from dirt and dust. If Light Strip Pro becomes dirty, wipe it lightly with a soft cloth moistened with a little water and mild, neutral detergent. Benzene, thinner and other volatile agents can cause permanent damage and should never be used for cleaning.
- Do not use the product for applications other than those specified in this guide or the packaging.
- Do not use accessories other than those supplied with the product or stated as compatible by the manufacturer.

# Installation



Download and install the Control Center app for Mac, Windows, iOS or Android.

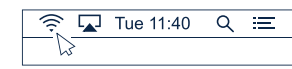


Connect the LED strip to the controller. Then connect the controller to the power supply and plug it into a power outlet.

**ⓘ** After powering up, Light Strip Pro will show a quick startup sequence and engage pairing mode.



Launch the Control Center app and pair Light Strip Pro by clicking the + icon. Control Center will guide you through the setup process.



For Wi-Fi pairing using a Mac, turn on your Light Strip Pro, click the Wi-Fi icon in the top right Status menu, and select your new accessory. After completing the Airport Utility setup process, your Light Strip Pro is accessible from Elgato Control Center.



Use Control Center to switch Light Strip Pro on/off, adjust brightness, fine-tune color, and set temperature. If your PC is not equipped with Wi-Fi, use the Elgato Control Center app on your iOS or Android device to add Light Strip Pro. A Wi-Fi connection is only needed for initial pairing. Once paired, you can control Light Strip Pro via any wired or wireless device in your network.