

EUREKA FORBES Aeroguard™ Auto 10X

Instruction manual

- It is intended to keep you safe and not to allow any property damage.
- Be sure to read this manual first and follow its directions.
- Keep the manual a place where you can find it easily.
- A product warranty is included in the manual.

■ Safety precautions "READ AND SAVE THESE INSTRUCTIONS"

⚠ Warning: Failure to follow these instructions may result in major injury or property damage.

1. Do not insert fingers or foreign materials such as pins, nails, etc. into the air inlet and outlet.
2. Do not open the filter cover during working.
3. Do not open, repair, or alter the product or adaptor arbitrarily.
4. Do not use the product in high humid area, and do not touch the adaptor (or power plug) with wet hands.
5. Do not use the product in where there are combustible gas or flammable materials.
6. Do not spray the product with combustible materials such as pesticide.

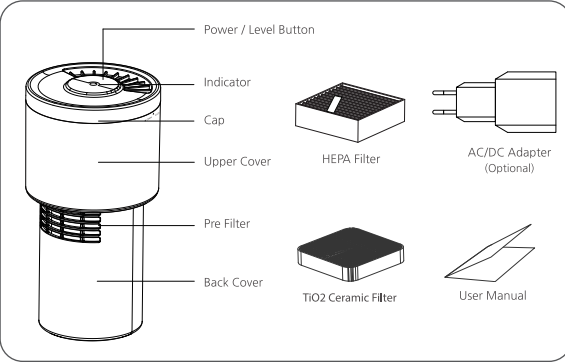
1

⚠ Caution: Failure to follow these instructions may result in injury or property damage.

1. Use the specified adaptor(DC5V, 1A) and do not use a damaged adaptor or a damaged plug.
2. Do not use a damaged or a dusty power cord, or a damaged power socket.
3. Do not insert foreign materials such as pins, nails, etc. into the product.
4. If there are any odd noises, burning odor, or smoke, unplug the power cord immediately.
5. Do not use the adapter and product close to heat sources.
6. If the product is damaged or immersed, be sure to fix it before use.
7. Do not immerse the product in water and do not pour water on the product.
8. Do not bend the power cord and do not get it damaged.
9. Turn off the product first and then unplug the power cord.
10. Do not give any strong impact to the product or drop it on the floor.

2

■ Names of parts



3

■ How to install

⚠ Caution: Failure to follow these instructions may result in injury or property damage.

- Make sure to be no obstacles in the area of air inlet or outlet of the product.
- Make sure to use the product with a filter.
- Do not use the product to remove toxic gas.

■ How to operate

1. Press the button to operate as follows.
Power ON/ OFF (Long Press) → Speed 1 & Speed 2 (Single Touch)

※ If power is restored after shutdown, it will operate in the previous operation state.

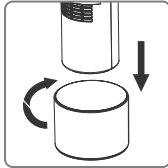
4

■ How to clean

⚠ Caution: Failure to follow these instructions may result in injury or property damage.

- Disconnect the power cord prior to cleaning or exchanging a filter.
- Never spray water directly to clean or wipe the product with detergent containing organic solvents(thinners, etc.), bleach, chlorine, and abrasives.
- TiO2 Ceramic filter and HEPA Filter periodically.
- To clean the body of the product, Wipe with a soft, dry cloth.

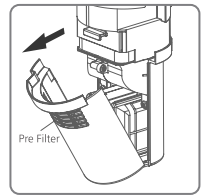
- 1 Turn upper cover clockwise and pull it downward.



5

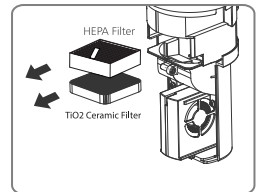
- 2 Pull the back cover as shown.

-Please periodically clean the dust in the pre-filter.



- 3 Remove the filter from the body.

-Replace the HEPA filter periodically. (Do not reuse)
-Refer to next step for how to reconstruct filter.



6

■ How to clean

- 4 How to recycle TiO2 Ceramic Filter cleaning period / 6month



After immersing the TiO2 ceramic filter in boiling water for 20 to 30 minutes, wipe the water off and dry completely using paper towel or dryer before using the product.
※ Take care not to burn yourself with boiled water.

- 5 Insert the cleaned pre-filter and TiO2 ceramic filter and HEPA filter into the product and assemble in reverse order.

■ How to replace

- Purchase the HEPA filter separately and replace as described above.
- Exchanging period / 6month (Depending on the environment, the replacement cycle of the HEPA filter may vary.)

7

■ Product warranty (1 year from the date of purchase)

- If the product fails to operate due to negligence or fault of the customer, then repair or replacement may be provided for a fee. Please keep this warranty card and all related documents in a safe place, these are your only copies and they shall not be reissued.

Product Name	Aeroguard™ Auto 10X	Model Name
Date of Purchase		Date of Purchase
Distributor(Dealer)		Customer Name
Customer Address		
Telephone No.		

8