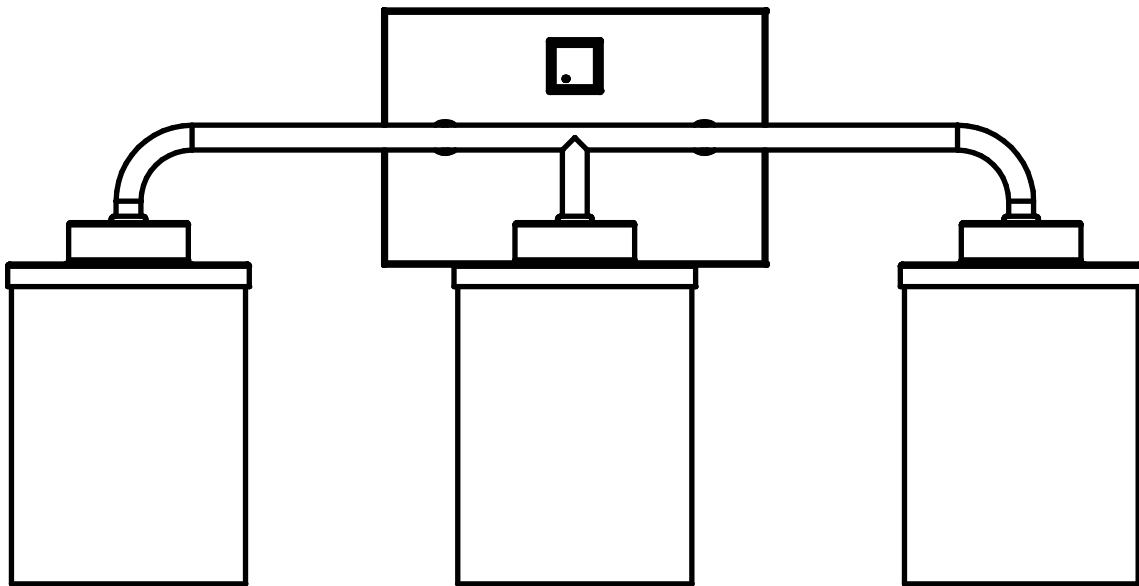


21 INCH 3 LIGHT LED VANITY FIXTURE WITH MOTION NIGHT LIGHT

IMPORTANT SAFETY INSTRUCTIONS AND INSTALLATION GUIDE



**IMPORTANT, RETAIN FOR FUTURE REFERENCE:
READ CAREFULLY**

FOR INDOOR USE ONLY, NOT FOR COMMERCIAL USE



Table of Contents

Safety Information	2
FCC Statement	2
Warranty	2
Pre-Assembly	3
Installation	3-4
Operating the Fixture	4

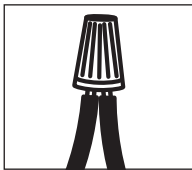
Safety Information

For your safety, always remember to:

- Ground the fixture to avoid potential electric shock and to ensure reliable starting.
- Double-check all connections to be sure they are tight and correct.
- Wear rubber soled shoes and work on a sturdy wooden ladder.
- Account for small parts and destroy packing material, as these may be hazardous to children.
- This fixture is designed for use in a circuit protected by a fuse or circuit breaker.

IMPORTANT WIRING INFORMATION

Always follow the recommended wire strip lengths and wiring combinations when connecting wires.



Hold stripped ends next to each other and align frayed strands (do not twist wires).

Push wires firmly into wire nut. Using your fingers, twist wire nut clockwise until tight. Check for tightness by pulling wires.

FCC STATEMENT

Supplier's Declaration of Conformity:

47 CFR § 2.1077 Compliance Information

Responsible Party: Feit Electric Company

4901 Gregg Road, Pico Rivera, CA 90660, USA

Unique Identifier: VAN21/3L1/MOBAT/BK

This device complies with part 15 of the FCC Rules. Operation is subject to the following two conditions: (1) This device may not cause harmful interference, and (2) this device must accept any interference received, including interference that may cause undesired operation. Note: This equipment has been tested and found to comply with the limits for a Class B digital device, pursuant to part 15 of the FCC Rules. These limits are designed to provide reasonable protection against harmful interference in a residential installation. This equipment generates, uses and can radiate radio frequency energy and, if not installed and used in accordance with the instructions, may cause harmful interference to radio communications. However, there is no guarantee that interference will not occur in a particular installation. If this equipment does cause harmful interference to radio or television reception, which can be determined by turning the equipment off and on, the user is encouraged to try to correct the interference by one or more of the following measures: Reorient or relocate the receiving antenna. Increase the separation between the equipment and receiver. Connect the equipment into an outlet on a circuit different from that to which the receiver is connected. Consult the dealer or an experienced radio/TV technician for help. Any changes or modifications not expressly approved by the manufacturer could void the user's authority to operate the equipment. www.feit.com.

Limited Warranty

This product is warranted to be free from defects in workmanship and materials for up to 3 years from date of purchase. If the product fails within the warranty period, please contact Feit Electric at info@feit.com, visit feit.com/contact-us or call 1-866-326-BULB (2852) for instructions on replacement or refund. REPLACEMENT OR REFUND IS YOUR SOLE REMEDY. EXCEPT TO THE EXTENT PROHIBITED BY APPLICABLE LAW, ANY IMPLIED WARRANTIES ARE LIMITED IN DURATION TO THE DURATION OF THIS WARRANTY. LIABILITY FOR INCIDENTAL OR CONSEQUENTIAL DAMAGES IS HEREBY EXPRESSLY EXCLUDED. Some states and provinces do not allow the exclusion of incidental or consequential damages, so the above limitation or exclusion may not apply to you. This warranty gives you specific legal rights, and you may also have other rights which vary from state to state or province to province.

Product Specifications

- 120VAC, 60Hz, 3xMax. 42W Type SBLED Lamp.
- Dimmable
- Suitable for Damp Locations
- Fixture designed for use only with LED light bulbs.



WARNING: RISK OF SHOCK. House electric current can cause painful shock or serious injury unless handled properly.



WARNING: RISK OF CUTS. Some metal parts in the fixture may have sharp edges. To prevent cuts and scrapes, wear gloves when handling the parts.



CAUTION: Turn off the main power at the circuit breaker before installing the fixture, in order to prevent possible shock.

NOTICE: All electrical connections must be in accordance with local and national standards, National Electric Code (N.E.C.) in the US and Canadian Electrical Code (C.E.C.) in Canada. If you are unfamiliar with proper electrical wiring connections obtain the services of a qualified electrician.

BATTERY WARNING: Risk of fire, explosion, and burns. Do not disassemble, crush, heat above 100° C / 212° F or incinerate. Keep battery out of reach of children and in its original package until ready to use. DISPOSE OF USED BATTERY PROMPTLY ACCORDING TO LOCAL RECYCLING OR WASTE REGULATIONS.

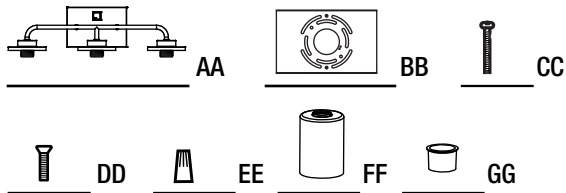
Pre-Assembly

TOOLS REQUIRED (NOT INCLUDED)



Phillips
Screwdriver

PARTS INCLUDED



NOTE: Hardware not shown to actual size.



NOTE: Remove the fixture and the mounting package from the box and make sure that no parts are missing by referencing the illustrations on the installation instructions. If any parts are missing or damaged, do not attempt to install or operate this product.

Part	Description	Quantity
AA	Fixture Body	1
BB	Mounting Plate	1
CC	Junction Box Mounting Screws	2
DD	Fixture Mounting Screws	2
EE	Wire Connectors	3
FF	Glass Shades	3
GG	Retaining Rings	3

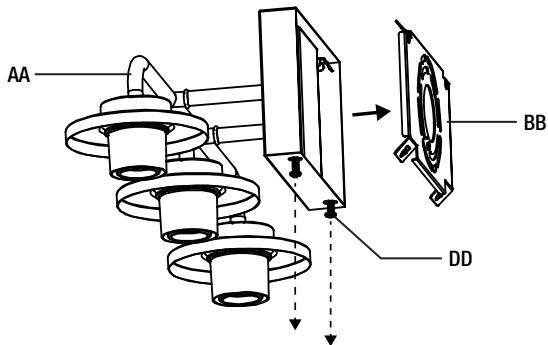
Installation

1 Turning Off the Power

Turn off the power at the switch and fuse or circuit breaker box.

2 Removing the Mounting Plate

Remove the mounting plate (BB) from fixture (AA) by loosening the 2 mounting plate screws (DD) using a Phillips head screwdriver.

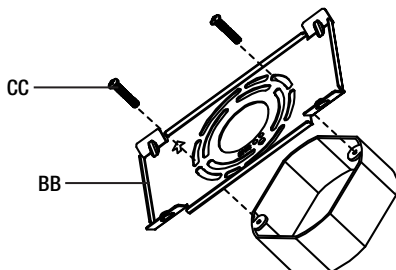


3 Installing the Mounting Plate to the Junction Box

Attach the mounting plate (BB) to the junction box by inserting the two junction box mounting screws (CC) through the slots in the mounting plate (BB).

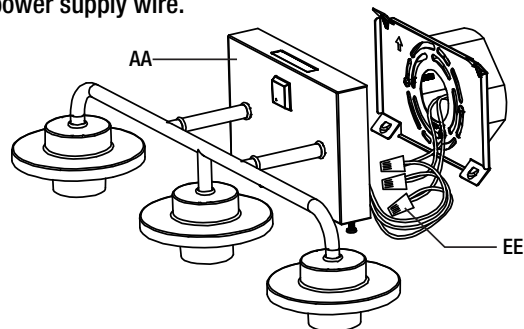


NOTE: The mounting plate (BB) is directional, please make sure the arrow on the mounting plate (BB) points up to ensure proper installation.



4 Connecting the Fixture

Use the wire connectors (EE) to connect the green wire from the fixture (AA) to the green or bare copper ground (house) wire. If the junction box is grounded, you may fasten the fixture ground wire directly to the junction box. Connect the white fixture wire(s) to the neutral supply wire. Connect the black fixture wire(s) to the power supply wire.

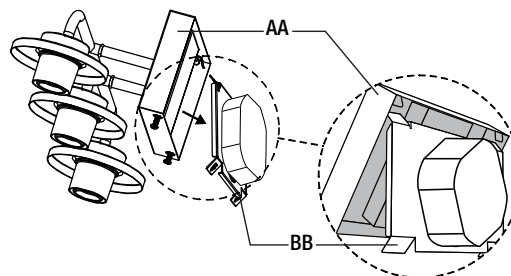


5 Installing the Fixture

Install the fixture (AA) onto the mounting plate (BB) by aligning and inserting the top tabs first.



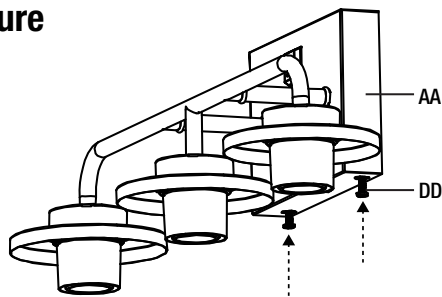
NOTE: The tabs on the fixture (AA) are angled to fit the mounting plate (BB). Please make sure to position the fixture (AA) at an upward angle to align these tabs properly during installation.



Installation (continued)

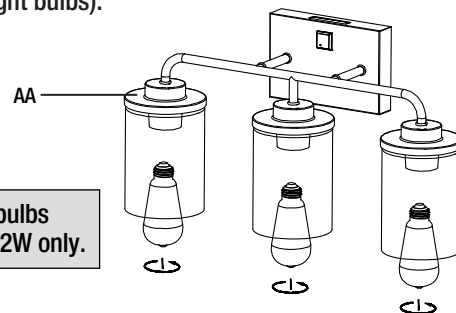
6 Securing the Fixture

Align the bottom tabs and position the fixture to be flushed with the wall. Tighten the fixture mounting screws (DD) located at the bottom to secure the fixture (AA) in place.



8 Installing Light Bulbs (bulbs not included)


Screw in LED light bulbs into the fixture (AA) light sockets clockwise until they are secure (over tightening can damage both the fixture and light bulbs).

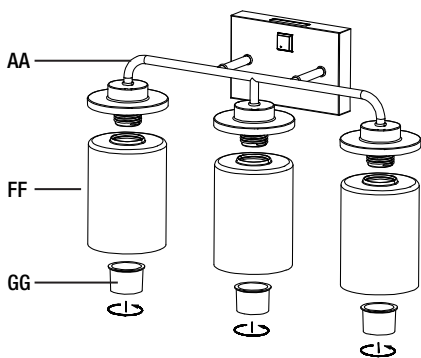


 **NOTE:** Use LED bulbs rated for up to 42W only.

7 Installing the Glass Shades

Turn the retaining rings (GG) counter-clockwise to remove from the fixture (AA). Insert the glass shades (FF) into the lamp holders and hold. Screw the retaining rings (GG) onto the lamp holders by turning them clockwise until the glass shades (GG) are securely in place.

 **NOTE:** Do not over tighten the retaining rings, the glass shades are fragile and can shatter.



9 Turn the Power On

Turn on the power at the switch and fuse or circuit breaker box.

Operating the Fixture

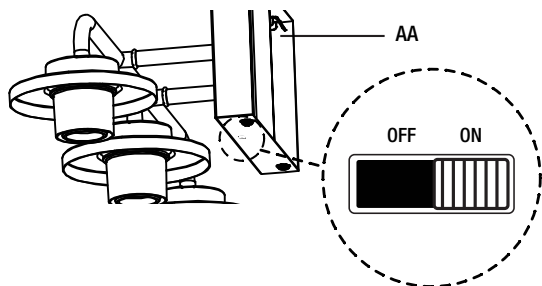
1 Operation Instructions

Turn on the light switch to operate the fixture normally. The LED bulbs will turn on, and during this time, the Night Light battery will charge.

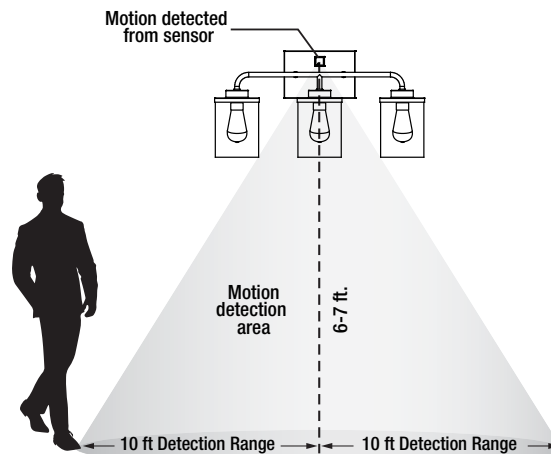
Turn off the light switch to allow the Motion Night Light to activate. The Motion Night Light will automatically turn on at a dim level for 60 seconds when in a dark room and movement is detected.

2 Toggling Night Light

The Night Light switch is set in the Off position by default. To enable the Night Light, locate the switch at the bottom of the fixture (AA) and toggle the switch on the fixture to turn On.



3 Motion Detection Range



4 Charging the Battery

The Motion Night Light is powered by the internal battery, which will automatically recharge during regular use when the wall switch is set to the ON position. It takes approximately 3 hours to fully charge the battery, providing at least 4 hours of runtime.