



20V CORDLESS RECIPROCATING SAW RSM1022

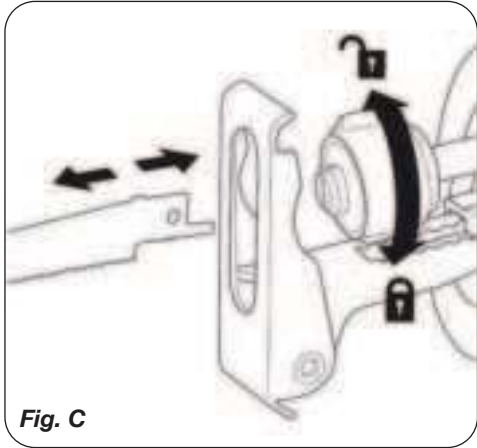
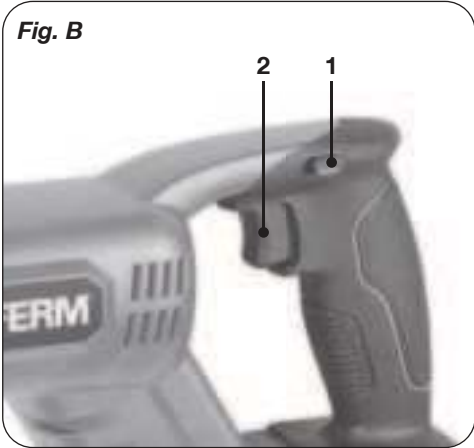
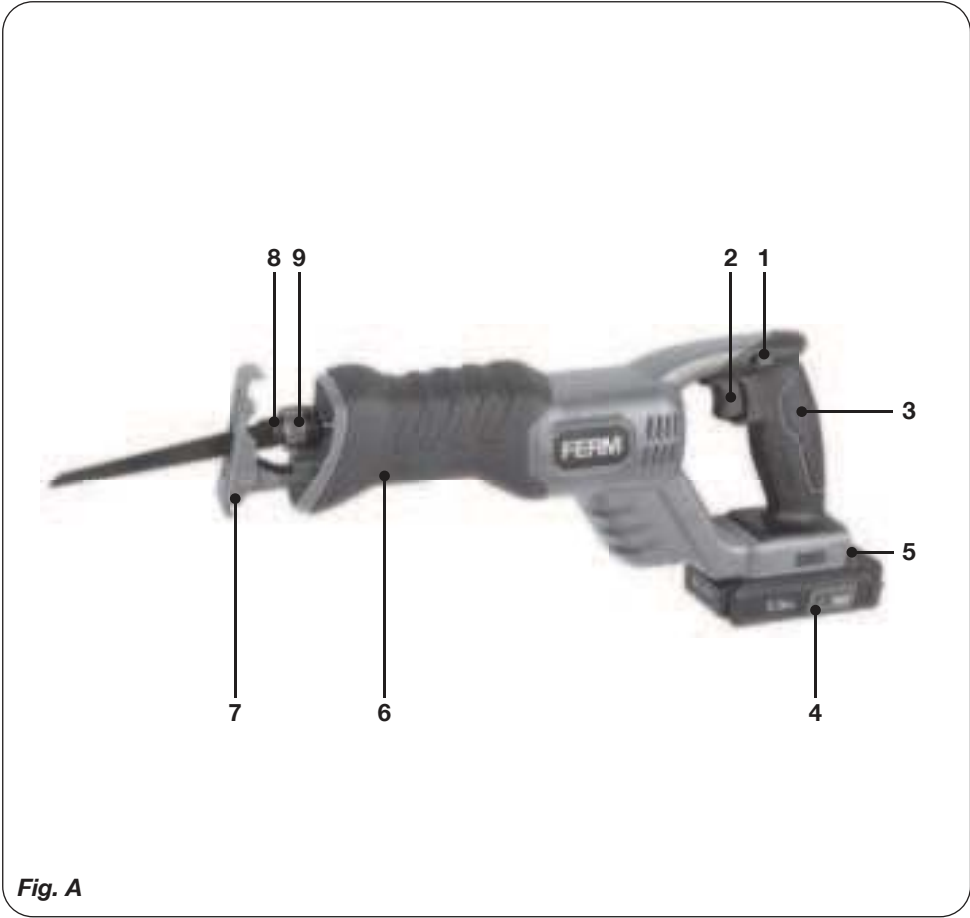
EN	Original instructions	04
RU	Перевод исходных инструкций	10
TR	Orijinal talimatların çevirisi	17

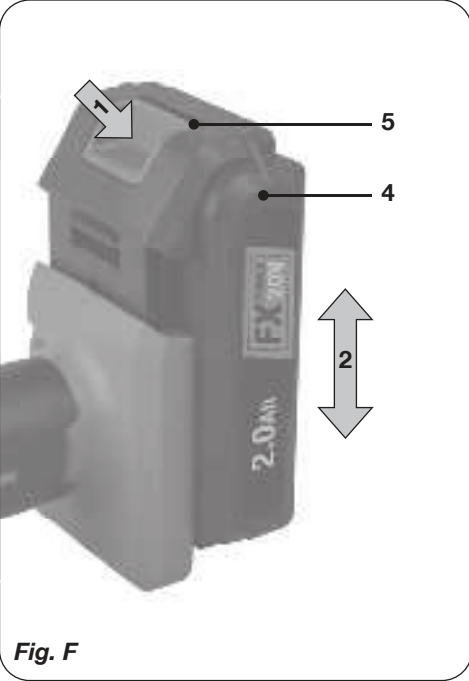
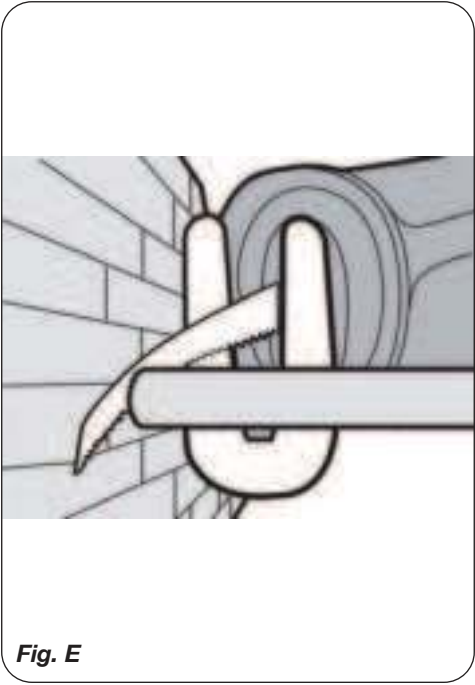
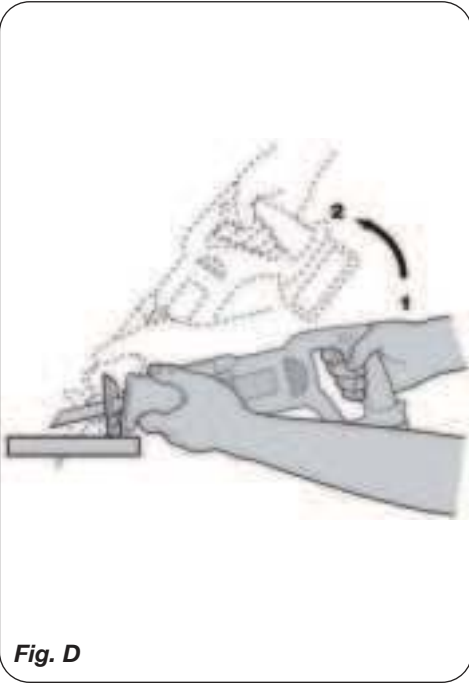


THE EXCHANGEABLE BATTERY PLATFORM



WWW.FERM.COM





RECIPROCATING SAW RSM1022

Thank you for buying this FERM product. By doing so you now have an excellent product, delivered by one of Europe's leading suppliers. All products delivered to you by Ferm are manufactured according to the highest standards of performance and safety. As part of our philosophy we also provide an excellent customer service, backed by our comprehensive warranty. We hope you will enjoy using this product for many years to come.

1. SAFETY INSTRUCTIONS



Read the enclosed safety warnings, the additional safety warnings and the instructions. Failure to follow the safety warnings and the instructions may result in electric shock, fire and/or serious injury. **Save the safety warnings and the instructions for future reference.**

The following symbols are used in the user manual or on the product:



Read the user manual.



Denotes risk of personal injury, loss of life or damage to the tool in case of nonobservance of the instructions in this manual.



Keep bystanders, especially children and pets, at a distance greater than 10m.



Wear eye protection.
Wear ear protection.



Wear a dust mask protection.



Danger Area! Keep hands far away (10cm) from the cutting area while the machine is running. Danger of injury when coming in contact with the saw blade.



Do not dispose of the product in unsuitable containers.



The product is in accordance with the applicable safety standards in the European directives.

GENERAL POWER TOOL SAFETY WARNINGS



WARNING!

Read all safety warnings and all instructions. Failure to follow the warnings and instructions may result in electric shock, fire and/or serious injury.

Save all warnings and instructions for future reference.

The term "power tool" in the warnings refers to your mains-operated (corded) power tool or battery-operated (cordless) power tool.

1) Work area safety

- a) **Keep work area clean and well lit.** Cluttered or dark areas invite accidents.
- b) **Do not operate power tools in explosive atmospheres, such as in the presence of flammable liquids, gases or dust.** Power tools create sparks which may ignite the dust or fumes.
- c) **Keep children and bystanders away while operating a power tool.** Distractions can cause you to lose control.

2) Electrical safety

- a) **Power tool plugs must match the outlet. Never modify the plug in any way. Do not use any adapter plugs with earthed (grounded) power tools.** Unmodified plugs and matching outlets will reduce risk of electric shock.
- b) **Avoid body contact with earthed or grounded surfaces, such as pipes, radiators, ranges and refrigerators.** There is an increased risk of electric shock if your body is earthed or grounded.
- c) **Do not expose power tools to rain or wet conditions.** Water entering a power tool will increase the risk of electric shock.
- d) **Do not abuse the cord. Never use the cord for carrying, pulling or unplugging the**

power tool. Keep cord away from heat, oil, sharp edges or moving parts. *Damaged or entangled cords increase the risk of electric shock.*

- e) **When operating a power tool outdoors, use an extension cord suitable for outdoor use.** *Use of a cord suitable for outdoor use reduces the risk of electric shock.*
- f) **If operating a power tool in a damp location is unavoidable, use a residual current device (RCD) protected supply.** *Use of an RCD reduces the risk of electric shock.*

3) Personal safety

- a) **Stay alert, watch what you are doing and use common sense when operating a power tool. Do not use a power tool while you are tired or under the influence of drugs, alcohol or medication.** *A moment of inattention while operating power tools may result in serious personal injury.*
- b) **Use personal protective equipment. Always wear eye protection.** *Protective equipment such as dust mask, non-skid safety shoes, hard hat, or hearing protection used for appropriate conditions will reduce personal injuries.*
- c) **Prevent unintentional starting. Ensure the switch is in the off-position before connecting to power source and/or battery pack, picking up or carrying the tool.** *Carrying power tools with your finger on the switch or energising power tools that have the switch on invites accidents.*
- d) **Remove any adjusting key or wrench before turning the power tool on.** *A wrench or a key left attached to a rotating part of the power tool may result in personal injury.*
- e) **Do not overreach. Keep proper footing and balance at all times.** *This enables better control of the power tool in unexpected situations.*
- f) **Dress properly. Do not wear loose clothing or jewellery. Keep your hair, clothing and gloves away from moving parts.** *Loose clothes, jewellery or long hair can be caught in moving parts.*
- g) **If devices are provided for the connection of dust extraction and collection facilities, ensure these are connected and properly used.** *Use of dust collection can reduce dust related hazards.*

- h) **Do not let familiarity gained from frequent use of tools allow you to become complacent and ignore tool safety principles.** *A careless action can cause severe injury within a fraction of a second.*

4) Power tool use and care

- a) **Do not force the power tool. Use the correct power tool for your application.** *The correct power tool will do the job better and safer at the rate for which it was designed.*
- b) **Do not use the power tool if the switch does not turn it on and off.** *Any power tool that cannot be controlled with the switch is dangerous and must be repaired.*
- c) **Disconnect the plug from the power source and/or the battery pack from the power tool before making any adjustments, changing accessories, or storing power tools.** *Such preventive safety measures reduce the risk of starting the power tool accidentally.*
- d) **Store idle power tools out of the reach of children and do not allow persons unfamiliar with the power tool or these instructions to operate the power tool.** *Power tools are dangerous in the hands of untrained users.*
- e) **Maintain power tools. Check for misalignment or binding of moving parts, breakage of parts and any other condition that may affect the power tool's operation. If damaged, have the power tool repaired before use.** *Many accidents are caused by poorly maintained power tools.*
- f) **Keep cutting tools sharp and clean.** *Properly maintained cutting tools with sharp cutting edges are less likely to bind and are easier to control.*
- g) **Use the power tool, accessories and tool bits etc. in accordance with these instructions, taking into account the working conditions and the work to be performed.** *Use of the power tool for operations different from those intended could result in a hazardous situation.*
- h) **Keep handles and grasping surfaces dry, clean and free from oil and grease.** *Slippery handles and grasping surfaces do not allow for safe handling and control of the tool in unexpected situations.*

5) Battery tool use and care

- a) **Recharge only with the charger specified by the manufacturer.** *A charger that is suitable for one type of battery pack may create a risk of fire when used with another battery pack.*
 - b) **Use power tools only with specifically designated battery packs.** *Use of any other battery packs may create a risk of injury and fire.*
 - c) **When battery pack is not in use, keep it away from other metal objects, like paper clips, coins, keys, nails, screws or other small metal objects that can make a connection from one terminal to another.** *Shorting the battery terminals together may cause burns or a fire.*
 - d) **Under abusive conditions, liquid may be ejected from the battery; avoid contact. If contact accidentally occurs, flush with water. If liquid contacts eyes, additionally seek medical help.** *Liquid ejected from the battery may cause irritation or burns.*
 - e) **Do not use a battery pack or tool that is damaged or modified.** *Damaged or modified batteries may exhibit unpredictable behaviour resulting in fire, explosion or risk of injury.*
 - f) **Do not expose a battery pack or tool to fire or excessive temperature.** *Exposure to fire or temperature above 130 °C may cause explosion. NOTE The temperature „130 °C“ can be replaced by the temperature „265 °F“.*
 - g) **Follow all charging instructions and do not charge the battery pack or tool outside the temperature range specified in the instructions.** *Charging improperly or at temperatures outside the specified range may damage the battery and increase the risk of fire.*
- 6) **Service**
 - a) **Have your power tool serviced by a qualified repair person using only identical replacement parts.** *This will ensure that the safety of the power tool is maintained.*
 - b) **Never service damaged battery packs.** *Service of battery packs should only be performed by the manufacturer or authorized service providers.*

SAFETY WARNINGS FOR RECIPROCATING SAWS

- Hold power tool by insulated gripping surfaces, when performing an operation where the cutting accessory may contact hidden wiring. Cutting accessory contacting a “live” wire may make exposed metal parts of the power tool “live” and could give the operator an electric shock.
- Keep hands away from the sawing range. Do not reach under the workpiece. Contact with the saw blade can lead to injuries.
- Apply the machine to the workpiece only when switched on. Otherwise there is danger of kickback when the cutting tool jams in the workpiece.
- When sawing, the base plate must always face against the workpiece. The saw blade can become wedged and lead to loss of control over the machine.
- When the cut is completed, switch off the machine and then pull the saw blade out of the cut only after it has come to a standstill. In this manner you can avoid kickback and can place down the machine securely.
- Use only undamaged saw blades that are in perfect condition. Bent or dull saw blades can break, negatively influence the cut, or lead to kickback.
- Do not brake the saw blade to a stop by applying side pressure after switching off. The saw blade can be damaged, break or cause kickback.
- Use clamps or another practical way to secure and support the workpiece to a stable platform. Holding the workpiece by hand or against your body leaves it unstable and may lead to loss of control.
- Use appropriate detectors to determine if utility lines are hidden in the work area or call the local utility company for assistance. Contact with electric lines can lead to fire and electric shock. Damaging a gas line can lead to explosion. Penetrating a water line causes property damage.
- When working with the machine, always hold it firmly with both hands and provide for a secure stance. The power tool is guided more secure with both hands.
- Secure the workpiece. A workpiece clamped with clamping devices or in a vice is held more secure than by hand.


- Always wait until the machine has come to a complete stop before placing it down. The tool insert can jam and lead to loss of control over the power tool.

2. MACHINE INFORMATION

Intended use

The machine is intended for sawing wood, plastic and metal while keeping the baseplate resting firmly on the workpiece. It is suitable for straight and curved cuts. It is also possible to cut flush to the workpiece surface. A suitable saw blade must always be used.

Technical specifications

Model No.	RSM1022
Rated voltage	20 V 
No load speed	0-3000/min
Saw stroke	23mm
Max. saw capacity wood	115mm
Max. saw capacity steel	10mm
Weight	1.7 kg
Sound pressure level LPA	83.4 dB(A), K=3dB(A)
Sound power level LWA	94.4 dB(A), K=3dB(A)
Vibration sawing plywood	10.847 m/s ² K=1.5 m/s ²
Vibration sawing metal	9.852 m/s ² K=1.5 m/s ²

Only use the following batteries of the FX-POWER battery platform. Using any other batteries could cause serious injury or damage the tool.

CDA1167	20V, 2Ah Lithium-Ion
CDA1168	20V, 4Ah Lithium-Ion

The following charger of the can be used to charge these batteries.

CDA1169	Charger adapter
CDA1170	Quick charger

The batteries of the FX-POWER battery platform are interchangeable with all the FERM FX-POWER battery platform tools.

Vibration level

The vibration emission level stated in this instruction manual has been measured in accordance with a standardized test given in EN62841; it may be used to compare one tool with another and as a preliminary assessment of exposure to vibration when using the tool for the applications mentioned.

- Using the tool for different applications, or with different or poorly maintained accessories, may significantly increase the exposure level.
- The times when the tool is switched off or when it is running but not actually doing the job, may significantly reduce the exposure level.

Protect yourself against the effects of vibration by maintaining the tool and its accessories, keeping your hands warm, and organizing your work patterns.

DESCRIPTION

The numbers in the text refer to the diagrams on page 2-3.

1. Lock-off button
2. On/Off button
3. Handle
4. Battery (not included)
5. Battery unlock button
6. Auxiliary handle
7. Baseplate
8. Chuck
9. Clamping lever

3. ASSEMBLY



Before any work on the power tool, remove the battery.



The battery must be charged before first use.

Inserting the battery into the machine (Fig. A, F)



Ensure that the exterior of the battery is clean and dry before connecting to the charger or machine.

1. Insert the battery (4) into the base of the machine as shown in Fig. F.
2. Push the battery further forward until it clicks into place.

Removing the battery from the machine (Fig. A, F)

1. Push the battery unlock button (5).
2. Pull the battery out of the machine like shown in Fig. F.

Replacing the saw blade (Fig. A, C)

When mounting the saw blade, wear protective gloves. Danger of injury when touching the saw blade.



Only use saw blades that correspond with the characteristic data given in the operating instructions.

Mounting the saw blade

Make sure the blade holder is free of material debris (such as splinters of wood or metal).

1. Turn the clamping lever (9) as far to the left as possible and hold it in this position.
2. Insert the saw blade in the chuck (8). Check that the saw blade is securely fixed and that the teeth are pointing downwards.
3. Let go of the clamping lever. Check whether the saw blade is locked in place.

Make sure to use the right sawblade for the corresponding material. Included with the machine is a coarse sawblade for wood and a fine sawblade for metal and plastics.

Removing the saw blade

1. Turn the clamping lever (9) as far to the left as possible and hold it in this position.
2. Remove the saw blade from the chuck (8).
3. Let go of the clamping lever.

4. OPERATION**Switching the machine on/off (Fig. A, B)**

The on/off switch (2) is used for activating the machine and adjusting speed.

- To start the machine, press and hold the lock-off button (1) and press the on/off switch (2).
- The further the on/off switch (2) is being pushed, the faster the blade will move. The required speed depends on the material and can be determined by practical testing.
- To stop the machine, release the on/off switch (2).

Plunge cutting (Fig. D)

Plunge cutting may only be used on soft materials such as wood, aerated concrete, gypsum plaster boards, etc. However, this requires a certain practice and is only possible with short saw blades.

1. Place the saw onto the workpiece and switch it on.
2. Ensure that the bottom edge of the footplate rests on the workpiece surface as shown.
3. Slowly saw into the workpiece at an angle, moving the saw to a vertical position and continue to saw along the cutting line.
4. Switch the saw off and lift off the workpiece when the work is complete.

Flush cutting (Fig. E)

Elastic bi-metal saw blades allow you to saw protruding objects (e.g., water pipes, iron bars, etc.) nearby the wall.

1. Apply the saw blade directly to the wall and bend slightly so that the footplate rests against the wall. Pay attention that the saw blade always extends beyond the diameter of the material being worked.
2. Switch the machine on and saw off the workpiece keeping constant lateral pressure against the wall.

Optimum use

- Adjust saw blade and stroke rate to suit the material to be processed. For right radius curves it is best to use a narrow saw blade. Apply coolant or lubricant to deal with the fluttering produced along the cut line when sawing metal.
- Check wood, chip boards, building materials etc., for hard materials (nails, screws etc.), before sawing and remove them, if necessary.
- Clamp material well. Do not support the workpiece with hand or foot. Do not touch objects or the floor with the saw running (danger of backlash).
- Put the footplate on the surface of the workpiece, and saw through it with constant contact pressure or feed. If the saw blade seizes switch the machine off immediately. Spread the gap with a suitable tool and pull out the saw blade.
- After finishing work, switch off the machine and only put down after it has come to a complete standstill.

5. MAINTENANCE



Before cleaning and maintenance, always switch off the machine and remove the battery pack from the machine.

Clean the machine casings regularly with a soft cloth, preferably after each use. Make sure that the ventilation openings are free of dust and dirt. Remove very persistent dirt using a soft cloth moistened with soapsuds. Do not use any solvents such as gasoline, alcohol, ammonia, etc. Chemicals such as these will damage the synthetic components.

ENVIRONMENT



Faulty and/or discarded electrical or electronic apparatus have to be collected at the appropriate recycling locations.

Only for EC countries

Do not dispose of power tools into domestic waste. According to the European Guideline 2012/19/EC for Waste Electrical and Electronic Equipment and its implementation into national right, power tools that are no longer usable must be collected separately and disposed of in an environmentally friendly way.

WARRANTY

FERM products are developed to the highest quality standards and are guaranteed free of defects in both materials and workmanship for the period lawfully stipulated starting from the date of original purchase. Should the product develop any failure during this period due to defective material and/or workmanship then contact your FERM dealer directly.

The following circumstances are excluded from this guarantee:

- Repairs and or alterations have been made or attempted to the machine by unauthorized service centers.
- Normal wear and tear.

- The tool has been abused, misused or improperly maintained.
- Non-original spare parts have been used

This constitutes the sole warranty made by company either expressed or implied. There are no other warranties expressed or implied which extend beyond the face hereof, herein, including the implied warranties of merchantability and fitness for a particular purpose. In no event shall FERM be liable for any incidental or consequential damages. The dealers remedies shall be limited to repair or replacement of nonconforming units or parts.

The product and the user manual are subject to change. Specifications can be changed without further notice.

БЕЗПРОВОДНАЯ САБЕЛЬНАЯ ПИЛА RSM1022

Благодарим вас за приобретение данного изделия Ferm. Теперь есть великолепный инструмент от одного из ведущих европейских поставщиков. Все изделия, которые поставляют вам Ferm, изготовлены в соответствии с высочайшими стандартами в отношении производительности и безопасности. Кроме того, мы предлагаем превосходное обслуживание заказчиков, которое поддерживается нашей комплексной гарантией - это часть нашей философии. Мы надеемся, что вы будете получать удовольствие от работы с этим инструментом в течение многих лет.

1. ПРЕДУПРЕЖДЕНИЯ ПО БЕЗОПАСНОМУ ИСПОЛЬЗОВАНИЮ



Прочтите прилагаемые предупреждения по безопасному использованию, дополнительные предупреждения и инструкции. Несоблюдение предупреждений по безопасному использованию и инструкций может привести к поражению электрическим током, возгоранию и/или серьезной травме. **Сохраните предупреждения по безопасному использованию и инструкции для обращения к ним в будущем.**

В руководстве или на изделии присутствуют следующие значки:



Прочитайте руководство пользователя.



Указывает на риск повреждения инструмента, травм или смерти в случае несоблюдения инструкций, приведенных в данном руководстве пользователя.



Держите посторонних, особенно детей и домашних животных, на расстоянии более 10 метров.



Надевайте средства защиты зрения. Надевайте средства защиты органов слуха.



Надевайте пылезащитную маску.



Опасная зона! Держите руки подальше (10 см) от зоны резки во время работы машины. Опасность травмирования при контакте с пильным полотном.



Выбрасывайте изделие только в предназначенные для этого контейнеры.



Данное изделие соответствует применимым стандартам безопасности европейских директив.

ОБЩИЕ УКАЗАНИЯ ПО ТЕХНИКЕ БЕЗОПАСНОСТИ



ВНИМАНИЕ! **Внимательно прочтите все руководства по технике безопасности и инструкции.** Несоблюдение указаний и инструкций по технике безопасности может стать причиной поражения электрическим током, пожара и/или тяжелых травм.

Сохраните эту инструкцию.

Термин «электроинструмент» во всех правилах, перечисленных ниже, относится к работающим от сети (со шнуром питания) электроинструментам или действующим от аккумулятора (без шнура питания) электроинструментам.

1) Рабочее место

- a) Рабочее место должно быть чистым и хорошо освещённым. Загромождённые и недостаточно освещённые рабочие места способствуют травматизму.
- b) **Не используйте электроинструменты во взрывоопасных условиях, например, вблизи легковоспламеняющихся жидкостей, газов или частиц.** Во время работы электроинструмента возникают искры, которые могут вызвать воспламенение взрывоопасных частиц.

- c) **Во время работы с электроинструментом дети и посторонние должны находиться на безопасном расстоянии. Отвлекаясь, вы можете потерять контроль над управлением.**
- 2) **Электротехническая безопасность**
- a) **Вилка электроинструмента должна точно соответствовать штепсельной розетке. Никогда не вносите изменения в конструкцию вилки. Не используйте переходные устройства для вилки, которые заземляют (замыкают на землю) электроинструменты. Не модифицированные вилки и точно соответствующие им штепсельные розетки уменьшают вероятность поражения электрическим током.**
- b) **Не допускайте контакта частей тела с заземлёнными или замкнутыми на землю поверхностями, например, с поверхностью труб, радиаторов, кухонных плит, холодильников. Существует повышенная опасность поражения электрическим током, если Ваше тело заземлено или замкнуто на землю.**
- c) **Не оставляйте электроинструменты под дождём или во влажных условиях. Вода, попавшая на электроинструмент, повышает вероятность поражения электрическим током.**
- d) **Не нарушайте режим эксплуатации сетевого шнура. Никогда не переносите электроинструмент, держа его за шнур, не дёргайте, и не тяните за шнур, чтобы отключить вилку от розетки. Защищайте шнур от источников тепла, масел, предметов с острыми краями или движущимися частями. Повреждённые или спутанные шнуры питания повышают вероятность поражения электрическим током.**
- e) **Если электроинструмент используется вне помещений, применяйте только предназначенные для наружных работ удлинители. Применение шнуров питания, предназначенных для наружных работ, уменьшает вероятность поражения электрическим током.**
- f) **Если использование электроинструмента в условиях влажной окружающей среды неизбежно, необходимо использовать источник тока, защищенный устройством защитного отключения (УЗО)**
Применение УЗО снижает риск поражения электрическим током.
- 3) **Личная безопасность**
- a) **Будьте внимательны, контролируйте свои действия и руководствуйтесь здравым смыслом при работе с электроинструментом. Не работайте с электроинструментом, если вы устали или находитесь под влиянием наркотиков, алкоголя или медицинских препаратов. Потеря внимания при работе с электроинструментом может привести к тяжёлым телесным повреждениям.**
- b) **Используйте средства индивидуальной защиты. Всегда носите защитные очки. Использование средств индивидуальной защиты, таких как защитная маска, обувь на нескользящей подошве, защитный шлем или средство защиты органов слуха, - в зависимости от условий работы, снижает риск получения травм.**
- c) **Принимайте меры в целях избежания непреднамеренного запуска. Перед подключением электроинструмента к электропитанию и/или к аккумуляторной батарее, когда берете устройство или при его транспортировке убедитесь, что электроинструмент находится в выключенном состоянии. Ношение инструмента с пальцем на выключателе опасно, и может привести к несчастному случаю.**
- d) **Убирайте регулировочные инструменты и гаечные ключи перед включением электроинструмента. Гаечный ключ или регулировочный инструмент, оставленные в соединении с вращающимися деталями электроинструмента, могут привести к телесным повреждениям.**
- e) **Не наклоняйтесь чрезмерно. Работайте в безопасной позиции и всё время сохраняйте равновесие. Это обеспечит надлежащее управление электроинструментом при неожиданных ситуациях.**
- f) **Одевайтесь надлежащим образом. Не надевайте постороннюю одежду и**

- ювелирные изделия. Сделайте так, чтобы ваши волосы, одежда и перчатки находились на достаточном расстоянии от движущихся частей. *Просторная одежда, ювелирные изделия и длинные волосы могут быть захвачены движущимися частями.*
- g) **В случае если предусмотрено подключение пылеулавливающего устройства убедитесь, что оно подсоединено и надёжно работает.** *Использование такого рода устройств уменьшает вред от воздействия пыли.*
- h) **Всегда сохраняйте бдительность и соблюдайте правила техники безопасности при работе с электроинструментом.** *Момент невнимательности может привести к серьезным травмам.*
- 4) **Использование электроинструмента и уход за ним**
- a) **Не перегружайте электроинструмент. Используйте электроинструмент только по назначению.** *Применение электроинструмента по назначению делает работу более эффективной и безопасной.*
- b) **Не используйте электроинструмент, если переключатель не устанавливается в положение Вкл. и Выкл.** *Все электроинструменты с вышедшими из строя переключателями представляют потенциальную опасность и должны быть отремонтированы.*
- c) **Перед проведением любых работ по наладке, замене принадлежностей или перед уборкой электроинструментов на хранение следует отключать вилку от источника питания.** *Эти превентивные меры безопасности уменьшают риск непреднамеренного включения электроинструмента.*
- d) **Храните неиспользуемые электроинструменты в недоступном для детей месте, и не доверяйте использование электроинструмента лицам, которые не знакомы с данным электроинструментом и с инструкцией по его применению.** *В руках необученных лиц электроинструменты представляют опасность.*
- e) **Проводите обслуживание электроинструментов. Проверьте синхронность работ взаимодействия деталей, наличие повреждённых деталей и прочие условия, которые могут повлиять на работу электроинструмента.** *Отремонтируйте повреждённые электроинструменты перед использованием. Большое количество несчастных случаев вызвано плохим обслуживанием электроинструментов.*
- f) **Содержите режущий инструмент острым и чистым.** *Должным образом обслуживаемый режущий инструмент с острыми режущими частями в меньшей степени подвержен заклиниванию, им легче управлять.*
- g) **Используйте электроинструмент, принадлежности, вставные резцы и т.д., в соответствии с этой инструкцией и соответствующим образом для каждого вида электроинструментов, принимая во внимание условия работы и вид выполняемой работы.** *Использование электроинструмента не по назначению может привести к опасным ситуациям.*
- h) **Старайтесь, чтобы рукоятки и поверхности захватывания были чистыми, сухими и незагрязненными маслом или смазкой.** *Скользкие рукоятки и поверхности захватывания не позволяют обеспечить безопасность работы и управления инструментом в непредвиденных ситуациях.*
- 5) **Применение и уход за аккумуляторным инструментом**
- a) **Перезаряжайте только с помощью зарядного устройства, указанного изготовителем.** *Зарядное устройство, пригодное для одного типа аккумуляторных блоков, может быть пожароопасным при использовании с другим аккумуляторным блоком.*
- b) **Пользуйтесь механизированным инструментом только со специально указанными аккумуляторными блоками.** *Использование любых других аккумуляторных блоков может привести к травмам и пожару.*
- c) **Когда аккумуляторный блок не используется, держите его подальше от**

других металлических предметов, например канцелярских скрепок, монет, ключей, гвоздей, винтов и других маленьких металлических предметов, которые могут создать соединение между двумя клеммами. *Короткое замыкание клемм аккумулятора может привести к ожогам или пожару.*

- d) **В случае неправильного использования из аккумулятора может вылиться жидкость. Избегайте контакта с ней. Если контакт случайно произойдет, промойте это место водой. При попадании жидкости в глаза обратитесь за медицинской помощью. Жидкость, вылившаяся из аккумулятора, может вызвать раздражения и ожоги.**
- e) **Не используйте поврежденные или измененные аккумуляторные батареи или инструменты. Поврежденные или измененные аккумуляторные батареи могут работать непредсказуемо, что может привести к возгоранию, взрыву или риску получения травм.**
- f) **Не подвергайте аккумуляторные батареи или инструмент воздействию огня или повышенной температуры. Открытый огонь или воздействие высокой температуры выше 130 °C может привести к взрыву. ПРИМЕЧАНИЕ. Температура 130 °C может быть заменена на температуру 265 °F.**
- g) **Следуйте всем инструкциям по зарядке и не заряжайте аккумуляторную батарею или инструмент вне температурного диапазона, указанного в инструкции. Неправильная зарядка или зарядка вне указанного температурного диапазона может привести к повреждению аккумуляторной батареи и увеличить риск возгорания.**
- 6) **Обслуживание**
- a) **Обслуживание электроинструмента должно выполняться квалифицированным лицом с использованием только оригинальных запасных частей. Это обеспечит сохранение безопасного использования электроинструмента.**
- b) **Не выполняйте обслуживание поврежденных аккумуляторных батарей. Обслуживание аккумуляторных батарей**

должно выполняться только производителем или авторизованными поставщиками услуг.

МЕРЫ БЕЗОПАСНОСТИ ПРИ РАБОТЕ С САБЕЛЬНЫМИ ПИЛАМИ

- Держите электроинструмент за изолированные поверхности во время выполнения работ, при которых режущая насадка может задеть скрытую проводку или собственный шнур питания инструмента. При контакте режущей насадки с проводами, находящимися под напряжением, оно может передаться на неизолированные металлические части инструмента и привести к поражению оператора электрическим током.
- Держите руки подальше от зоны распиливания во время работы машины. Не лезьте под заготовку. Контакт с пыльным полотном может привести к травмам.
- Прикладывайте станок к заготовке только во включенном состоянии. В противном случае существует опасность отдачи при застревании режущего инструмента в заготовке.
- При пилении опорная плита всегда должна быть обращена к заготовке. Пильный диск может заклинить, что приведет к потере контроля над машиной.
- По окончании распилки выключите станок и вытащите пыльный диск из инструмента только после того, как он остановится. Таким образом можно избежать отдачи и безопасно опустить машину.
- Используйте только неповрежденные пыльные полотна в идеальном состоянии. Погнутые или затупившиеся полотна пилы могут сломаться, негативно повлиять на качество распилки и или вызвать отдачу.
- После выключения инструмента не пытайтесь остановить пыльный диск, прикладывая боковое давление. Пильный диск может повредиться, сломаться или вызвать отдачу.
- Используйте зажимы или другой практичный способ закрепить и удерживать заготовку на устойчивой платформе. Если держать заготовку рукой или прижимать ее к телу, она становится нестабильной и может привести к потере контроля.


- Используйте соответствующие способы, чтобы определить, скрыты ли линии инженерных коммуникаций в рабочей зоне, или обратитесь за помощью в местную коммунальную компанию. Контакт с электрическими линиями может привести к возгоранию и поражению электрическим током. Повреждение газопровода может привести к взрыву. Проникновение в водопровод вызывает материальный ущерб.
- При работе с инструментом всегда крепко держите его обеими руками, обеспечивая таким образом безопасную позицию. Управление электроинструментом обеими руками является более надежным.
- Зафиксируйте заготовку. Заготовка, зажата зажимными приспособлениями или в тисках, удерживается более надежно, чем вручную.
- Всегда ждите, пока машина полностью остановится, прежде чем опускать ее. Вставка инструмента может застрять и привести к потере управления электроинструментом.

2. СВЕДЕНИЯ ОБ ЭЛЕКТРОИНСТРУМЕНТЕ

Предполагаемое использование

Этот инструмент предназначен для пилиния дерева, пластика и металла, когда опорная плита плотно прилегает к заготовке. Подходит для прямой и криволинейной распилки. Также можно резать вплотную к поверхности заготовки. Всегда необходимо использовать подходящее пыльное полотно.

Технические спецификации

№ модели	RSM1022
Напряжение	20 В 
Скорость без нагрузки	0-3000/мин
Длина хода	23 мм
Макс.режущая способность по дереву	115 мм
Макс.режущая способность по металлу	10 мм
Вес	1,7 кг
Уровень звукового давления L_{PA}	83,4 дБ (A), K = 3 дБ (A)
Уровень звуковой мощности L_{WA}	94,4 дБ (A), K = 3 дБ (A)
Основная рукоятка $a_{h,w}$	10,847 м/с ² , K = 1,5 м/с ²
Дополнительная рукоятка $a_{h,w}$	9,852 м/с ² , K = 1,5 м/с ²

Используйте только следующие батареи аккумуляторной платформы FX-POWER 20V. Использование любых других батарей может привести к серьезным травмам или повреждению инструмента.

CDA1167 20В, 2 Ач литий-ионный

CDA1168 20В, 4 Ач литий-ионный

Для зарядки этих аккумуляторов можно использовать следующее зарядное устройство.

CDA1169 Адаптер зарядного устройства

CDA1170 Быстрое зарядное устройство

Батареи аккумуляторной платформы FX-POWER 20V взаимозаменяемы и подходят для всех инструментов аккумуляторной платформы FERM FX-POWER.

Уровень вибрации

Уровень вибрации, указанный в данном руководстве, был измерен в соответствии со стандартизированным испытанием, приведенным в EN62841; он может быть использован для сравнения одного инструмента с другим, а также для предварительной оценки воздействия вибрации при использовании данного инструмента для указанных целей.

- Применение инструмента для других целей, а также использование принадлежностей в плохом состоянии может значительно увеличить уровень вибрации.
- При выключении устройства, а также работе в холостом режиме уровень вибрации значительно уменьшается.

Для защиты от вибрации поддерживайте инструмент и принадлежности в хорошем состоянии, не давайте рукам мерзнуть и организуйте режим работы.

ОПИСАНИЕ

Цифры в тексте относятся к схемам на страницах 2 - 3.

- Кнопка блокировки
- Кнопка включения / выключения
- Рукоятка
- Батарея (не входит в комплект)
- Кнопка фиксации батареи

6. Дополнительная рукоятка
7. Опорная плита
8. Зажимной патрон
9. Зажимной рычаг

3. СБОРКА



Перед любыми работами с электроинструментом извлеките аккумулятор.



Перед использованием электроинструмента аккумуляторную батарею необходимо зарядить.

Установка аккумуляторной батареи на инструмент (рис. А, F)



Перед тем как установить аккумуляторную батарею на инструмент убедитесь в том, что она чистая и сухая.

1. Вставьте аккумулятор (4) в основание инструмента, как показано на изображении F.
2. Сдвиньте аккумулятор вперед до щелчка.

Снятие аккумуляторной батареи с инструмента (рис. А, F)

1. Нажмите кнопку фиксации аккумулятора (5).
2. Вытащите аккумулятор из электроинструмента, как показано на изображении F.

Замена пильного диска (рис. А, С)



При установке пильного диска надевайте защитные перчатки. Опасность травмы при прикосновении к пильному диску.



Используйте только те пильные полотна, которые соответствуют характеристикам, указанным в инструкции по эксплуатации.

Установка пильного полотна



Убедитесь, что в держателе лезвия нет мусора (например, деревянных или металлических осколков).

1. Поверните зажимной рычаг (9) как можно дальше влево и удерживайте его в этом положении.
2. Вставьте пильный диск в патрон (8). Убедитесь, что пильный диск надежно закреплен и зубья направлены вниз.
3. Отпустите зажимной рычаг. Убедитесь, что пильный диск зафиксирован на месте.

Убедитесь, что вы используете подходящее пильное полотно для соответствующего материала. В комплект с электроинструментом входит пильный диск для грубой обработки дерева и тонкий диск для резки металла и пластика.

Снятие пильного полотна

1. Поверните зажимной рычаг (9) как можно дальше влево и удерживайте его в этом положении.
2. Снимите пильный диск с патрона (8).
3. Отпустите зажимной рычаг.

4. ЭКСПЛУАТАЦИЯ

Включение и выключение инструмента (рис. А, В)

Выключатель (2) используется для включения инструмента и регулировки скорости.

- Чтобы включить инструмент, нажмите и удерживайте кнопку блокировки (1), а затем нажмите выключатель (2).
- Чем сильнее зажата кнопка включения / выключения (2), тем быстрее будет двигаться лезвие. Требуемая скорость зависит от материала и может быть определена на практике.
- Чтобы остановить машину, отпустите выключатель (2).

Погружная резка (Рис. D)

Погружная резка может выполняться только для таких мягких материалов, как дерево, пористый бетон, гипсолитовые плиты и т.д. • Тем не менее, этот метод требует некоторого опыта и для него можно использовать только короткие лезвия.

1. Поместите пилу на заготовку и включите ее.
2. Убедитесь в том, что нижний край опорной пластины лежит на поверхности заготовки, как показано на рисунке.

3. Медленно распилите заготовку под углом, перемещая пилу в вертикальное положение и продолжая распиливать вдоль линии отреза.
4. Выключите пилу и поднимите заготовку по окончании работы.

Распиливание вплотную

Эластичные биметаллические режущие лезвия позволяют распиливать выступающие из стены предметы - водопроводные трубы, железные балки и т.д.

1. Приложите режущее полотно непосредственно к стене и слегка согните, чтобы опорная пластина прижималась к стене. Следите, что полотно пилы всегда выходит за пределы диаметра обрабатываемого материала.
2. Включите инструмент и отрежьте заготовку, постоянно прижимая ее к стене.

Оптимальное использование

- Отрегулируйте режущее лезвие и скорость работы в соответствии с материалом. Для выпиливания изогнутых линий с малым радиусом следует использовать узкое режущее лезвие. В случае возникновения вибрации при распиливании материала, нанесите на лезвие охлаждающее вещество или смазку.
- Перед распиливанием проверьте древесину, ДСП и другие материалы на наличие инородных элементов (гвозди, винты и т.д.) и удалите их, при необходимости.
- Надежно закрепите материал. Не придерживайте заготовку руками или ногами. Не касайтесь предметов или пола в процессе работы (это может привести к обратной отдаче).
- Поместите опорную пластину на поверхность заготовки и распиливайте ее с постоянным усилием. В случае заклинивания режущего полотна, немедленно выключите инструмент. Чтобы вытащить застрявшее лезвие, расширьте зазор с помощью подходящего инструмента.
- По окончании работы выключите инструмент и положите его только после полной остановки.

5. ОБСЛУЖИВАНИЕ



Перед очисткой и обслуживанием всегда отключайте электроинструмент и извлекайте аккумуляторную батарею.

Регулярно очищайте корпус электроинструмента мягкой тряпкой, желательно, после каждого использования. Убедитесь, что вентиляционные отверстия чисты от пыли и грязи. Для удаления особо сильных загрязнений используйте мягкую тряпку с мыльной пеной. Не используйте растворители, такие как бензин, спирт, аммиак и т. д. Химические вещества повредят синтетические компоненты.

ОКРУЖАЮЩАЯ СРЕДА



Неисправные электрические и электронные изделия необходимо сдавать в соответствующие пункты утилизации.

Только для стран ЕС

Не выбрасывайте электроинструменты в обычные мусорные корзины. В соответствии с Европейской директивой 2012/19/ЕС об утилизации отработанного электрического и электронного оборудования и ее реализации в государственном законодательстве электроинструменты, которые больше не могут использоваться по назначению необходимо подвергать утилизации дружественным по отношению к окружающей среде способом.

ГАРАНТИЯ

Продукция FERM разработана в соответствии с высочайшими стандартами качества и гарантирует отсутствие дефектов как в материалах, так и в производстве на период, зафиксированный законом с даты первоначальной покупки. Если в рамках данного периода времени обнаружится неисправность, связанная с дефектным материалом и/или дефектом сборки, незамедлительно свяжитесь с дилером компании FERM.

Гарантийные обязательства аннулируются в следующих случаях:

- Были выполнены или были предприняты попытки ремонтных работ или модификаций несанкционированными сервисными центрами.
- Стандартный износ.
- С инструментом небрежно обращались, использовали не по назначению или не проводили корректное техобслуживание.
- Использовали неоригинальные запасные части.

Это единственная гарантия компании как в прямом, так и в косвенном выражении. Другие гарантии отсутствуют как в прямом, так и в косвенном выражении за пределами лицевого стороны настоящего документа, в том числе косвенные гарантии коммерческой ценности и пригодности для определенной цели. Компания FERM не несет ответственности за любые случайные или косвенные убытки. Действия дилера ограничены ремонтом или заменой несоответствующих единиц и частей.

В издании и руководство пользователя могут быть внесены изменения. Спецификации могут быть изменены без предварительного оповещения.

TILKI KUYRUĞU RSM1022

Bu Ferm ürününü satın aldığınız için teşekkür ederiz. Bu sayede artık Avrupa'nın önde gelen sağlayıcılarından biri tarafından teslim edilen, mükemmel bir ürüne sahipsiniz. Ferm tarafından size teslim edilen bütün ürünler en yüksek performans ve güvenlik standartlarına göre üretilmiştir. Felsefemizin bir parçası olarak ayrıca kapsamlı garantimiz tarafından desteklenen mükemmel bir müşteri hizmeti sağlıyoruz. Umarız bu ürünü gelecek yıllar boyunca kullanmaktan zevk alırsınız.

1. GÜVENLİK TALİMATLARI



Ekteki güvenlik uyarılarını, ilave güvenlik uyarılarını ve talimatları okuyun. Güvenlik uyarılarını ve talimatları izlememek elektrik çarpması, yangın ve/veya ciddi yaralanma ile sonuçlanabilir. **Güvenlik uyarılarını ve talimatları ilerde bakmak üzere muhafaza edin.**

Aşağıdaki semboller kullanıcı kılavuzunda veya ürün üzerinde kullanılmaktadır:



Kullanıcı kılavuzunu okuyun.



Bu kılavuzdaki talimatlara uymama durumunda bedensel yaralanma, can kaybı veya alete hasat riskini belirtir.



Başta çocuklar ve evcil hayvanlar olmak üzere etrafta bulunanları yaklaşık 10 m'den daha uzak mesafede tutun.



Koruyucu gözlük takın. Duyma koruması takın.



Bir toz maskesi takın.



Tehlike Bölgesi! Makine çalışırken elinizi kesme alanından uzak tutun (10 cm). Testere bıçağına temas ettiğinizde yaralanma tehlikesi mevcuttur.



Ürünü uygun olmayan kaplara atmayın.



Ürün, Avrupa yönergelerindeki geçerli güvenlik standartlarına uygundur.

GENEL ELEKTRIKLİ ALET GÜVENLİK UYARILARI



UYARI Tüm güvenlik uyarılarını ve tüm talimatları okuyun. Uyarılara uyulmadı ve talimatlar elektrik çarpmasına, yangına ve/veya ciddi yaralanmalara neden olabilir.

Tüm uyarıları ve talimatları gelecekte başvurmak üzere saklayın.

Uyarılardaki "elektrikli alet" terimi, şebeke elektriği ile çalışan (kablolu) elektrikli alet veya pil ile çalışan (kablolu) elektrikli alet anlamına gelir.

1) İş aşanı güvenliği

- İş alanını temiz ve aydınlık tutun.** Dağınık veya karanlık bölgeler, kazalara davetiye çıkarır.
- Elektrikli aletleri, yanıcı sıvıların, gazların veya tozun var olduğu patlayıcı atmosferlerde kullanmayın.** Elektrikli aletler, tozu veya dumanları ateşleyebilecek kıvılcıklar oluşturur.
- Bir elektrikli alet kullanırken, çocukları ve çevredekileri uzak tutun.** Dikkatinizi dağılırsa kontrolü kaybedebilirsiniz.

2) Elektrik güvenliği

- Elektrikli alet fişleri, prize uygun olmalıdır.** Fişi, hiçbir şekilde modifiye etmeyin. Topraklı elektrikli aletlerle, herhangi bir fiş adaptörü kullanmayın. Modifiye edilmemiş fişler ve buna uygun prizler, elektrik çarpması riskini azaltır.
- Borular, radyatörler, ocaklar ve buzdolapları gibi topraklı yüzeylerle temastan kaçının.** Eğer vücudunuz topraklanmışsa, elektrik çarpması riski daha fazla olur.
- Elektrikli aletleri yağmura veya ıslaklığa maruz bırakmayın.** Bir elektrikli alete su girmesi durumunda, elektrik çarpması riski artacaktır.
- Kabloya kötü davranmayın.** Kabloyu taşıma amacıyla, elektrikli aleti ya da elektrikli aletin fişini çekmek için kullanmayın. Kabloyu ısıdan, yağdan, keskin kenarlardan ya da hareketli parçalardan uzak tutun. Hasar görmüş ya da dolaşmış kablolar, elektrik çarpması riskini artırır.
- Bir elektrikli aleti dış mekanlarda kullanırken, dış mekan kullanımına uygun bir uzatma**

kablosu kullanın. Dış mekan kullanımına uygun ir kablo kullanıldığında, elektrik çarpması riski azalır.

- Elektrikli aleti nemi bir konumda çalıştırmak kaçınılmazsa, kaçak akım cihazı (RCD) korumalı bir kaynak kullanın.** RCD kullanımı elektrik çarpması riskini azaltır.
- ### 3) Kişisel güvenlik
- Elektrikli aleti kullanırken tetikte kalın, ne yaptığınıza dikkat edin ve sağduyulu davranın.** Bir elektrikli aleti yorgun olduğunuzda ya da uyuşturucu, alkol veya ilaç etkisindeyken kullanmayın. Elektrikli aleti kullanırken bir anlık dikkatsizlik ciddi kişisel yaralanmalara neden olabilir.
 - Kişisel koruyucu donanım kullanın. Her zaman göz koruması takın.** Uygun durumlar için kullanılan toz maskesi, kaymaz güvenlik ayakkabıları, baret veya kulak tıkaçı gibi koruyucu donanımlar, kişisel yaralanma riskini azaltacaktır.
 - Kasıtsız çalışmayı önleyin. Bir elektrik kaynağını ve/veya pil takımını bağlamadan, aleti kaldırmadan ya da taşımadan önce elektrikli aletin anahtarının kapalı durumda olduğundan emin olun.** Elektrikli aletleri parmağınız anahtar üzerindeyken taşımak veya anahtarı açık elektrikli aletleri harekete geçirmek kazalara davetiye çıkarır.
 - Elektrikli aleti açık duruma getirmeden önce her türlü ayar anahtarını çıkarın.** Elektrikli aletin dönen bir parçasında kalan bir anahtar, kişisel yaralanmalara neden olabilir.
 - Fazla uzanmayın. Ayaklarınızı sağlam basın ve her zaman dengeli olun.** Böylece beklenmeyen durumlarda elektrikli aleti daha iyi kontrol edebilirsiniz.
 - Uygun kıyafetler giyin. Bol kıyafetler giymeyin, takılar takmayın. Saçınızı, kıyafetlerinizi ve eldivenlerinizi, hareketli parçalardan uzak tutun. Bol kıyafetler, takılar veya uzun saç, hareketli parçalara takılabilir.**
 - Eğer cihazlar toz giderme ve toplama tesislerinin bağlantısı için sağlanmışsa, bunların bağlandığından ve düzgün bir şekilde kullanıldığından emin olun. Toz toplama ile tozla ilgili tehlikeleri azaltılabilir.**
 - Aletlerin sık kullanılmasından edindiğiniz bilgi birikiminin sizi aşırı rehavete sürüklemesine izin vermeyin ve araç güvenliği ilkelerini**

göz ardı etmeyin. *Dikkatsiz bir hareket, bir saniyeden bile kısa sürede ciddi yaralanmalara neden olabilir.*

4) Elektrikli alet kullanımı ve bakımı

- a) **Elektrikli aleti zorlamayın. Uygulamanız için doğru elektrikli aleti kullanın.** *Doğru elektrikli alet, tasarımı amacına uygun olarak işi daha iyi yapacaktır.*
- b) **Eğer anahtarlar açılıp kapatılmıyorsa, elektrikli aleti kullanmayın.** *Anahtarla kumanda edilemeyen elektrikli aletler tehlikelidir ve tamir edilmelidir.*
- c) **Herhangi bir ayar, aksesuar değişimi ya da depolama işleminden önce elektrikli aletin fişini elektrik kaynağından çıkarın ve/veya pil takımını elektrikli aletten çıkarın.** *Bu tür önleyici güvenlik önlemleri, elektrikli aletin kazara çalışma riskini azaltır.*
- d) **Boş durumdaki elektrikli aletleri çocukların erişemeyeceği bir yerde muhafaza edin ve elektrikli aletin nasıl çalıştığını ya da bu talimatları bilmeyen kişilerin elektrikli aleti kullanmasına izin vermeyin.** *Elektrikli aletler, eğitimsiz kullanıcıların elinde tehlikeli olur.*
- e) **Elektrikli aletlerin bakımını yapın. Hatalı ayarlar veya hareketli parçaların bağlanması, parça kırılmaları ve elektrikli aletin çalışmasını etkileyebilecek diğer durumlar için kontrol gerçekleştirin.** *Eğer herhangi bir hasar varsa, elektrikli alet kullanılmadan önce tamir edilmelidir. Çoğu kazaya bakımı iyi yapılmayan elektrikli aletler neden olur.*
- f) **Kesme aletlerini keskin ve temiz tutun.** *Bakımı iyi yapılan ve keskin kenarlara sahip kesme aletlerinde donmalar daha az yaşanır ve kontrol edilmeleri daha kolay olur.*
- g) **Elektrikli aleti, aksesuarlarını ve torna kalemlerini bu talimatlara uygun olarak kullanın, çalışma koşullarını ve gerçekleştirilecek olan işi dikkate alın.** *Elektrikli aletin kullanım amacı dışında kullanılması, tehlikeli durumlarla sonuçlanabilir.*
- h) **Tutamakları ve tutma yerlerini kuru, temiz ve yağdan arındırılmış şekilde muhafaza edin.** *Kaygan tutamaklar ve tutma yerleri, beklenmedik durumlarda aletin güvenli şekilde taşınmasına ve kontrol edilmesine izin vermez.*

5) Pili alet kullanımı ve bakımı

- a) **Yalnızca üretici tarafından belirtilen şarj aletiyle şarj edin.** *Bir türde pil takımı için uygun bir şarj cihazı, başka bir pil takımı ile kullanıldığında yangın riski oluşturabilir.*
- b) **Elektrikli aletleri yalnızca özel olarak belirlenmiş pil takımlarıyla kullanın.** *Başka pil takımlarının kullanımı yaralanma ve yangın riski oluşturabilir.*
- c) **Pil takımını kullanılmadığı zamanda, ataşlar, bozuk paralar, anahtarlar, çiviler, vidalar veya diğer küçük metal nesnelere gibi bir uçtan diğerine bir bağlantı yapabilecek diğer metal nesnelere uzak tutun.** *Pil uçlarını birbirine kısa devre yaptırmak yanıklara veya yangına neden olabilir.*
- d) **Bozulma durumlarında pilden sıvı çıkabilir; temastan kaçının.** *Kazara temas gerçekleşirse, suyla yıkayın. Sıvı gözlerle temas ederse ayrıca tıbbi yardım isteyin. Pilden çıkan sıvı tahrişe veya yanıklara neden olabilir.*
- e) **Hasarlı veya üzerinde değişiklik yapılmış bir batarya veya aleti kullanmayın.** *Hasarlı veya üzerinde değişiklik yapılmış bataryalar, yangın, patlama ya da yaralanma riskiyle sonuçlanan beklenmedik davranışlar sergileyebilir.*
- f) **Batarya veya aleti ateşe veya aşırı sıcaklığa maruz bırakmayın.** *Ateşe veya 130 °C üzeri sıcaklıklara maruz kalması patlamaya yol açabilir. NOT Sıcaklık birimi olarak kullanılan „130 °C“ yerine „265 °F“ kullanılabilir.*
- g) **Tüm şarj talimatlarına uyun ve batarya veya aleti talimatlarda belirtilen sıcaklık aralığının dışındaki ortamlarda şarj etmeyin.** *Yanlış şekilde veya belirtilen aralığın dışındaki sıcaklıklarda şarj etmek bataryaya zarar verebilir ve yangın riskini artırabilir.*

6) Servis

- a) **Elektrikli aletinizin servis işlemlerini, yalnızca aynı yedek parçaları kullanan vasıflı bir tamircinin yapmasını sağlayın.** *Bu, elektrikli aletin güvenliğinin korunmasını sağlayacaktır.*
- b) **Hasarlı bataryalara asla kendiniz bakım yapmaya çalışmayın.** *Bataryadaki bakım işlemleri sadece üretici veya yetkili servisler tarafından yapılmalıdır.*

TİLKİ KUYRUĞU TESTERELER İÇİN GÜVENLİK UYARILARI

- Bir işlem sırasında kesme aleti gizli kablolarla temas edebileceği için kesim aksesuarını yalıtımlı tutma yüzeylerinden tutun. Kesici aletin, "elektrik akımı" bulunan kablolarla temas halinde "akım", elektrikli aletin iletken metal parçaları üzerinden operatöre iletilerek elektrik çarpmasına yol açabilir.
- Ellerinizi kesim alanından uzak tutun. Üzerinde çalıştığınız parçaya altından ulaşmayı denemeyin. Testere bıçağı ile temas yaralanmalara neden olabilir.
- Makineyi ancak çalıştırdıktan sonra iş parçasına doğru iletin. Aksi halde, kesici alet iş parçasında sıkıştığında geri tepme tehlikesi vardır.
- Testereyle kesim yaparken, taban plakası her zaman iş parçasına bakmalıdır. Testere bıçağı sıkışabilir ve makinede kontrol kaybına yol açabilir.
- Kesim tamamlandığında, makineyi kapatın ve ardından testere bıçağını kesilen yerden ancak durduktan sonra çekin. Bu şekilde geri tepmeyi önleyebilir ve makineyi güvenli bir şekilde yerleştirebilirsiniz.
- Sadece hasar görmemiş, mükemmel durumda olan testere bıçaklarını kullanın. Kıvrılmış veya körelmiş testere bıçakları kırılabilir, kesimi olumsuz etkileyebilir veya geri tepmeye neden olabilir.
- Kapattıktan sonra yandan baskı uygulayarak testere bıçağını durdurmayın. Testere bıçağı zarar görebilir, kırılabilir veya geri tepmeye neden olabilir.
- İş parçasını sabit bir platforma sabitlemek ve desteklemek için mengene veya benzer pratik yöntemler kullanın. İş parçasını elinizle tutmak veya vücudunuza yaslamak iş parçasını stabil hale getirmez ve kontrol kaybına neden olabilir.
- Çalışma alanında gizli tesisat hattı olup olmadığını belirlemek için uygun detektörler kullanın veya yardım için yerel kamu hizmet şirketini arayın. Elektrik hatları ile temas yangına ve elektrik çarpmasına neden olabilir. Bir doğalgaz hattının hasar görmesi patlamaya neden olabilir. Su hattını delmek maddi hasara neden olur.
- Makine ile çalışırken aleti daima iki elinizle sıkıca tutun ve sağlam bir duruş sağlayın. Elektrikli alet iki elinizle daha güvenli yönlendirilir.


- İş parçasını sabitleyin. Kelepçeleme aletleriyle veya bir mengene ile sıkıştırılmış bir iş parçası, elle olduğundan daha güvenli tutulur.
- Makineyi yere koymadan önce tamamen durmasını bekleyin. Alet ek parçası sıkışabilir ve elektrikli alet üzerinde kontrol kaybına yol açabilir.

2. MAKİNE BİLGİSİ

Kullanım amacı

Makine, taban levhasını iş parçası üzerine sıkıca tutmak koşuluyla ahşap, plastik ve metal kesmek için tasarlanmıştır. Düz ve kıvrımlı kesimler için uygundur. İş parçası yüzeyiyle aynı hızda kesmek de mümkündür. Her zaman uygun bir testere bıçağı kullanılmalıdır.

Teknik spesifikasyonlar

Model No.	RSM1022
Şebeke voltajı	20 V 
Yüksüz devir	0-3000/dak
Yüksüz devir	23mm
Maks. testere kapasitesi ahşap	115mm
Maks. testere kapasitesi çelik	10mm
Ağırlık	1,7 kg
Ses basınç seviyesi LPA	83,4 dB(A), K=3dB(A)
Ses gücü seviyesi LWA	94,4 dB(A), K=3dB(A)
Vibrasyon Kontrol plak gördüm	10,847 m/s ² K=1,5 m/s ²
Vibrasyon Ahşap giriş testere	9,852 m/s ² K=1,5 m/s ²

Sadece aşağıdaki FX-POWER 20V batarya platformuna ait bataryaları kullanın. Başka batarya kullanmak, ciddi yaralanmalara neden olabilir veya alete zarar verebilir.

CDA1167	20V, 2Ah Lityum-İyon
CDA1168	20V, 4Ah Lityum-İyon

Bu bataryaları şarj etmek için aşağıdaki şarj aleti kullanılabilir.

CDA1169	Şarj aleti adaptörü
CDA1170	Hızlı şarj aleti

FX-POWER 20V batarya platformuna ait bataryalar, tüm FX-POWER 20V batarya platformu aletleriyle karşılıklı değiştirilebilir.

Vibrasyon seviyesi

Bu talimat kılavuzunda belirtilen vibrasyon emisyon seviyesi EN62841 içinde verilen bir standart teste uygun olarak ölçülmüştür; bir alet

başka bir aletle karşılaştırmak için ve aleti adı geçen uygulamalar için kullanırken bir ilk maruz kalma değerlendirmesi olarak kullanılabilir.

- aleti farklı uygulamalar için veya farklı ya da kötü bakılan aksesuarlarla kullanmak maruz kalma seviyesini büyük ölçüde artırabilir;
- aletin kapalı olduğu veya çalışıp da gerçekten işi yapmadığı zamanlar maruz kalma seviyesini büyük ölçüde azaltabilir.

Aletin ve aksesuarların bakımını yaparak, ellerinizi sıcak tutarak ve çalışma düzenlerinizi organize ederek vibrasyonun etkilerine karşı kendinizi koruyun

AÇIKLAMA

Metindeki numaralar sayfa 2 - 3'teki şemaları işaret etmektedir.

1. Kilitleme düğmesi
2. Açma/Kapama düğmesi
3. Tutamak
4. Pil (ürüne dahil değildir)
5. Pil kilidini açma düğmesi
6. İlave kol
7. Taban plakası
8. Matkap kovani
9. Kelepçeleme kolu

3. MONTAJ



Elektrikli alet üzerinde herhangi bir çalışma yapmadan önce, bataryayı çıkarın.



İlk kullanımdan önce batarya şarj edilmelidir.

Bataryanın makineye takılması (Şekil A, F)



Şarj aletine veya makineye takmadan önce bataryanın dış kısmının temiz ve kuru olmasını sağlayın.

1. Bataryayı (4) Şekil F'de gösterildiği gibi makinenin tabanına takın.
2. Yerine oturana kadar bataryayı daha ileriye itin.

Bataryanın makineden çıkartılması (Şekil A, F)

1. Batarya kilit açma düğmesine (5) basın
2. Bataryayı, Şekil F'de gösterildiği gibi makineden çıkarın.

Testere bıçağının değiştirilmesi (Şekil A, C)



Testere bıçağını monte ederken koruyucu eldiven kullanın. Testere bıçağına dokunulduğunda yaralanma tehlikesi.



Sadece kullanım talimatlarında verilen karakteristik verilere karşılık gelen testere bıçaklarını kullanın.

Testere bıçağının takılması



Bıçak tutucusunda malzeme artıkları (tahta kıymıkları veya metal gibi) bulunmadığından emin olun.

1. Kelepçeleme kolunu (9) mümkün olduğunca sola çevirin ve bu konumda tutun.
2. Testere bıçağını kovana (8) yerleştirin. Testere bıçağının sağlam bir şekilde sabitlendiğinden ve dişlerin aşağıya dönük olduğundan emin olun.
3. Kelepçeleme kolunu bırakın. Testere bıçağının yerine kilitleyip kilitlemediğini kontrol edin.

İlgili malzeme için doğru testere bıçağını kullandığınızdan emin olun. Makine ile birlikte ahşap için kalın dişli bir testere bıçağı ve metal ve plastik için ince dişli bir testere bıçağı verilir.

Testere bıçağının çıkartılması

1. Kelepçeleme kolunu (9) mümkün olduğunca sola çevirin ve bu konumda tutun.
2. Testere bıçağını kovandan (8) çıkartın.
3. Kelepçeleme kolunu bırakın.

4. ÇALIŞTIRMA

Makinenin açılması/kapatılması (Şekil A, B)

Açma/kapama düğmesi (2) makineyi çalıştırmak ve hızı ayarlamak için kullanılır.

- Makineyi çalıştırmak için, kilitleme düğmesine (1) basılı tutun ve açma/kapama düğmesine (2) basın.
- Açma/kapama düğmesine (2) ne kadar çok basılırsa, bıçak o kadar hızlı hareket eder. Gerekli hız, malzemeye bağlıdır ve pratik testlerle belirlenebilir.
- Makineyi durdurmak için açma/kapama düğmesini (2) bırakın.

Daldırma kesimi (Şekil D)

Daldırma kesimi sadece ahşap, gözenekli beton, alçı levha ürünleri gibi yumuşak materyallerle kullanılabilir. Bununla birlikte bu kesim için belirli bir pratik gerekir ve sadece kısa testere bıçaklarıyla mümkündür.

1. Testere tabanını iş parçası üzerine koyun ve aleti çalıştırın.
2. Ayaklığın alt kenarının şekilde gösterildiği gibi iş parçasına yaslandığından emin olun.
3. Testereyi dikey bir konuma hareket ettirerek iş parçasını yavaşça kesin ve kesim çizgisi boyunca kesme işlemine devam edin.
4. İş tamamlandığında testereyi kapatın ve iş parçasını kaldırın.

Kenar kesimi (Fig. E)

Elastik bi-metal testere bıçakları duvar yakınında çıkıntı yapan nesneleri (örn. su boruları, demir çubuklar vb.) kesmenizi sağlar.

1. Testere bıçağını doğrudan duvara uygulayın ve ayaklık duvara dayanacak şekilde hafifçe eğin.
2. Makineyi çalıştırın ve iş parçasını duvara karşı sabit bir yatay basıncı koruyarak kesin.

Kesim önerileri

- Testere bıçağını ve vuruş hızını işlenecek malzemeye uygun şekilde ayarlayın. Sağa doğru kıvrımlar için dar bir testere bıçağının kullanılması daha iyidir. Metal kesimi sırasında kesim hattında oluşan titremeye başa çıkmak için soğutucu veya yağlayıcı kullanın.
- Kesmeden önce ahşap, sunta, inşaat malzemelerini vb. yabancı maddeler (tırnak, vida vb.) açısından kontrol edin ve gerekirse bunları kaldırın.
- Malzemeyi kelepçeyle iyi tutturun. İş parçasını el veya ayakla desteklemeyin. Testere çalışırken diğer nesneler veya zemine temas etmeyin (geri tepme riski).
- Ayaklığı iş parçasının üzerine koyun ve sabit temas basıncı veya besleme yoluyla kesim işlemini yapın. Testere bıçağı takılırsa makineyi hemen durdurun. Boşluğu uygun bir aletle geçin ve testere bıçağını çekip çıkartın.
- İş sona erdikten sonra makineyi durdurun ve ancak tamamen durduktan sonra yere indirin.

5. BAKIM



Arızalı ve/veya atılmış elektrikli veya elektronik ekipmanların uygun geri dönüşüm konumlarında toplanması gerekir.

Makine kaplamalarını yumuşak bir bezle, tercihen her kullanımdan sonra düzenli olarak temizleyin. Havalandırma deliklerinin toz ve kirden arınmış olduğundan emin olun. Çok inatçı kirleri sabun köpüğüyle ıslatılmış yumuşak bir bezle çıkarın. Benzin, alkol, amonyak vs. gibi çözücü maddeleri kullanmayın. Bunlar gibi kimyasallar sentetik bileşenlere zarar verecektir.

ÇEVRE



Arızalı ve/veya atılmış elektrikli veya elektronik ekipmanların uygun geri dönüşüm konumlarında toplanması gerekir.

Yalnızca AT ülkeleri için

Elektrikli aletleri evsel atık olarak atmayın. Atık Elektrikli ve Elektronik Donanım için Avrupa İlkeleri 2012/19/EU'ya ve bunun yerel hukuk çerçevesinde uygulamasına göre, artık kullanılmayan elektrikli aletler ayrı olarak toplanmalı ve çevre dostu bir yolla imha edilmelidir.

GARANTİ

FERM ürünleri yüksek kalite standartları doğrultusunda geliştirilmiştir ve ilk satın alımdan itibaren kanunen belirlenen süre boyunca materyal ve işçilik açısından kusursuz olacağı garanti edilmektedir. Bu süre zarfında, kusurlu materyal ve/veya işçilikten dolayı üründe herhangi bir arıza meydana gelmesi durumunda, doğrudan FERM satıcınıza iletişim kurun.

Takip eden durumlar bu garanti kapsamı dışındadır:

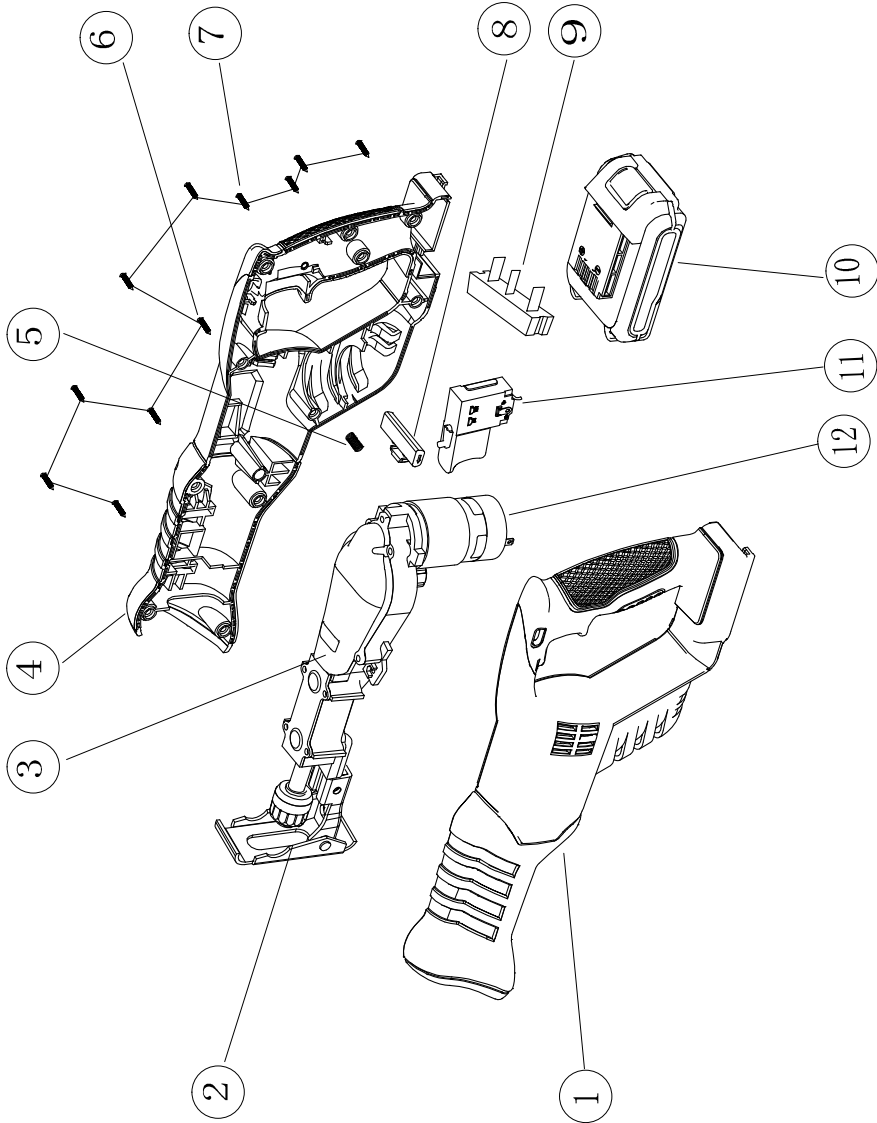
- Yetkisiz servis merkezleri tarafından yapılan veya yapılmaya teşebbüs edilen onarım ve/veya değişiklikler.
- Normal aşınma ve eskime.

- Cihazın kötü ve yanlış kullanılması veya cihaza yanlış bakım yapılması.
- Orijinal olmayan yedek parçaların kullanılması.

Bu, şirket tarafından açık ya da zımni verilmiş tek garantiyi oluşturur. Belirli bir amaç için ticarete elverişlilik ve uygunluğun zımni garantileri dahil dış görünüşünün ötesine uzanan açık veya zımni başka hiçbir garanti yoktur. FERM herhangi bir arızı veya dolaylı zarardan hiçbir halükarda sorumlu olmayacaktır. Bayilerin getireceği çözümler uygunsuz birimlerin veya parçaların onarımı veya değiştirilmesiyle sınırlı olacaktır.

Ürün ve kullanıcı kılavuzu değişikliğe tabidir.
Spesifikasyonlar başka bir uyarı olmaksızın değiştirilebilir.

Exploded view





DECLARATION OF CONFORMITY RSM1022 - RECIPROCATING SAW

- (EN) We declare under our sole responsibility that this product is in conformity with directive 2011/65/EU of the European parliament and of the council of 8 June on the restriction of the use of certain hazardous substances in electrical and electronic equipment is in conformity and accordance with the following standards and regulations:
- (RU) Под свою ответственность заявляем, что данное изделие соответствует следующим стандартам и нормам, соответствует требованиям Директивы 2011/65/EU Европейского парламента и совета от 8 июня 2011 г. по ограничению использования определенных опасных веществ в электрическом и электронном оборудовании.
- (TR) Tek sorumlusu biz olmak üzere bu ürünün Avrupa Parlamentosunun 2011/65/EU ve 8 Haziran 2011 tarihli konseyin elektrikli ve elektronik ekipmanlarda belirlenmiş tehlikeli malzeme kullanımının kısıtlanması hakkındaki talimatları ile birlikte aşağıda belirtilen standart ve yönergelere uygun ve uyumlu olduğunu beyan ederiz:

**2011/65/EU, 2014/30/EU, 2006/42/EC, EN62841-1, EN62841-2-11,
EN 55014-1, EN 55014-2, 2012/19/EC**

Zwolle, 01-07-2021

H.G.F Rosberg
CEO FERM

FERM - Lingenstraat 6 - 8028 PM - Zwolle - The Netherlands

