



FVC 2011-EK

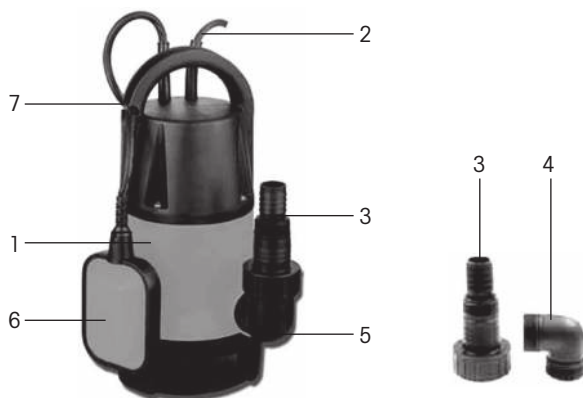


FVC 2013-EK

FVC 2011-EK
FVC 2013-EK

English.....	1 – 9
Čeština	10 – 17
Slovenčina	18 – 25
Magyarul.....	26 – 33
Polski	34 – 41
Русский	42 – 49
Lietuvių.....	50 – 57

1



Submersible Pump

USER'S MANUAL

Thank you for purchasing this submersible pump. Before you start using it, please, carefully read this user's manual and save it for possible future use.

CONTENTS

ILLUSTRATED ATTACHMENT.....	1
1. GENERAL SAFETY INSTRUCTIONS.....	3
Important safety notices	
Packaging	
User's manual	
2. MACHINE DESCRIPTION AND INCLUDED CONTENTS	3
3. PUTTING INTO OPERATION.....	4
4. OPERATING INSTRUCTIONS.....	5
Purpose of use	
Instructions for use	
Electrical safety	
5. MAINTENANCE AND STORAGE	6
6. TECHNICAL SPECIFICATIONS.....	7
7. WHAT TO DO "WHEN..."	7
8. DISPOSAL	8

1. GENERAL SAFETY REGULATIONS

Important safety notices

- ✿ Carefully unpack the product and take care not to throw away any part of the packaging before you find all the parts of the product.
- ✿ Read all warnings and instructions. Not following warnings or instructions may lead to injury by electrical shock, a fire and/or serious injuries.

⚠ ATTENTION: Protect yourself against electrical shock!

Packaging

The device is located in a package that prevents damage during transport. This package is a resource and so can be handed over for recycling.

Operating instructions

Before you start working with the submersible pump, read the following safety instructions and user's manual. Learn about all parts and the correct use of the device. Keep the user's manual in a safe place where it can be easily retrieved for future use. If you hand over the device to somebody else, do so together with the user's manual. Following the instructions in the included user's manual is a prerequisite for safe use of the garden machine. The user's manual also contains operating, maintenance and repair instructions.

The manufacturer takes no responsibility for accidents or damages resulting from not following the instructions in this manual.

2. MACHINE DESCRIPTION AND INCLUDED CONTENTS

Carefully take the machine out of the packaging and check whether all the following parts are present:

Machine description (see pic. 1)

- | | |
|---|---|
| 1 Pump body | 5 Hose connection with the pump tube bend - assembled |
| 2 Power cord with electrical plug | 6 Switching float |
| 3 Hose connection with option to connect to a 1 1/2" hose | 7 Height setting for the switching float |
| 4 Pump tube bend | |

Supplied contents

- ✿ Submersible pump
- ✿ Operating instructions
- ✿ Hose connection with pump tube bend

If there are parts missing or they are damaged, please contact the vendor from whom you bought the machine.

3. PUTTING INTO OPERATION

Installation

Submersible pumps are installed as follows:

- ✿ in a permanent position with a rigid pipe.
- ✿ in a permanent position with a flexible pipe.
- ✿ You should never install the pump by hanging it on the outlet hose or power cord without additional support.
- ✿ The submersible pump must be hung on a holder, or it must be placed on the bottom of the tank.
- ✿ For the pump to function correctly the bottom part of the tank must be protected against any kind of dirt (applies to clean water pumps) and against any larger residue (for the size of dirty material see the technical specifications of the individual models).
- ✿ If the water level declines too much, any residue in the pumping pit will quickly dry out and prevent the pump from starting again. It is therefore essential to regularly inspect the submersible pump (by starting it).
- ✿ The float is set up in such a way that the pump may be started immediately.

After carefully reading these instructions you can prepare your pump for operation, however, keep the following points in mind:

- ✿ Check that the pump is standing on the bottom of the tank.
- ✿ Check that the outlet hose has been attached correctly.
- ✿ Check that the electrical connection is 230 V ~ 50 Hz.
- ✿ Check that the power socket is in good condition.
- ✿ Ensure that the moisture from the water can never get to the electrical power source.
- ✿ Prevent the pump from running empty.

Before putting the pump into operation, please check the following points:

- ✿ The switching float is installed in such a way that it is possible to reach the activation level or the shut off level with only a small amount of force. After checking this installation, place the pump into a tank with water and carefully lift the switching float by hand and then put it down again. During this activity watch that the pump has started and then turned itself off.
- ✿ Ensure that the distance between the switching float and the pawl holder is not too small. It is not possible to guarantee correct operation when the gap is too small.
- ✿ As soon as you set the switching float, check that it is not touching the underlay before the pump turns off.
- ✿ The activity position of the switching float can be set by adjusting the float in the holder of the pawl.

⚠ ATTENTION: Danger of running when empty.

📖 Note: The tank for the pump should have the minimum dimensions of 40 × 40 × 50 cm (height × width × depth), for the float to freely move with the switch.

Connecting to the mains

Your new submersible pump is equipped with a power plug, preventing discharge, meeting strict norms. The pump is designed to be connected to a safety power socket 230 V ~ 50 Hz. Check that it is in perfect condition. Insert the plug into the socket and the pump is ready for use.

⚠ ATTENTION: If the power cord or power plug are in any way damaged by an external action, do not repair the power cord and contact an authorised service centre!

⚠ ATTENTION: This repair should only be performed by an authorised service centre.


4. OPERATING INSTRUCTIONS

Purpose of use

- ✿ This pump may be used anywhere, where you wish to transfer water from one location to another, e.g. at home, agriculture, gardening, plumbing and for many other applications.
- ✿ This product is designed for private household use.
- ✿ It is not suitable for professional use.
- ✿ The submersible pump is suitable for work with water in a water distribution system and for chlorinated pool water.
- ✿ It is not suitable for work with waste water in sewage systems, salt water, aggressive or easily combustible substances, for work in food processing or as a pump for water jets on garden ponds.
- ✿ It is not designed for pumping drinking water!

Instructions for use

⚠ ATTENTION: Before setting up the machine or carrying out maintenance on the machine, or if the electric power cable has become jammed or is damaged, always disconnect it from the electric power socket!

 Before using the submersible pump, please first carefully read all the safety instructions and instructions for use for the pump. Only after reading these instructions will you be able to safely and reliably use all the functions of the pump. You must conform to all local regulations in force in your country. These regulations are effective together with the particulars specified in these instructions.

⚠ ATTENTION: If you will be using the pump near pools or garden ponds, or in their protective zone, the electrical grid must be equipped with a circuit breaker. The pump must not be used, if there are people in the pool or garden pond! Also do not use it if there are fish or other living creatures in the pool or garden pond. Contact an expert company for installation.

- ✿ The submersible pump is designed to pump water at a maximum temperature of 35 °C.
- ✿ The pump must not be used for other liquids, particularly motor oils, cleaning agents and other chemical products!

Electrical safety

- ✿ The pump can be connected to any power plug installed according to given norms.
- ✿ The plug must be powered at 230 V ~ 50 Hz.

⚠ ATTENTION - Important for the protection of your personal safety. Before first starting your new submersible pump have a professional check the following items:

- Grounding
- Neutral conductor
- The current circuit breaker must conform to energy safety norms and must function perfectly.
- The electrical connection must be protected against moisture.
- If there exists a danger of the electrical connection being flooded, it must be moved higher.
- Under all circumstances prevent the circulation of aggressive liquids and coarse materials.
- The submersible pump must be protected against frost.
- The pump must be protected against running empty.
- Prevent children from accessing parts of the pump by appropriate measures.

5. MAINTENANCE AND STORAGE

This submersible pump is approved as a maintenance-free, high quality product undergoing several final inspections. We recommend you perform regular inspections and maintenance, which will ensure a long lifetime and continuous performance.

⚠ ATTENTION: Disconnect the power source before performing any maintenance.

Maintenance

- ✿ If the pump is regularly moved during operation, it should be rinsed out with water after each use with clean water.
- ✿ If the pump is permanently installed, the working order of the switching float should be checked every 3 months.
- ✿ Any fibrous deposits that could deposit themselves inside the pump, should be removed using a current of water.
- ✿ Mud should be cleaned from the floor of the pumping pit every 3 months.
- ✿ Remove deposits on the float using clean water.

Cleaning the pump impeller

If an excessive amount of debris accumulates in the body of the pump, flush the pump out with clean water.

6. TECHNICAL SPECIFICATIONS

	FVC 2011-EK	FVC 2013-EK
Voltage/Frequency	230 V ~ 50 HZ	230 V ~ 50 HZ
Power input	250 W	400 W
Maximum transferred amount	5000 l/h	7500 l/h
Maximum delivery	6 m	5 m
Maximum submersible depth	5 m	4 m
Maximum temperature of the media	35 °C	35 °C
Maximum value of solid particles in the media	Dia. 5 mm	Dia. 35 mm
Height of the switching point: On	Approx. 50 cm	Approx. 50 cm
Height of the switching point: Turned off	Approx. 5 cm	Approx. 5 cm

7. WHAT TO DO "WHEN..."

When...	Causes	Repairs
The pump does not start	<ul style="list-style-type: none"> - No power supply - The float does not switch 	<ul style="list-style-type: none"> - Check the power supply - Move the float to a higher position
Not flowing	<ul style="list-style-type: none"> - The suction sieve is clogged - The pressure hose is bent 	<ul style="list-style-type: none"> - Flush out the suction sieve with a current of water - Straighten the hose
The pump does not turn off	<ul style="list-style-type: none"> - The float cannot fall lower 	<ul style="list-style-type: none"> - Place the pump correctly on the floor of the tank
Insufficient flow	<ul style="list-style-type: none"> - The suction sieve is clogged - Lowered pump capacity due to dirty and silted water 	<ul style="list-style-type: none"> - Clean the suction sieve - Clean the pump and flush the hose with clean water
The pump turns off after a short time	<ul style="list-style-type: none"> - The temperature fuse stops the pump due to dirty water - The water is too hot. The temperature fuse stops the pump 	<ul style="list-style-type: none"> - Disconnect the power plug. Clean the pump and the pumping pit - Check that the maximum water temperature of 35 °C is not exceeded

 **Note:** Not covered by warranty:

- ✿ Damage to the rotating mechanical gasket caused by running the pump empty, or by foreign objects in the water
- ✿ Blocking of the running wheel by foreign objects
- ✿ Damage during transport
- ✿ Damage caused by unprofessional alterations by persons

8. DISPOSAL

INSTRUCTIONS AND INFORMATION REGARDING THE DISPOSAL OF USED PACKAGING MATERIALS

Dispose of packaging material at a public waste disposal site.

DISPOSAL OF USED ELECTRICAL AND ELECTRONIC APPLIANCES



The meaning of the symbol on the product, its accessory or packaging indicates that this product shall not be treated as household waste. Please, dispose of this product at your applicable collection point for the recycling of electrical & electronic equipment waste. Alternatively in some states of the European Union or other European states you may return your products to your local retailer when buying an equivalent new product. The correct disposal of this product will help save valuable natural resources and help in preventing the potential negative impact on the environment and human health, which could be caused as a result of improper liquidation of waste. Please ask your local authorities or the nearest waste collection centre for further details. The improper disposal of this type of waste may fall subject to national regulations for fines.

For business entities in the European Union

If you wish to dispose of an electrical or electronic device, request the necessary information from your seller or supplier.

Disposal in other countries outside the European Union

If you wish to dispose of this product, request the necessary information about the correct disposal method from local government departments or from your seller.



This product meets all the basic EU regulation requirements that relate to it.

Changes to the text, design and technical specifications may occur without prior notice and we reserve the right to make these changes.



FAST ČR, a.s.
U Sanitáru 1621, 251 01 Říčany, Czech Republic
tel.: +420 323 204 111, fax: +420 323 204 110



FAST ČR, a.s.
U Sanitáru 1621, 251 01 Říčany, Czech Republic
tel.: +420 323 204 111, fax: +420 323 204 110

EU DECLARATION OF CONFORMITY

Product / brand: Submersible Pump / FIELDMANN

Type / model: FVC 2011-EK as factory model Q1CP-250B
AC 230 – 240 V, 50Hz, 250W, Class I, IPX8

Manufacturer: FAST ČR, a.s.
U Sanitáru 1621, 251 01 Říčany, Czech Republic
VAT no: CZ2477749

This declaration of conformity is issued under the sole responsibility of the manufacturer.
Person in charge of completing the technical documentation: FAST ČR, a.s.

The object of the declaration described above is in conformity with the relevant Union
harmonization legislation:

Directive MD 2006/42/EC Directive EMC 2014/30/EU
Directive RoHS 2011/65/EU

The relevant harmonized standards and the other technical specifications:

EN 60335-1:2012+A11+A13+A14+A2+A15 EN IEC 55014-1:2021
EN IEC 60335-2-41:2021+A11 EN IEC 55014-2:2021
EN IEC 61000-3-2:2019+A1
EN 61000-3-3:2013+A1




Place of issuance: Prague

Date of issuance: 30.08.2023

Name: Petr Uher - Responsible Person

Signature:



FAST ČR, a.s.
U Sanitáru 1621, 251 01 Říčany
tel.: +420 323 204 111
ICO: 247 77 648, DIC: CZ2477749

Product / brand: Submersible Pump / FIELDMANN

Type / model: FVC 2013-EK as factory model QJDP-400E3
AC 230 – 240 V, 50Hz, 400W, Class I, IPX8

Manufacturer: FAST ČR, a.s.
U Sanitáru 1621, 251 01 Říčany, Czech Republic
VAT no: CZ2477749

This declaration of conformity is issued under the sole responsibility of the manufacturer.
Person in charge of completing the technical documentation: FAST ČR, a.s.

The object of the declaration described above is in conformity with the relevant Union
harmonization legislation:

Directive MD 2006/42/EC Directive EMC 2014/30/EU
Directive RoHS 2011/65/EU

The relevant harmonized standards and the other technical specifications:

EN 60335-1:2012+A11+A13+A14+A2+A15 EN IEC 55014-1:2021
EN IEC 60335-2-41:2021+A11 EN IEC 55014-2:2021
EN IEC 61000-3-2:2019+A1
EN 61000-3-3:2013+A1



Place of issuance: Prague

Date of issuance: 30.08.2023

Name: Petr Uher - Responsible Person

Signature:



FAST ČR, a.s.
U Sanitáru 1621, 251 01 Říčany
tel.: +420 323 204 111
ICO: 247 77 648, DIC: CZ2477749



 **FIELDMANN**[®]
Home & Garden Performance