

# Freestanding Range Cooker, Dual Fuel, 120cm, 6 Burners

Series 7 | Contemporary

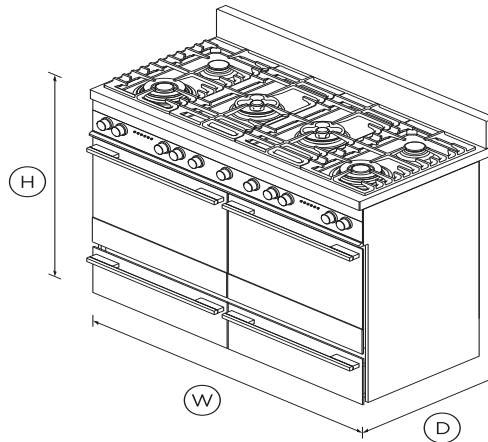


A striking addition to your kitchen, with six powerful gas burners and the cooking flexibility of two convection ovens.

- Six burner gas hob with two wok burners
- Two separate convection ovens with 71L total capacity per cavity, and seven oven functions

## DIMENSIONS

Height	915 - 927mm
Width	1195mm
Depth	600mm



## FEATURES & BENEFITS

### COOKING FLEXIBILITY

This freestanding cooker has seven functions with pre-set temperatures, including Bake, Grill and Fan Forced allowing you to use a variety of cooking styles.

### SIZED TO SUIT

Designed for multi-shelf cooking, this freestanding range cooker has two 71L cavities, giving you enough room for a large family roast and all the trimmings.

## PRECISE CONTROL

The consistent flame and heat distribution of the gas burners combined with highly responsive dials offer precise heat control. Perfect a slow simmer for sauces or an intense heat for searing steaks.

## SAFE AND SOUND

The door and cavity cooling system keeps the heat on the inside, protecting your hands and surrounding cabinetry. Getting large dishes in and out of the oven is a breeze with non-tip shelves.

## COMPLEMENTARY DESIGN

With their black reflective glass and stainless steel finish, our freestanding range cookers are designed to match the rest of Fisher & Paykel's kitchen appliance family.

## SPECIFICATIONS

### Accessories

Fat filter	•
Flat brushed baking tray	2
Flat wire shelf	1
Grill pan handles	1
Roasting dish and grill rack set	2 sets
Step down wire shelf	•

### Capacity

Shelf positions	12
Total capacity	142L
Total capacity second oven	71L
Usable capacity	116L

### Cleaning

Acid resistant graphite enamel	•
--------------------------------	---

- Drop down grill element •
- Removable oven door •
- Removable oven door inner •
- Removable shelf runners •

**Consumption**

Energy rating **A**

**Controls**

- Automatic cooking/minute •
- Electronic clock •
- Satin chrome control dials •

**Oven features**

- Electronic ignition •
- Storage compartment •
- Warming drawer •

**Oven functions**

- Bake •
- Defrost •
- Fan bake •
- Fan forced •
- Fan grill •
- Grill •
- Number of functions **7**
- Warm •

**Power requirements**

Amperage **23.04A**

**Product dimensions**

Depth **600mm**  
 Height **915 - 927mm**  
 Width **1195mm**

**Hob Features**

- Cast iron trivets •
- LPG/Natural gas compatible •

**Hob Performance**

Number of burners **6 including 2 dual burners**  
 Number of burners **6**

**Safety**

- Advanced cooling system •
- Anti-tilt bracket •
- CoolTouch door •
- Flame failure system •
- Non-tip shelves •

**Warranty**

Parts and labour **5 years**

SKU **81570**

The product dimensions and specifications in this page apply to the specific product and model. Under our policy of continuous improvement, these dimensions and specifications may change at any time. You should therefore check with Fisher &

Paykel's Customer Care Centre to ensure this page correctly describes the model currently available. ? Fisher & Paykel Appliances Ltd 2020



**A PEACE OF MIND SALE**

24 Hours 7 Days a Week Customer Support

T 1800 625174 W [www.fisherpaykel.com](http://www.fisherpaykel.com)