

FRIGIDAIRE

Factory Parts Catalog

Product No.	FGID2474QF0A
Series	91199000600
Color	stainless
Owner's Guide English	117904910
Owner's Guide Spanish	117904930
Owner's Guide French	117904920
Service Data Sheet	808936613
Energy Guide	898936606
Installation Instructions	808936603
Market	North America

Frigidaire

P.O. BOX 8020
CHARLOTTE, NC 28262

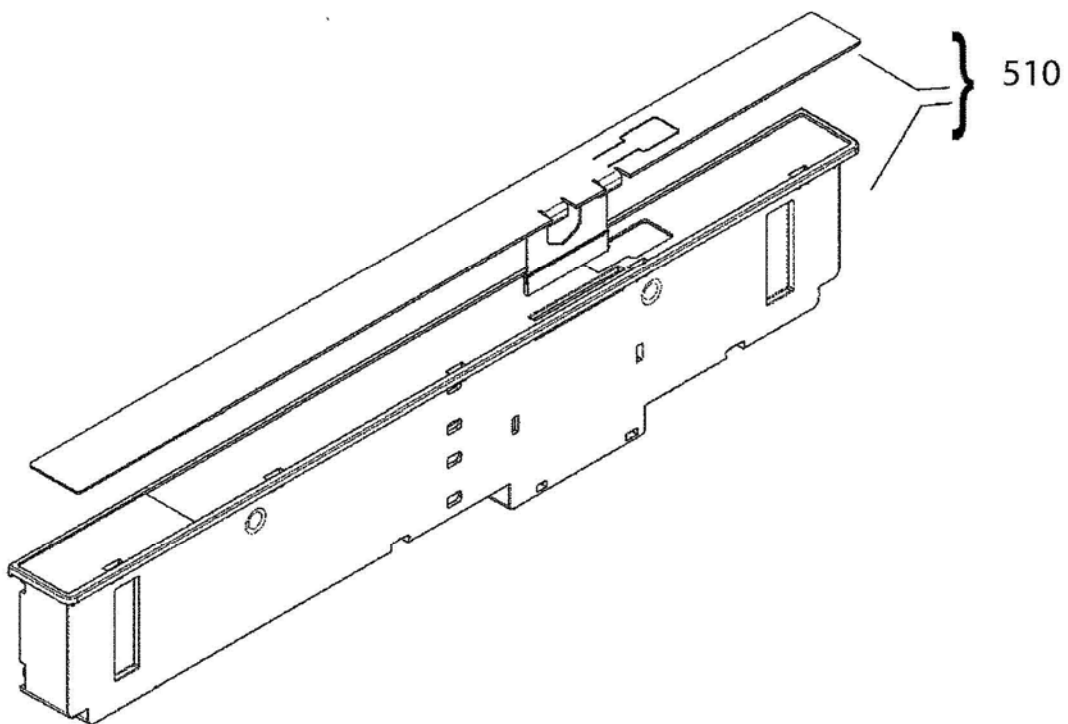
**This Publication Replaces
Publication # 5995657029**

Publication No.
5995671194
15/11/30
(EN/SERVICE/ECL)
821

24-INCH BUILT-IN DISHWASHER

Model No.
FGID2474Q

CONTROL PANEL

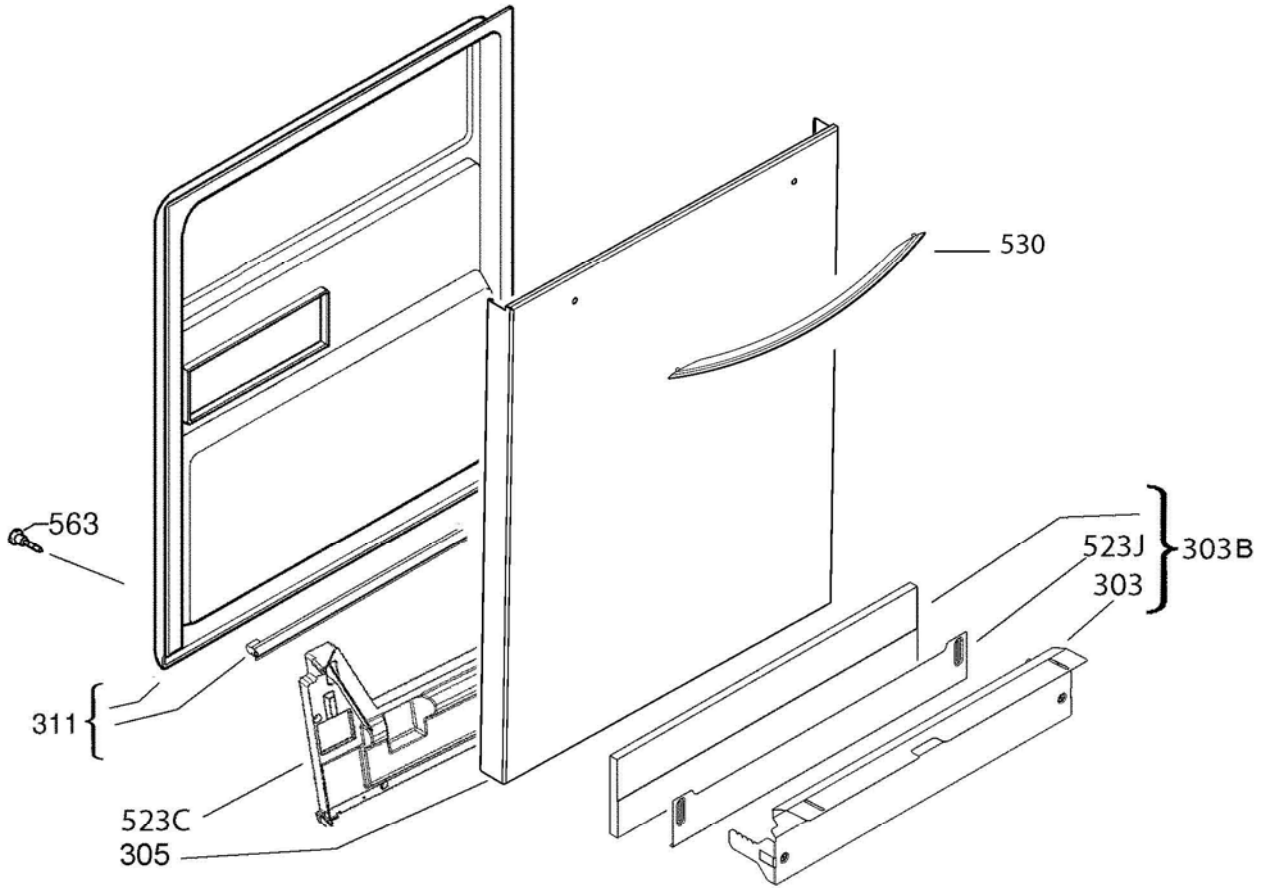


P09113178986

CONTROL PANEL

POS. NO	PART NO.	DESCRIPTION
510#	117494801	Control Panel, assembly, black, complete

DOOR

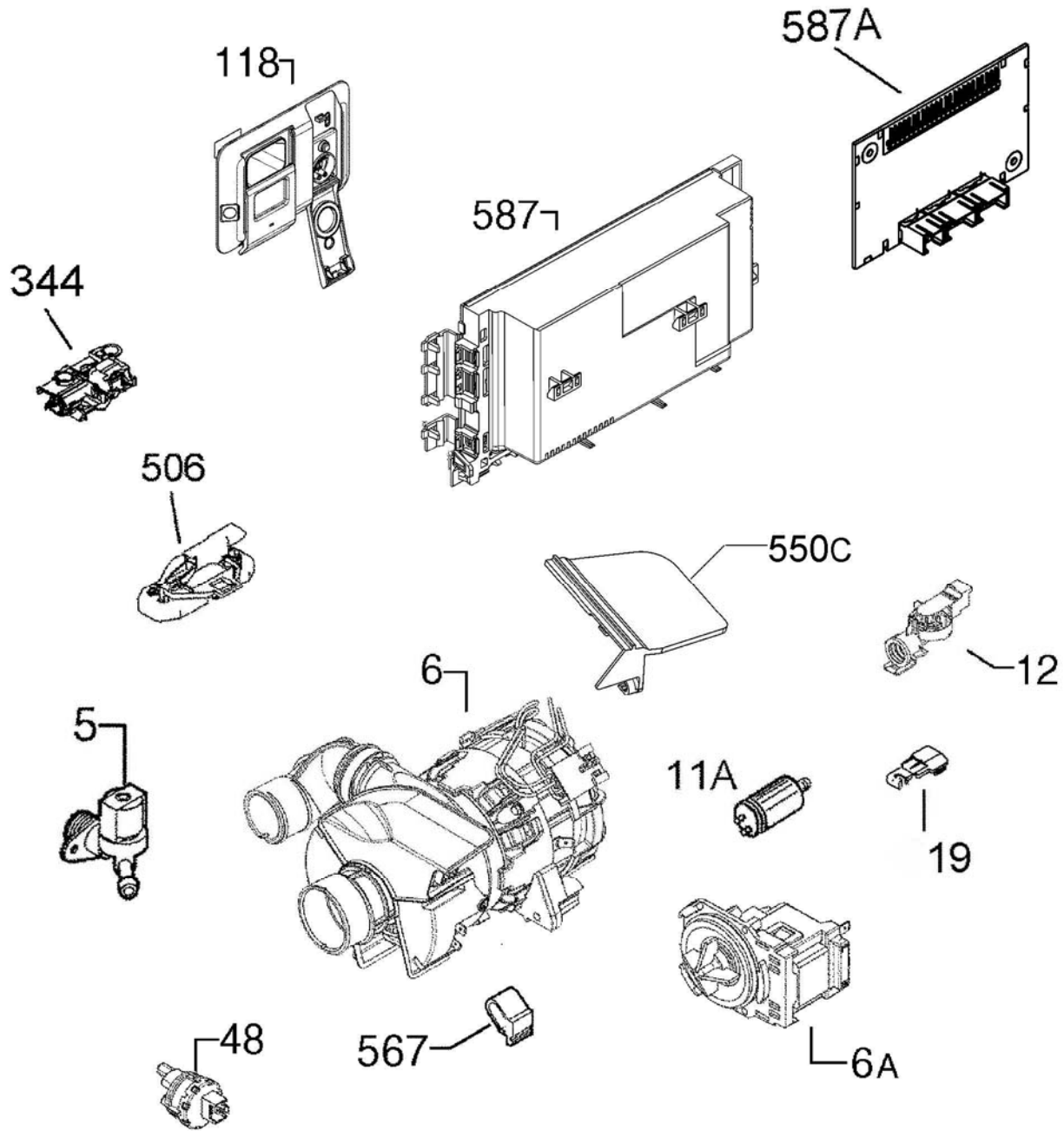


P09113178988

DOOR

POS. NO	PART NO.	DESCRIPTION
303	807110303	Kickplate, black
303B	A02025002	Kickplate, assembly, black, w/cover & insul
305	A00030301	Outer Door, stainless
311	A00010702	Liner, door
523C	807194801	Support, kickplate
523J	807110203	Cover, sliding, black, kickplate
530	154724905	Handle, towel bar, stainless
563	405526082	Screw, kit, 4-2 x 11, (6pcs)
*	405530674	Screw, kickplate, 3-5 x 9, (2)
*	405530675	Plate, door handle, (2)
*	405530684	Nut, door handle, (2)

ELECTRICAL PARTS

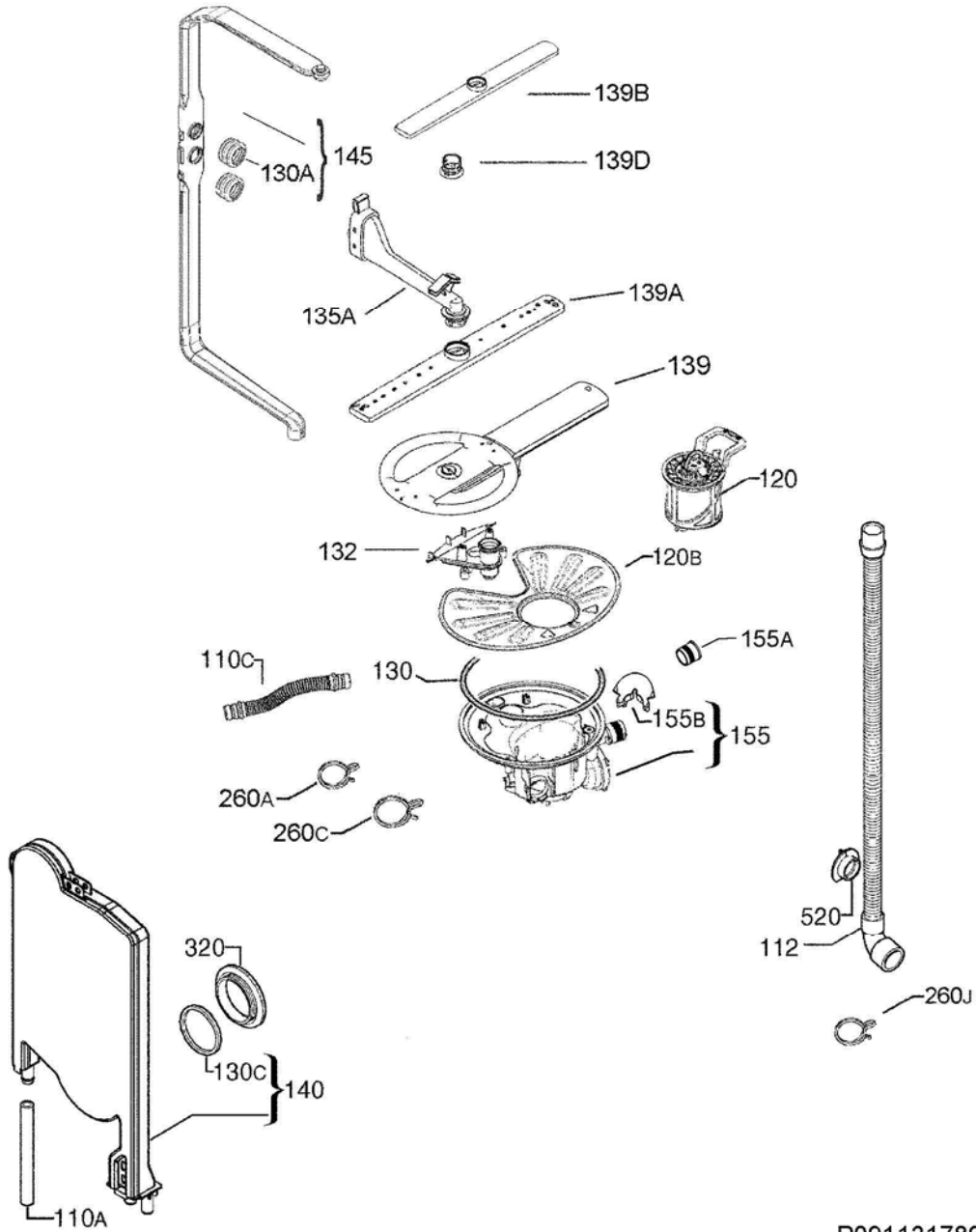


P09113178984

ELECTRICAL PARTS

POS. NO	PART NO.	DESCRIPTION
5 #	807445903	Valve, fill
6 #	A00210602	Pump, circulation, complete, 120V, 850W, w/heater
6A #	A00044305	Drain Pump, 60HZ
11A#	A00194401	Capacitor, motor, 8 uF
12 #	5304504077	Switch, pressure, kit, universal
19 #	117452801	Lamp, door indicator
48 #	A00040101	Sensor, turbidity
118#	A00130305	Dispenser, detergent
344#	111315040	Door Lock, assembly
506#	A00056502	Switch Assembly, float
550C	808089001	Cover, motor, drip protection
567	117193401	Buffer, motor bracket, rubber
587#	97391199000600	Control Board, PB201, main, configured
587A	807022402	Board, user interface
* #	405531187	Harness kit, door, main
* #	807556301	Harness, wiring, pcb, heater
*	117186404	Cover, protection, wiring harness
*	405526082	Screw, kit, 4-2 x 11, (6pcs)

WASH SYSTEM

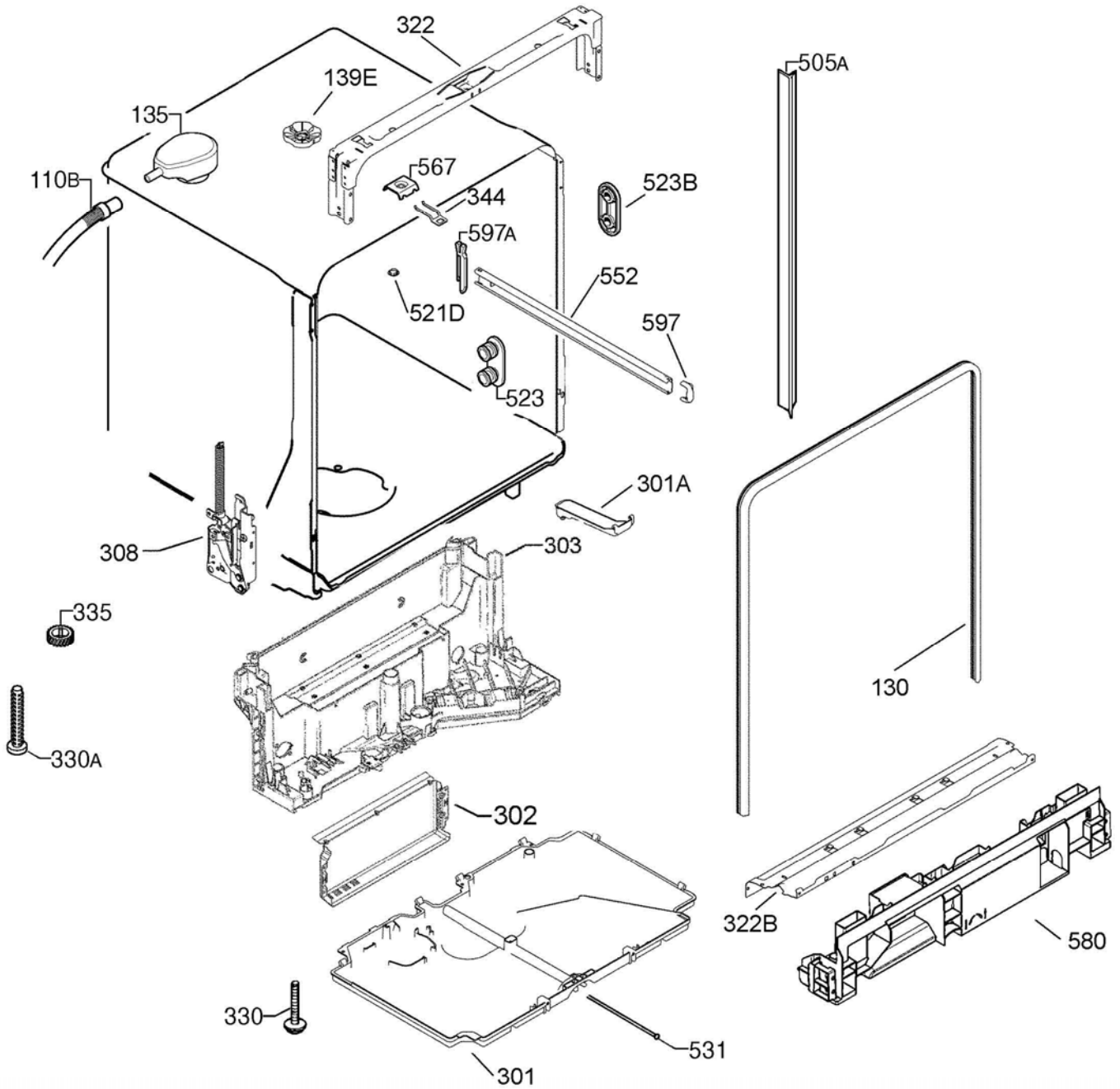


P09113178985

WASH SYSTEM

POS. NO	PART NO.	DESCRIPTION
110A	807526501	Tubing, container cup, to fill valve
110C	A00005901	Hose, sump, 370mm, water softener
112	807032601	Hose, drain
120	A00201402	Drain Filter, assembly, w/glass trap
120B	111920904	Filter, flat
130	111918600	O-ring, sump
130A	A00045701	Seal, channel, drainage
130C	5065923100	Seal, container cup, round
132	111915813	Support, spray arm, lower
135A	A00060301	Duct, grey
139	111920832	Spray arm, lower, grey/blue
139A	808321102	Spray arm, middle, grey
139B	807382106	Spray arm, grey, upper
139D	807035801	Bearing, spray arm, upper
140	117048173	Container Cup, small
145	A00023201	Manifold, delivery tube, inner
155#	A00049405	Sump Assembly, water
155A	A00053601	Flapper, valve, D23, 2mm, water sump
155B	111917701	Screen, sump
260A	807868902	Clamp, pump, flow regulator
260C	807868903	Clamp, pump, sump
260J	807868901	Clamp, drain hose
320	152627221	Grill, vapor outlet, dark grey
520	807201901	Flange, discharge hose
*	405530686	Screw, sump, 4 x 15, (4), & spray arm

TUB & FRAME

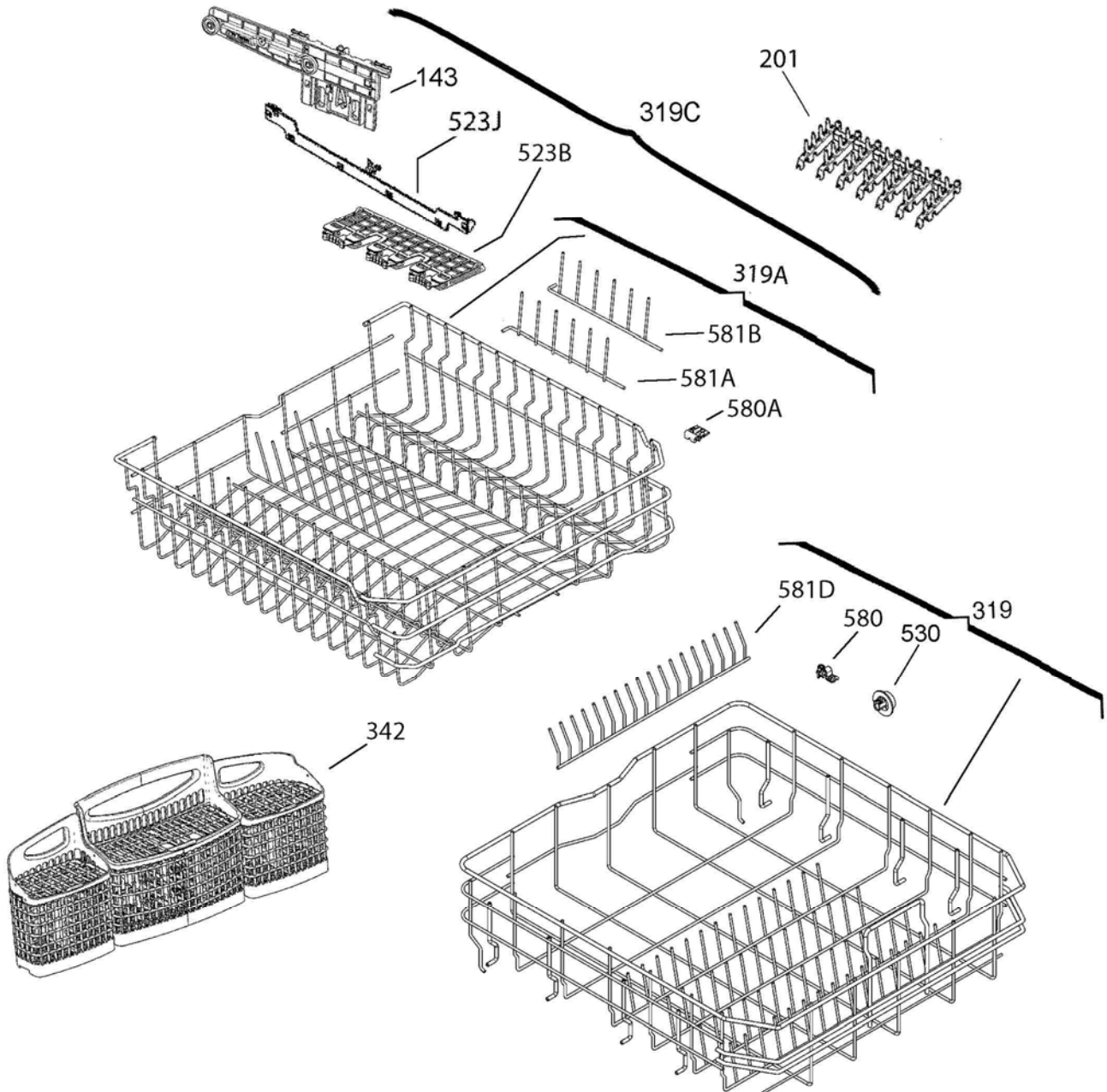


P09113178983

TUB & FRAME

POS. NO	PART NO.	DESCRIPTION
110B	117281421	Pipe, drying, activator
130	117158011	Seal, door
135	117145823	Container, drying, activator
139E	807240301	Nut, spray arm, upper
301	807104203	Tray, bottom
301A	405513837	Overflow hose, kit
302	A00075001	Cover, electronics
303	807104103	Base, lower, rear
308	405517992	Hinge Assembly, kit, RH and LH
322	A00166805	Crossbar, front, black, top
322B	117156105	Cross Piece, front, bottom
330	117368700	Foot, adjustable, front
330A	117363200	Foot, adjustable, central
335	152714200	Cog, wheel
344	152234405	Latch
505A	808470401	Trim, side, L=648mm
521D	152657610	Plug, latch hole
523	405526079	Roller Assembly, kit, tub
523B	152122010	Holder, roller, stiffening
531	A00021003	Screw, foot adjusting, central
552	A00212701	Rail, upper rack
567	152323603	Bracket, latch
580	807104303	Cover, bottom, front
597	152047941	Stop, rack rail, dark grey, front
597A	646123406	Stop, rack rail, dark grey, rear
*	328655280	Built-in, kit
*	117427700	Clip, rivet
*	405530687	Screw, holder, (8), & roller

RACKS

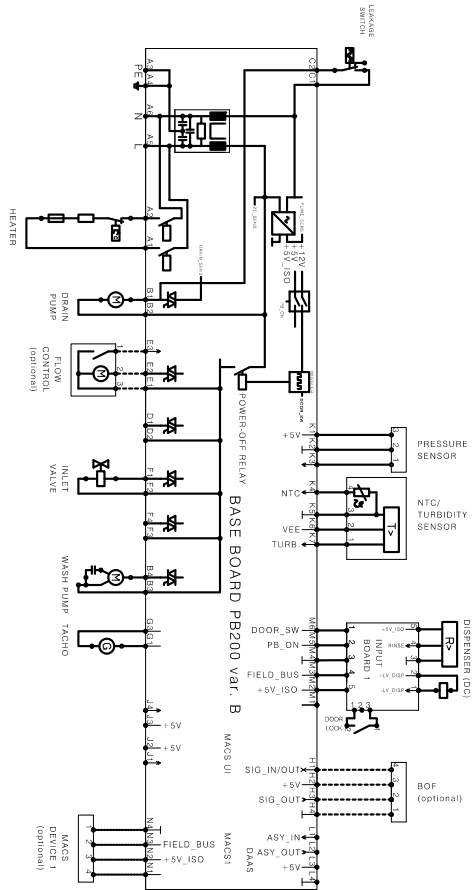


P09113178992

RACKS

POS. NO	PART NO.	DESCRIPTION
143	808092513	Adjustment, upper rack, LH
143	808092514	Adjustment, upper rack, RH
201	808507801	Soft Grip, spikes, rubber
319	A00241307	Rack Assembly, lower, silver
319A	A00251510	Rack Assembly, upper, silver
319C	117492500	Rack Assembly, complete, silver, upper, w/adjustments
342	154749604	Basket, Cuttlery, black, lower rack, 3 pcs
523B	808124102	Shelf, cup, grey
523J	808138102	Holder, cup shelf
530	405507213	Rack Roller, kit, lower
580	807282902	Clip, partition, lower rack
580A	A00141702	Fixing Clamp, partition, upper
581A	A00237001	Partition, upper rack, LH
581B	807077101	Partition, upper rack, RH
581D	A00240901	Partition, lower rack
*	808191302	Rubber Buffer, basket, upper

WIRING DIAGRAM



CIRCUIT DIAGRAM

Wire color

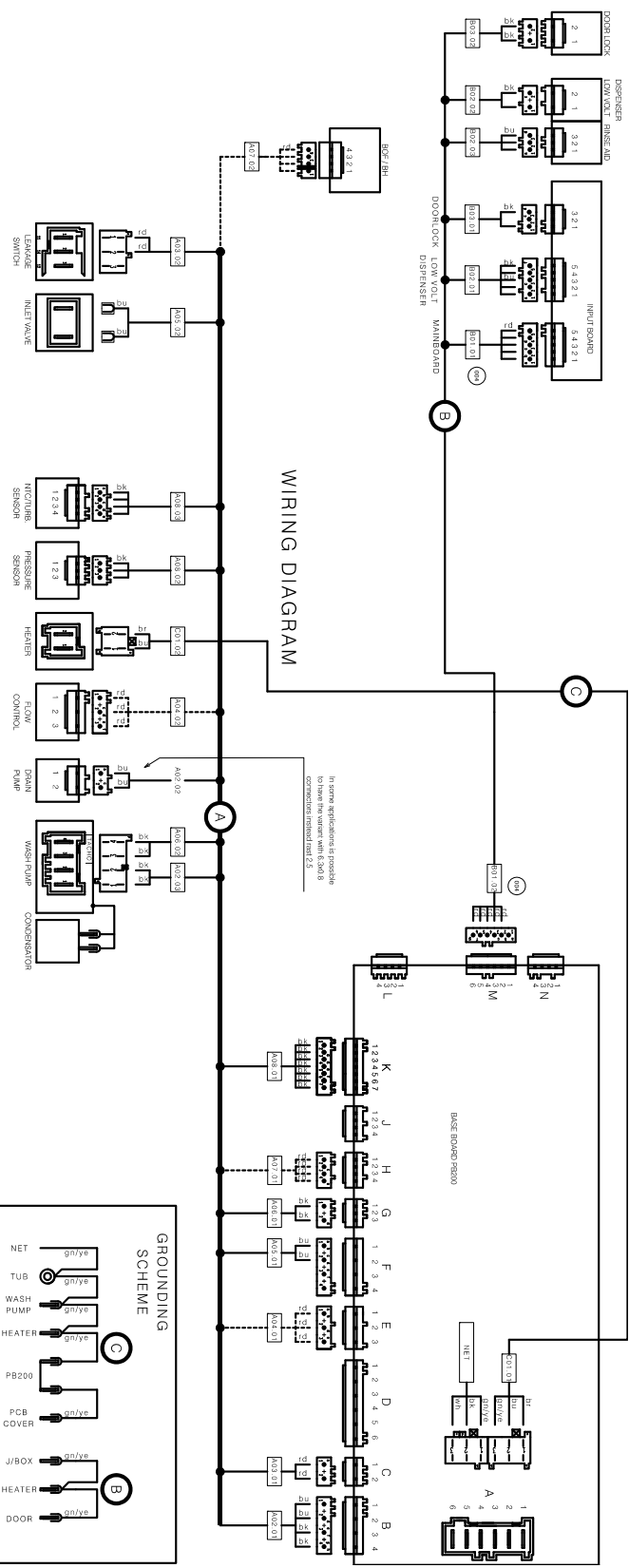
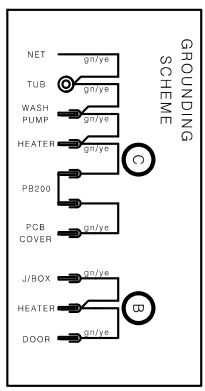
Code	Color
ts	black
br	brown
bl	blue
rd	red
grn	green/yellow

Line style

- solid - Component is currently not in use
- dashed - Component is optional

Connections included in WireHarness

WireHarness	Connection	WireColor	WireFunc	WireFunc2	WireFunc3	WireFunc4	WireFunc5
A	1	ts	Standby	Standby			
A	2	ts	Standby	Standby			
A	3	ts	Standby	Standby			
A	4	ts	Standby	Standby			
A	5	ts	Standby	Standby			
A	6	ts	Standby	Standby			
A	7	ts	Standby	Standby			
A	8	ts	Standby	Standby			
B	1	ts	Standby	Standby			
B	2	ts	Standby	Standby			
B	3	ts	Standby	Standby			
B	4	ts	Standby	Standby			
B	5	ts	Standby	Standby			
B	6	ts	Standby	Standby			
B	7	ts	Standby	Standby			
B	8	ts	Standby	Standby			
C	1	ts	Standby	Standby			
C	2	ts	Standby	Standby			
C	3	ts	Standby	Standby			
C	4	ts	Standby	Standby			
C	5	ts	Standby	Standby			
C	6	ts	Standby	Standby			
C	7	ts	Standby	Standby			
C	8	ts	Standby	Standby			



808936618
A00246001