

# SUBMITTAL - 12KTAP1

Job Name: _____	Date: _____
Location: _____	



Indoor Unit: **ASUH12KTAS**

Outdoor Unit: **AOUH12KTAP1**



## XLTH+



7 Year Compressor, 5 Year Parts out-of-the-box Warranty.



10 Year Compressor, 10 Year Parts Warranty when registered within 60 days of installation in a residence.



12 Year Compressor, 12 Year Parts Warranty when registered within 60 days of installation in a residence and installed by a Fujitsu Elite contractor.

### FEATURES

#### INDOOR UNIT:

- Compact wall-mounted indoor unit providing superior comfort.
- Indoor unit with ProCore™ (High Corrosion Resistant Copper) coils for long-lasting protection against corrosion
- Whisper-quiet operation with sound levels as low as 23dB
- Multiple fan speed options: Auto, High, Med-High, Med, Med-Low, Low, and Quiet.
- Special Operation modes available:
  - Economy Mode / Energy Saving Mode / Powerful Mode / Minimum Heat Mode / Automatic defrosting operation / Auto-restart function
- Enhanced controls platform for seamless, intuitive operation:
  - Backlit wireless remote controller included with the indoor unit
  - Built-in Wi-Fi connectivity for remote monitoring & control via the Airstage Mobile App
  - Occupancy sensor for enhanced energy savings
  - Extended connectivity with support for third-party interface options
  - Compatible with BACnet and Modbus protocols for seamless integration with building management and Home Automation Systems
- Advanced scheduling and timer options offer greater control over unit operation:
  - Weekly Timer / 24-hr Timer / Sleep Function
- Dual-action Filtration: Apple-Catechin Filter & Ion Deodorizing Filter
- Additional premium features include, but are not limited to:
  - Built-in external input and output for interlocking systems with 3<sup>rd</sup> party devices (Ex: Fire Alarm, Door Switch, Humidifier, Aux. Heat & more)
  - Multiple Auxiliary Heat logic for optimized heating performance
  - Service monitoring functionality via compatible accessories (UTY-RVRU & UTY-RNRUZ-series)

#### OUTDOOR UNIT:

- Low GWP R-32 systems for reduced environmental impact
- INVERTER-driven compressor that offers superior performance, comfort, and energy savings
- Extreme performance with reliable heating down to -22°F (-30°C).
- Base pan heater designed for the extreme cold climate region
- Compact outdoor unit with extended line set lengths up to 66ft (20m)
- Up to 27% higher rated heating capacity than nominal capacity
  - 15300 Btu/h Rated Heating Capacity for 12000 Btu/h system
  - Up to 100% heating capacity @ -22°F
- Outdoor Unit Low-noise operation mode
- Hydro Fin-coated heat exchanger for improved corrosion resistance and coil durability



Due to continuous product improvements, specifications are subject to change without notice. Please log in to the Fujitsu Portal for the most up-to-date documentation <https://connect.fujitsugeneral.com>

Version: 20250306A

-1 of 6-

# SUBMITTAL - 12KTAP1

## SPECIFICATIONS:

Indoor Unit			<b>ASUH12KTAS</b>					
Outdoor Unit			<b>AOUH12KTAP1</b>					
System Name			12KTAP1					
AHRI Number			216018256					
SEER2	Cooling	Btu/hW	31.5					
EER2			16.7					
HSPF2	Heating	kW/kW	13.7					
COP2			4.88					
Outdoor Operation Range		Cooling	14 to 122 (-10 to 50)					
		Heating	-22 to 75 (-30 to 24)					
Indoor Capacity		Cooling	Rated	12000				
			Min.—Max.	3,100—17,300				
		Heating	Rated	15300				
			Min.—Max.	4,500—27,300				
Outdoor Connection pipe		Size	in (mm)	Ø1/4 (Ø6.35)				
		Liquid		Ø3/8 (Ø9.52)				
		Gas						
		Method		FLARE				
		Pre-charge length		ft (m)	49 (15)			
		Min. length			10 (3)			
Max. length		66 (20)						
Max. height difference		49 (15)						
Indoor Dimensions (H × W × D)		Net	in (mm)	11-5/8 × 35-3/16 × 11 (295 × 894 × 280)				
		Gross		14-3/16 × 39 × 14-9/16 (360 × 990 × 370)				
Indoor Weight		Net	lb (kg)	31 (14)				
		Gross		40 (18)				
Outdoor Dimensions (H × W × D)		Net	in (mm)	28-3/16 × 32-5/16 × 12-3/8 (716 × 820 × 315)				
		Gross		30-9/16 × 37-13/16 × 17-11/16 (776 × 961 × 450)				
Outdoor Weight		Net	lb (kg)	93 (42)				
		Gross		104 (47)				
Indoor Fan		Airflow rate		CFM (m <sup>3</sup> /h)	High	512 (870)		
					Med—High	465 (790)		
					Med	412 (700)		
					Med—Low	377 (640)		
					Low	347 (590)		
					Quiet	206 (350)		
					Heating		High	547 (930)
							Med—High	471 (800)
							Med	412 (700)
							Med—Low	371 (630)
		Type × Qty				CROSSFLOW FAN × 1		
				Motor output		W	61	
		Outdoor Fan		Airflow rate		CFM (m <sup>3</sup> /h)	Cooling	1,377 (2,340)
							Heating	1,107 (1,880)
Type × Qty						PROPELLER FAN × 1		
Motor output				W	49			
Indoor Sound Pressure Level <sup>14</sup>		Cooling		dB (A)	High	44		
					Med—High	43		
					Med	39		
					Med—Low	37		
					Low	35		
					Quiet	23		
		Heating			High	45		
					Med—High	42		
					Med	38		
					Med—Low	36		
					Low	34		
					Quiet	23		
		Outdoor Sound Pressure Level <sup>14</sup>			Cooling	48		
					Heating	49		

# SUBMITTAL - 12KTAP1

## SPECIFICATIONS:

Outdoor Refrigerant	Type		R32
	Charge	lb oz	2 lb 15 oz
		g	1320
Additional Charge Calculation		oz/ft	0.22
		g/m	20
Outdoor Refrigerant Oil	Type		RMM68AF
	Amount	in <sup>3</sup> (cm <sup>3</sup> )	24.4 (400)
Indoor Moisture removal		pints/h (L/h)	3.8 (1.8)
Indoor Drain hose	Material		POLYPROPYLENE + LINEAR LOW-DENSITY POLYETHYLENE
	Tip Diameter	in (mm)	Ø17/32 (Ø13.8) (I.D.), Ø5/8 to 21/32 (Ø15.8 to 16.7) (O.D.)
Indoor Operation range	Cooling	°F (°C)	64 to 90 (18 to 32)
		%RH	80 or less
	Heating	°F (°C)	60 to 86 (16 to 30)
Power Supply			208/230 V~ 60 Hz
Available Voltage Range			187—253
System power supply	Voltage	V	208/230
	Frequency	Hz	60
	Available voltage range	V	187—253
Indoor Current	Cooling	Rated	3.3
	Heating		4.2
Maximum Operating Current <sup>*3</sup>		Cooling	7.4
		Heating	12.9
Outdoor Starting Current			4.2
MCA <sup>*5</sup>			15.7
Wiring spec. <sup>*6</sup>		MAX. CKT. BKR <sup>*7</sup>	20
Indoor Input Power	Cooling	Rated	0.72
		Min.—Max.	0.12—1.32
Indoor Power Factor	Cooling	%	94.9
	Heating		95.2
Energy Star <sup>*8</sup>			ES, ESCC, ESME

NOTES:

- \*4: Indoor Sound Pressure Level — Measured values in manufacturer’s anechoic chamber.
  - Outdoor Sound Pressure Level — Because of the surrounding sound environment, the sound levels measured in actual installation conditions might be higher than the specified values here.
  - \*3: Maximum Operating Current — Maximum current is maximum value when operated within the operation range.
  - The total current of indoor unit and outdoor unit.
  - MCA — \*5: Minimum Circuit Ampacity (Calculation based on UL60335-2-40)
  - Wiring spec. — \*6: Selected sample based on Japan Electrotechnical Standards and Codes Committee E0005.
  - As the regulations of wire size and circuit breaker differ in each country or region, select appropriate devices complied to the regional standard.
  - MAX. CKT. BKR — \*7: Maximum Circuit Breaker
- System continues to operate below rated outdoor operation temperature range, subject to varying conditions. System has no low temperature cut out. Capacity is not tested outside of the rated temperature range.

# SUBMITTAL - 12KTAP1

## ACCESSORIES:

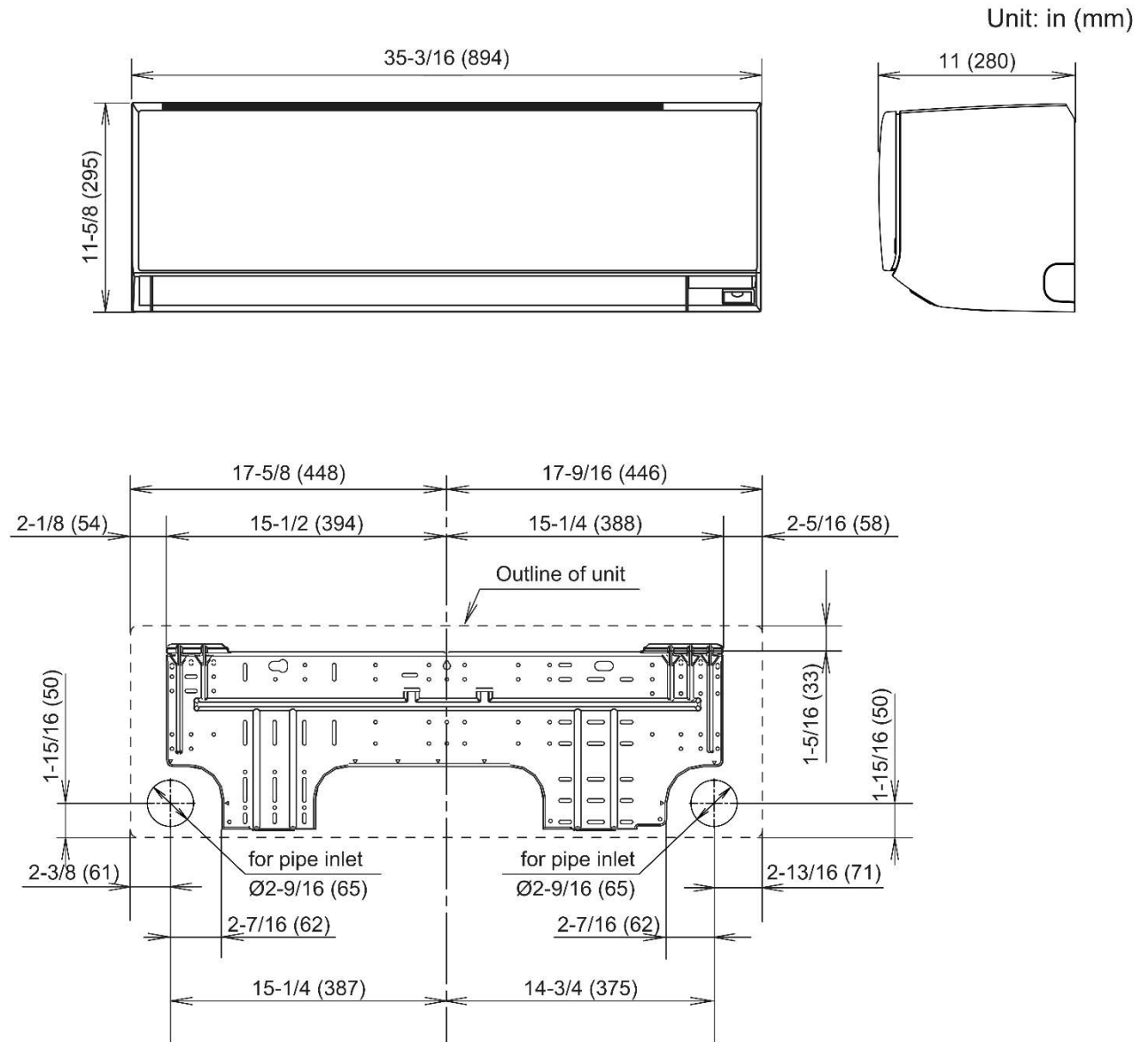
Model Number	Description
UTY-RVRU <sup>*1</sup>	KAGAMI - Touch Panel Wired Controller
UTY-RNRUZ5 <sup>*1</sup>	Touch Panel Wired Remote Controller
UTY-RHRY <sup>*1</sup>	Simple Wired Remote (Without Mode Function) - Hospitality
UTY-RSRY <sup>*1</sup>	Simple Wired Remote (With Mode Function)
UTY-TWRXZ4	Communication Kit - Wall Mount
UTY-TFSXH4	Wi-Fi Adapter (WiFi Interface Module USB Type)
FJ-AC-WIFI-1	Intesis Wi-Fi Device: Wired Module
FJ-IR-WIFI-1NA	Intesis IR Wireless AC Cloud Control Interface (Intesis Home app)
BM101WA	Cielo Breez MAX IR Controller w/ WiFi (Black)
BM102WA	Cielo Breez MAX IR Controller w/ WiFi (White)
UTY-VMSX	Modbus Converter
UTY-VTGX <sup>*1</sup>	Network Converter - Convert H-Series Comm. Protocol to V/J-Series Comm.
FJ-AC-485-1	Intesis - BACnet MSTP & Modbus RTU Gateway
UTY-TERX <sup>*1</sup>	External Switch Controller
UTY-TTRXZ1 <sup>*1,2</sup>	24V Thermostat Interface
TTRXZ1-KIT <sup>*1,2</sup>	24V Thermostat Interface Kit (UTY-TTRXZ1, UTY-WiFi Plug & 24V Transformer)
UTY-XCSXZ3	External input and output PCB
UTY-XWZX	External Wire Kit
UTY-XWZXZ5	External Connect Kit
UTY-DSGYZ2 <sup>*3</sup>	Airstage Edge Controller

NOTES:

- <sup>\*1</sup> -Requires Communication kit UTY-TWRXZ4 to connect this device to IDU.
- <sup>\*2</sup> -This device may not be used with any other type of controls (central controller, wire/wireless RC, WiFi adapter, BMS interface).
- <sup>\*3</sup> -Connection to AIRSTAGE Cloud requires a compatible AIRSTAGE Mobile adapter connected to the IDU.

# SUBMITTAL - 12KTAP1

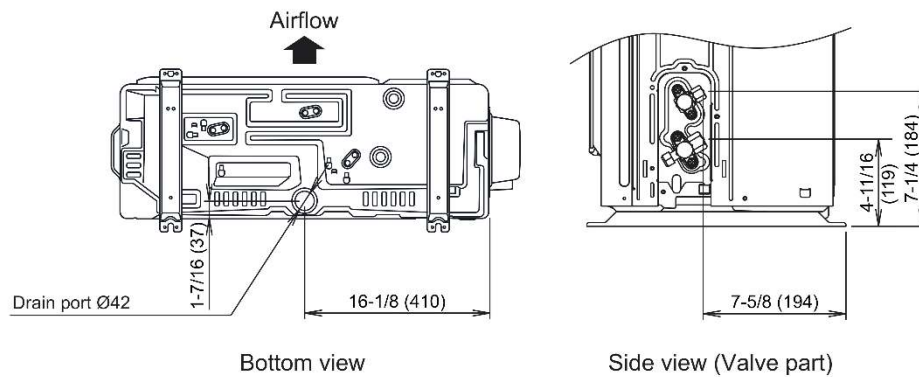
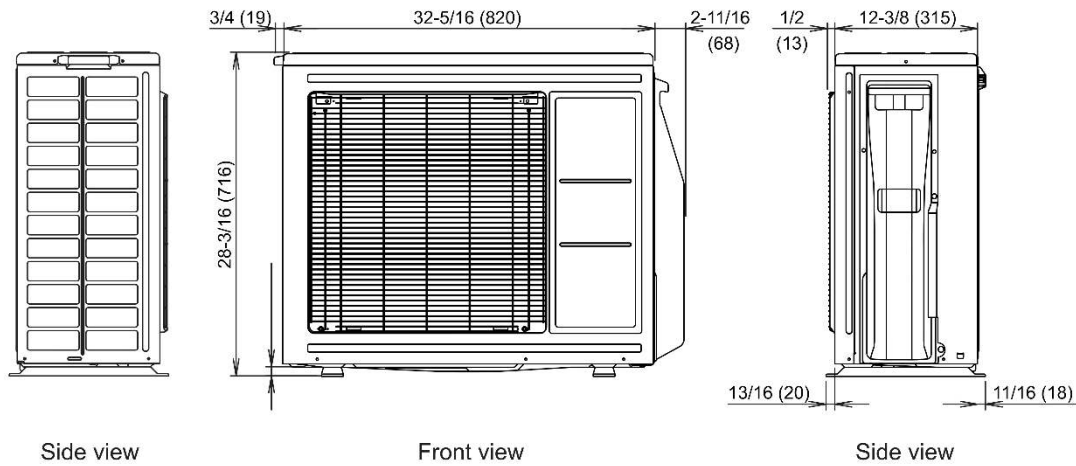
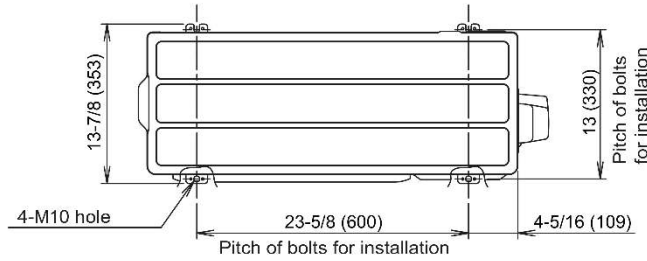
## INDOOR UNIT DIMENSIONS:



# SUBMITTAL - 12KTAP1

## OUTDOOR UNIT DIMENSIONS:

Unit: in (mm)



The Fujitsu logo is a worldwide trademark of Fujitsu General Limited. The Airstage logo and name is a worldwide trademark of Fujitsu General Limited and is a registered trademark in Japan, the USA and other countries or areas. Copyright 2024 Fujitsu General America, Inc. Fujitsu's products are subject to continuous improvements. Fujitsu reserves the right to modify product design, specifications and information in this brochure without notice and without incurring any obligations.