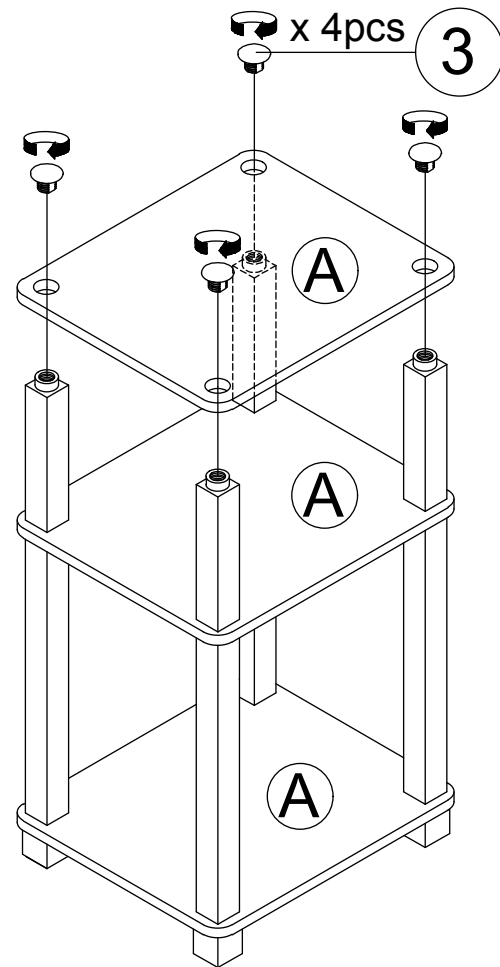
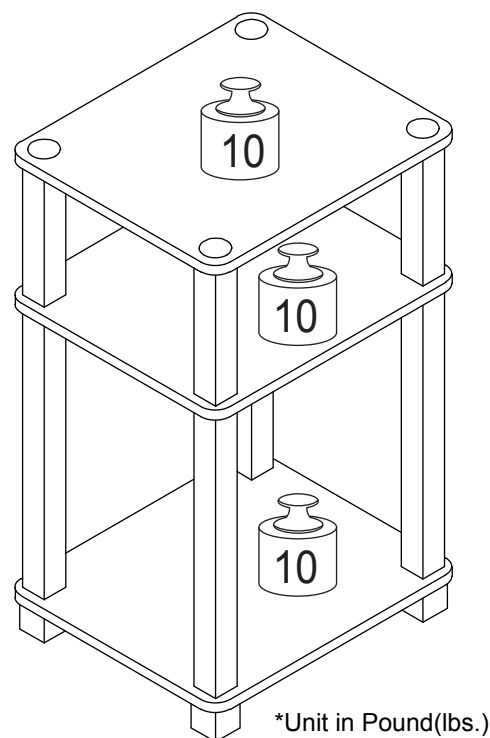


STEP 3



Recommended Maximum Weight



*Unit in Pound(lbs.)

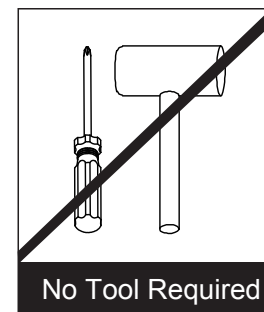
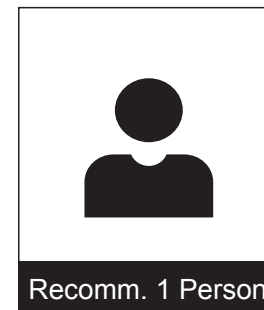
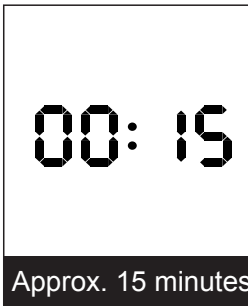


WARNING:

>This unit has been designed to support the maximum loads shown. Exceeding these load limits could cause sagging, instability, product collapse, and/or serious injury.

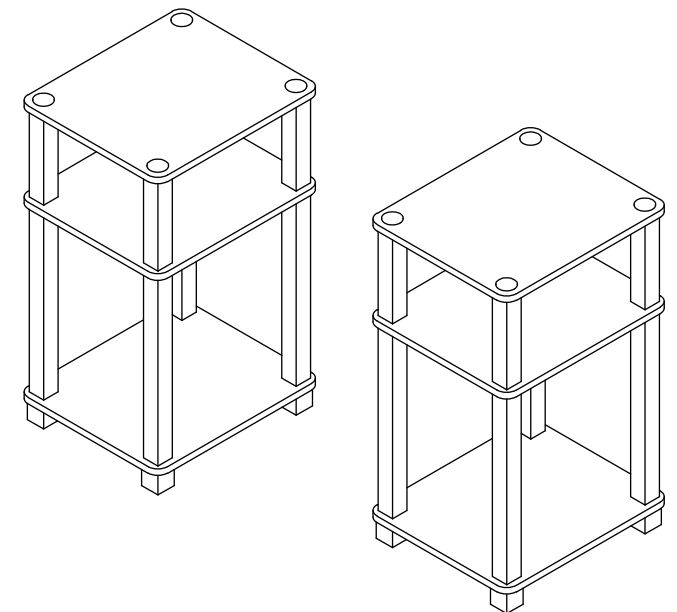
>DO NOT allow children to climb on unit.

> Put heavier items on lower shelves.



Assembly Instruction

Furinno Turn-N-Tube 3-Tier End Table
 MODEL : 221259 (Set of 2)



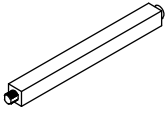
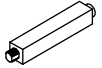


Customer Support

NEED HELP? For replacement requests or product inquiries, please contact our Customer Service Team by emailing us at support@furinno.com. Thank you for selecting Furinno!

www.furinno.com

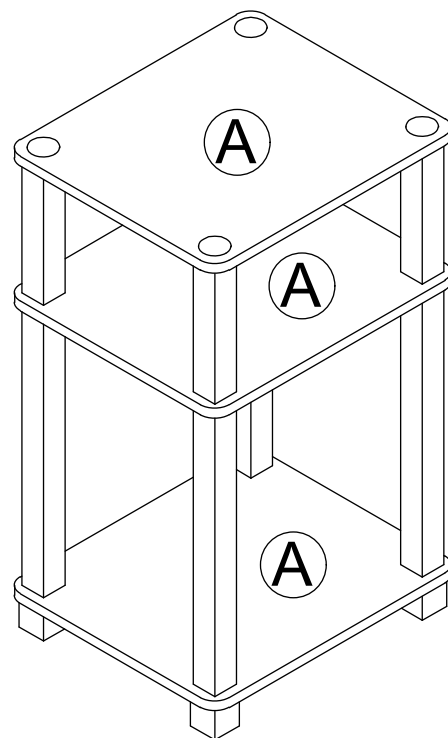


HARDWARE & PARTS LIST

NO	HARDWARE LIST	QTY
1	SQ LONG POLE 	8pcs
2	SQ SHORT POLE 	8pcs
3	TOP CAP 	8pcs
4	SQUARE LEG 	8pcs

NO	PARTS LIST	QTY
A	SHELF PANEL	6pcs

*All the hardware quantity are for two sets.



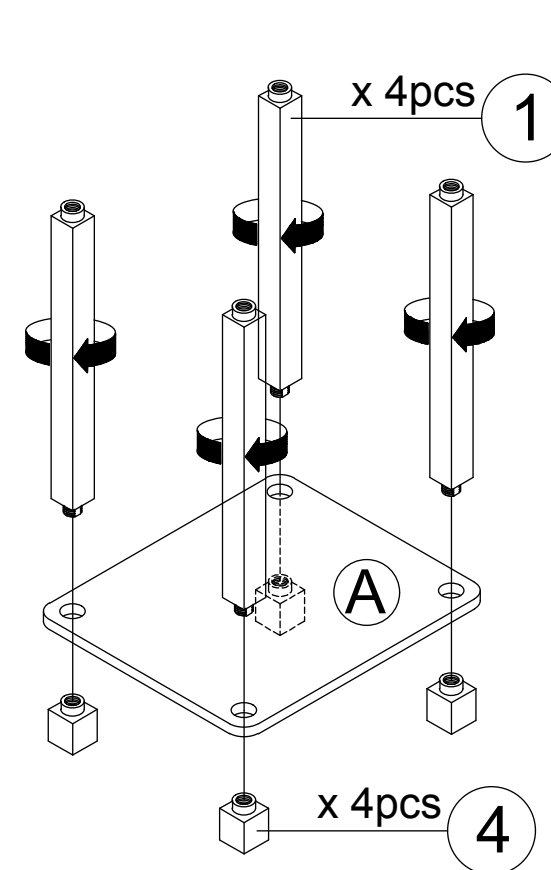
USEFUL HINTS BEFORE YOU START:

1. Read each step carefully before starting.
2. It is important that each step is performed in correct order to avoid difficulties.
3. Identify, sort and count the parts before assembly.
4. Assemble your furniture on packaging cardboard to prevent scratch or damage.
5. Clean the product with mild cleanser using soft damped cloth. Do not use harsh or abrasive cleanser.
6. Using incompatible hardware might cause damage to product.

ASSEMBLY INSTRUCTIONS

BEFORE YOU BEGIN, PLEASE READ ASSEMBLY INSTRUCTIONS CAREFULLY, FOLLOW THEM STEP BY STEP.

STEP 1



STEP 2

