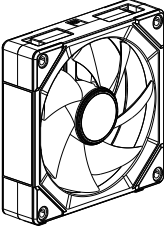
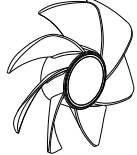
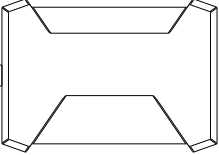

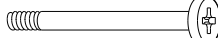
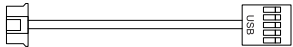

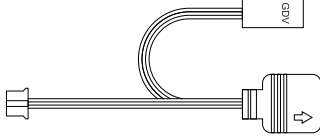
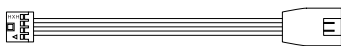


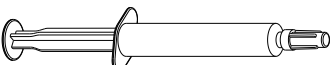


# AEOLUS | P2

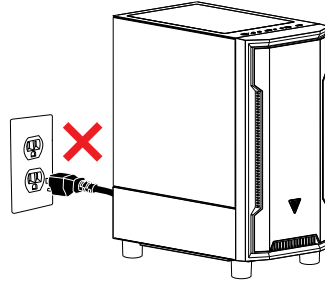
1203U  
Case & Radiator Fan



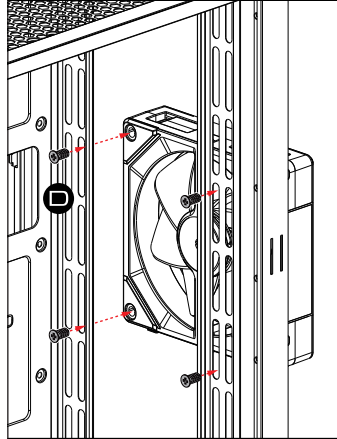
## ▼ Package Contents

- A.  x3
- B.  x3
- C.  x1
- D.  x12
- E.  x12
- F.  x1
- G.  x1
- H.  x1
- I.  x1
- J.  x1
- K.  x4
- L.  x1

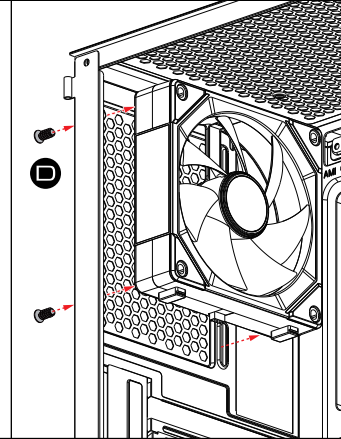
## ▼ Turn off power



## ▼ Front

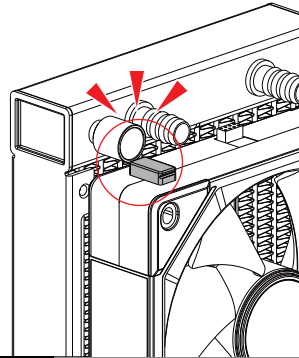


## ▼ Back

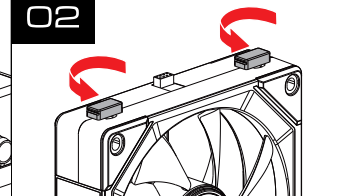


## ▼ Radiator

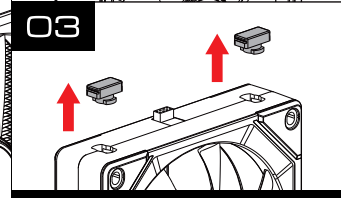
01



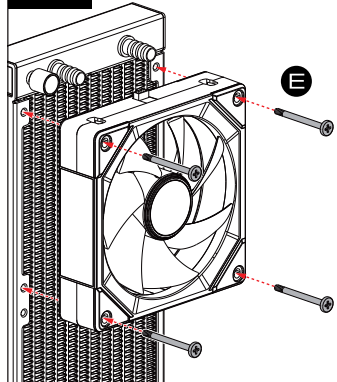
02



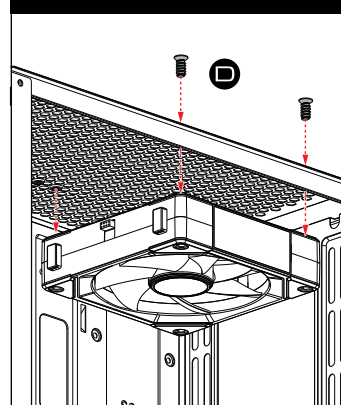
03



04

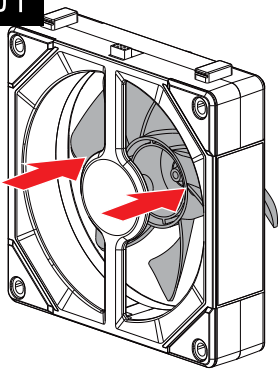


## ▼ Top

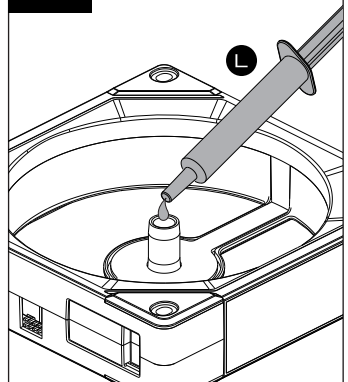


▼ Replace

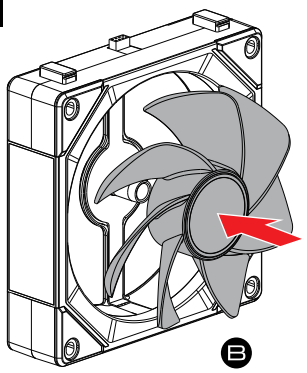
01



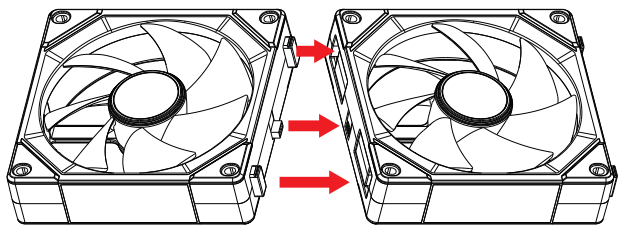
02



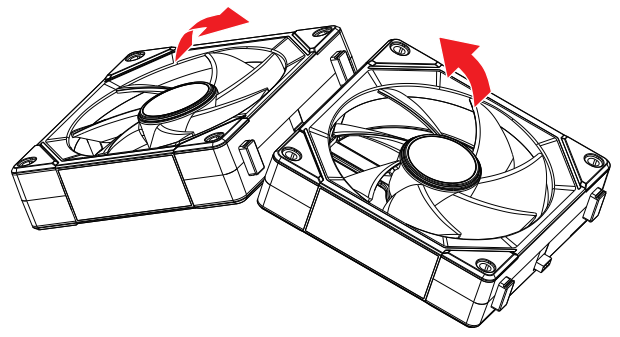
03



▼ Connect



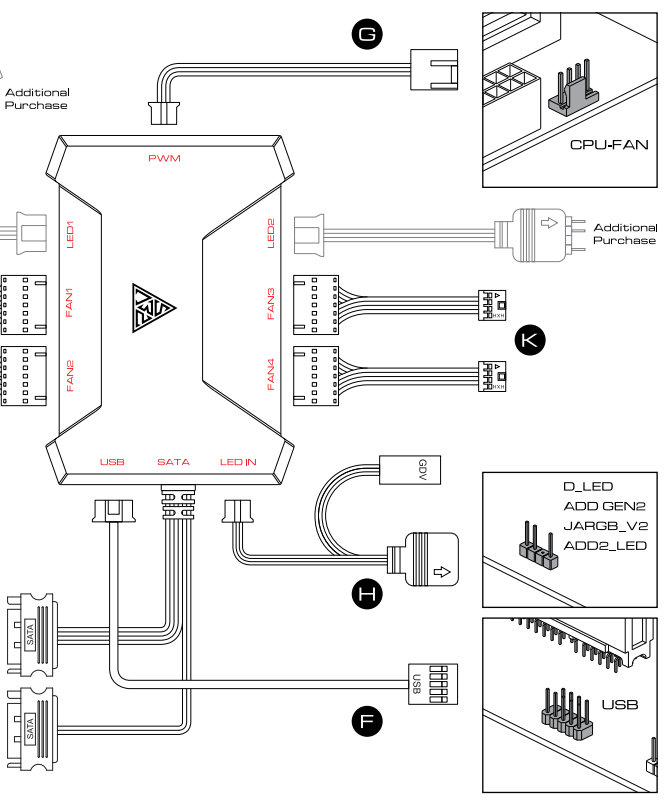
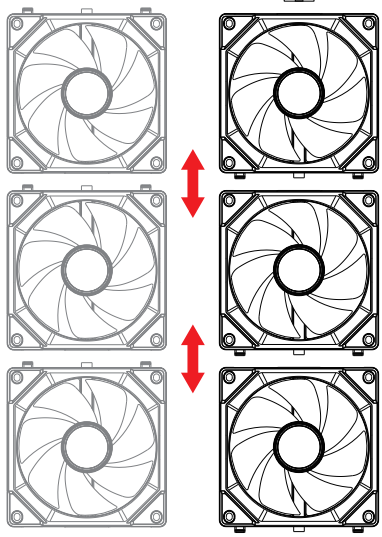
OR



▼ Instruction

6 Fans per Port  
16 Fans in Total

Additional Purchase



D\_LED  
ADD\_GEN2  
JRGB\_V2  
ADD2\_LED

USB