



# Indoor Dynamic Effects Smart Neon-Shape Light Installation Guide

## Easy Set Up



Connect to the Cync App, powered by Savant



Decide on the shape/layout of your Neon-Shape Light



If applicable, trim to desired length and cap end



Prep surface and install



## What's Included

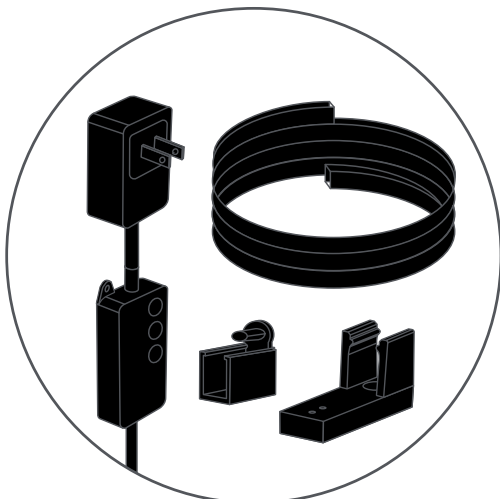
(Devices each sold separately)

### 10 ft. Neon-Shape Light

- 10 ft. Light Strip
- Control Box
- (20) Mounting Clips
- (20) Mounting Screws
- (40) Mounting Nails
- (2) Control Box Mounting Screws
- End Cap
- Layout Template

### 16 ft. Neon-Shape Light

- 16 ft. Light Strip
- Control Box
- (30) Mounting Clips
- (30) Mounting Screws
- (60) Mounting Nails
- (2) Control Box Mounting Screws
- End Cap
- (2) Layout Templates



## What You'll Need

1. Screwdriver (for screw installation)
2. Hammer (for nail installation)
3. Masking tape
4. Sharp pencil or pin
5. Scissors (if applicable)

### Step 1

## Set Up in the CYNCR App

1. Plug in and power on your Neon-Shape Light by pressing the On/Off button on the power supply.
2. Download the Cync App, powered by Savant, on your smartphone.
3. Add your smart lights to the Cync App, then connect to Hey Google or Amazon Alexa voice assistants (sold separately) in the Cync App.

## You Got This!

For detailed setup instructions & design help, follow the step-by-step instructions in the Cync App.

[cyncsupport.gelighting.com](http://cyncsupport.gelighting.com)  
or call 1-844-302-2943

Step 2

# Prep The Surface

Clean and dry surface.

**Note: Make sure surface is dry and free of oil contamination. For best results install strip in temperatures above 50°F/10°C**

Step 3

# Layout Your Design

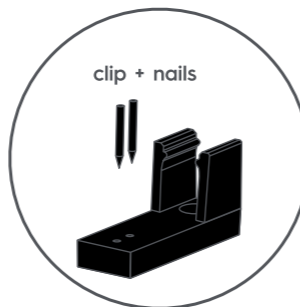
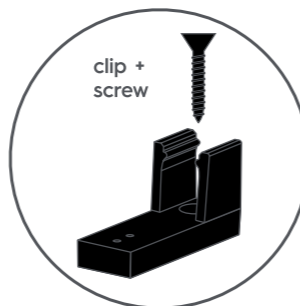
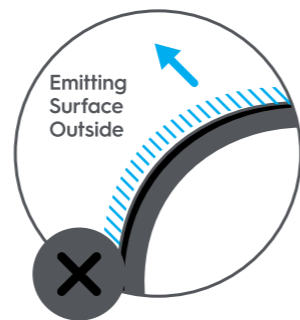
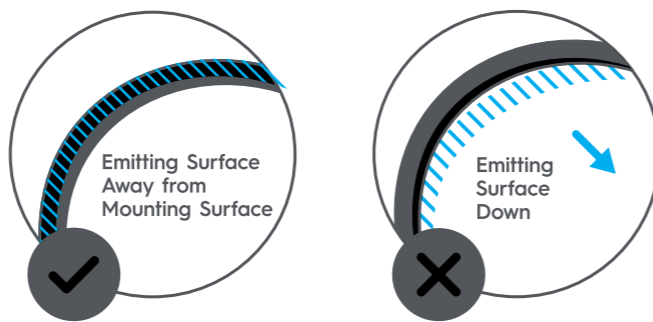
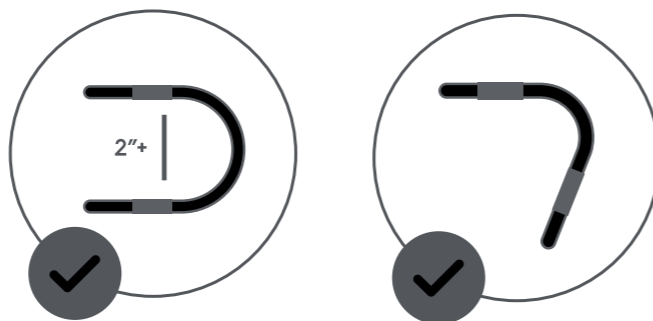
Create your own unique artwork or choose a pre-made design available in the Cync App.

If you are creating your own design, skip to **Step 4**. If you are using a pre-made design, **follow these steps:**

1. Determine the location to install your Neon-Shape Light and select your design in the Cync App. Unfold the included Layout Template and tape to the wall using masking tape.
2. Use the grid layout to identify each mounting clip location. Gently poke through the Layout Template with a sharp pencil or pin to mark the clip placement.
3. Remove the Layout Template and go to the next step to install clips where pencil or hole marks are visible.

## Neon-Shape Bending & Clip Placement Guidelines

Caution: Minimum bending distance is 2-in.



Step 3

# Install Your Neon-Shape Light

1. When using your own design, follow the Bending & Clip Placement Guidelines on right side of the page.
2. Recommended installation procedure:

**Note: The removable tape is optional and helps hold the clip in place before install. Proper installation must include the use of nails or screws.**

- **Mounting with Screws:** Confirm clip location and orientation. If using removable tape, remove tape backing and adhere to wall. Insert screw into clip and screw into the wall. Use a 1/16-in. bit if pre-drilling is required. Repeat for each clip.
  - **Mounting with Nails:** Confirm clip location and orientation. If using removable tape, remove tape backing and adhere to wall. Insert nails into small clip holes and use a hammer to gently tap into the wall. Repeat for each clip.
3. Position the the Neon-Shape Light with the light emitting surface away from the mounting surface. Mount the Neon-Shape Light into the clips by snapping the strip into each clip. Step back and look at your design. To reposition the Neon-Shape Light, slide the strip through each clip to the desired position.

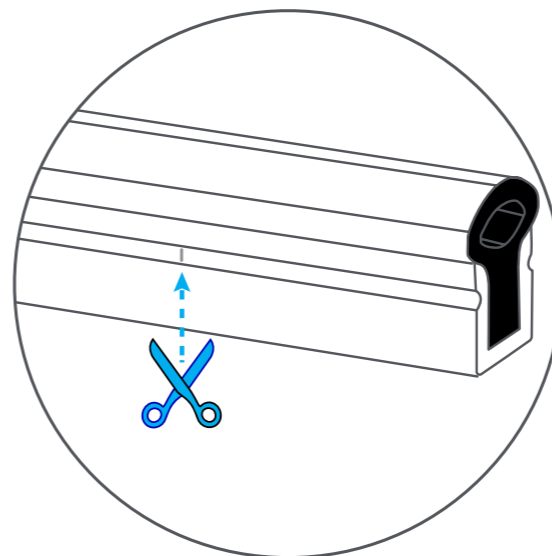
Final Step

# Trim To Size & Mount Control Box (If desired)

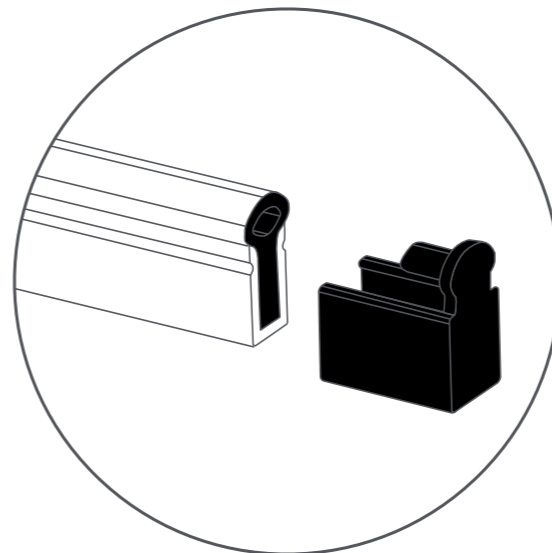
1. After the strip is installed, determine if excess length needs to be trimmed.
2. With your Neon-Shape Light **unplugged**, safely cut where the trim points are indicated in black. The light can be trimmed every 2.8-in.

**NOTE: Cutting anywhere else will permanently damage the Neon-Shape Light.**

▲ Make sure the Neon-Shape Light is not plugged in at the wall when cutting.



3. Insert the end cap on the end of the Neon-Shape Light.

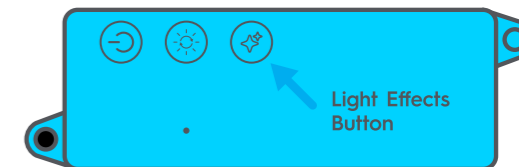


4. If desired, mount the control box to the wall by inserting the provided screws into the control box holes and screwing into the wall.

# Manually Enable Light Shows

(If applicable)

1. Unplug, then plug your Neon-Shape Light back in to detect its new length. This is important for Light Effects.
2. Cycle through light show by pressing the Light Effects button.



# Congratulations!

You've completed the Smart Switch installation.

# Enable Your Voice Assistant

(If desired)

Connect to your Amazon Alexa or Hey Google voice assistants in the CYNCR App.

Then try this...

**Alexa, turn off the living room. Hey Google, turn on the lights.**

**Alexa, turn on the bedroom. Hey Google, good morning.**

**Alexa, set kitchen to 50% Hey Google, I'm leaving.**

---

# Additional Information and Warnings

## FCC Compliance Statement:

**▲ Warning: Changes or modifications to this unit not expressly approved by the party responsible for compliance could void the user's authority to operate the equipment.**

Note: This equipment has been tested and found to comply with the limits for a Class B digital device, pursuant to Part 15 of the FCC Rules. These limits are designed to provide reasonable protection against harmful interference in a residential installation. This equipment generates, uses and can radiate radio frequency energy and, if not installed and used in accordance with the instructions, may cause harmful interference to radio communications.

However, there is no guarantee that interference will not occur in a particular installation. If this equipment does cause harmful interference to radio or television reception, which can be determined by turning the equipment off and on, the user is encouraged to try to correct the interference by one or more of the following measures:

- Reorient or relocate the receiving antenna.
- Increase the separation between the equipment and receiver.
- Connect the equipment into an outlet on a circuit different from that to which the receiver is connected.
- Consult the dealer or an experienced radio/TV technician for help.

The device must not be co-located or operating in conjunction with any other antenna or transmitter. This device complies with Part 15 of the FCC Rules. Operation is subject to the following two conditions:

(1) this device may not cause harmful interference, and (2) this device must accept any interference received, including interference that may cause undesired operation.

## FCC RF Radiation Exposure Statement:

To maintain compliance with the FCC's RF exposure guidelines, place the product at least 20cm from nearby persons.

## IC Statement:

This device complies with RSS247 of Industry Canada. Cet appareil se conforme à RSS247 de Canada d'Industrie.

This device complies with Industry Canada license-exempt RSS standard(s). Operation is subject to the following two conditions:

(1) this device may not cause interference, and (2) this device must accept any interference, including interference that may cause undesired operation of the device.

Appareils radio exempts de licence. Son fonctionnement est sujet aux deux conditions suivantes: (1) le dispositif ne doit pas produire de brouillage préjudiciable, et (2) ce dispositif doit accepter tout brouillage reçu, y compris un brouillage susceptible de provoquer un fonctionnement indésirable.

This equipment complies with IC RSS-102 radiation exposure limits set forth for an uncontrolled environment. This transmitter must be installed to provide a separation distance of at least 20cm from all persons and must not be collocated or operating in conjunction with any other antenna or transmitter.

Cet équipement est conforme aux limites d'exposition aux rayonnements IC RSS-102 définies pour un environnement non contrôlé. Cet émetteur doit être installé pour fournir une distance de séparation d'au moins 20 cm de toutes les personnes et ne doit pas être colocalisé ou fonctionner en conjonction avec une autre antenne ou émetteur.

---

## Like your new Indoor Dynamic Effects Neon-Shape Light? Share your creations!

Upload a photo or video of your space with your entertainment lights to inspire others at [gelighting.com/cync](https://gelighting.com/cync).

