

INSTRUCTION MANUAL

shoe cabinet

10CZYCSCT04-WH

BEFORE STARTING

Before Using Product

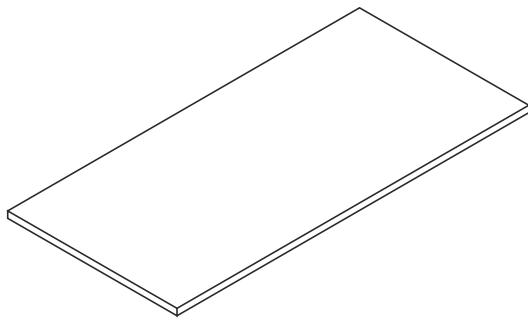
- Read each step carefully before starting. It is very important that each step is performed in the correct order. If these steps are not followed in sequence, assembly difficulties will occur.
- Make sure all parts are included.
- Work in a spacious area and near where the unit will be used, preferably on a carpet, or use a piece of the cardboard packaging to protect your floor and product.
- For a smooth assembly process, we suggest you keep a lite tightness for all the screws during assembly. After the whole product is assembled, firmly tighten all the screws.

WARNING

- Do not allow children to climb on unit.
- Avoid sharp objects or corrosive chemicals to prevent damage to the product.
- During assembly, keep parts and packaging materials away from children and pets as there could be potential injury and choking hazards.
- Please make sure that all objects are removed before moving the assembled unit.
- The unit must be team lifted, not dragged or pushed. Failure to do so could cause instability, product collapse, and/or serious injury.
- Be careful when using power tools to assemble your furniture. Power tools may strip or damage the parts.

PART LIST

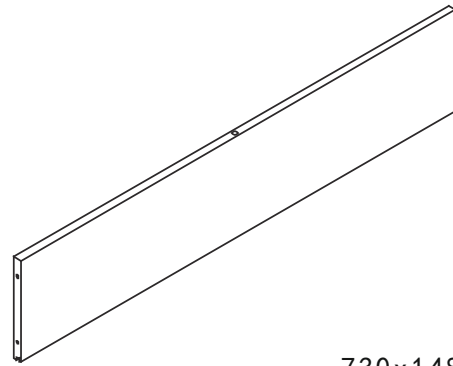
1



x1

800x385x15mm

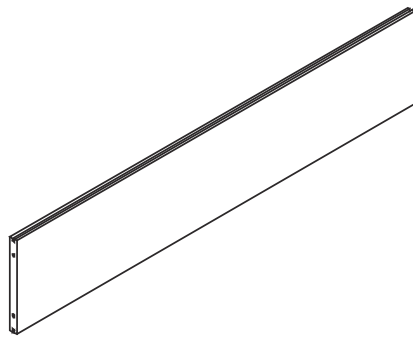
2



x1

730x148x12mm

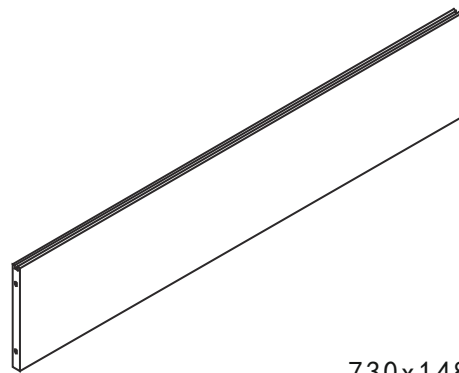
3



x1

730x148x12mm

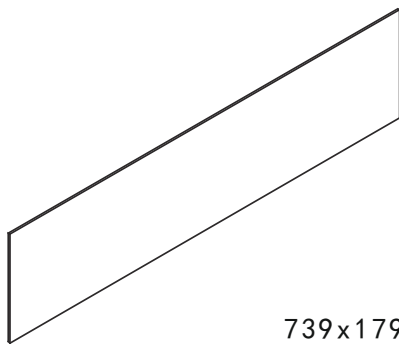
4



x1

730x148x12mm

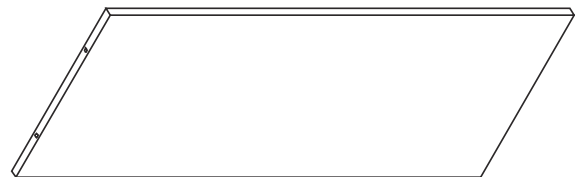
5



x2

739x179.5x3mm

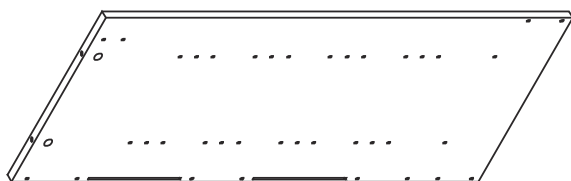
6



x1

900x364x15mm

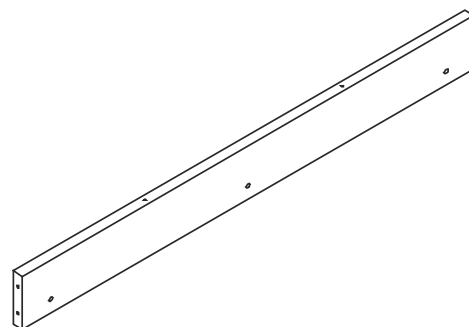
7



x1

900x364x15mm

8

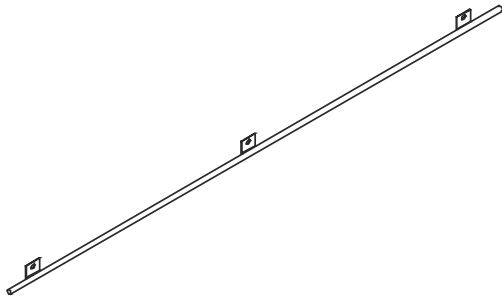


x1

730x70x12mm

PART LIST

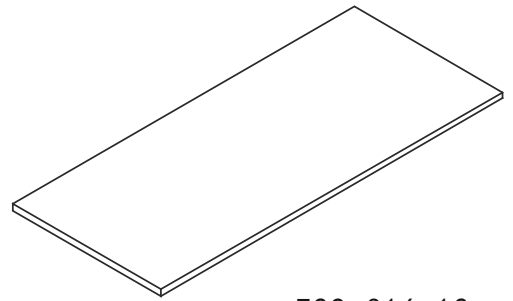
9



x1

725x30x28mm

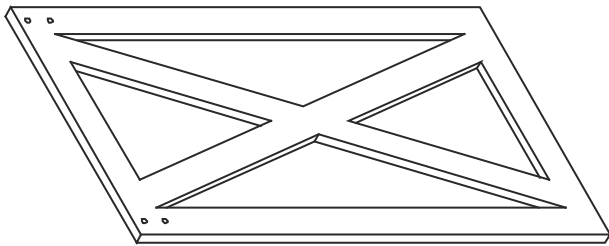
10



x4

729x316x12mm

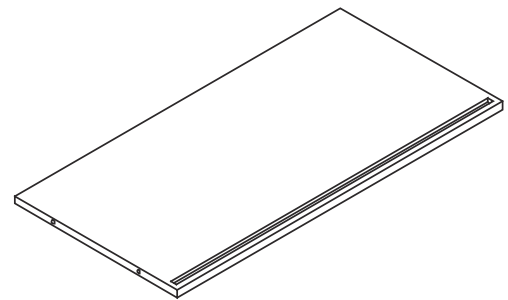
11



x1

705x395x15mm

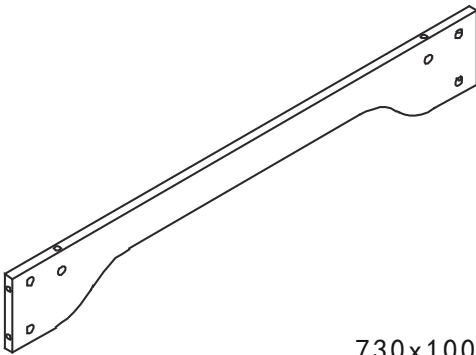
12



x1

730x363x15mm

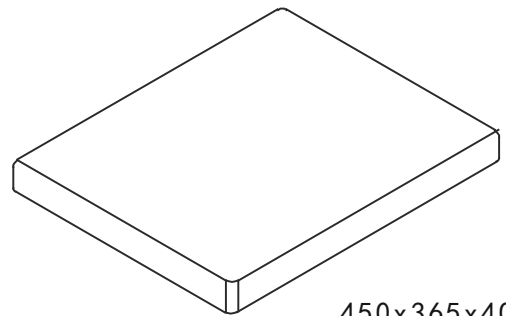
13



x2

730x100x15mm

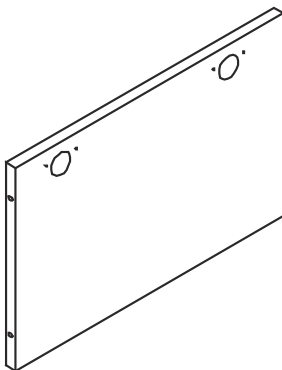
14



x1

450x365x40mm

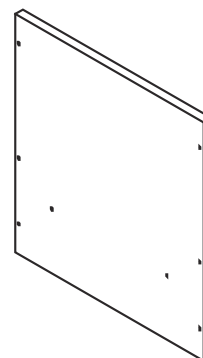
15



x1

435x285x15mm

16

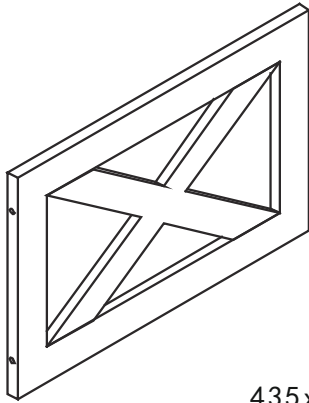


x1

400x364x15mm

PART LIST

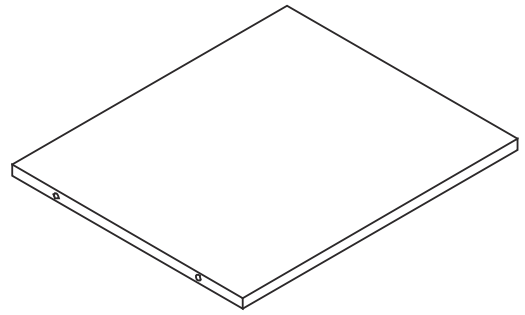
17



x1

435x285x15mm

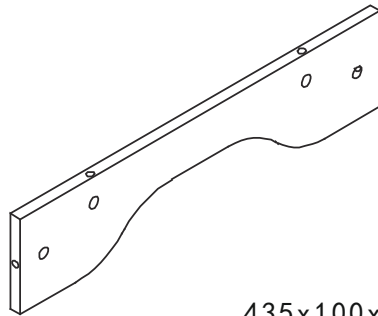
18



x1

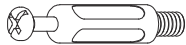


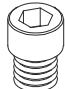


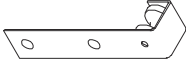
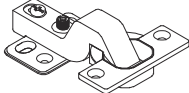


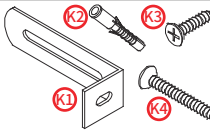
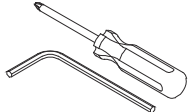
364x435x15mm

19

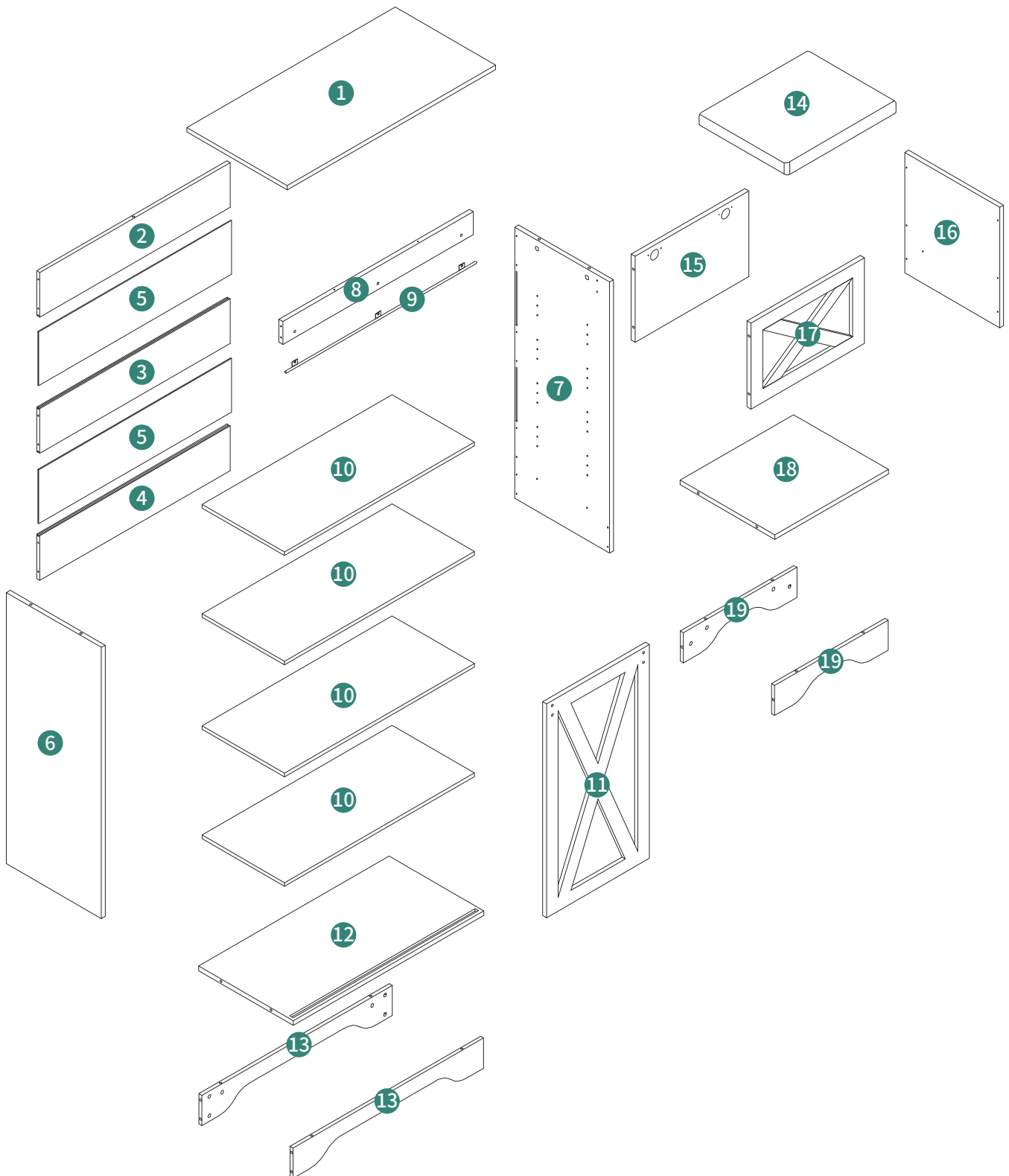


x2

435x100x15mm

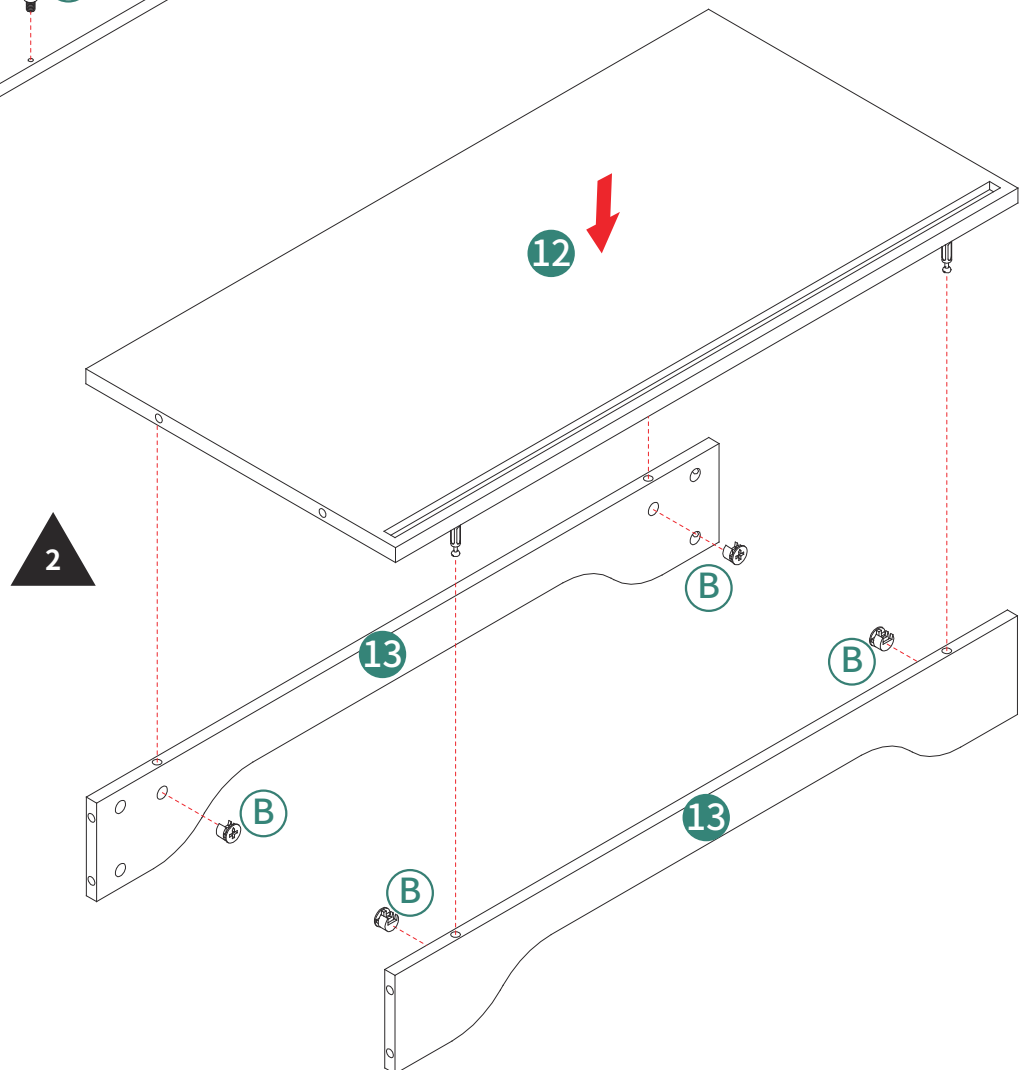
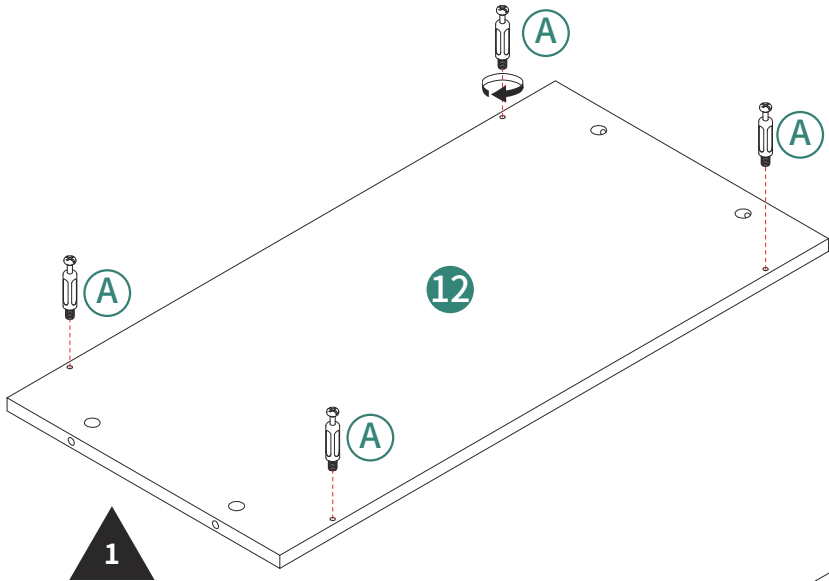
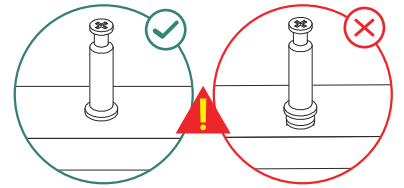
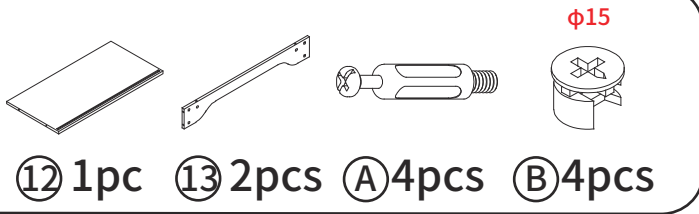
A		X59	B	 $\phi 15$	X46
C	 $\phi 12$	X13	D		X2
E	 M6*25mm	X7	F		X7
G		X2	H		X2
I	 ST4*12mm	X12	J		X16
K	 ST4*12mm ST4*38mm	X2	L		X1

ASSEMBLY INSTRUCTION



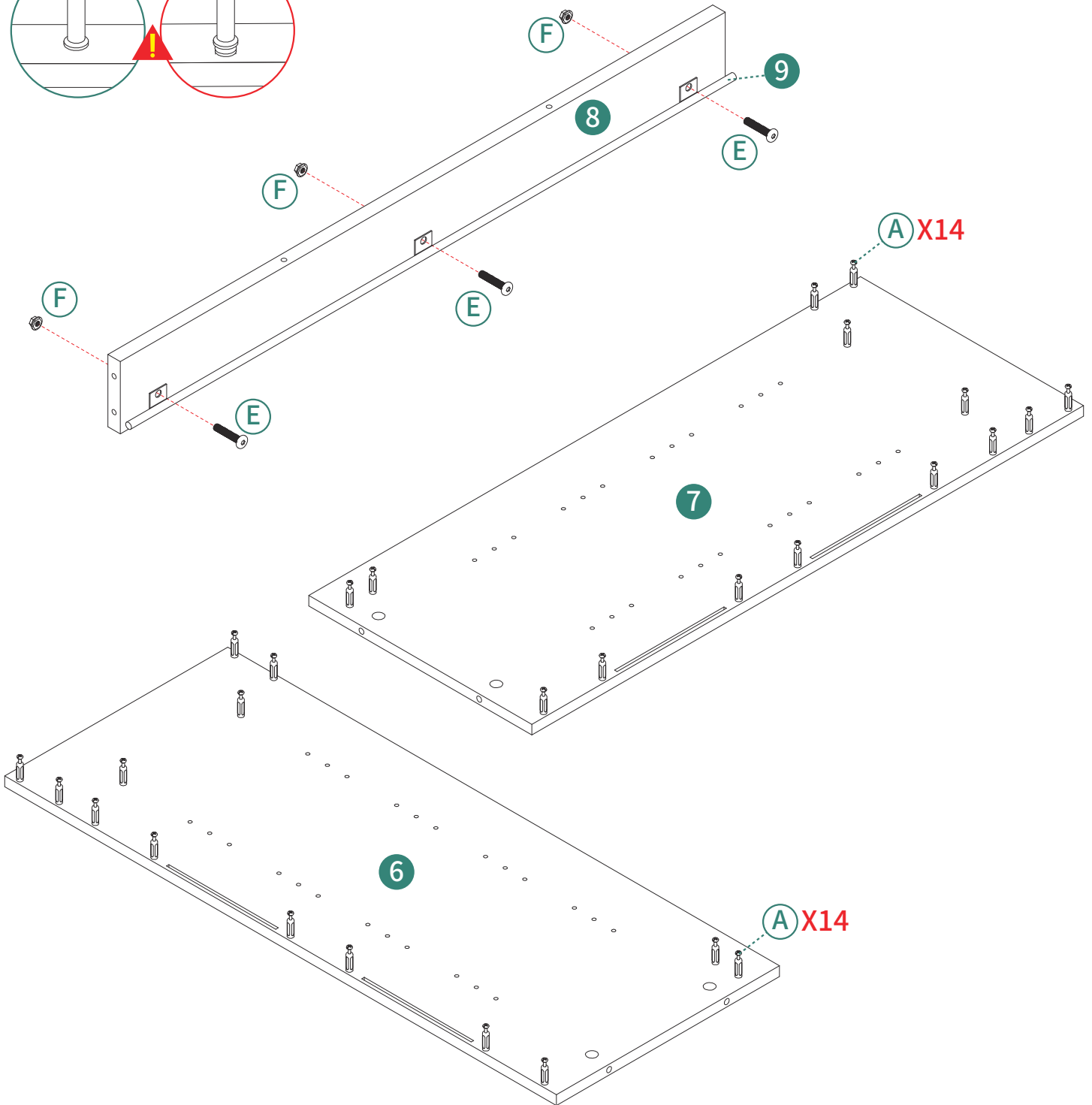
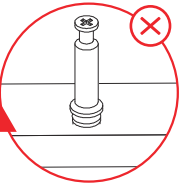
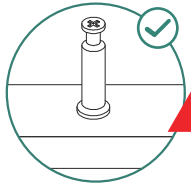
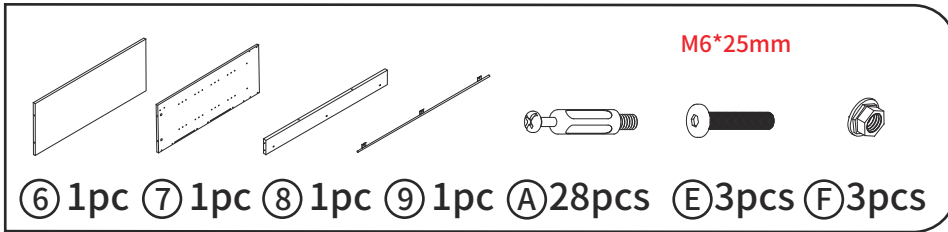
ASSEMBLY INSTRUCTION

1



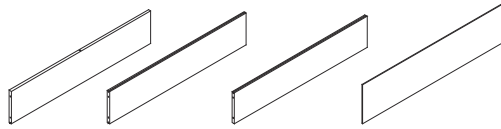
ASSEMBLY INSTRUCTION

2



ASSEMBLY INSTRUCTION

3

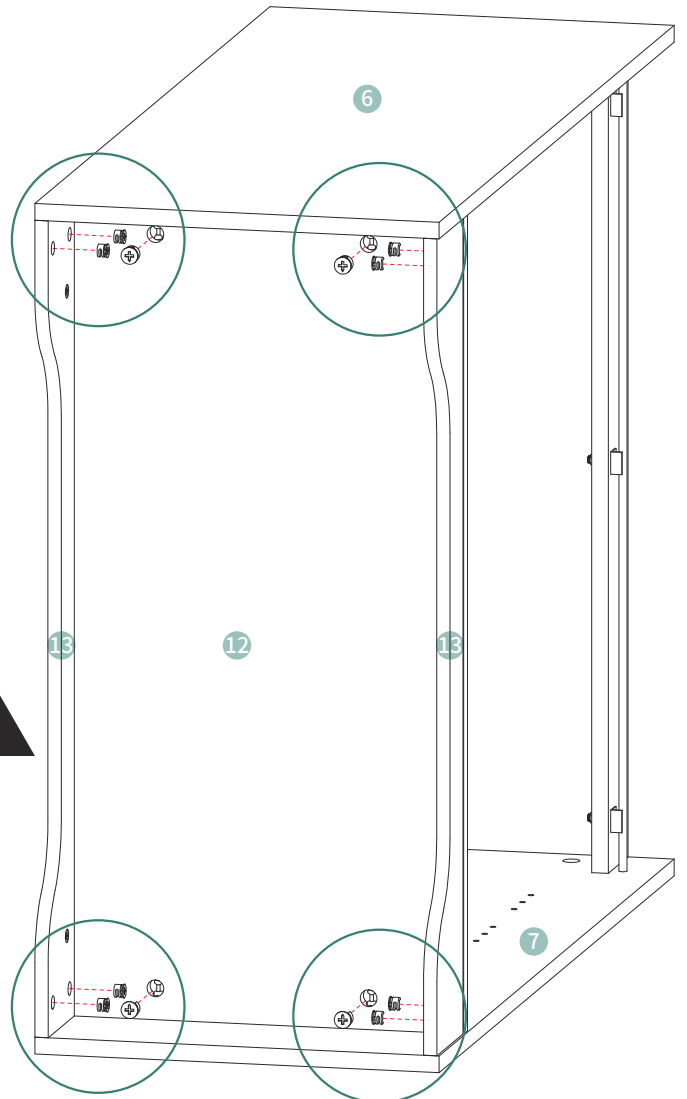
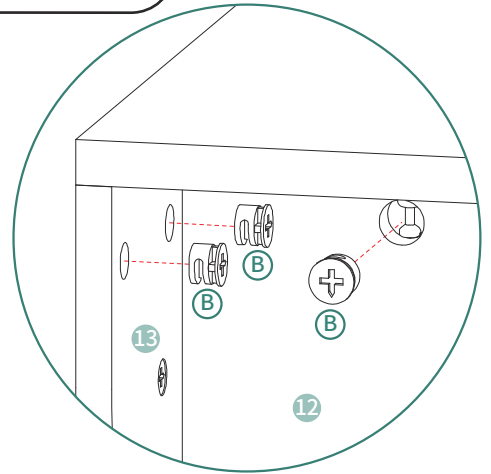
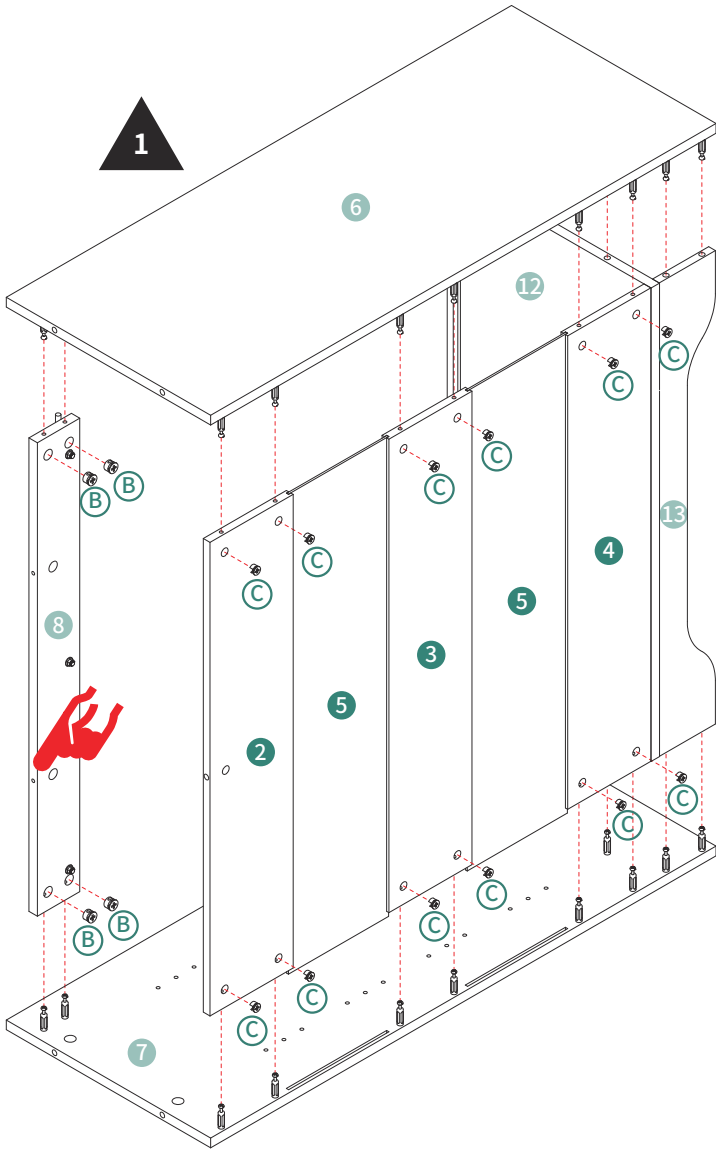


φ15

φ12



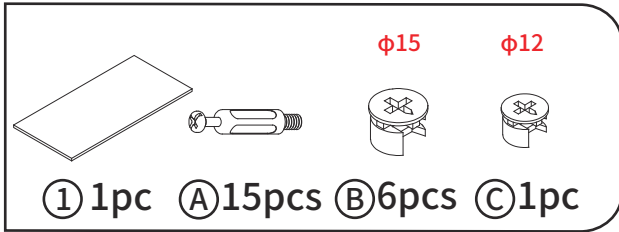
② 1pc ③ 1pc ④ 1pc ⑤ 2pcs ⑧ 16pcs ⑨ 12pcs



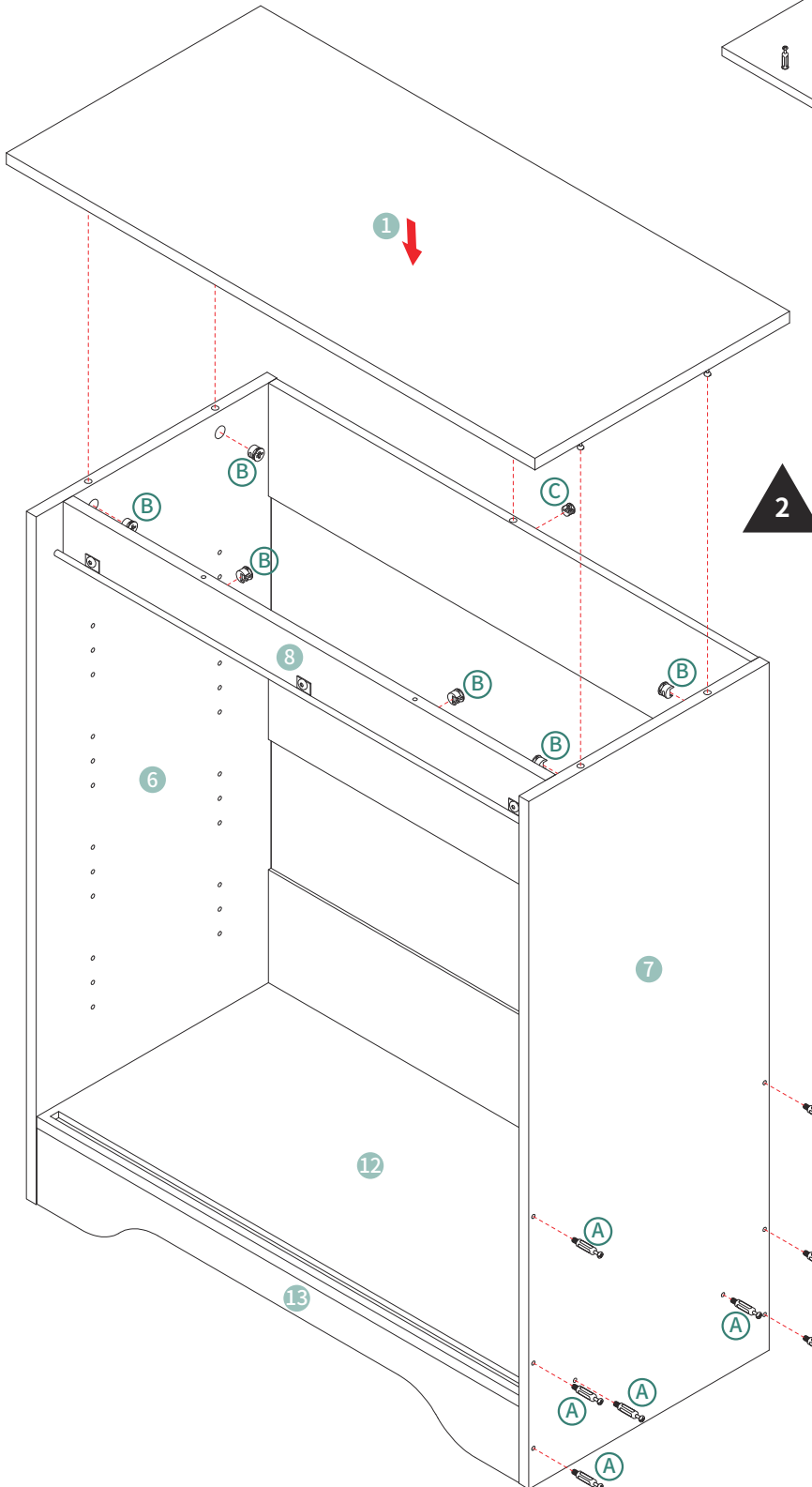
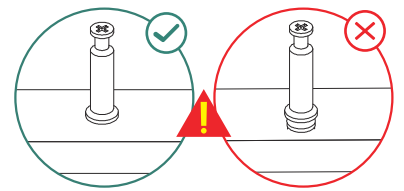
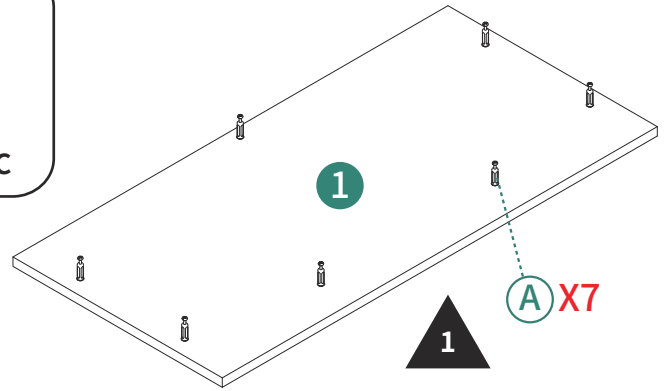
ASSEMBLY INSTRUCTION

4

$\phi 15$ $\phi 12$



① 1pc ① A 15pcs ② B 6pcs ③ C 1pc

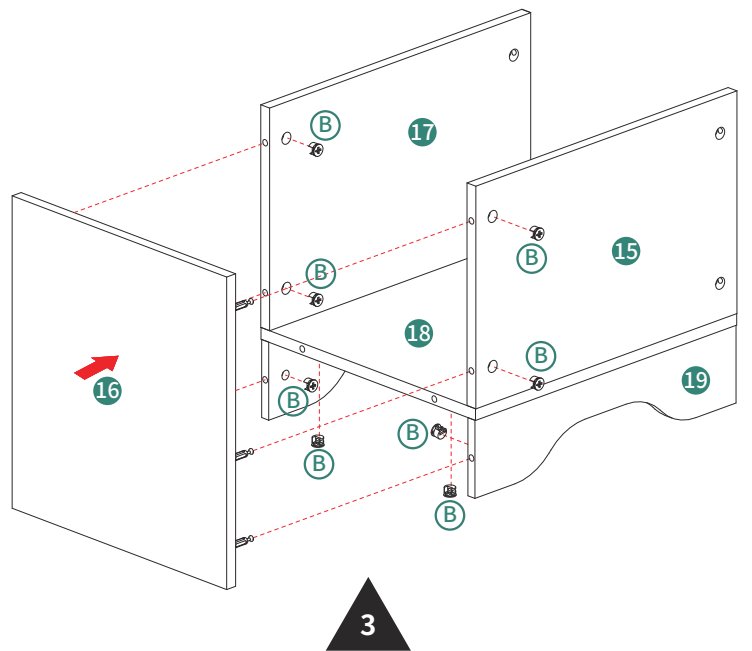
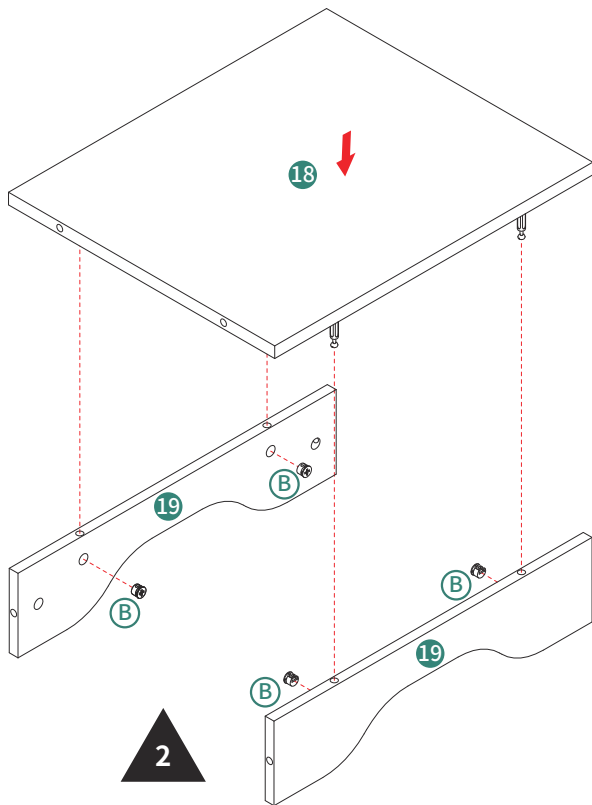
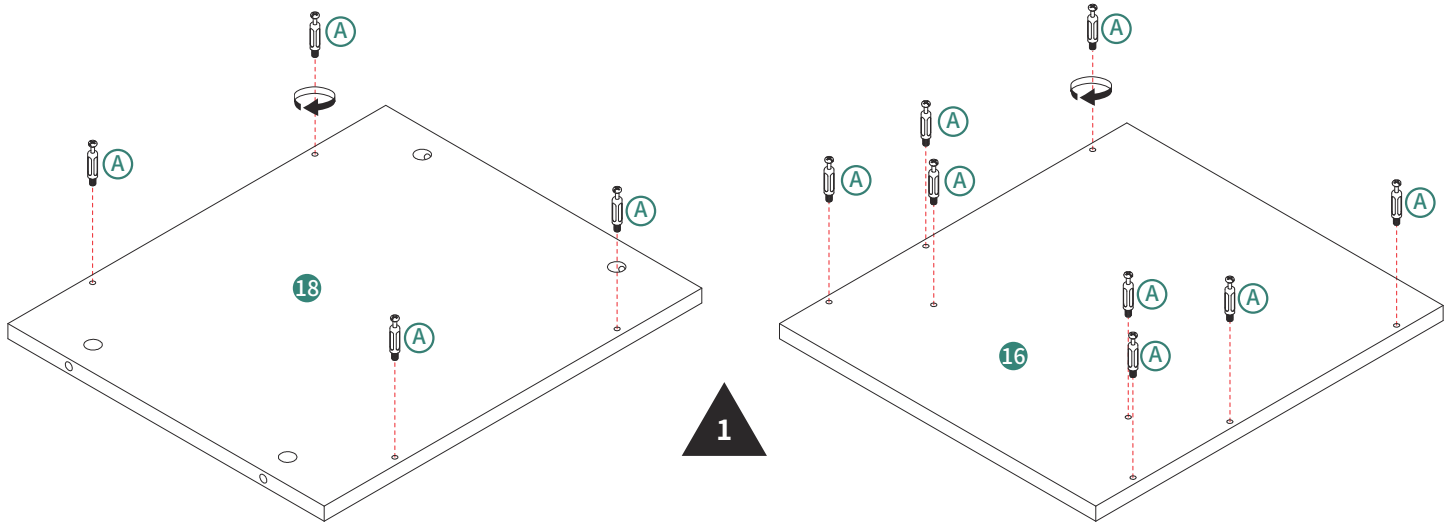
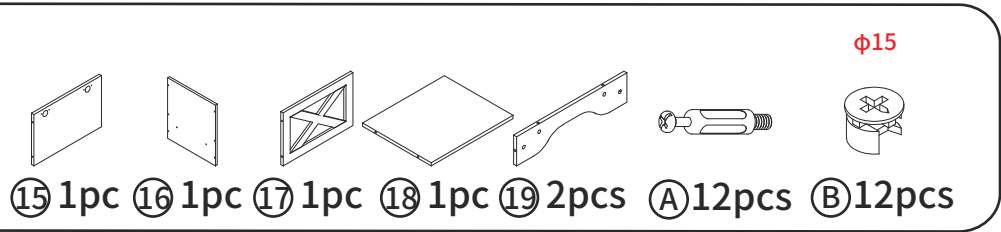


2

3

ASSEMBLY INSTRUCTION

5



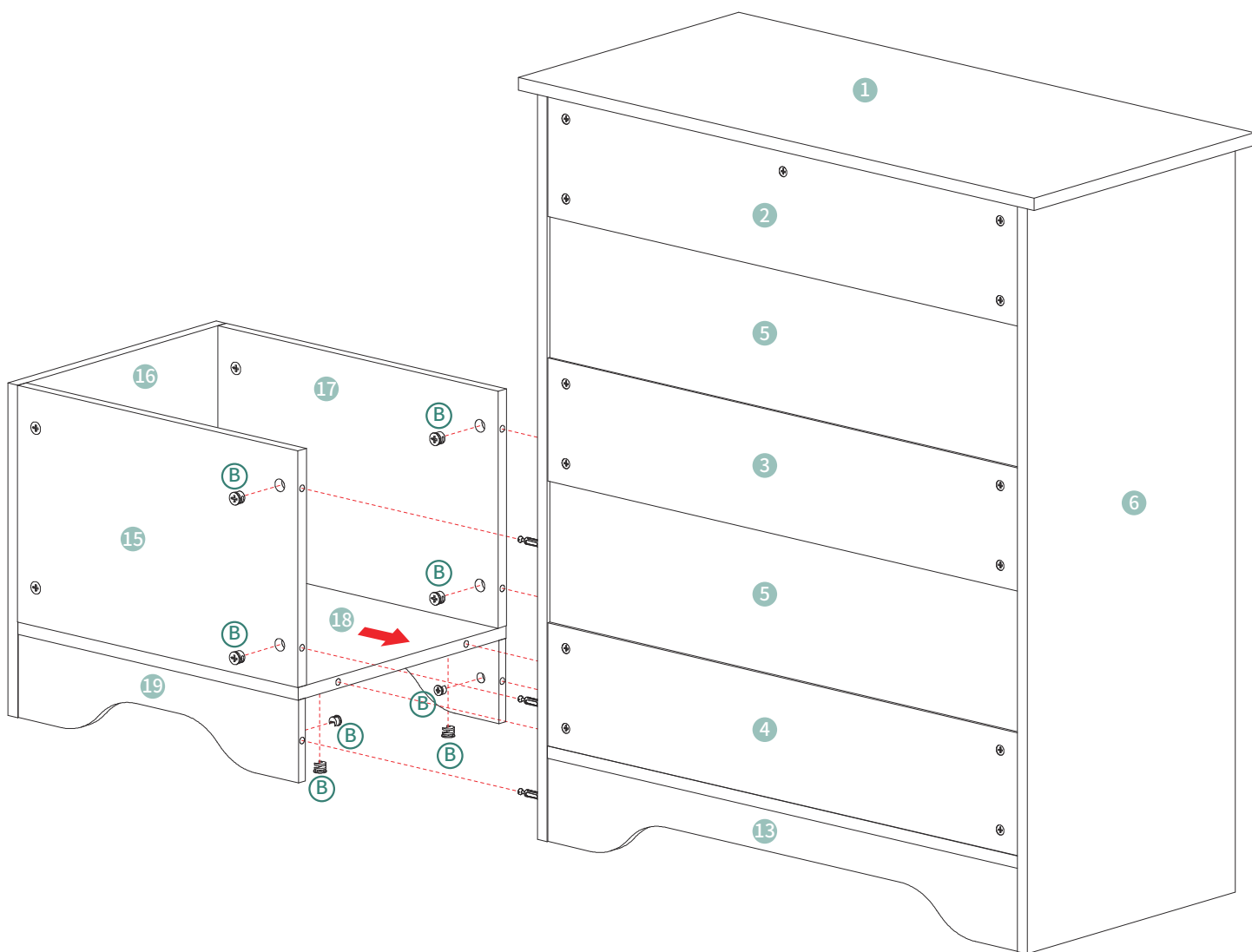
ASSEMBLY INSTRUCTION

6

φ15

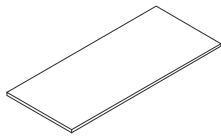


ⓑ8pcs

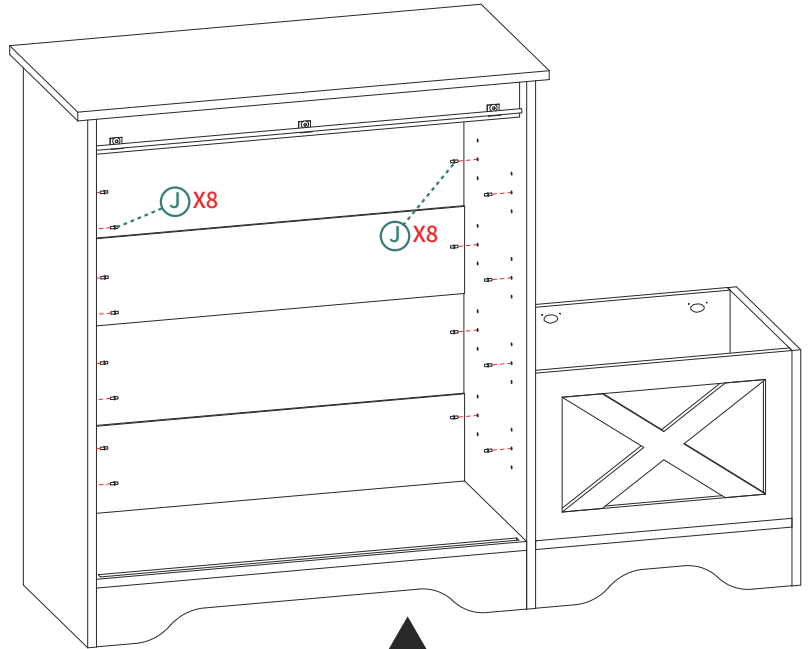
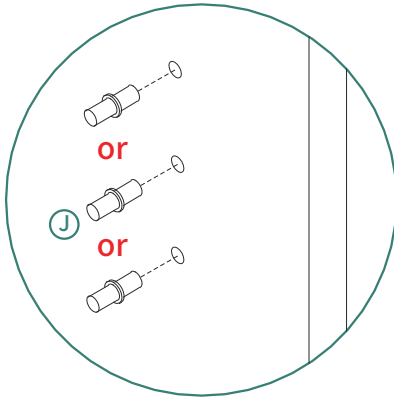


ASSEMBLY INSTRUCTION

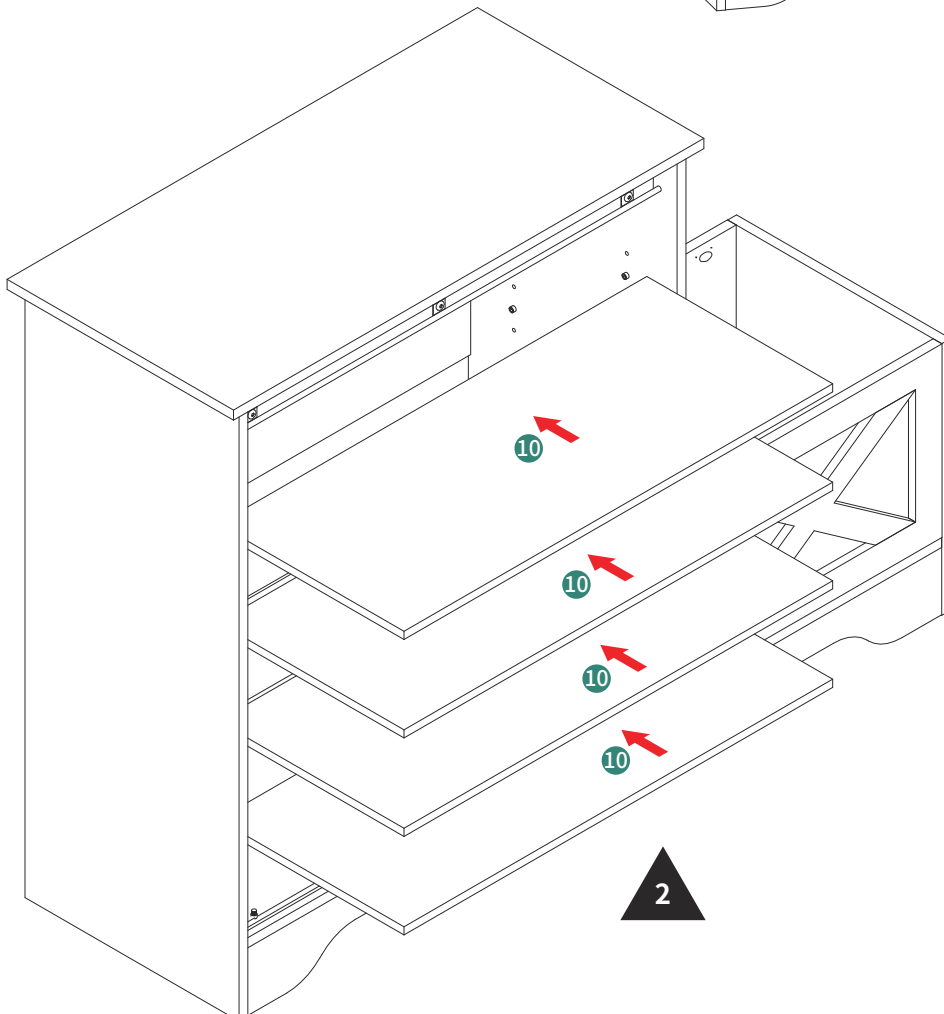
7



⑩ 4pcs ① J 16pcs



1

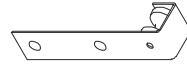
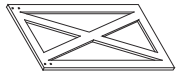


2

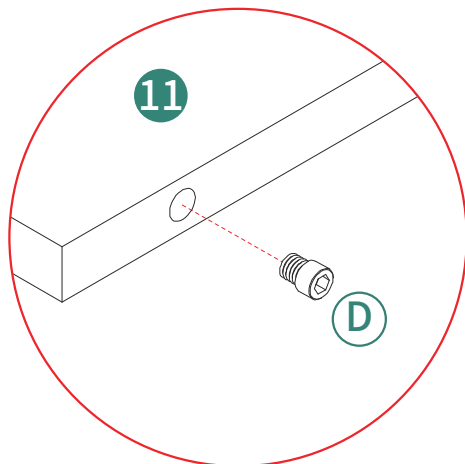
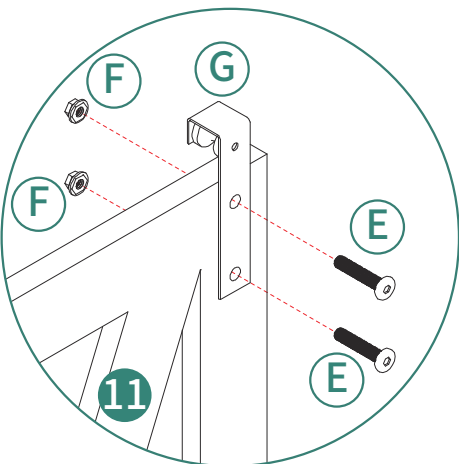
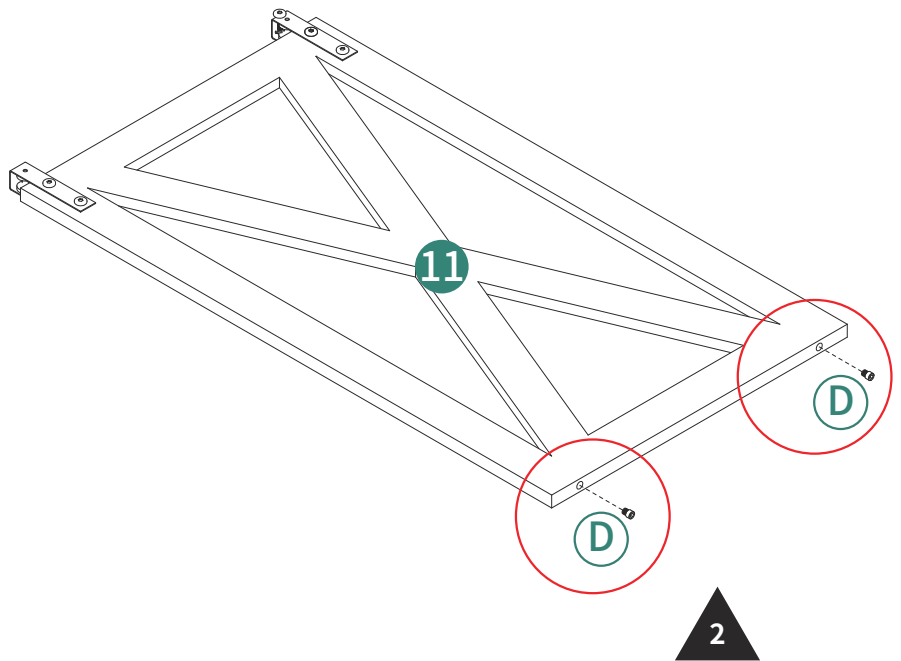
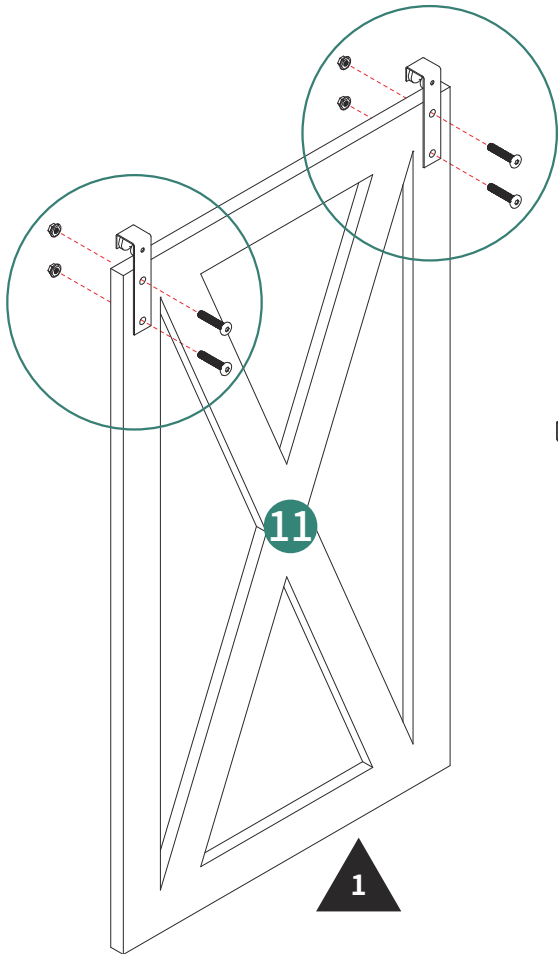
ASSEMBLY INSTRUCTION

8

M6*25mm

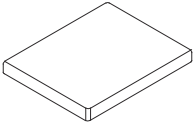
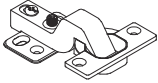



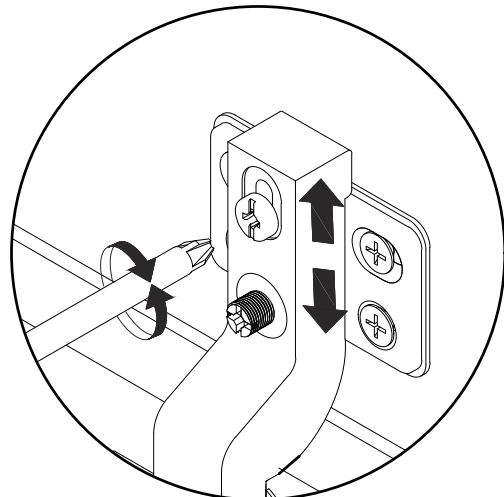
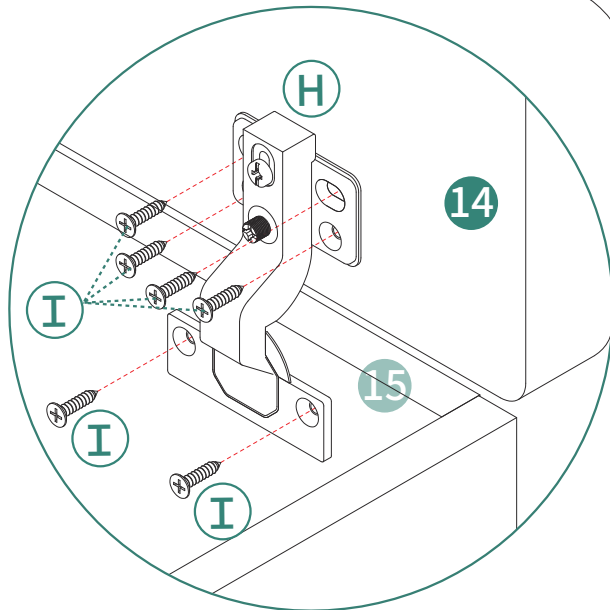
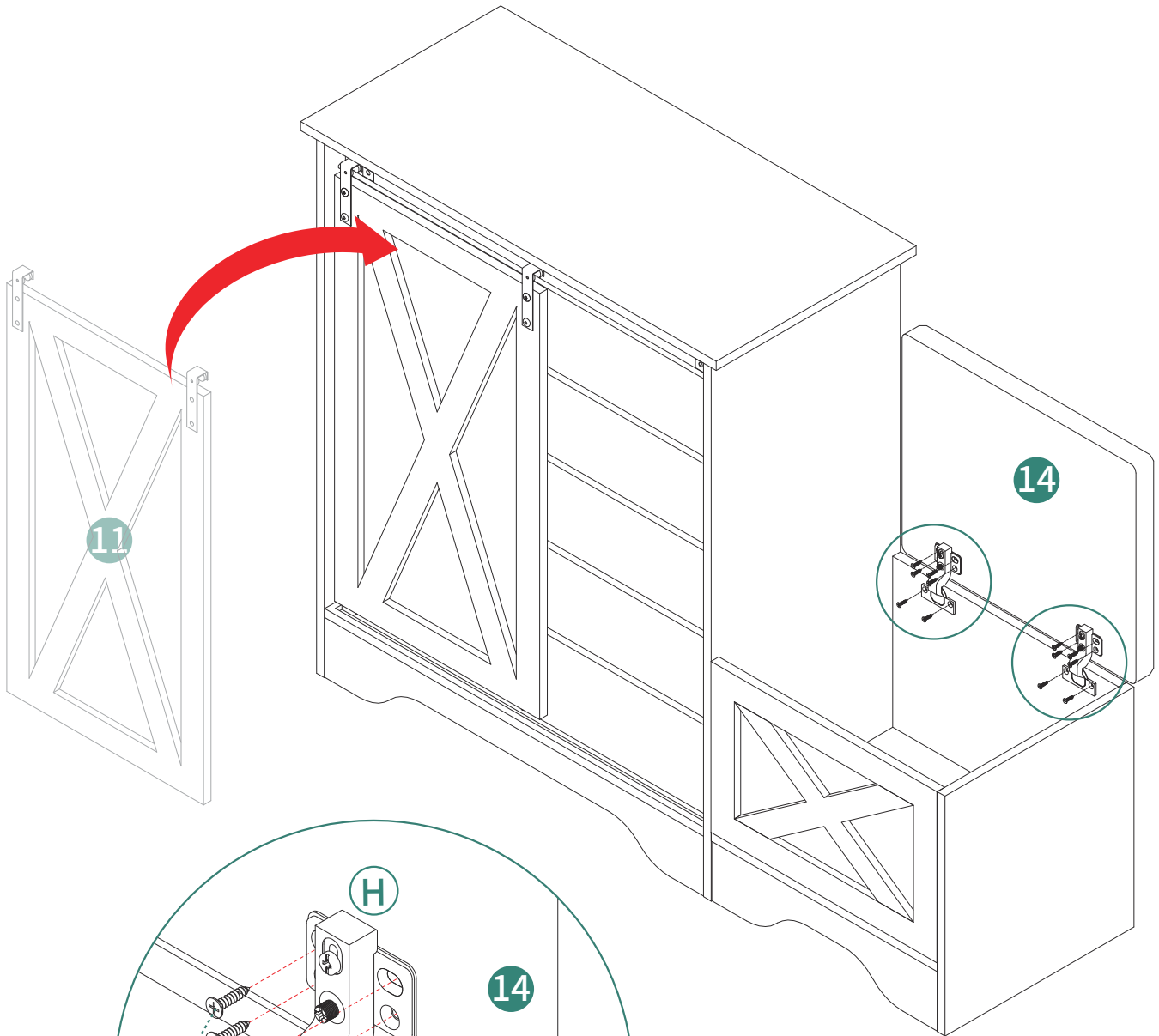
⑪ 1pc ① 2pcs ② 4pcs ③ 4pcs ④ 2pcs



ASSEMBLY INSTRUCTION

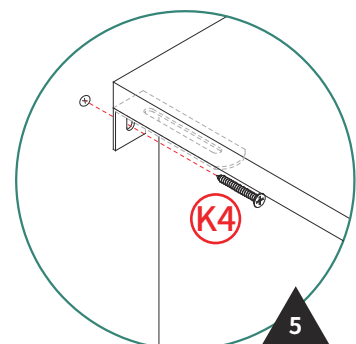
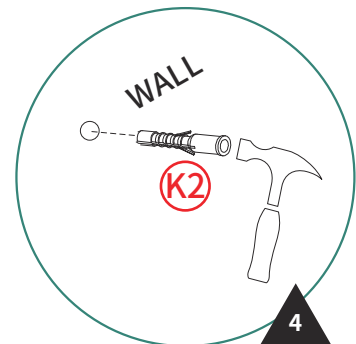
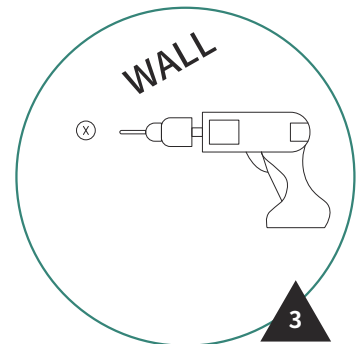
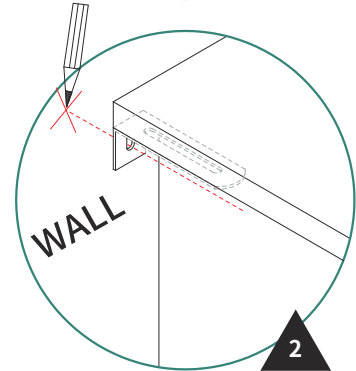
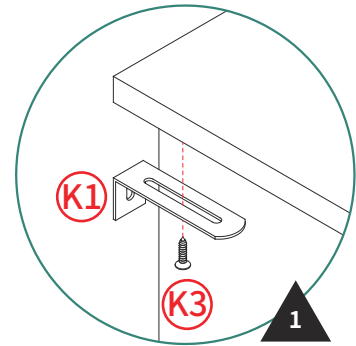
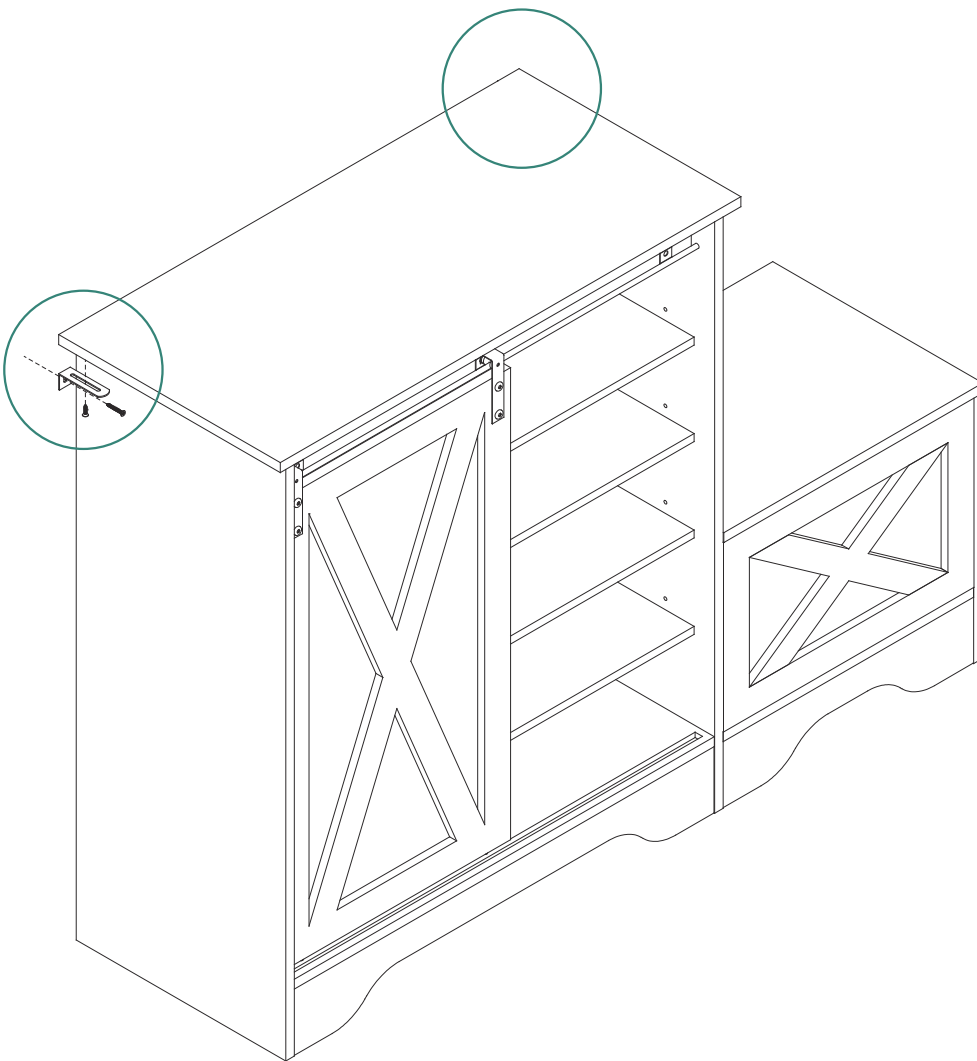
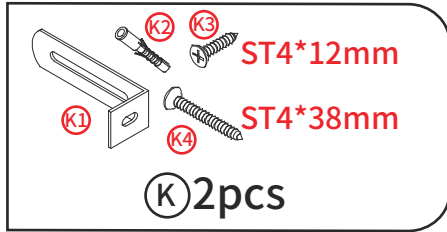
9

-  ⑭ 1pc
-  ⑨ 2pcs
-  M4*12mm ① 12pcs



ASSEMBLY INSTRUCTION

10



11

