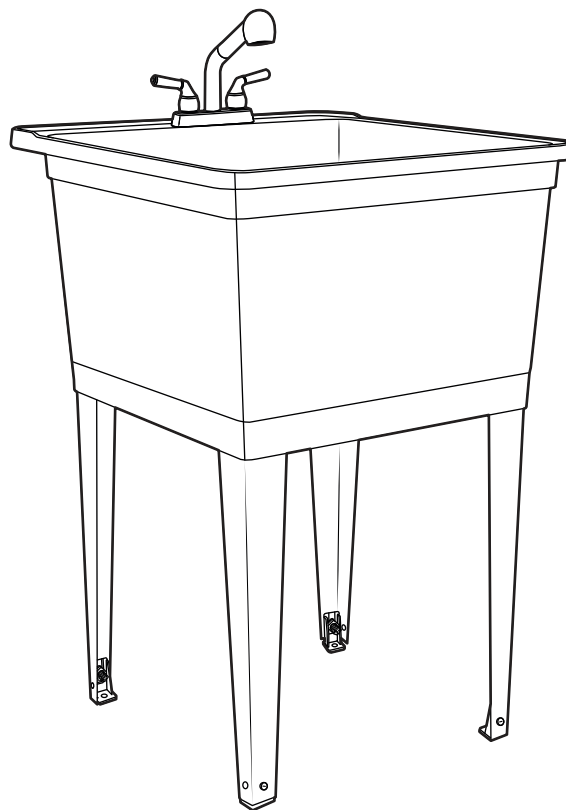


## USE AND CARE GUIDE

---

### UTILITY SINK KIT WITH PULL-OUT FAUCET



Questions, problems, missing parts?  
Before returning to the store, call Glacier Bay Customer Service  
8 a.m. - 7 p.m. EST, Monday - Friday, 9 a.m. - 6 p.m., EST, Saturday

**1-855-HD-GLACIER (1-855-434-5224)**

**[HOMEDEPOT.COM/GLACIERBAY](http://HOMEDEPOT.COM/GLACIERBAY)**

---

**THANK YOU**

*We appreciate the trust and confidence you have placed in Glacier Bay through the purchase of this utility sink kit. We strive to continually create quality products designed to enhance your home. Visit us online to see our full line of products available for your home improvement needs. Thank you for choosing Glacier Bay!*

# Table of Contents

|                          |   |                         |       |
|--------------------------|---|-------------------------|-------|
| Safety Information ..... | 2 | Installation .....      | 5 - 9 |
| Warranty .....           | 2 | Care and Cleaning ..... | 10    |
| Pre-Installation .....   | 3 |                         |       |
| Before you begin .....   | 3 |                         |       |
| Tool required .....      | 3 |                         |       |
| Package Contents .....   | 4 |                         |       |

# Safety Information

Please carefully read this guide before installing or using this product. Store this guide in a safe place for future reference.

1. Installation work and plumbing must be done by qualified person(s) in accordance with all applicable codes and standards.
2. Use this unit only in the manner intended by the manufacturer. If you have any questions, contact the manufacturer.

 **DANGER:** Always wear safety goggles and gloves in order to avoid personal injury.

# Warranty

## LIMITED WARRANTY

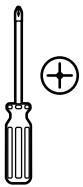
This product is warranted to be free from defects in workmanship and materials for up to one (1) year from date of purchase. If it fails to do so, please contact the Customer Service Team at 1-855-HD-GLACIER or visit [homedepot.com/glacierbay](http://homedepot.com/glacierbay).

# Pre-Installation

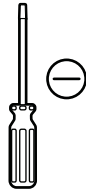
## BEFORE YOU BEGIN

Compare all parts with the package contents list in this manual. Check the sink and the faucet for any flaws or damage. If any damage is noticed or parts are missing, do not proceed with the installation. Contact the Customer Service Team at 1-855-HD-GLACIER or visit [homedepot.com/glacierbay](http://homedepot.com/glacierbay).

## TOOLS REQUIRED



Phillips  
screwdriver



Flathead  
screwdriver



Safety  
goggles



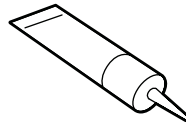
Gloves



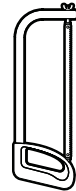
Pipe  
wrench



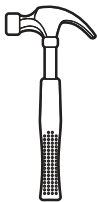
Plier



Silicone  
sealant



Hacksaw



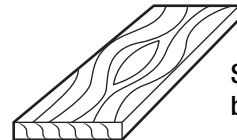
Hammer



Utility  
knife



Carpenters  
level



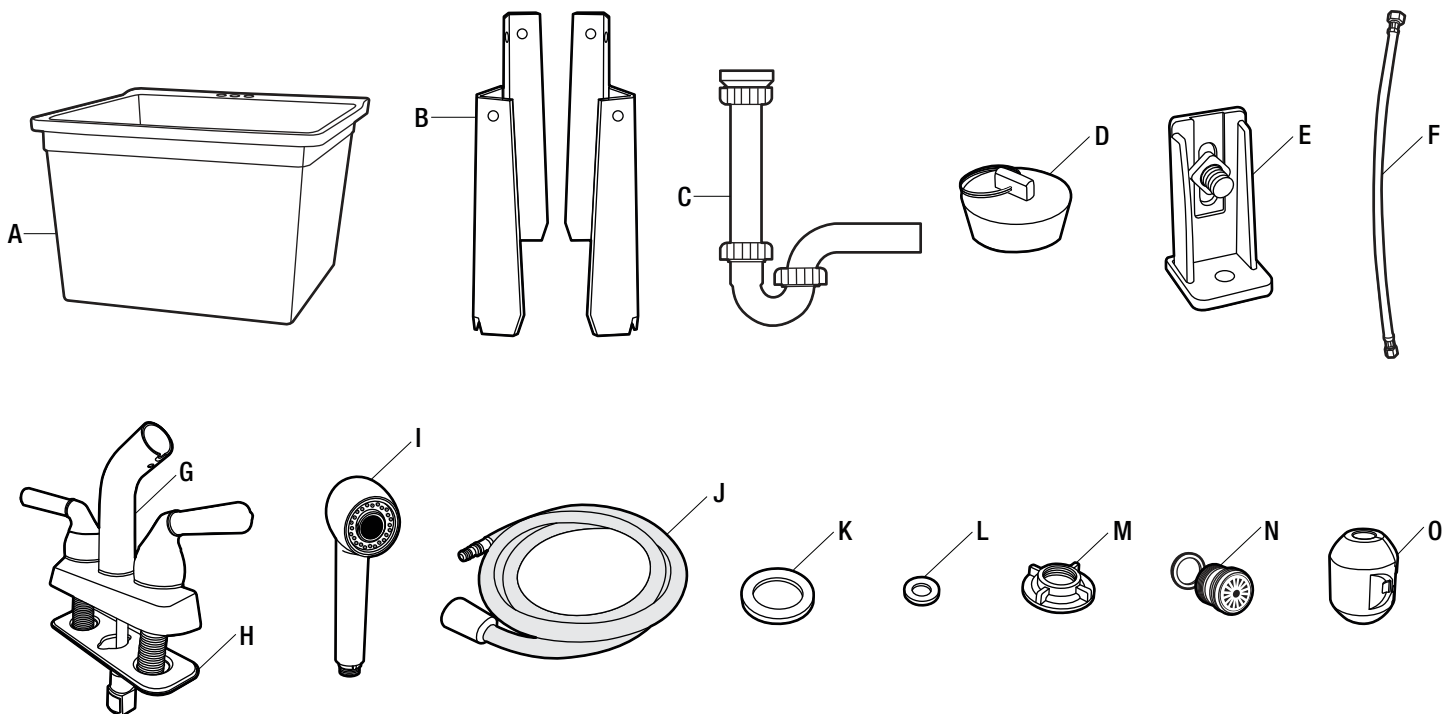
Small wooden  
block



Pencil

# Pre-Installation (continued)

## PACKAGE CONTENTS

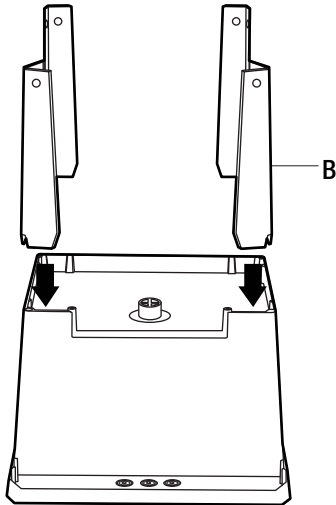


| Part | Description                      | Quantity |
|------|----------------------------------|----------|
| A    | Utility sink                     | 1        |
| B    | Steel legs                       | 4        |
| C    | Drainage kit                     | 1        |
| D    | Rubber drain plug                | 1        |
| E    | Adjustable leveler               | 4        |
| F    | Supply line                      | 2        |
| G    | Faucet                           | 1        |
| H    | Putty plate (attached to faucet) | 1        |
| I    | Faucet hand sprayer              | 1        |
| J    | Spray hose                       | 1        |
| K    | Large washer                     | 2        |
| L    | Small washer                     | 1        |
| M    | Mounting nut                     | 2        |
| N    | Garden hose adapter              | 1        |
| O    | Weight                           | 1        |

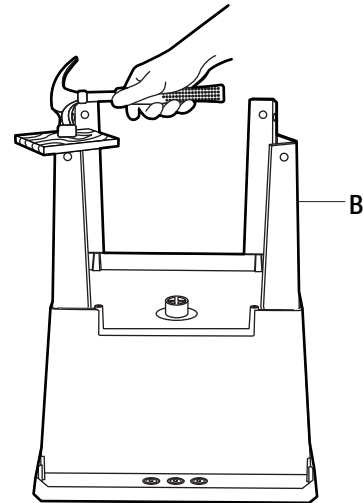
# Installation

## 1 Installing the steel legs

- Insert the 4 steel legs (B) into each corner socket of the sink.
- Place a small wooden block against the leg(s) and tap the block with a hammer to drive each leg into the tapered socket until it is secure.

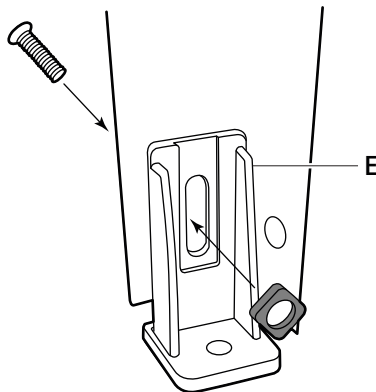


**CAUTION:** Do not overstrike the leg(s) into the socket(s). It is okay if there is a gap between the sink and the corner of the leg. Do not wiggle the leg(s) back and forth to prevent the tapered socket(s) from loosening.



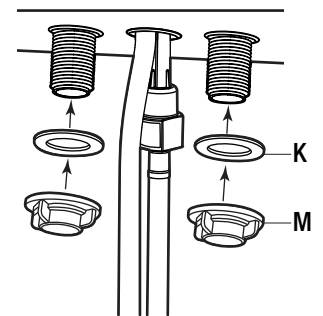
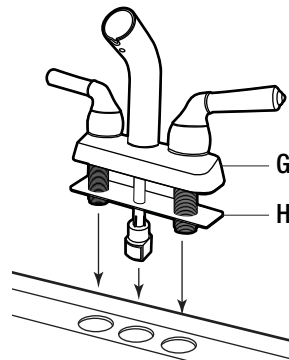
## 2 Installing the levelers

- Select the proper leg hole for the leveler that will allow access to the screw head. Attach the leveler (E) with the included 1/4" bolt and nut and hand tighten it. Do not over-tighten it in this step.
- Gently turn the sink back to the correct position.



## 3 Installing the faucet

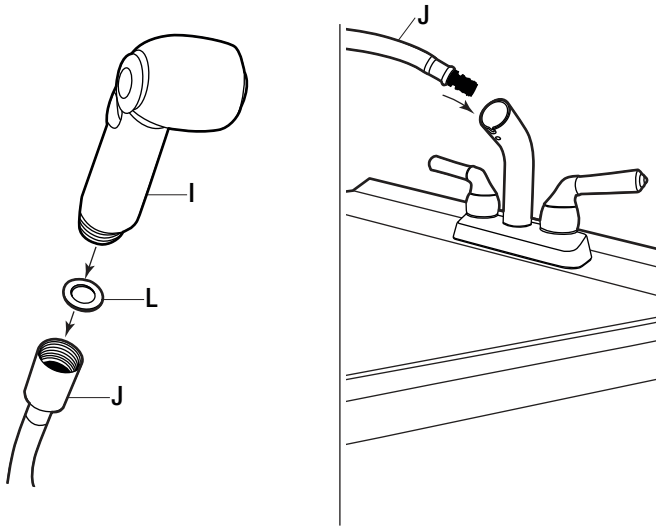
- Shut off the hot and cold water supply from the stop valves. Then remove the existing faucet and sink.
- Apply a thin bead of silicone sealant to the underside of the putty plate (H). Set the faucet (G) into the sink holes.
- Underneath the sink, assemble the large washers (K) and mounting nuts (M) onto the faucet shanks, then tighten both mounting nuts (M).



## Installation (continued)

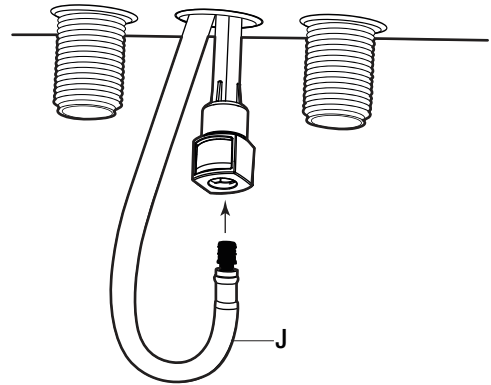
### 4 Installing the faucet hand sprayer

- Insert the small washer (L) into the hose nut. Thread and tighten the faucet hand sprayer (I) onto the spray hose (J).
- Insert the spray hose (J) in the spout until the hand sprayer (I) rests in the spout.



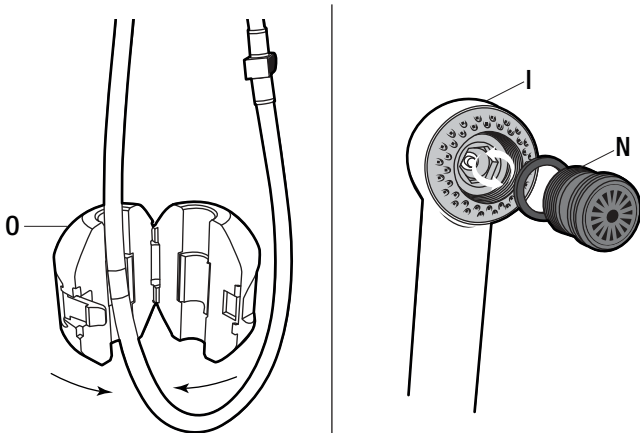
### 5 Attaching the quick connector to the receiving block

- Underneath the sink, push the quick connector from the spray hose (J) firmly into the receiving block until it clicks. Pull down moderately to ensure the connection has been made.



### 6 Installing the weight and garden hose adapter

- Align the weight (O) at the point of the hose marking "weight here", then snap it together.
- (Optional) Remove the existing aerator from the hand sprayer (I) nozzle and insert the washer and the garden hose adapter (N) and tighten.

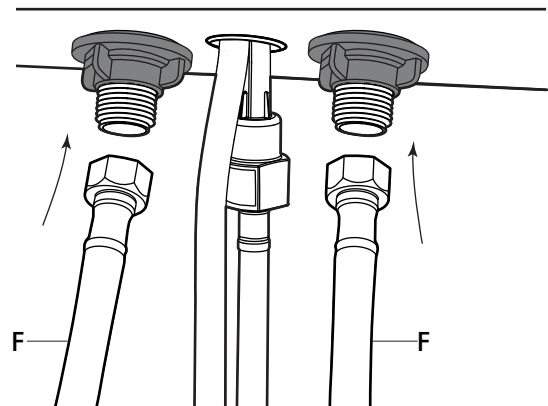


### 7 Installing the water supply lines

- Install the new water supply lines (F) by threading the hoses to the faucet shanks, then tighten all connections.



**NOTE:** Do not connect the supply lines (F) to the shut-off valve during this step.

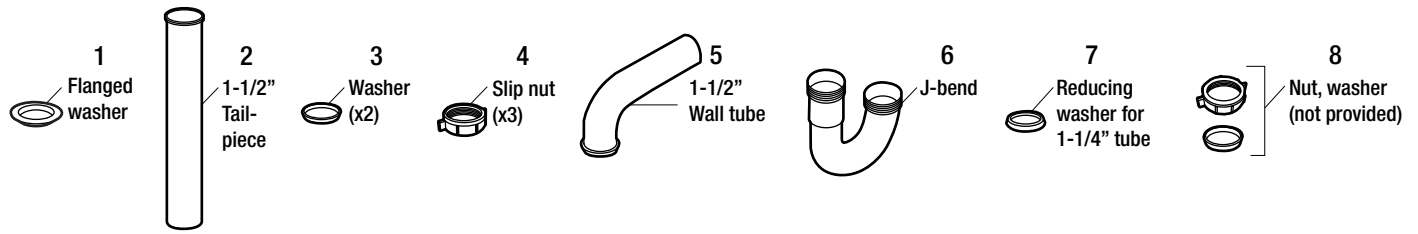


# Installation (continued)

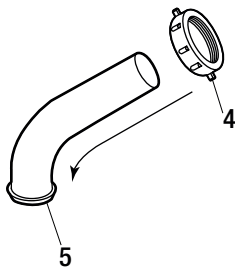
## 8 Installing the drainage kit



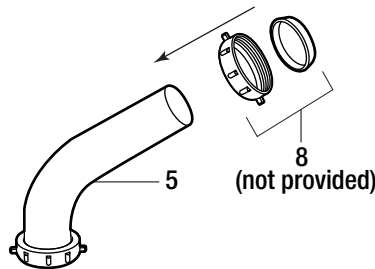
**NOTE:** When installing new drainage, loosely tighten all parts first to ensure a proper fit before making the final connections.



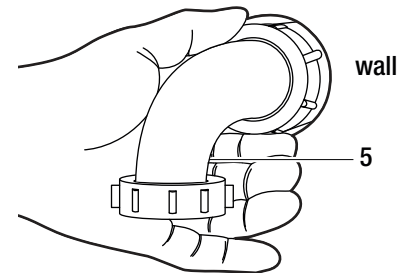
**a** Insert the slip nut (4) threads facing down onto the wall tube (5).



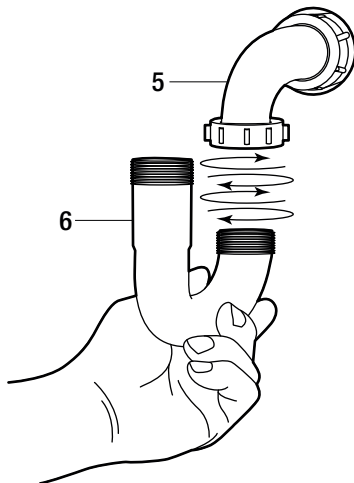
**b** Slide the slip nut threads facing up and washer (8 – not provided) to the assembled wall tube (5).



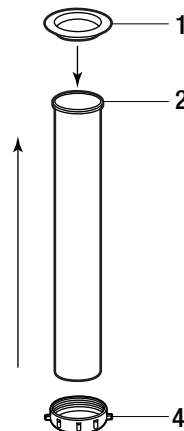
**c** Insert the assembled wall tube (5) into the wall drain connection. Do not tighten it at this time.



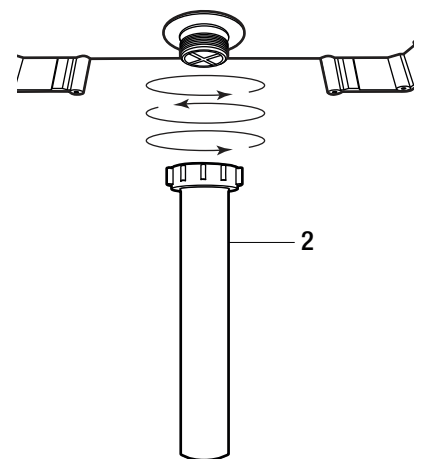
**d** Connect the J-bend (6) to the wall tube (5). Do not tighten it yet so that you can easily align the J-bend (6) with the tail-piece (2) in step g.



**e** Slide the slip nut (4) threads facing up onto the tail-piece (2), and insert the flanged washer (1) at the top of tail-piece (2).

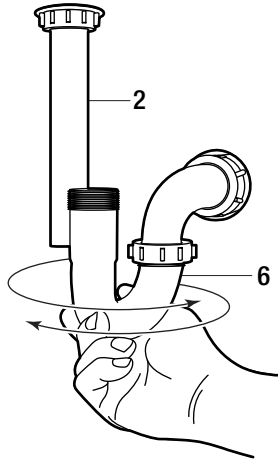


**f** Attach the assembled tail-piece (2) onto the sink waste drain. Do not tighten it at this time.



## 8 Installing the drainage kit (continued)

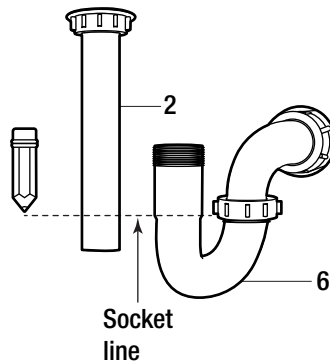
- g** Swing the J-bend (6) to align the J-bend (6) with the tail-piece (2).



- h** If trimming of the tail-piece (2) is necessary, mark the trimming line with a pencil.



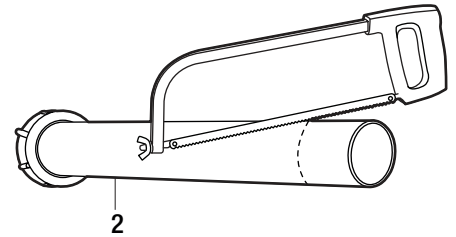
**NOTE:** The trim line should not exceed the socket line.



- i** Remove the tail-piece (2) from the sink waste drain. Trim along the marked line with a hacksaw.

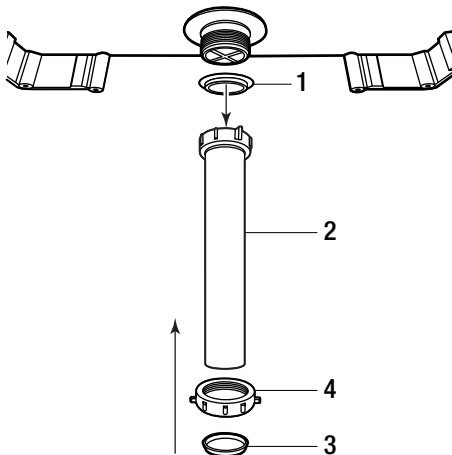


**NOTE:** To prevent damage to the pipe, do not trim the tail-piece (2) while it is still connected to the sink waste drain.

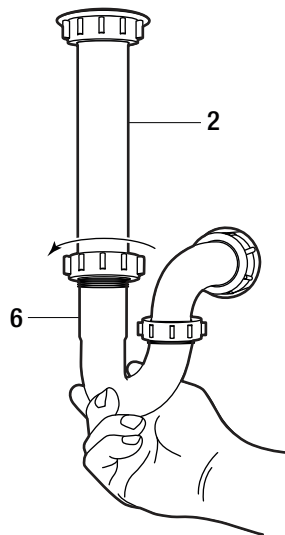


- j** Reattach the trimmed tail-piece (2) onto the sink waste drain. Be sure to include the flanged washer (1).

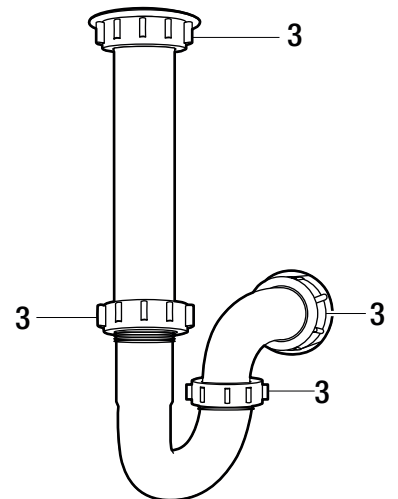
Slide the slip nut (4) threads facing down onto the tail-piece (2), then slide the washer (3) onto the bottom edge of the tail-piece (2).



- k** Connect the J-bend (6) to the tail-piece (2).

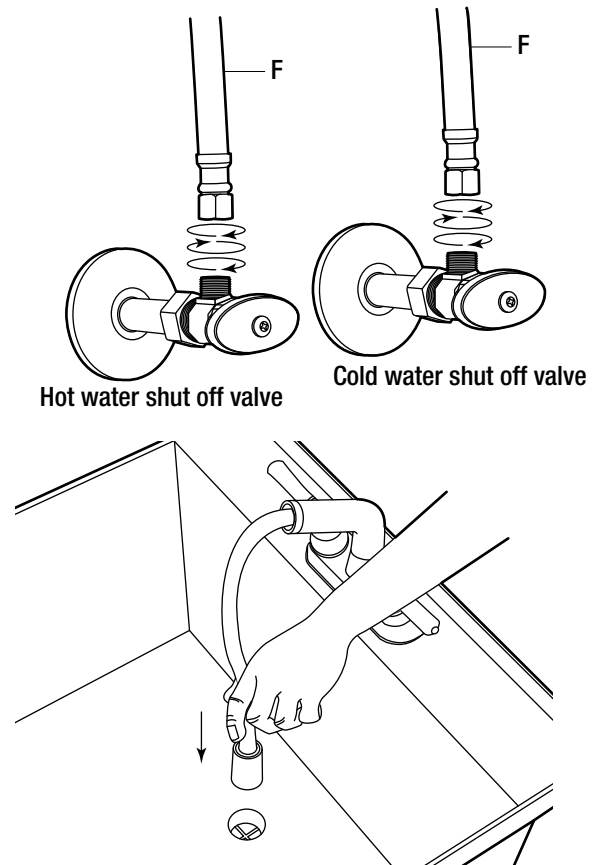


- l** Tighten all slip nuts (3) by hand. If a leak occurs, tighten slightly with a pipe wrench.



### 9 Connecting the supply lines to stop valves

- Attach the supply lines (F) to the hot and cold water shut off valves, then tighten it.
- Turn on the hot and cold water shut off valves. Check for any leaks. If leaks are found, tighten slightly until the leak stops. Do not run faucet yet.
- Remove the hand sprayer (I). Point the hose toward the drain and run the faucet for a minute to flush loose debris from the pipes.
- Re-attach the hand sprayer (I) to the hose, making sure the small washer is inside the hose nut.
- Run the faucet and check for any leaks under the sink.

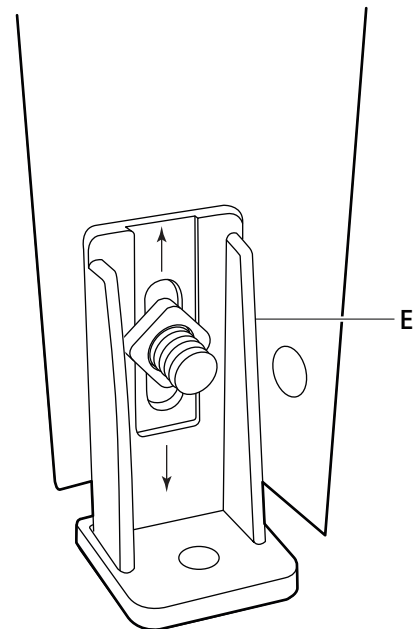


### 10 Adjusting the leg leveler



**NOTE:** Levelers (E) adjustment may be required to ensure proper drainage.

- Adjust the levelers (E) by loosening the leveler nuts. Adjust the levelers (E) to the desired position and then tighten the nut.
- For added stability, use the hole on the bottom of the leveler (E) to mount the legs to the floor (screws and anchors not supplied).



## FOR UTILITY SINK

- Regular cleaning of the sink and faucet is recommended to prevent staining.
- Do not use razor blade, metal scrub pad, steel wool or other sharp instruments. These will damage or scratch the sink's surface.
- Do not allow chlorine bleach to sit inside the sink for too long.
- Only soap or qualified non-abrasive surface cleaner and water should be used for cleaning the thermoplastic sink.
- Use isopropyl alcohol to clean grease, oil, paint, and ink stains. Rinse with water immediately after removing the stain from the sink.
- Rinse with water and wipe down the sink with a soft, dry cloth. Drying the sink will prevent water spots caused by water.

## FOR FAUCET

- To maintain the appearance of your faucet, always wipe away any water on the faucet surface.
- Use a damp, non-abrasive sponge for cleaning and wipe with a clean, soft cloth.
- To remove water stains, use a damp, soft cloth with warm water.
- Do not use polishing powder, granular cleaners, nylon brush, metal scrub pad or steel wool to clean.
- Do not use abrasive detergents for cleaning. If used, rinse thoroughly and wipe dry with a soft cloth.



Questions, problems, missing parts?  
**Before returning to the store, call Glacier Bay Customer Service**  
8 a.m. - 7 p.m. EST, Monday - Friday, 9 a.m. - 6 p.m., EST, Saturday

**1-855-HD-GLACIER (1-855-434-5224)**

**[HOMEDEPOT.COM/GLACIERBAY](https://www.homedepot.com/glacierbay)**

Retain this manual for future use.