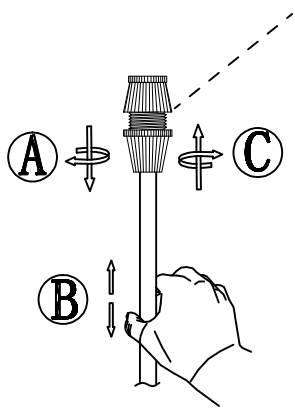
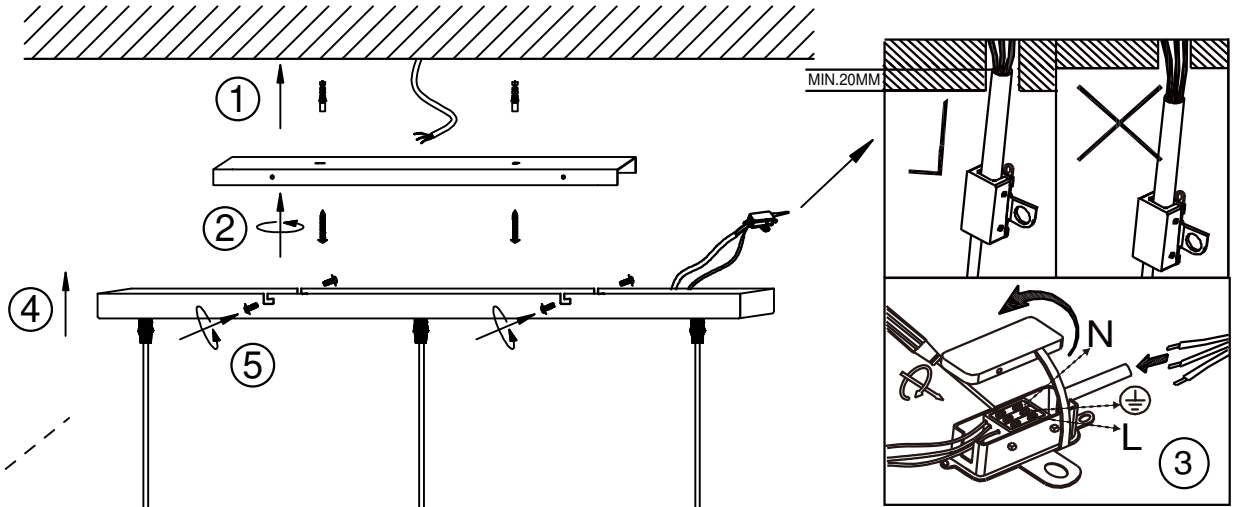


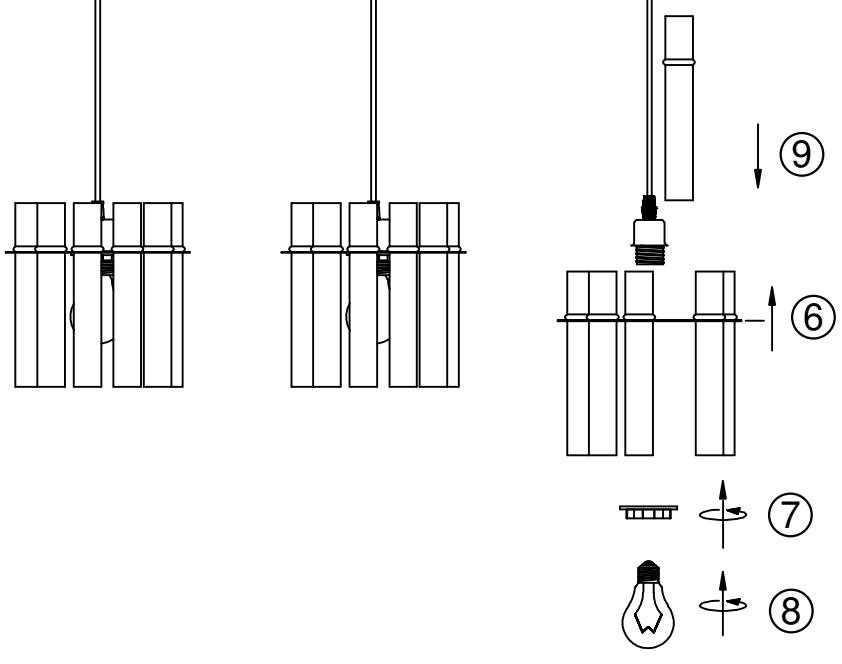
# GLOBO

LIGHTING

B



## 156980-3H



3 x Max 60W E27  
230V~ 50Hz

GLOBO Handels GmbH  
 Gewerbestr. 3  
 A-9184 Sankt Peter  
 Austria  
[www.globo-lighting.com](http://www.globo-lighting.com)  
[office@globo-lighting.com](mailto:office@globo-lighting.com)

