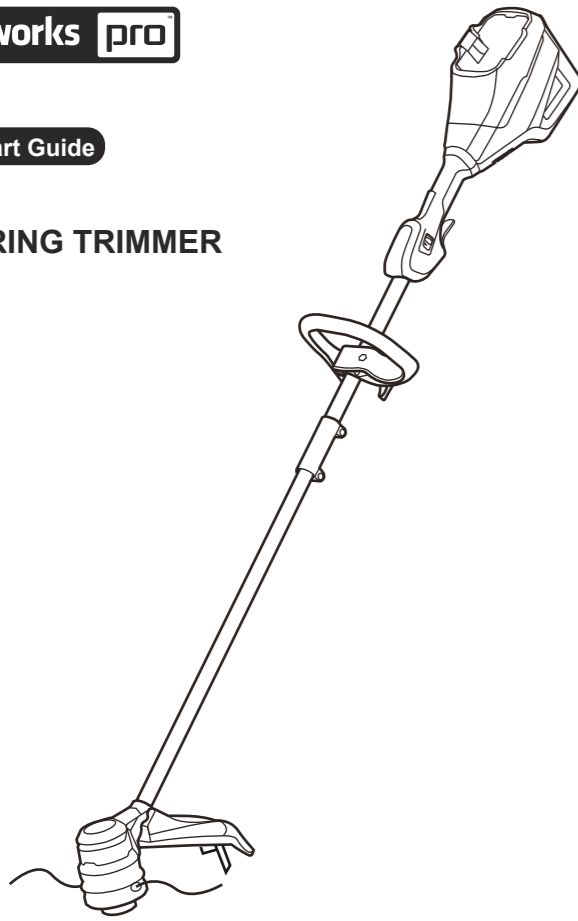
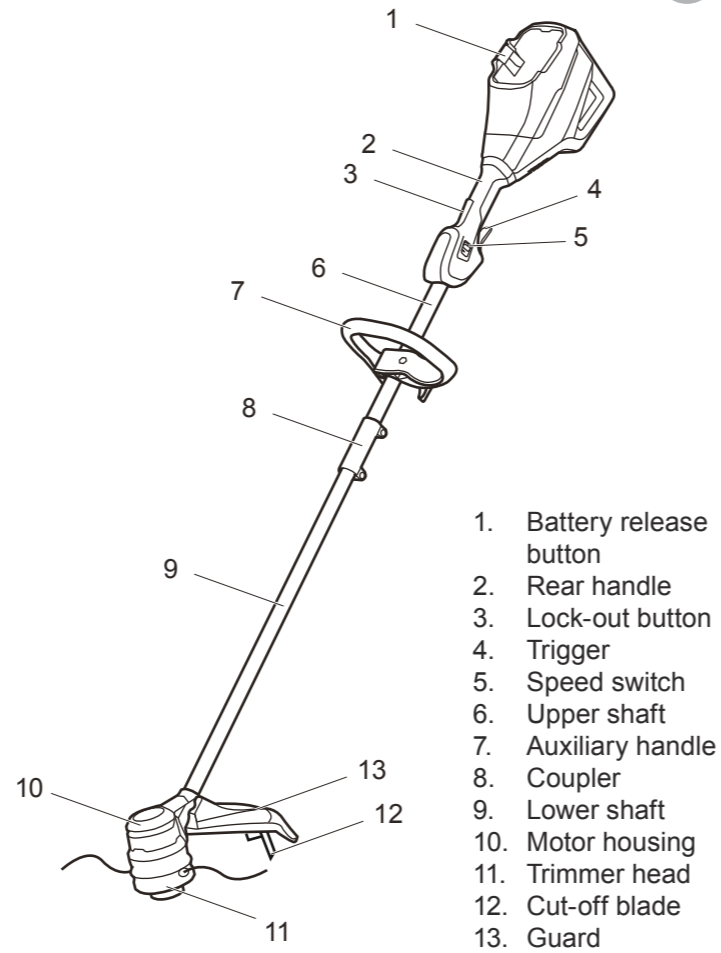


80V STRING TRIMMER



Depending on the model purchased, packaging will contain different accessories and parts. Refer to the package for more details.

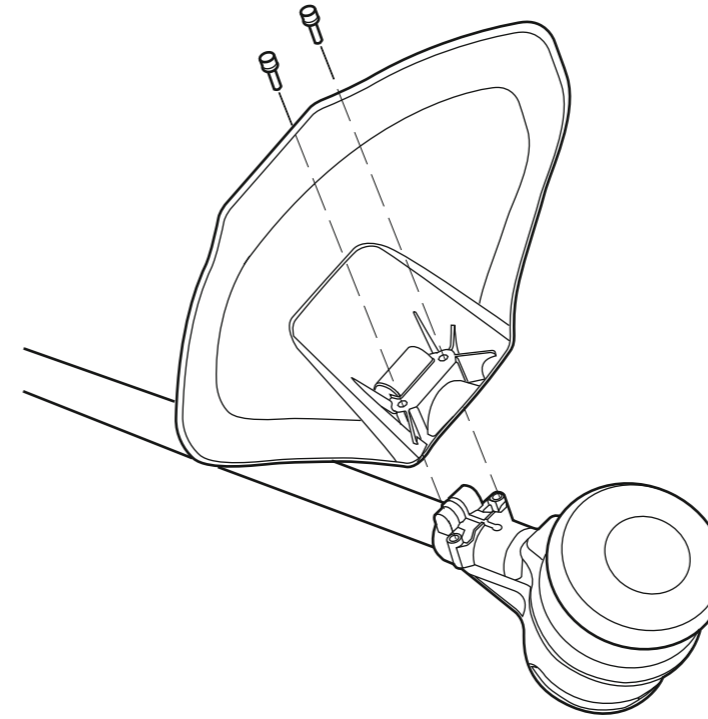
KNOW YOUR MACHINE



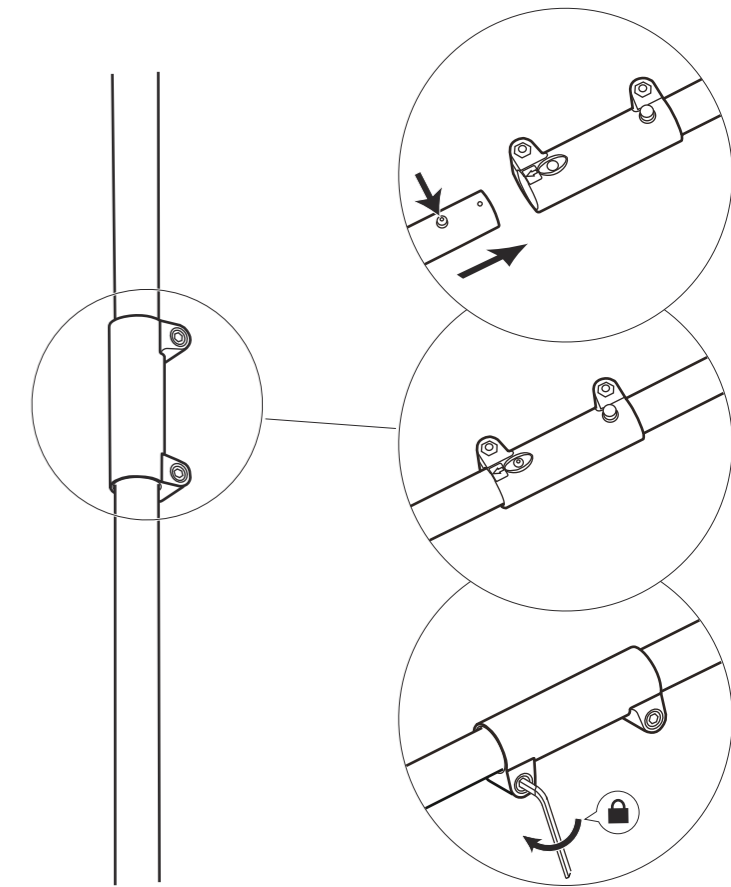
- 1. Battery release button
- 2. Rear handle
- 3. Lock-out button
- 4. Trigger
- 5. Speed switch
- 6. Upper shaft
- 7. Auxiliary handle
- 8. Coupler
- 9. Lower shaft
- 10. Motor housing
- 11. Trimmer head
- 12. Cut-off blade
- 13. Guard

INSTALLATION

Attach the guard

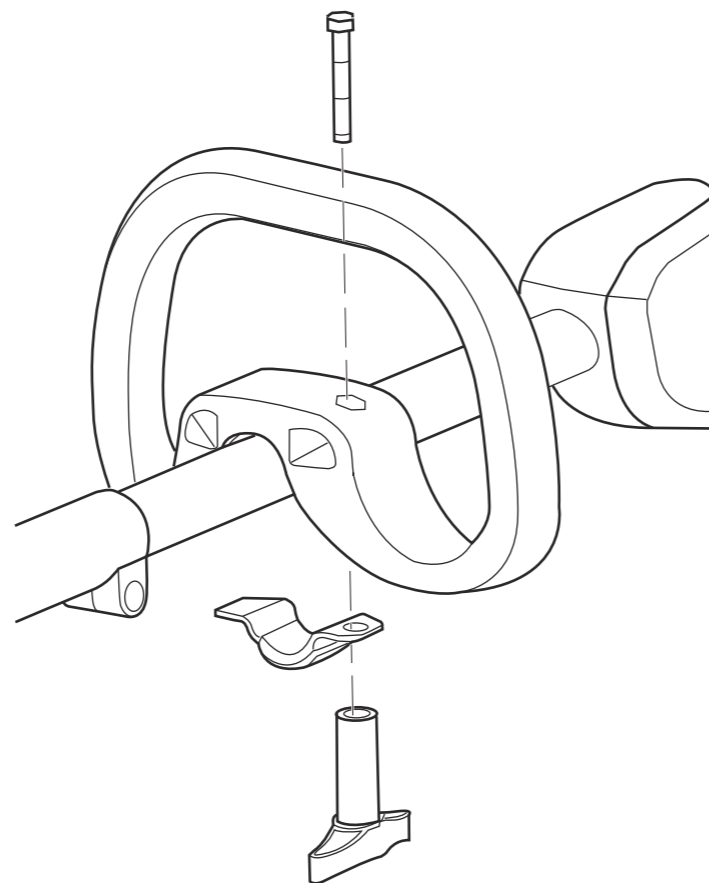


Attach the edge guide

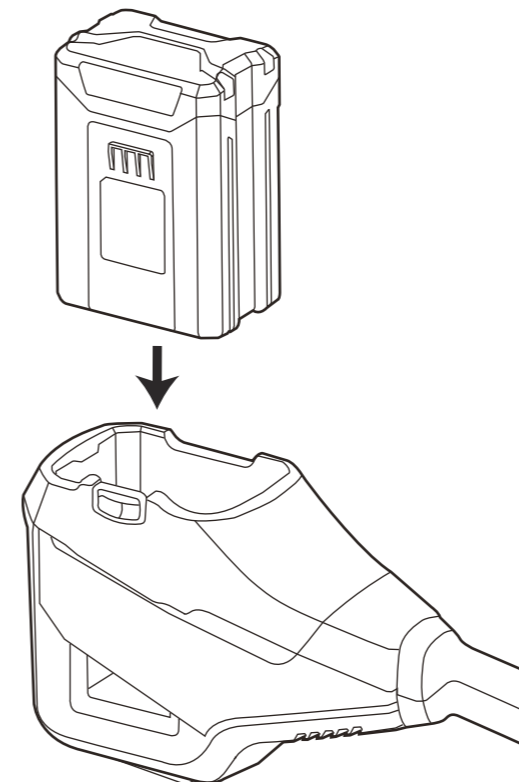


4

Attach the auxiliary handle



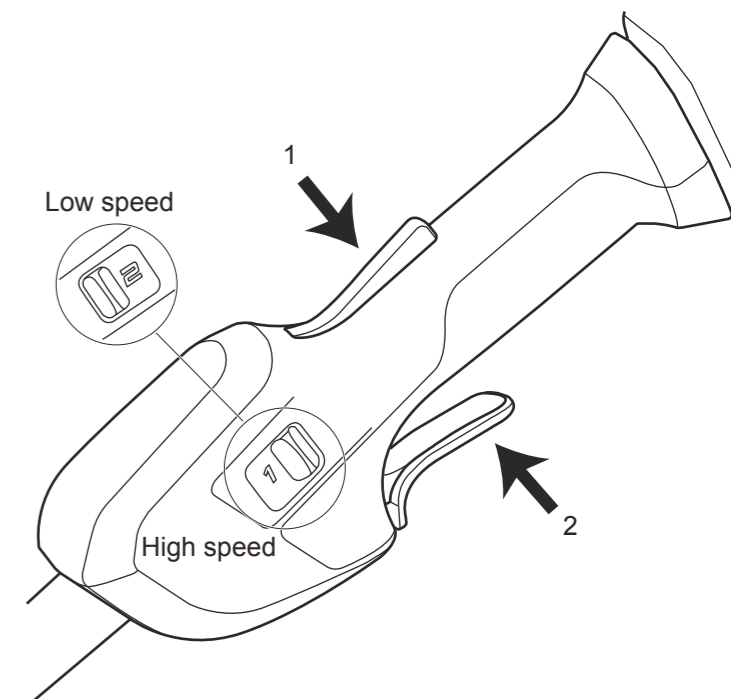
Install the battery



5

OPERATION

Start the machine



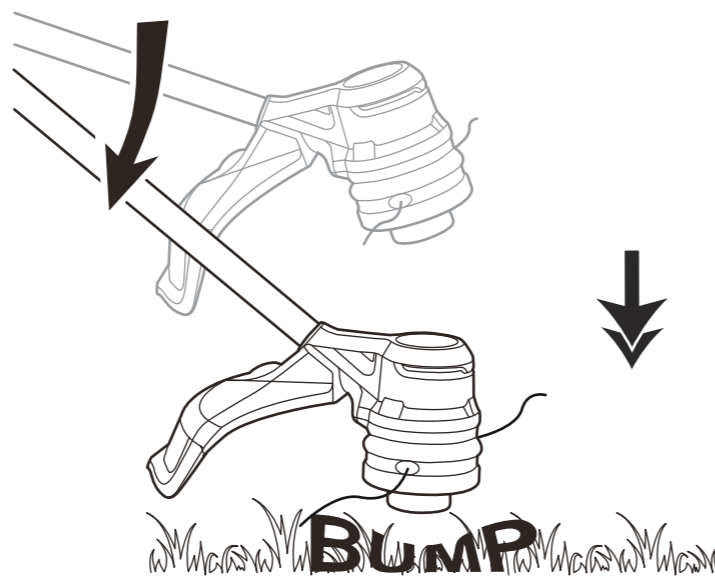
Operation tips

7



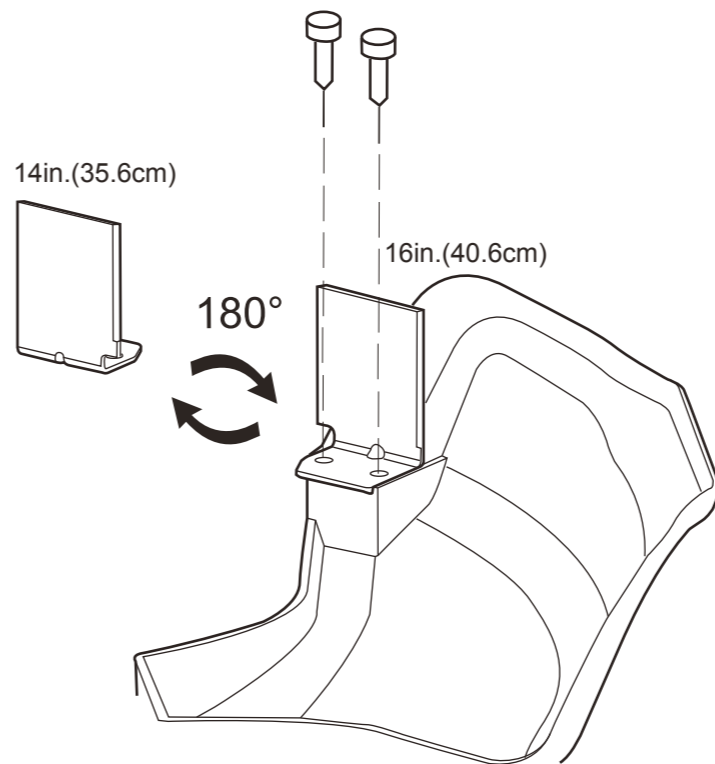
Adjust the length of the cutting line

8



Adjust the cutting diameter (14"-16")

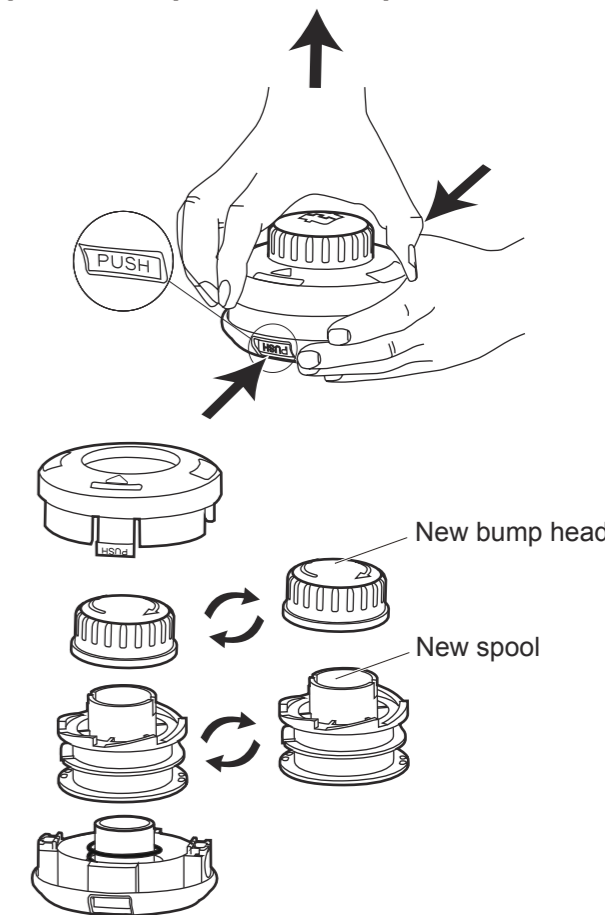
9



MAINTENANCE

Replace the spool and bump head

10

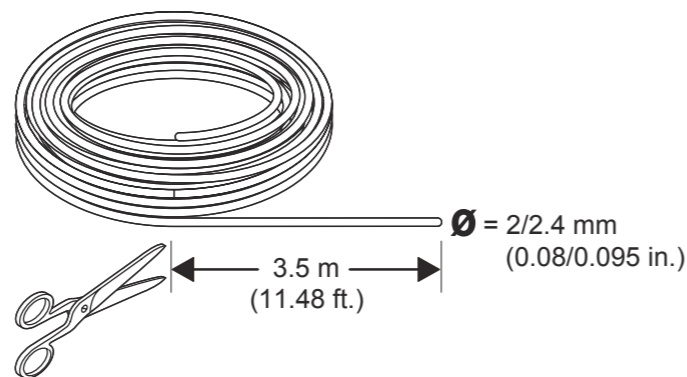


11

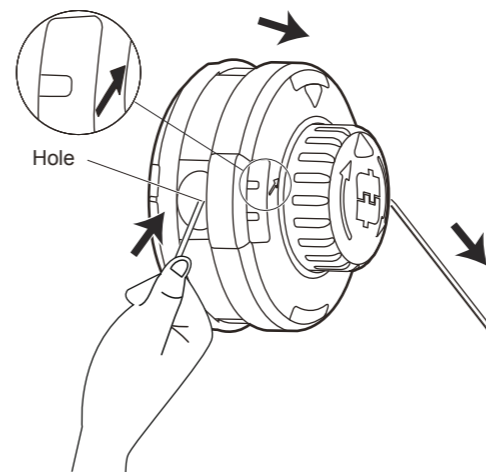
MAINTENANCE

Install the cutting line

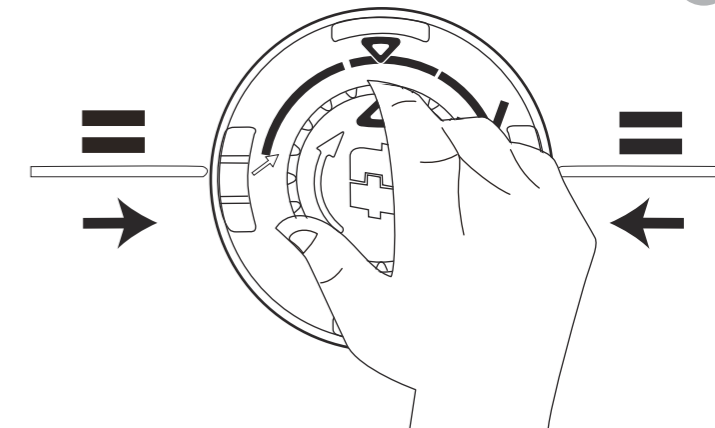
12



13



14



Push and rotate the bump head to align the slots as below.

