

READ BEFORE USE
LIRE AVANT UTILISATION
LEA ANTES DE USAR

Visit www.hamiltonbeach.com for our complete line of products and Use and Care Guides – as well as delicious recipes, tips, and to register your product online.

Rendez-vous sur www.hamiltonbeach.ca pour notre liste complète de produits et de nos manuels utilisateur – ainsi que nos délicieuses recettes et nos conseils.

Visite www.hamiltonbeach.com (EE. UU.) o www.hamiltonbeach.com.mx (México) para ver otros productos de Hamilton Beach o para contactarnos.

For Questions: 1.800.851.8900
For recipes, tips, product information and registration:
www.hamiltonbeach.com

Pour des questions : 1.800.267.2826
Pour des recettes, des conseils, des renseignements sur le produit et l'enregistrement :
www.hamiltonbeach.com

Para preguntas: 800 71 16 100
Para recetas, consejos, información del producto y registro:
www.hamiltonbeach.com.mx
Le invitamos a leer cuidadosamente este instructivo antes de usar su aparato.

Hamilton Beach®



Coffee Maker Cafetière Cafetera

English	2
Français	11
Español	20

IMPORTANT SAFEGUARDS

When using electrical appliances, basic safety precautions should always be followed to reduce the risk of fire, electric shock, and/or injury to persons, including the following:

1. Read all instructions.
2. This appliance is not intended for use by persons (including children) with reduced physical, sensory, or mental capabilities, or lack of experience and knowledge, unless they are closely supervised and instructed concerning use of the appliance by a person responsible for their safety.
3. Close supervision is necessary when any appliance is used by or near children. Children should be supervised to ensure that they do not play with the appliance.
4. Do not touch hot surfaces. Use handles or knobs. Care must be taken, as burns can occur from touching hot parts or from spilled, hot liquid.
5. To protect against electric shock, do not place cord, plug or coffee maker in water or other liquid.
6. Unplug from outlet when either the coffee maker or clock is not in use and before cleaning. Allow to cool before putting on or taking off parts and before cleaning the appliance.
7. Coffee maker must be operated on a flat surface away from the edge of counter to prevent accidental tipping.
8. The use of accessory attachments not recommended by the appliance manufacturer may cause injuries.
9. Do not operate any appliance with a damaged supply cord or plug, or after the appliance malfunctions or has been dropped or damaged in any manner. Supply cord replacement and repairs must be conducted by the manufacturer, its service agent, or similarly qualified persons in order to avoid a hazard. Call the provided customer service number for information on examination, repair, or adjustment.
10. Use only the carafe provided with the appliance.
11. Do not use outdoors.
12. Do not let cord hang over edge of table or counter or touch hot surfaces, including stove.
13. The carafe is designed for use with this coffee maker. It must never be used on a range top or in a microwave oven.
14. Do not set a hot carafe on a wet or cold surface.
15. Do not use a cracked carafe or one with a loose or weakened handle.
16. Do not clean carafe with cleansers, steel wool pads, or other abrasive materials.
17. Be certain carafe lid is securely in place during brew cycle and when pouring coffee. Do not use force when placing lid on carafe.
18. Do not place coffee maker on or near a hot gas or electric burner or in a heated oven.
19. To disconnect coffee maker, turn controls to OFF (○) and then remove plug from wall outlet. To unplug, grasp the plug and pull from the outlet. Never pull from the power cord.
20. **Warning!** To reduce the risk of fire or electric shock, do not remove the bottom cover. No user-serviceable parts are inside. Repair should be done by authorized service personnel only.
21. Do not use appliance for other than intended use.
22. Keep-warm plate may remain hot after the coffee maker is turned off.
23. Do not place coffee maker in a cabinet when in use.

SAVE THESE INSTRUCTIONS

Other Consumer Safety Information

This appliance is intended for household use only.

⚠ WARNING Electrical Shock Hazard: This appliance is provided with a polarized plug (one wide blade) to reduce the risk of electric shock. The plug fits only one way into a polarized outlet. Do not defeat the safety purpose of the plug by modifying the plug in any way or by using an adapter. If the plug does not fit fully into the outlet, reverse the plug. If it still does not fit, have an electrician replace the outlet. The length of the cord used on this appliance was selected to reduce the hazards of becoming tangled in or tripping over a longer cord. If a

longer cord is necessary, an approved extension cord may be used. The electrical rating of the extension cord must be equal to or greater than the rating of the appliance. Care must be taken to arrange the extension cord so that it will not drape over the countertop or tabletop where it can be pulled on by children or accidentally tripped over.

To avoid an electrical circuit overload, do not use another high-wattage appliance on the same circuit with this appliance.

Carafe Safety Tips



This symbol alerts you to the potential danger for personal injury if you fail to read and follow these safety precautions.



This symbol reminds you that glass is fragile and can break, which could result in personal injury.

- Do not use a cracked Carafe or a Carafe having a loose or weakened handle.
- This Carafe is designed to be used only on the Keep-Warm Plate of your Coffee Maker. Do not use on a gas or electric rangetop, or in a microwave or conventional oven.
- To avoid breakage, handle Carafe with care. Avoid impact. Glass will break as a result of impact. Use care when filling with water to avoid hitting faucet.
- Do not place hot Carafe on cool or wet surface. Allow to cool before washing or adding liquids.
- Do not set empty Carafe on a hot heating surface.
- Do not clean with steel wool pads, abrasive cleanser, or any other materials that may scratch.
- Do not place hands inside Carafe. When handling, be careful if wearing any hand jewelry, especially diamond rings. Jewelry can scratch the glass, which increases possibility of breakage.
- Do not bump, scratch, or boil dry.
- Discard Carafe if it is cracked, scratched, or heated while empty for an extended period of time.
- To avoid accidents, do not pour in the direction of people.
- If stirring in the Carafe, use only wooden, plastic, or rubber utensils. Do not use metal utensils.
- Follow the above safety precautions carefully to avoid serious burn injuries which may result if breakage occurs while Carafe holds heated liquids.

Parts and Features

To order parts:

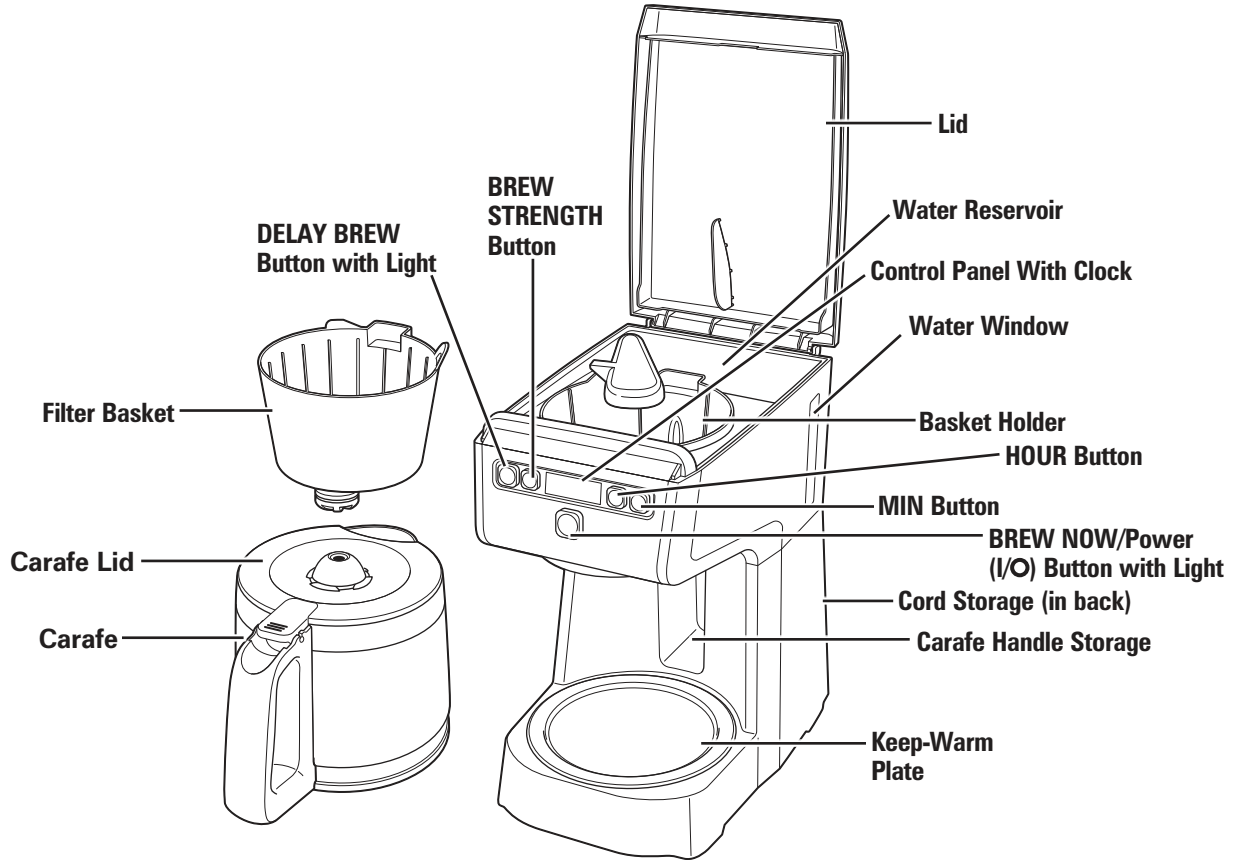
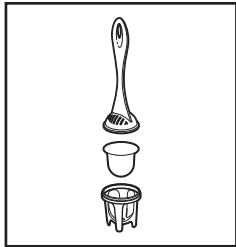
US: 1.800.851.8900

www.hamiltonbeach.com

Canada: 1.800.267.2826

Mexico: 800 71 16 100

Optional Water Filter



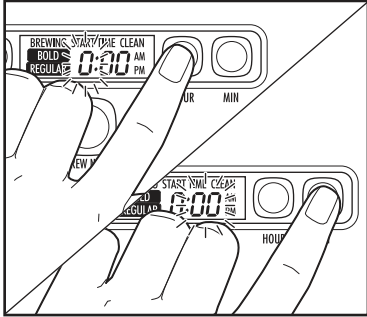
Before first use: Wash all removable parts in hot, soapy water. Rinse and dry. Brew one cycle with water and discard water.

How to Make Coffee

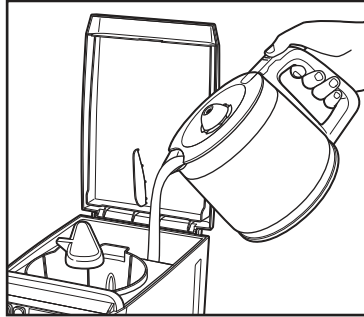
⚠ WARNING Burn Hazard. If filter basket overflow occurs, unplug coffee maker and allow coffee in filter basket to cool before removing filter basket. To avoid hot coffee overflowing from the filter basket:

- The carafe must be replaced within 20 seconds of being removed to prevent overflow.
- Do not exceed the coffee manufacturer's recommended serving amount. See "Troubleshooting."

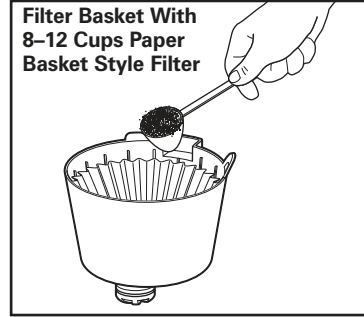
⚠ WARNING Shock Hazard. Do not immerse cord, plug, or coffee maker in any liquid.



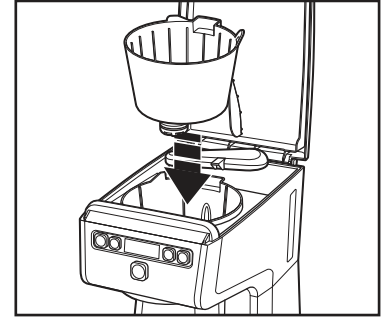
1. Plug into outlet. To set time, press and pulse HOUR Button until desired hour is reached. Press and pulse MIN Button to increase minutes. Set time will show in display.



2. Lift Lid to add water. Fill Carafe with cold water.

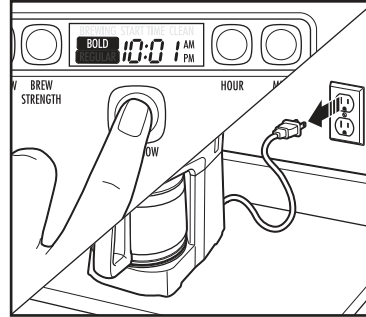
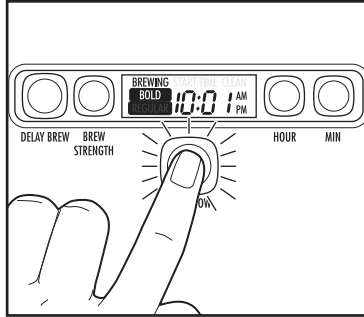
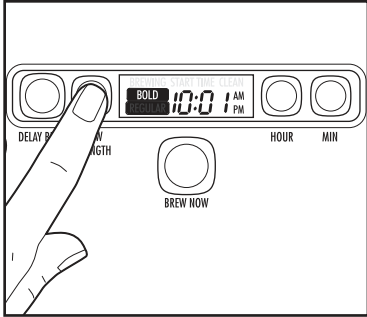


3. For each 5-ounce cup of coffee being made, place one level tablespoon of ground coffee into filter.



4. Align Brew Basket with basket holder and close Lid.

How to Make Coffee (cont.)



5. For stronger coffee, pulse BREW STRENGTH Button to select BOLD or press again to select REGULAR.
NOTE: Using BOLD strength option will slightly increase length of brewing time.

6. Press BREW NOW Button to turn on Coffee Maker. Button will illuminate red when brewing and BREWING will be in display.

7. When brewing is finished, press BREW NOW/Power (I/O) Button to turn off. Unplug.

NOTES:

- This Coffee Maker has Auto-Pause and Serve. Carafe can be removed during brewing to pour a cup of coffee, and must be placed securely back on Keep-Warm Plate within 20 seconds.
- If the Coffee Maker is not turned off manually, it will automatically shut off in 2 hours and the BREW NOW/Power (I/O) Light will turn off.

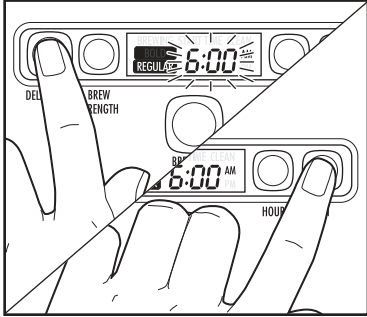
Brewing Chart

NOTE: Measurements can vary based on type of coffee being used or desired strength.

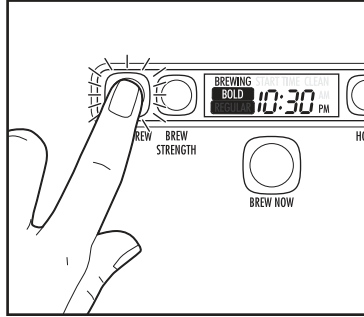
Cups of Coffee to Make*	Water Needed to Brew	Ground Coffee Needed
12	60 oz (1774 ml)	12 Tbsp (60 g)
10	50 oz (1478 ml)	10 Tbsp (50 g)
8	40 oz (1183 ml)	8 Tbsp (40 g)
6	30 oz (887 ml)	6 Tbsp (30 g)
4	20 oz (591 ml)	4 Tbsp (20 g)

*1 standard cup of coffee = 5 oz.

To Program DELAY BREW



1. Press and hold DELAY BREW Button. Next, press and pulse HOUR Button to set desired brewing hour in AM or PM.
2. Press and pulse MIN Button to increase and set minutes. Set time will display constant. Release DELAY BREW Button and current time is displayed.



3. Press and release DELAY BREW Button again to start programming. DELAY BREW Button will illuminate green until brewing begins at the set time.

Tips for Best-Tasting Coffee

- All coffees are made from either arabica beans or robusta beans, or some combination of both. Arabica beans are slightly more expensive, but tend to produce better-tasting coffee.
- Ground coffee will become stale much faster than whole beans. If buying preground coffee, chose a package with the latest expiration date or a smaller quantity.
- If grinding whole beans, set your coffee grinder on a fine/medium grind. This will yield the best-tasting grounds. Try to use freshly ground coffee within a week of grinding.
- Using a water filter, filtered water, or bottled water will yield better-tasting coffee than tap water.
- Use approximately 1 tablespoon of grounds for each cup of coffee being made. To avoid overflow, use about 1/3 less grounds when brewing decaf or flavored coffees.
- Make sure your coffee maker is clean. See “Care and Cleaning” section.

Care and Cleaning

⚠ WARNING Shock Hazard.

Do not immerse cord, plug, or coffee maker in any liquid.

1. Unplug Coffee Maker.
2. Carafe, Carafe Lid and Filter Basket are dishwasher-safe in Top-Rack Only or wash parts in hot, soapy water. Rinse and dry.
3. Wipe outside of Coffee Maker with a soft damp cloth and dry. Do not use abrasive cleaners, as they will scratch the finish.
4. For easy storage, insert Carafe Handle into Carafe Handle Storage and stuff cord into Cord Storage opening.

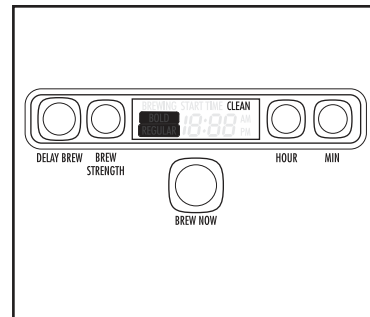
How to Use Clean Notification

CLEAN NOTIFICATION

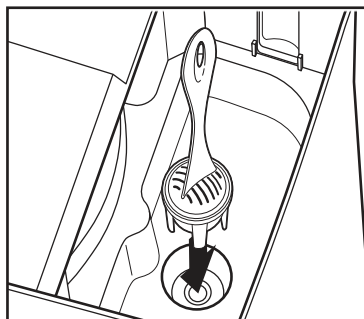
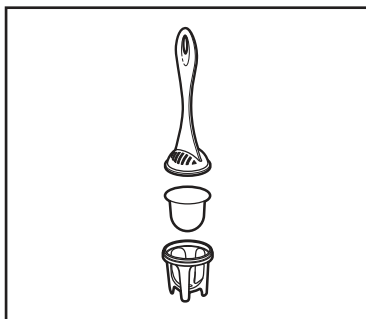
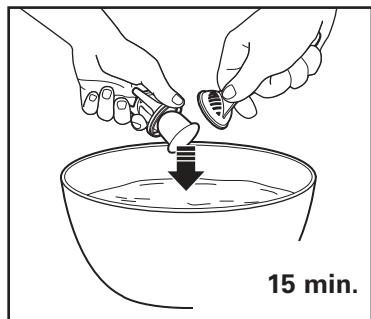
If unit is always plugged in, after 30 cycles "CLEAN" will illuminate on display. Follow the directions for "Care and Cleaning."

"CLEAN" will remain in the display during the next 2 brew cycles.

"CLEAN" will then disappear from the display and the brew cycle counter will reset.



How to Replace the Water Filter (optional accessory)



For better-tasting coffee, use a water filter.

Filter replacement is recommended every 60 cycles.

Troubleshooting

Filter Basket overflows or coffee brews slowly

- Decaf coffee used or grounds were too fine. Brew with decaffeinated coffee on BOLD by pressing BREW STRENGTH.
- Excessive amounts of coffee. Reduce amount of coffee in Filter Basket lined with 8–12 cup paper basket-style filter.
- Carafe not securely placed on Keep-Warm Plate. Place Carafe directly in center of Keep-Warm Plate.
- Carafe removed during brewing for more than 20 seconds and not placed securely back on Keep-Warm Plate. Return Carafe to Keep-Warm Plate in 20 seconds or less.
- Coffee Maker needs cleaning. See “Care and Cleaning.”
- Paper basket style filter not spread open and in proper position. Rinse Filter Basket before inserting paper filter so the edges will remain pressed against the sides of Basket. Do not use poor-quality paper filter.

Coffee not brewing/unit will not turn on.

- Water Reservoir is empty. Fill Water Reservoir with cold water to desired level.
- Unit is unplugged. Plug unit into electrical outlet. Follow directions for “How to Make Coffee.”
- Power outage or power surge. Unplug; then plug unit back in. Clock requires to be reset.

Limited Warranty

This warranty applies to products purchased and used in the U.S. and Canada. This is the only express warranty for this product and is in lieu of any other warranty or condition.

This product is warranted to be free from defects in material and workmanship for a period of five (5) years from the date of original purchase in Canada and one (1) year from the date of original purchase in the U.S. During this period, your exclusive remedy is repair or replacement of this product or any component found to be defective, at our option; however, you are responsible for all costs associated with returning the product to us and our returning a product or component under this warranty to you. If the product or component is no longer available, we will replace with a similar one of equal or greater value.

This warranty does not cover glass, filters, wear from normal use, use not in conformity with the printed directions, or damage to the product resulting from accident, alteration, abuse, or misuse. This warranty extends only to the original consumer purchaser or gift recipient. Keep the original sales receipt, as proof of purchase is required to make a warranty claim. This warranty is void if the product is used for other than single-family household use or subjected to any voltage and waveform other than as specified on the rating label (e.g., 120V ~ 60 Hz).

We exclude all claims for special, incidental, and consequential damages caused by breach of express or implied warranty. All liability is limited to the amount of the purchase price. **Every implied warranty, including any statutory warranty or condition of merchantability or fitness for a particular purpose, is disclaimed except to the extent prohibited by law, in which case such warranty or condition is limited to the duration of this written warranty.** This warranty gives you specific legal rights. You may have other legal rights that vary depending on where you live. Some states or provinces do not allow limitations on implied warranties or special, incidental, or consequential damages, so the foregoing limitations may not apply to you.

To make a warranty claim, do not return this appliance to the store. Please call 1.800.851.8900 in the U.S. or 1.800.267.2826 in Canada or visit hamiltonbeach.com in the U.S. or hamiltonbeach.ca in Canada. For faster service, locate the model, type, and series numbers on your appliance.

Notes

PRÉCAUTIONS IMPORTANTES

Pour utiliser un appareil électroménager, vous devez toujours prendre des mesures élémentaires de sécurité pour réduire le risque d'incendie, d'électrocution et/ou de blessure corporelle, en particulier les mesures suivantes :

1. Lire toutes les instructions.
2. Cet appareil n'est pas destiné à être utilisé par des personnes (y compris les enfants) dont les capacités physiques, sensorielles ou mentales sont réduites, ou manquant d'expérience et de connaissance, sauf si elles sont étroitement surveillées et instruites sur l'utilisation de l'appareil par une personne responsable de leur sécurité.
3. Une surveillance étroite est requise pour tout appareil utilisé par ou près des enfants. Surveiller que les enfants ne jouent pas avec l'appareil.
4. Ne pas toucher les surfaces chaudes. Utiliser les poignées ou les boutons. Utiliser des sous-plats pour déposer les récipients chauds. Prendre toutes les précautions nécessaires pour éviter les risques de brûlures occasionnés par les surfaces chaudes, les déversements de liquides chauds.
5. Pour protéger contre le choc électrique, ne pas placer le cordon, la fiche, ou la cafetière dans l'eau ou autre liquide.
6. Débrancher l'appareil de la prise de courant lorsque la cafetière n'est pas utilisée et avant le nettoyage. Laisser refroidir l'appareil avant de placer ou de retirer des pièces, et avant de le nettoyer.
7. Toujours placer la cafetière sur une surface plane et loin des bords de comptoir pour éviter le basculement accidentel lors de son fonctionnement.
8. L'utilisation d'accessoires non recommandés par le fabricant de l'appareil peut causer des blessures.
9. Ne pas faire fonctionner un appareil électroménager avec un cordon ou une fiche endommagée, ou lorsque l'appareil ne fonctionne pas bien ou a été échappé ou endommagé d'une manière quelconque. Le remplacement et la réparation du cordon d'alimentation doivent être faits par le fabricant, son agent de service ou toute personne qualifiée de façon à éviter tout danger. Appeler le numéro de service à la clientèle fourni pour des renseignements concernant l'examen, la réparation ou l'ajustement.
10. Utiliser uniquement la verseuse à café fournie avec cet appareil.
11. Ne pas utiliser à l'extérieur.
12. Ne pas laisser le cordon pendre du bord d'une table ou d'un comptoir, ou toucher des surfaces chaudes, y compris la cuisinière.
13. La verseuse à café est conçue exclusivement pour cette cafetière. Elle ne doit jamais être utilisée sur une table de cuisson ou dans un four à micro-ondes.
14. Ne pas placer la verseuse à café chaude sur une surface mouillée ou froide.
15. Ne pas utiliser une verseuse à café fissurée ou avec une poignée lâche ou usée.
16. Ne pas nettoyer la verseuse à café avec de la poudre à nettoyer, des tampons métalliques ou autres matériaux abrasifs.
17. S'assurer que le couvercle de la verseuse à café est bien fixé pendant le cycle d'infusion et au moment de verser le café. Ne pas utiliser la force pour fixer le couvercle de la verseuse à café.
18. Ne pas placer sur ou près d'un brûleur chaud à gaz ou électrique ou dans un four chaud.
19. Pour débrancher la cafetière, tourner les boutons de réglage à OFF (O/arrêt) puis débrancher la fiche de la prise murale. Pour le débrancher, tenir la fiche et la retirer de la prise. Ne jamais tirer sur le cordon.
20. **AVERTISSEMENT !** Pour réduire le risque d'incendie ou de choc électrique, ne pas enlever le dessous de la cafetière. Aucune pièce réparable à l'intérieur. Les réparations doivent être faites par un technicien agréé seulement.
21. Ne pas utiliser cet appareil pour tout autre usage que celui recommandé.
22. La plaque chauffante peut être encore chaude même si la cafetière est éteinte.
23. Ne pas mettre la cafetière dans une armoire lors de l'utilisation.

CONSERVER CES INSTRUCTIONS

Autres consignes de sécurité pour le consommateur

Cet appareil est destiné à un usage domestique uniquement.

⚠ AVERTISSEMENT Risque de choc électrique: Cet appareil est fourni avec une fiche polarisée (une broche large) pour réduire le risque d'électrocution. Cette fiche n'entre que dans un seul sens dans une prise polarisée. Ne contrecarrez pas l'objectif sécuritaire de cette fiche en la modifiant de quelque manière que ce soit ou en utilisant un adaptateur. Si vous ne pouvez pas insérer complètement la fiche dans la prise, inversez la fiche. Si elle refuse toujours de s'insérer, faire remplacer la prise par un électricien.

La longueur du cordon installé sur cet appareil a été sélectionnée afin de

réduire les risques d'enchevêtrement ou de faux pas causés par un fil trop long. L'utilisation d'une rallonge approuvée est permise si le cordon est trop court. Les caractéristiques électriques de la rallonge doivent être équivalentes ou supérieures aux caractéristiques de l'appareil. Prendre toutes les précautions nécessaires pour installer la rallonge de manière à ne pas la faire courir sur le comptoir ou sur une table pour éviter qu'un enfant ne tire sur le cordon ou trébuche accidentellement.

Pour éviter la surcharge du circuit électrique, ne pas utiliser un autre appareil à haute puissance sur le même circuit que cet appareil.

Conseils de sécurité pour la verseuse



Ce symbole vous indique les dangers possibles de blessures corporelles si vous omettez de lire et de suivre ces précautions de sécurité.



Ce symbole vous rappelle que le verre est fragile et qu'une brisure peut entraîner des blessures corporelles.

- N'utiliser pas une verseuse fêlée ou dont la poignée est desserrée.
- Cette verseuse est conçue pour être utilisée uniquement sur la plaque chauffante de votre cafetière. Éviter de la faire fonctionner sur le dessus d'une cuisinière électrique ou à gaz, ou dans un four à micro-ondes ou conventionnel.
- Pour éviter de la briser, manipuler la verseuse avec soin. Éviter tout impact car le verre cassera. Lorsque vous la remplissez d'eau, agir avec précaution pour éviter de heurter un robinet.
- Ne placer pas la verseuse chaude sur une surface froide ou humide. Laisser refroidir avant de la nettoyer ou d'y verser un liquide.
- Ne laisser pas une verseuse vide sur une surface chauffante.
- Éviter de nettoyer la verseuse avec des produits qui égratignent comme les tampons en laine d'acier ou les produits nettoyants abrasifs.
- N'insérer pas les mains dans la verseuse. Manipuler celle-ci avec soin si vous portez des bijoux, particulièrement des bagues avec diamants. Les bijoux peuvent égratigner le verre, ce qui augmente la possibilité de casse.
- Éviter de heurter, d'égratigner la cafetière ou de laisser l'eau s'évaporer entièrement.
- Jeter immédiatement la verseuse lorsque celle-ci est craquelée, égratignée, ou chauffée à vide durant une longue période.
- Afin d'éviter les accidents, ne verser pas le liquide en faisant face aux gens.
- Pour remuer le liquide dans la verseuse, n'utiliser que des ustensiles en plastique, en bois ou en caoutchouc. N'utiliser pas d'ustensiles en métal.
- Veuillez suivre à la lettre ces précautions de sécurité pour éviter toute brûlure grave qui pourrait être causée par le bris d'une verseuse remplie de liquide chaud.

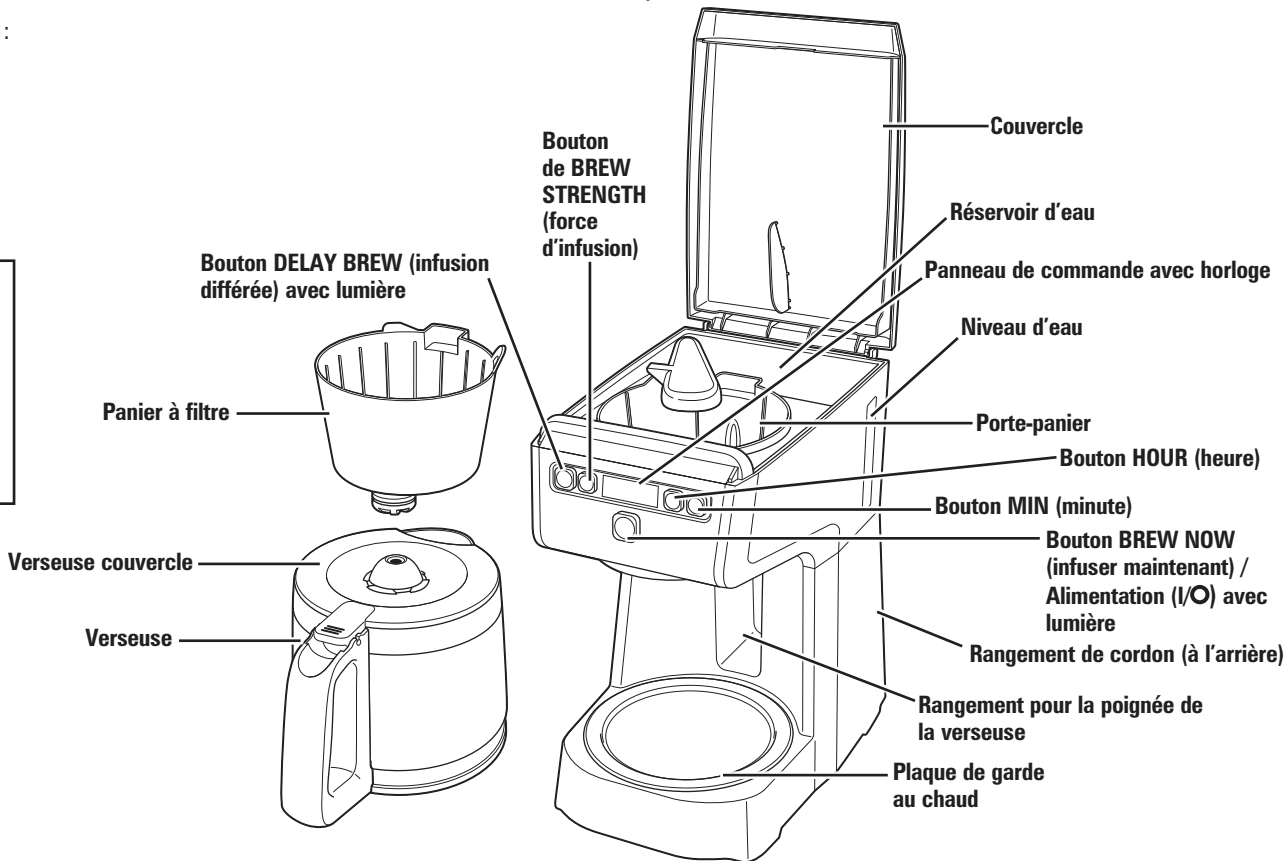
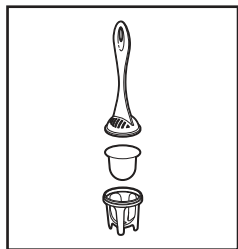
Pièces et caractéristiques

Pour commander des pièces :

Canada : 1.800.267.2826

www.hamiltonbeach.ca

Filter à eau en option

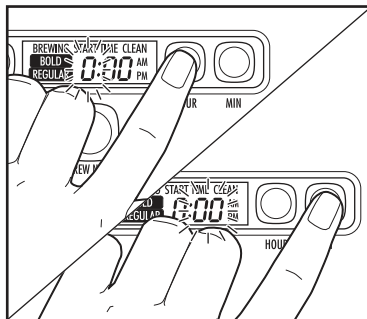


Préparation du café

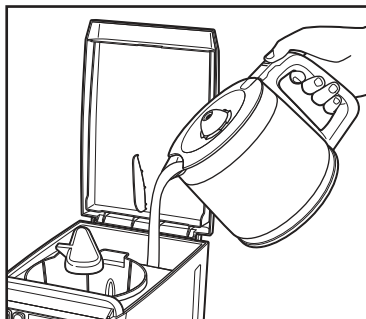
⚠ AVERTISSEMENT Risque de brûlures. Si du café déborde du panier du filtre, débrancher la cafetière et laisser le café se trouvant dans le panier du filtre refroidir avant de retirer le panier du filtre. Pour éviter que le café chaud ne déborde du panier-filtre:

- La verseuse doit être remise en place dans les 20 secondes après avoir été retirée pour empêcher tout débordement.
- Ne dépasser pas les quantités recommandées par le fabricant de café. Voir « Dépannage ».

⚠ AVERTISSEMENT Risque de choc. Ne pas immerger le cordon, la fiche ou la cafetière dans aucun liquide.



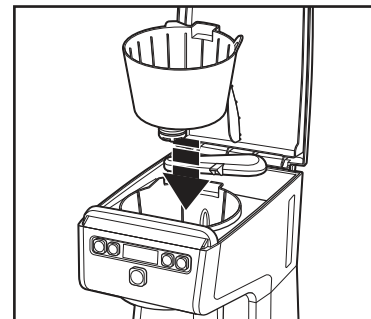
1. Brancher dans la prise électrique. Pour régler l'heure, appuyer le bouton HOUR (heures) par impulsion jusqu'à l'heure souhaitée. Appuyer le bouton MIN (minutes) par impulsion pour augmenter les minutes. L'écran affichera l'heure réglée.



2. Soulever le couvercle pour ajouter l'eau. Remplir la verseuse avec de l'eau froide.

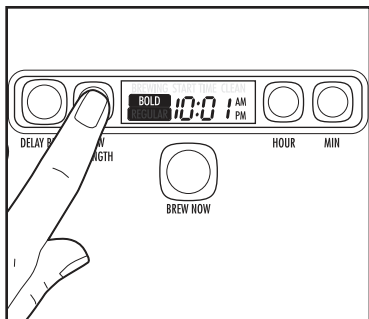


3. Pour la préparation de chaque tasse de café de 148 ml (5 oz.), ajouter une cuillère à table de café moulu par tasse dans le filtre.

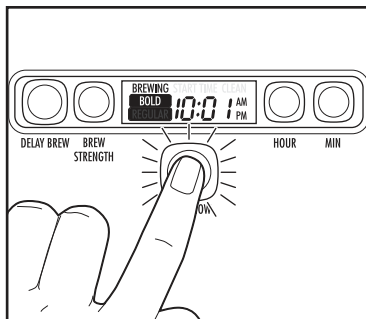


4. Aligner le panier d'infusion avec le porte-panier et refermer le couvercle.

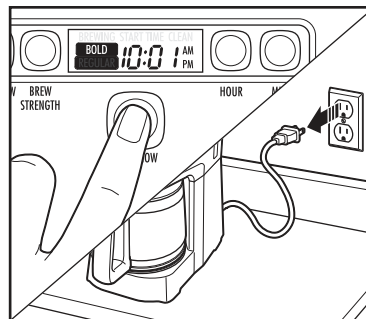
Préparation du café (suite)



5. Pour un café plus corsé, appuyer le bouton BREW STRENGTH (intensité de l'infusion) par impulsion pour sélectionner BOLD (corsé) ou appuyer à nouveau pour sélectionner REGULAR (régulier).
REMARQUE : L'utilisation de l'option d'infusion BOLD (corsé) augmentera légèrement la durée d'infusion.



6. Appuyer sur le bouton BREW NOW (infuser maintenant) pour démarrer la machine à café. Le bouton s'allumera en rouge lors de l'infusion et l'écran affichera BREWING (infusion).



7. Lorsque l'infusion est terminée, appuyer sur le bouton BREW NOW (infuser maintenant) / Alimentation (I/O) pour éteindre la machine. Débrancher.

REMARQUE :

- Cette machine à café est équipée d'une valve pour pause automatique et service. La verseuse peut être retirée durant l'infusion afin de verser une tasse de café, et doit être placé à nouveau sur la plaque garde au chaud dans les 20 secondes.
- Si la machine à café ne s'éteint pas manuellement, elle s'éteindra automatiquement après 2 heures et le bouton BREW NOW (infuser maintenant) / Alimentation (I/O) s'éteindra.

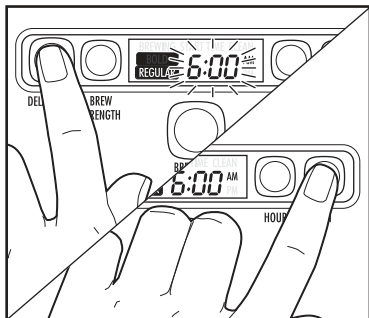
Tableau d'infusion

REMARQUE : Les mesures peuvent varier en fonction du type de café utilisé ou de l'intensité souhaitée.

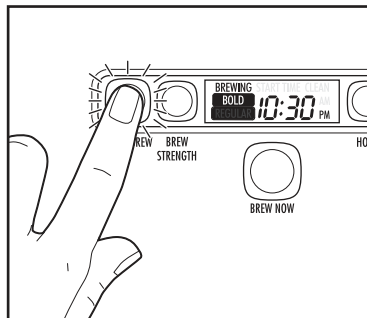
Tasses de café à préparer*	Quantité d'eau nécessaire à l'infusion	Quantité de café moulu nécessaire
12	60 oz (1774 ml)	12 Tbsp (60 g)
10	50 oz (1478 ml)	10 Tbsp (50 g)
8	40 oz (1183 ml)	8 Tbsp (40 g)
6	30 oz (887 ml)	6 Tbsp (30 g)
4	20 oz (591 ml)	4 Tbsp (20 g)

* 1 tasse de café standard = 148 ml (5 oz.)

Pour programmer le mode DELAY BREW (infusion différée)



1. Appuyer et maintenir le bouton DELAY BREW (infusion différée). Ensuite, appuyer sur le bouton HOUR (heures) par impulsion pour régler l'heure souhaitée en AM ou PM.
2. Appuyer le bouton MIN (minutes) par impulsion pour augmenter et régler les minutes. L'écran affichera l'heure réglée sans clignoter. Relâcher le bouton DELAY BREW (infusion différée) et l'écran affichera l'heure actuelle.



3. Appuyer et maintenir le bouton DELAY BREW (infusion différée) à nouveau pour démarrer la programmation. Le bouton DELAY BREW (infusion différée) s'allumera en vert jusqu'à ce que l'infusion démarre, à l'heure réglée.

Conseils pour obtenir un excellent café

- Tous les cafés sont faits à partir de grains arabica ou robusta ou une combinaison des deux. Les grains Arabica sont légèrement plus coûteux, mais ont tendance à produire le meilleur café.
- Le café moulu s'évente beaucoup plus rapidement que les grains entiers. Si vous achetez du café moulu, choisissez un paquet avec la date d'expiration la plus tardive ou une plus petite quantité.
- Pour mouliner des grains entiers, réglez votre moulin à café sur un réglage fine / moyen. Ceci donnera des moutures au meilleur arôme. Essayez d'utiliser du café fraîchement moulu dans la semaine qui suit.
- Utiliser un filtre à eau, de l'eau filtrée ou en bouteille donne un café de meilleur arôme que d'utiliser de l'eau du robinet.
- Utilisez environ 1 cuillère à soupe de café moulu pour chaque tasse de café à infuser. Pour le café décaféiné et les cafés aromatisés, utilisez environ 1/3 de moins de café moulu pour éviter les débordements.
- Assurez-vous que la cafetière est propre. Consultez le chapitre « Entretien et nettoyage ».

Entretien et nettoyage

⚠ AVERTISSEMENT Risque de choc. Ne pas immerger le cordon, la fiche ou la cafetière dans aucun liquide.

1. Débrancher la machine à café.
2. La verseuse, le couvercle de la verseuse et le panier-filtre vont au lave-vaisselle dans le panier supérieur seulement, ou peuvent être lavés dans de l'eau chaude savonneuse. Rincer et sécher.
3. Essuyer l'extérieur de la machine à café à l'aide d'un chiffon doux et humide et sécher. Ne pas utiliser de nettoyants abrasifs, car ils vont égratigner le fini.
4. Pour faciliter le rangement, insérer la poignée de la verseuse dans le compartiment de rangement pour la poignée de la verseuse, et ranger le cordon d'alimentation dans l'ouverture du rangement pour cordon d'alimentation.

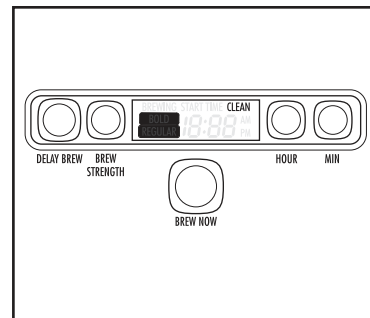
Utilisation du rappel de nettoyage

RAPPEL DE NETTOYAGE

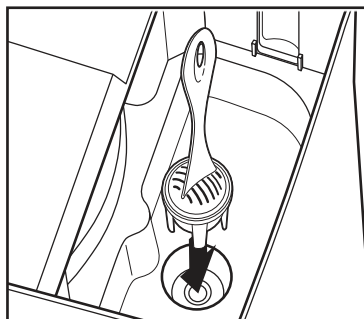
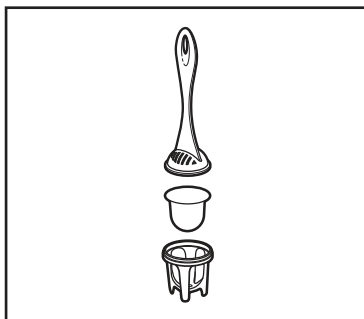
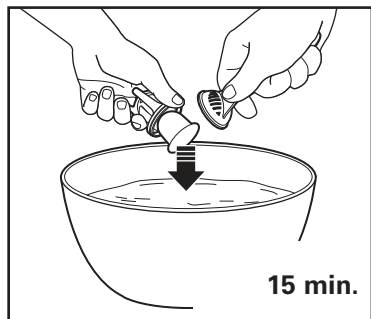
Si l'appareil n'a pas été débranché, le mot « CLEAN » (nettoyage) défilera à l'afficheur après 30 cycles. Suivre les instructions au chapitre « Entretien et nettoyage ».

L'écran affichera « CLEAN » (nettoyer) durant les 2 prochains cycles d'infusion.

La mention « CLEAN » (nettoyer) disparaîtra de l'écran et le compteur de cycles d'infusion se réinitialisera.



Comment remplacer le filtre à eau (accessoire en option)



Pour obtenir un café qui a meilleur goût, utiliser un filtre à eau.

Nous vous recommandons de changer le filtre tous les 60 cycles.

Dépannage

Le panier de filtre déborde ou le café infuse lentement.

- La mouture du café est trop fine ou vous avez utilisé du café décaféiné. Faire une infusion de café décaféiné en mode BOLD (corsé) en appuyant sur BREW STRENGTH (intensité de l'infusion).
- Quantités excessives de café. Veuillez réduire la quantité de café dans le panier-filtre muni d'un filtre en papier de 8 à 12 tasses en forme de panier
- La verseuse n'est pas placée solidement sur la plaque garde au chaud. Mettre la verseuse directement au centre de la plaque garde au chaud.
- La verseuse a été retirée au cours de l'infusion pendant plus de 20 secondes et n'a pas été replacée solidement sur la plaque garde au chaud. Remettre la verseuse en place sur la plaque garde au chaud avec que les 20 secondes ne soient écoulées.
- La machine à café doit être nettoyée. Veuillez consulter la section « Entretien et nettoyage ».
- Le filtre en papier en forme de panier n'est pas bien ouvert et en bonne position. Rincer le panier à filtre avant d'y placer le filtre en papier pour que les bords de celui-ci adhèrent aux parois humides du panier.

La cafetière n'infuse pas de café/l'appareil ne se met pas en marche.

- Le réservoir d'eau est vide. Remplir le réservoir d'eau avec de l'eau froide jusqu'au niveau souhaité.
- L'appareil est débranché. Brancher dans une prise de courant. Veuillez suivre les instructions à la section « Comment préparer du café ».
- Il y a eu une surtension électrique. Débrancher l'appareil et brancher-le à nouveau. L'horloge doit être réglée de nouveau après la panne d'électricité.

Garantie limitée

Cette garantie s'applique aux produits achetés et utilisés aux É.-U. et au Canada. C'est la seule garantie expresse pour ce produit et est en lieu et place de tout autre garantie ou condition.

Ce produit est garanti contre tout défaut de matériaux et de main-d'oeuvre pour une période des cinq (5) ans à compter de la date d'achat d'origine au Canada et un (1) an à compter de la date d'achat d'origine aux É.-U. Au cours de cette période, votre seul recours est la réparation ou le remplacement de ce produit ou tout composant s'avérant défectueux, à notre gré, mais vous êtes responsable de tous les coûts liés à l'expédition du produit et le retour d'un produit ou d'un composant dans le cadre de cette garantie. Si le produit ou un composant n'est plus offert, nous le remplacerons par un produit similaire de valeur égale ou supérieure.

Cette garantie ne couvre pas le verre, les filtres, l'usure d'un usage normal, l'utilisation non conforme aux directives imprimées, ou des dommages au produit résultant d'un accident, modification, utilisation abusive ou incorrecte. Cette garantie s'applique seulement à l'acheteur original ou à la personne l'ayant reçu en cadeau. La présentation du reçu de vente d'origine comme preuve d'achat est nécessaire pour faire une réclamation au titre de cette garantie. Cette garantie s'annule si le produit est utilisé autrement que par une famille ou si l'appareil est soumis à toute tension ou forme d'onde différente des caractéristiques nominales précisées sur l'étiquette (par ex. : 120 V ~ 60 Hz).

Nous excluons toutes les réclamations au titre de cette garantie pour les dommages spéciaux, consécutifs et indirects causés par la violation de garantie expresse ou implicite. Toute responsabilité est limitée au prix d'achat. **Chaque garantie implicite, y compris toute garantie ou condition de qualité marchande ou d'adéquation à un usage particulier, est exonérée, sauf dans la mesure interdite par la loi, auquel cas la garantie ou condition est limitée à la durée de cette garantie écrite.** Cette garantie vous donne des droits légaux précis. Vous pouvez avoir d'autres droits qui varient selon l'endroit où vous habitez. Certaines provinces ne permettent pas les limitations sur les garanties implicites ou les dommages spéciaux ou indirects de telle sorte que les limitations ci-dessus ne s'appliquent peut-être pas à votre cas.

Ne pas retourner cet appareil au magasin lors d'une réclamation au titre de cette garantie. Téléphoner au 1.800.851.8900 aux É.-U. ou au 1.800.267.2826 au Canada ou visiter le site internet www.hamiltonbeach.com aux É.-U. ou www.hamiltonbeach.ca au Canada. Pour un service plus rapide, trouvez le numéro de modèle, le type d'appareil et les numéros de série sur votre appareil.

SALVAGUARDIAS IMPORTANTES

Cuando utilice artefactos eléctricos, siempre deben seguirse precauciones de seguridad básicas a fin de reducir el riesgo de incendio, descarga eléctrica, y/o lesiones a personas, incluyendo las siguientes:

1. Lea todas las instrucciones.
2. Este aparato no se destina para utilizarse por personas (incluyendo niños) cuyas capacidades físicas, sensoriales o mentales sean diferentes o estén reducidas, o carezcan de experiencia o conocimiento, a menos que dichas personas reciban una supervisión o capacitación para el funcionamiento del aparato por una persona responsable de su seguridad.
3. Se requiere de una estrecha supervisión cuando el aparato se use por o cerca de niños. Los niños deben supervisarse para asegurar que ellos no empleen los aparatos como juguete.
4. Verifique que el voltaje de su instalación corresponda con el del producto.
5. No toque superficies calientes. Use manijas o perillas. Se debe de tener cuidado, ya que pueden ocurrir quemaduras al tocar partes calientes o líquido caliente derramado.
6. Para protegerse de una descarga eléctrica no sumerja el cordón, el enchufe o la cafetera en el agua o en otro líquido.
7. Desenchúfelo del tomacorriente cuando ya sea que la cafetera o reloj no estén en uso o antes de limpiar. Deje enfriar antes de poner o quitar partes y antes de limpiar el aparato.
8. La cafetera debe funcionar sobre una superficie plana lejos de borde de una cubierta para prevenir que se ladee.
9. El uso de accesorios no recomendados por el fabricante de electrodomésticos puede causar lesiones.
10. No opere ningún aparato con cables o enchufe dañados o después de que el aparato funcione mal o se caiga o dañe de cualquier manera. El reemplazo del cable de suministro y las reparaciones deben ser efectuadas por el fabricante, su agente de servicio, o personas igualmente calificadas para poder evitar un peligro. Llame al número de servicio al cliente proporcionado para información sobre examinación, reparación o ajuste.
11. Use solo la jarra provista con este aparato.
12. No lo use al aire libre.
13. No deje que el cordón cuelgue sobre el borde de una mesa o de un mostrador, o que toque alguna superficie caliente, incluyendo la superficie de una estufa.
14. La jarra está diseñada para uso con esta cafetera. No debe usarse sobre una estufa o o en un horno de microondas.
15. No ponga una jarra caliente sobre una superficie mojada o fría.
16. No use una jarra quebrada o una con manijas flojas o debilitadas.
17. No limpie la jarra con limpiadores, estropajos de acero u otros materiales abrasivos.
18. Revise que la tapa de la jarra esté colocada de manera segura en su lugar durante el ciclo de preparación y cuando vierta café. No use fuerza cuando coloque la tapa en la jarra.
19. No coloque la cafetera sobre o cerca de un quemador de gas o eléctrico caliente o en un horno caliente.
20. Para desconectar la cafetera, ponga los controles en APAGADO (●), luego remueva el enchufe de la toma de pared. Para desconectarlo, agarre el enchufe y retire del tomacorrientes. Nunca tire el cable de alimentación.
21. **iADVERTENCIA!** Para reducir el riesgo de fuego o descarga eléctrica, no remueva la cubierta inferior. No hay partes servibles en el interior. La reparación debe hacerse por personal de servicio autorizado únicamente.
22. No use el aparato para otro uso más que para el que fue diseñado.
23. La placa calentadora puede permanecer caliente después de haber apagado la cafetera.
24. No coloque la cafetera en un gabinete cuando esté en uso.

GUARDE ESTAS INSTRUCCIONES

Otra información de seguridad para el cliente

Este aparato ha sido diseñado solamente para uso doméstico

⚠ ADVERTENCIA Riesgo de descarga eléctrica: Este aparato es provisto con un enchufe polarizado (una pata más ancha) para reducir el riesgo de una descarga eléctrica. El enchufe embona únicamente en una dirección dentro de un tomacorriente polarizado. No trate de obviar el propósito de seguridad del enchufe modificándolo de alguna manera o utilizando un adaptador. Si el enchufe no entra completamente en la toma, invierta el enchufe. Si aún no entra, haga que un electricista reemplace la toma.

El largo del cable que se usa en este aparato fue seleccionado para reducir el peligro de que alguien se enganche o tropiece con un cable más largo. Si es necesario usar un cable más largo, se podrá usar un cable de extensión aprobado. La clasificación eléctrica nominal del cable de extensión debe ser igual o mayor que la clasificación nominal del aparato. Es importante tener cuidado de colocar el cable de extensión para que no se pliegue sobre el mostrador o la mesera en donde niños puedan tirar del mismo o tropezarse accidentalmente.

Para evitar una sobrecarga eléctrica del circuito, no use otro aparato de alto voltaje en el mismo circuito con este aparato.

Consejos de seguridad de la jarra



Este símbolo le advierte de un riesgo potencial de lesiones personales si no se leen y siguen estas instrucciones de seguridad.



Este símbolo le recuerda que el vidrio es frágil y que puede romperse resultando en lesiones personales.

- Nunca use una jarra rajada o una cuya agarradera esté floja o débil.
- Esta jarra está diseñada para usarse solo sobre la placa que mantiene caliente el café de su cafetera. No la use encima de una estufa eléctrica o de gas o en el interior de un horno de microondas o un horno convencional.
- Para evitar rupturas, maneje la jarra cuidadosamente. Evite los impactos. El vidrio se romperá como resultado de un impacto. Tenga cuidado al llenar la jarra con agua para evitar golpearla con el grifo.
- Nunca deposite la jarra caliente sobre una superficie húmeda o fría. Permita que se enfríe antes de lavarla o de agregarle algún líquido.
- Nunca deposite la jarra vacía encima de una superficie de calentamiento que esté caliente.
- No la limpie con estropajos de fibra metálica, limpiadores abrasivos o cualquier otro material que pudiese rayarla.
- No coloque las manos dentro de la jarra. Cuando la esté manipulando, tenga cuidado si usa joyas en sus manos, particularmente anillos de diamantes. Las joyas pueden rayar el vidrio, lo que aumenta la posibilidad de que se rompa.
- No la golpee, raye ni permita que se sobrecaliente en seco.
- Si es que la jarra está rajada, rayada o se mantuvo caliente estando vacía por un período prolongado de tiempo, deshágase de ella.
- Para evitar accidentes no vierta líquidos en dirección a las personas.
- Si necesita revolver el contenido de la jarra, use utensilios de madera, plástico o hula solamente. Nunca use utensilios de metal.
- Siga cuidadosamente las instrucciones mencionadas anteriormente para evitar quemaduras serias que pudiesen resultar si es que alguna jarra se rompiese mientras contenga líquidos calientes.

Piezas y características

Para ordenar partes:

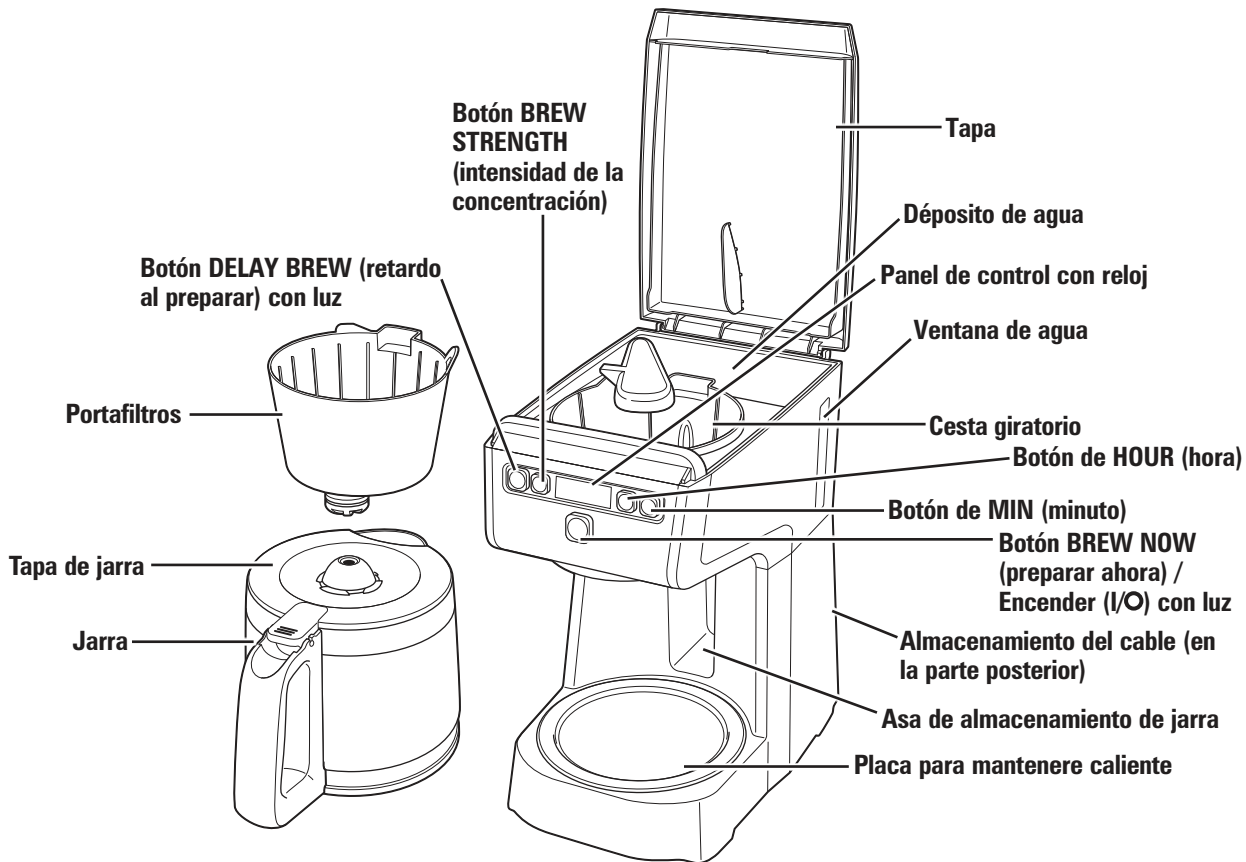
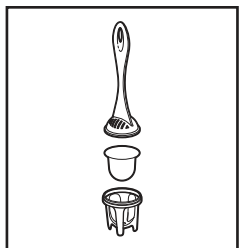
EE. UU.: 1.800.851.8900

www.hamiltonbeach.com

México: 800 71 16 100

Antes del primer uso: Lave todas las piezas desmontables en agua caliente jabonosa. Enjuague y seque. Prepare un ciclo con agua y descarte el agua.

Filtro de agua en option

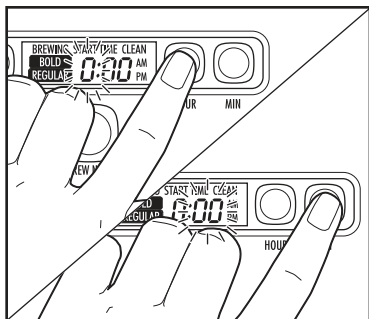


Cómo preparar café

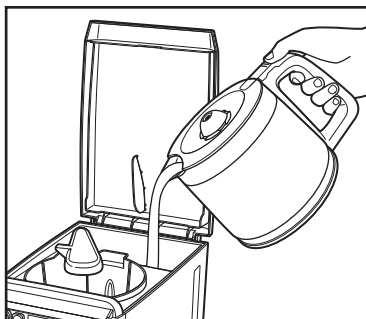
⚠ ADVERTENCIA Riesgo de quemaduras. Si ocurre un desborde de la canastilla de filtro, desconecte la cafetera y deje que el café en la canastilla de filtro se enfríe antes de remover la canastilla de filtro. Para evitar que el café caliente se desborde de la cesta del filtro:

- La jarra debe reemplazarse dentro de 20 segundos de haberse retirado para evitar el desbordamiento.
- No exceda la cantidad de porción recomendada por el fabricante de café. Vea “Resolviendo problemas.”

⚠ ADVERTENCIA Riesgo de descarga eléctrica. No sumerja el cable, enchufe o cafetera en ningún líquido.



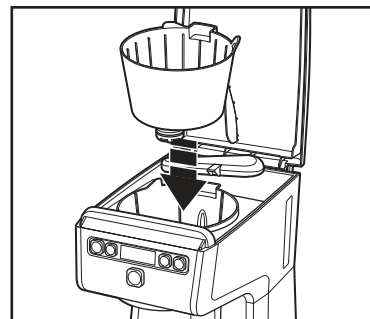
1. Enchufe en un tomacorriente. Para configurar la hora, presione y libere el botón HOUR (hora) hasta alcanzar la hora deseada. Presione y libere el botón MIN (minutos) para aumentar los minutos. La hora establecida aparecerá en la pantalla.



2. Levante la tapa para agregar agua. Llene la jarra con agua fría.

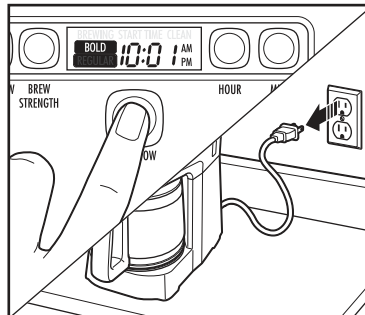
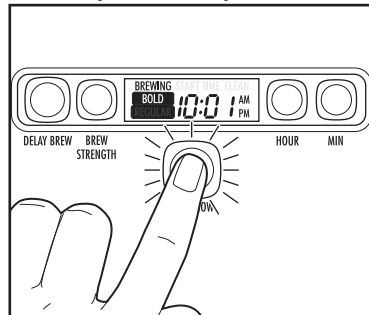
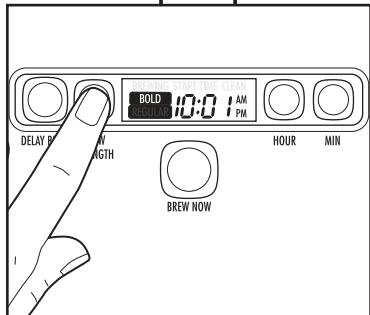


3. Por cada taza de café de 5 onzas (148 mL) que desee preparar, coloque una cucharada rasa de café molido en el filtro.



4. Alinee la canastilla de preparación con el apoyo de la canastilla y cierre la tapa.

Cómo preparar café (cont.)



5. Para un café más fuerte, presione el botón BREW STRENGTH (concentración) para seleccionar BOLD (cargado) o presione nuevamente para seleccionar REGULAR.

NOTA: Al usar la opción de concentración BOLD (cargado) aumentará ligeramente la duración del tiempo de preparación.

6. Presione el botón BREW NOW para encender la cafetera. El botón se iluminará en rojo al estar preparando y aparecerá BREWING (en preparación) en la pantalla.

7. Cuando finalice la preparación, presione el botón BREW NOW (preparar ahora) / Encender (I/O) para apagar. Desenchufe.

NOTAS:

- Esta cafetera tiene Pausa automática y Servir. La jarra se puede extraer durante la preparación para servir una taza de café y se debe volver a colocar de forma segura en la placa mantener caliente dentro de 20 segundos.
- Si la cafetera no se apaga manualmente, se apagará automáticamente en 2 horas y la luz BREW NOW (preparar ahora) / Encender (I/O) se apagará.

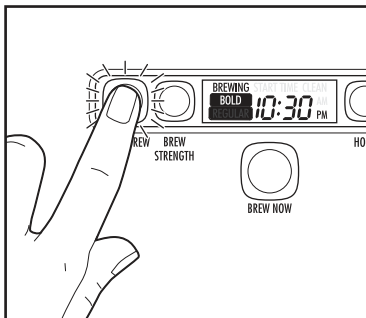
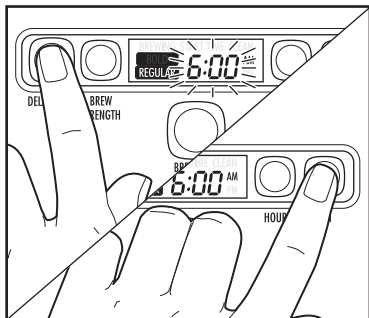
Tabla de elaboración

NOTA: Las medidas pueden variar según el tipo de café utilizado o la concentración deseada.

Tazas de café a preparar*	Agua necesaria para elaborar	Café molido necesario
12	60 oz (1774 ml)	12 Tbsp (60 g)
10	50 oz (1478 ml)	10 Tbsp (50 g)
8	40 oz (1183 ml)	8 Tbsp (40 g)
6	30 oz (887 ml)	6 Tbsp (30 g)
4	20 oz (591 ml)	4 Tbsp (20 g)

*1 taza de café estándar = 5 oz (148 mL)

Para programar DELAY BREW (retardo al preparar)



1. Mantenga presionado el botón DELAY BREW (retardo al preparar). Luego, presione y libere el botón HOUR (hora) para configurar la hora de preparación deseada en AM o PM.
2. Presione y libere el botón MIN (minutos) para aumentar y configurar los minutos. El tiempo establecido se mostrará en forma constante. Suelte el botón DELAY BREW (retardo al preparar) y se mostrará la hora actual.
3. Presione y suelte el botón DELAY BREW (retardo al preparar) nuevamente para comenzar a programar. El botón DELAY BREW (retardo al preparar) se iluminará en verde hasta que comience la preparación a la hora establecida.

Consejos para lograr un café más rico

- Todos los cafés están hechos de granos de arábica o robusta, o de una combinación de ambos. Los granos de arábica son un poco más caros pero tienden a producir un café de mejor sabor.
- El café molido se pone rancio más rápido que los granos enteros. Si compra café premolido, elija un paquete con la fecha de vencimiento más alejada o de menor cantidad.
- Si va a moler granos enteros, configure su molino de café en un molido fino/mediano. Esto genera el café molido de mejor sabor. Trate de utilizar el café recién molido dentro de la semana de molido.
- Usar un filtro de agua, agua filtrada o agua mineral genera un café más rico que usar agua de grifo.
- Utilice aproximadamente 1 cucharada de café molido por cada taza de café a preparar. Para evitar los desbordes, utilice 1/3 menos de café cuando prepare cafés descafeinados o saborizados.
- Asegúrese de que su cafetera esté limpia. Ver la sección "Cuidado y limpieza".

Cuidado y limpieza

⚠ ADVERTENCIA Riesgo de descarga eléctrica.

No sumerja el cable, enchufe o cafetera en ningún líquido.

1. Desenchufe la cafetera.
2. La jarra, la tapa de la jarra y la canasta del filtro son aptas para lavavajillas en la rejilla superior solamente o lave las piezas con agua caliente y jabón. Enjuague y seque.
3. Limpie el exterior de la cafetera con un paño suave y húmedo y luego séquelo. No use limpiadores abrasivos ya que rayarán el acabado.
4. Para un fácil almacenamiento, inserte el asa de la jarra en el almacenamiento de la manija de la jarra y coloque el cable en la abertura para almacenamiento del cable.

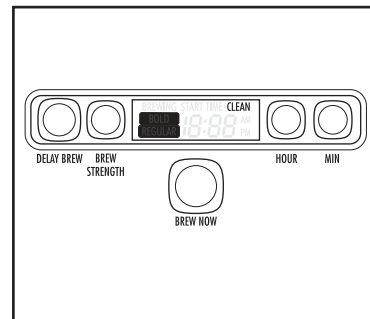
Cómo utilizar la notificación de limpieza

NOTIFICACIÓN DE LIMPIEZA

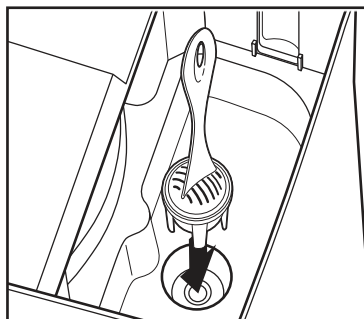
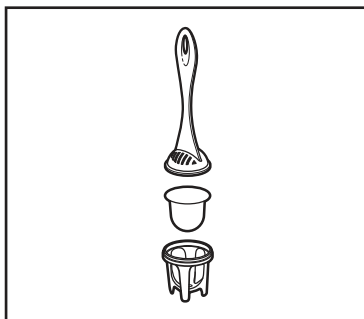
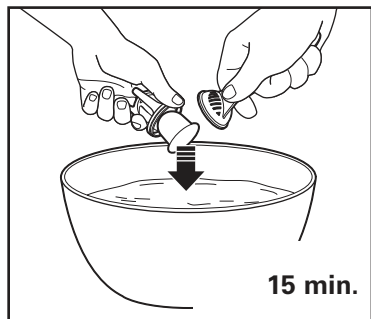
Si la unidad está siempre enchufada, aparecerá "CLEAN" (limpieza) en la pantalla después de 30 ciclos. Siga las instrucciones de "Cuidado y limpieza".

"CLEAN" (limpiar) permanecerá en la pantalla durante los próximos 2 ciclos de preparación.

Entonces "CLEAN" (limpiar) desaparecerá de la pantalla y el contador ciclos de preparación se reiniciará.



Cómo reemplazar el filtro de agua (accesorio opcional)



Para lograr un café de mejor sabor, use un filtro de agua. Se recomienda un cambio de filtro cada 60 ciclos.

Resolviendo problemas

El portafiltros se desborda o la preparación del café es muy lenta.

- Se usó café descafeinado o los granos estaban demasiado molidos. Prepare café descafeinado en BOLD (cargado) presionando BREW STRENGTH (concentración).
- Cantidades excesivas de café. Reduzca la cantidad de café en la canasta de filtro forrada con un filtro tipo cesta de papel para 8–12 tazas.
- La jarra no está colocada de manera segura en la placa Mantener caliente. Coloque la jarra directamente en el centro placa mantener caliente.
- La jarra se extrajo durante la preparación durante más de 20 segundos y no se volvió a colocar de forma segura en la placa mantener caliente. Regrese la jarra a la placa mantener caliente en 20 segundos o menos.
- La cafetera necesita limpieza. Vea “Cuidado y limpieza”.
- El filtro tipo cesta de papel no está abierto y en la posición correcta. Enjuague el portafiltros antes de insertar el filtro de papel para que los bordes permanezcan presionados contra los lados de la canasta.

No está en marcha la preparación del café/la unidad no enciende.

- El depósito de agua está vacío. Llene el depósito de agua con agua fría hasta el nivel deseado.
- La unidad está desenchufada. Enchufe en el tomacorriente. Siga las instrucciones de “Cómo preparar café”.
- Subida de voltaje. Desenchufe, luego enchufe la unidad de nuevo. El reloj necesita ser reajustado después de un corte de corriente.

Notas

GARANTÍA PARA PRODUCTOS COMPRADOS EN MÉXICO

PRODUCTO:

MARCA:

MODELO:

Grupo HB PS, S.A. de C.V. cuenta con una Red de Centros de Servicio Autorizada, por favor consulte en la lista anexa el nombre y dirección de los establecimientos en la República Mexicana en donde usted podrá hacer efectiva la garantía, obtener partes, componentes, consumibles y accesorios; así como también obtener servicio para productos fuera de garantía. Para mayor información llame al:

Centro de Atención al Consumidor: 800 71 16 100

Grupo HB PS, S.A. de C.V. le otorga a partir de la fecha de compra:

GARANTÍA DE 1 AÑO.

COBERTURA

- Esta garantía ampara, todas las piezas y componentes del producto que resulten con defecto de fabricación incluyendo la mano de obra.
- Grupo HB PS, S.A. de C.V. se obliga a reemplazar, reparar o reponer, cualquier pieza o componente defectuoso; proporcionar la mano de obra necesaria para su diagnóstico y reparación, todo lo anterior sin costo adicional para el consumidor.
- Esta garantía incluye los gastos de transportación del producto que deriven de su cumplimiento dentro de su red de servicio.

LIMITACIONES

- Esta garantía no ampara el reemplazo de piezas deterioradas por uso o por desgaste normal, como son: cuchillas, vasos, jarras, filtros, etc.
- Grupo HB PS, S.A. de C.V. no se hace responsable por los accidentes producidos a consecuencia de una instalación eléctrica defectuosa, ausencia de toma de tierra, clavija o enchufe en mal estado, etc.

EXCEPCIONES

Esta garantía no será efectiva en los siguientes casos:

- a) Cuando el producto se hubiese utilizado en condiciones distintas a las normales. (Uso industrial, semi-industrial o comercial.)
- b) Cuando el producto no hubiese sido operado de acuerdo con el instructivo de uso.
- c) Cuando el producto hubiese sido alterado o reparado por personas no autorizadas por Grupo HB PS, S.A. de C.V. el fabricante nacional, importador o comercializador responsable respectivo.

El consumidor puede solicitar que se haga efectiva la garantía ante la propia casa comercial donde adquirió su producto, siempre y cuando Grupo HB PS, S.A. de C.V. no cuente con talleres de servicio.

PROCEDIMIENTO PARA HACER EFECTIVA LA GARANTÍA

- Para hacer efectiva la garantía, lleve su aparato al Centro de Servicio Autorizado más cercano a su domicilio (consulte la lista anexa).
- Si no existe Centro de Servicio Autorizado en su localidad llame a nuestro Centro de Atención al Consumidor para recibir instrucciones de como hacer efectiva su garantía.

FECHA DE ENTREGA	SELLO DEL VENDEDOR	QUEJAS Y SUGERENCIAS
DÍA _____ MES _____ AÑO _____		Si desea hacer comentarios o sugerencias con respecto a nuestro servicio o tiene alguna queja derivada de la atención recibida en alguno de nuestros Centros de Servicio Autorizados, por favor dirigirse a: GERENCIA INTERNACIONAL DE SERVICIO 800 71 16 100 Email: mexico.service@hamiltonbeach.com

CENTROS DE SERVICIO AUTORIZADOS

Ciudad de México

ELECTRODOMÉSTICOS

Av. Plutarco Elias Calles No. 1499
Zacahuitzco, Benito Juárez,
Ciudad de México, C.P. 09490
Tel: 55 5235 2323

CASA GARCÍA

Av. Patriotismo No. 875-B
Mixcoac, Benito Juárez,
Ciudad de México, C.P. 03910
Tel: 55 5563 8723

Nuevo León

FERNANDO SEPÚLVEDA REFACCIONES

Ruperto Martínez No. 238 Ote.
Centro Monterrey, 64000 N.L.
Tel: 81 8343 6700

Jalisco

SERVICIOS DE MANTENIMIENTO CASTILLO

Garibaldi No. 1450
Ladrón de Guevara
Guadalajara, 44660 Jal.
Tel: 33 3825 3480

Modelo:
46200

Tipo:
A134

Características eléctricas:
120 V~ 60 Hz 900 W

Los modelos incluidos en las instrucciones de Uso y cuidado pueden estar seguidos o no de un sufijo correspondiente a una o varias letras y sus combinaciones, separadas o no por un espacio, coma, barra o guión. Ejemplos de los sufijos pueden ser: "Y" y/o "MX" y/o "MXY" y/o "Z".