

Owner's Manual & Safety Instructions

Save This Manual Keep this manual for the safety warnings and precautions, assembly, operating, inspection, maintenance and cleaning procedures. Write the product's serial number in the back of the manual near the assembly diagram (or month and year of purchase if product has no number). Keep this manual and the receipt in a safe and dry place for future reference.

201

BauerTM

20115E-B

CORDED STRING TRIMMER



Visit our website at: <http://www.harborfreight.com>
Email our technical support at: productsupport@harborfreight.com

57610

When unpacking, make sure that the product is intact and undamaged. If any parts are missing or broken, please call 1-888-866-5797 as soon as possible.

Copyright© 2020 by Harbor Freight Tools®. All rights reserved.
No portion of this manual or any artwork contained herein may be reproduced in any shape or form without the express written consent of Harbor Freight Tools. Diagrams within this manual may not be drawn proportionally. Due to continuing improvements, actual product may differ slightly from the product described herein.
Tools required for assembly and service may not be included.

⚠ WARNING

Read this material before using this product.
Failure to do so can result in serious injury.
SAVE THIS MANUAL.

Table of Contents

Safety	2	Maintenance	12
Specifications	6	Parts List and Diagram	14
Setup	6	Warranty	16
Operation.....	9		

SAFETY



SETUP

WARNING SYMBOLS AND DEFINITIONS

	This is the safety alert symbol. It is used to alert you to potential personal injury hazards. Obey all safety messages that follow this symbol to avoid possible injury or death.
	Indicates a hazardous situation which, if not avoided, will result in death or serious injury.
	Indicates a hazardous situation which, if not avoided, could result in death or serious injury.
	Indicates a hazardous situation which, if not avoided, could result in minor or moderate injury.
	Addresses practices not related to personal injury.

OPERATION

IMPORTANT SAFETY INSTRUCTIONS

WARNING

When using electric gardening appliances, basic safety precautions should always be followed to reduce the risk of fire, electric shock, and personal injury, including the following:

READ ALL INSTRUCTIONS

Power Cord Safety



WARNING! - To reduce the risk of electric shock, use only with an extension cord intended for outdoor use, such as an extension cord of cord type

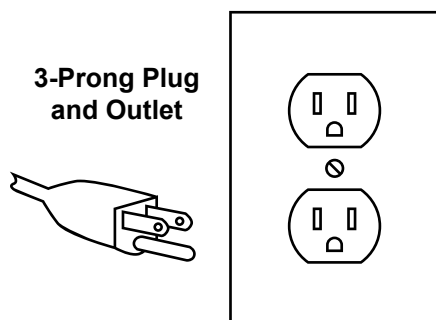
SW-A, SOW-A, STW-A, STOW-A, SJW-A, SJOW-A, SJTW-A. or SJTOW-A.

1. Ground Fault Circuit Interrupter (GFCI) protection should be provided on the circuit(s) or outlet(s) to be used for the gardening appliance. Receptacles are available having built-in GFCI protection and may be used for this measure of safety.

2. Do not Abuse Cord - Do not carry appliance by cord or yank it to disconnect from receptacle. Keep cord from heat, oil, and sharp edges.
3. Use only three-wire outdoor extension cords that have three-prong grounding plugs and grounding receptacles that accept the appliance's plug.

MAINTENANCE

- This appliance should be grounded while in use to reduce the risk of electric shock to the operator. The appliance is equipped with a 3-conductor cord and 3-prong grounding plug to fit the proper grounding receptacle. The green or green and yellow conductor in the cord is the grounding wire. Do not connect the green or green and yellow wire to a live terminal.



Your unit has a plug as illustrated above. The outlet used should look like the outlet illustrated above.

Do not remove the grounding prong from the plug. If the plug will not fit the outlet, have a proper outlet installed by a qualified electrician.

- Extension Cord - Make sure your extension cord is in good condition. When using an extension cord, be sure to use one heavy enough to carry the current your product will draw. An undersized extension cord will cause a drop in line voltage resulting in loss of power and overheating.

Extension Cord Size

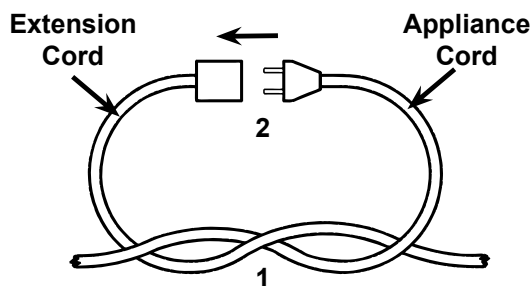
The following table shows the correct cord size to use depending on cord length and nameplate ampere rating. If in doubt, use the next heavier gauge. The smaller the gauge number, the heavier the cord.

Ampere Rating (at full load)	EXTENSION CORD LENGTH			
	25'	50'	100'	150'
0 – 6	18	16	16	14
6 – 10	18	16	14	12
10 – 12	16	16	14	12
12 – 16	14	12	Not recommended	

Connecting Cords



To reduce the risk of the cords pulling apart during operation, do one of the following:

- Make a knot as shown below then connect the cords:



- Or, use a plug-receptacle retaining strap or connector designed to hold extension cords to appliance cords.

Personal Safety

- Dress Properly - Do not wear loose clothing or jewelry. They can be caught in moving parts. Use of rubber gloves and substantial footwear is recommended when working outdoors. Wear protective hair covering to contain long hair.
- 
 Wear ANSI-approved safety goggles and heavy-duty work gloves. Use face or dust mask if operation is dusty.
- Avoid Unintentional Starting - Do not carry plugged-in appliance with finger on switch. Be sure switch is off when plugging in.
- Do not Overreach - Keep proper footing and balance at all times.
- Stay Alert - Watch what you are doing. Use common sense. Do not operate appliance when you are tired.
- People with pacemakers should consult their physician(s) before use. Electromagnetic fields in close proximity to heart pacemaker could cause pacemaker interference or pacemaker failure. In addition, people with pacemakers should:
 - Avoid operating alone.
 - Don't use with power switch locked on.
 - Properly maintain and inspect to avoid electrical shock.
 - Any power cord must be properly grounded. Ground Fault Circuit Interrupter (GFCI) should also be implemented – it prevents sustained electrical shock.
- Keep hands and feet away from cutting area.
- 
 Wear thick jeans and steel-toed work boots to help prevent injury caused by flying debris.

Gardening Appliance Use and Care

SAFETY

1. **Avoid Dangerous Environment - Do not use appliances in damp or wet locations.**
2. **Do not Use In Rain.**
3. **Keep Children Away - All visitors should be kept at a distance from work area.**
4. When servicing use only identical replacement parts.
5. Use Right Appliance - Do not use appliance for any job except that for which it is intended.
6. Do not Force Appliance - It will do the job better and with less likelihood of injury at the rate for which it was designed.
7. Store Idle Appliances Indoors - When not in use, appliances should be stored indoors in dry, and high or locked-up place - out of reach of children.
8. Maintain Appliance With Care - Keep cutting edge sharp and clean for best performance and to reduce the risk of injury. Follow instructions for lubricating and changing accessories. Inspect appliance cord periodically, and if damaged, have it repaired by an authorized service facility. Inspect extension cords periodically and replace if damaged. Keep handles dry, clean, and free from oil and grease.
9. Check Damaged Parts - Before further use of the appliance, a guard or other part that is damaged should be carefully checked to determine that it will operate properly and perform its intended function. Check for alignment of moving parts, binding of moving parts, breakage of parts, mounting, and any other condition that may affect its operation. A guard or other part that is damaged should be properly repaired or replaced by a qualified technician unless indicated elsewhere in this manual.
10. **Disconnect Appliance - Disconnect the appliance from the power supply when not in use, before servicing, when changing accessories such as blades, and the like.**
11. Keep guards in place and in working order.
12. **Keep blades sharp.**
13. **Do not use this appliance for edging operations. Debris may be forcefully thrown out resulting in serious injury.**
14. **Only replace the line on this appliance with the line material and diameter of line listed on the Specifications table. Other materials, such as wire, rope, or blades can damage the appliance and be forcefully and dangerously ejected from the appliance upon breaking.**

SETUP

Vibration Hazard

This appliance vibrates during use. Repeated or long-term exposure to vibration may cause temporary or permanent physical injury, particularly to the hands, arms and shoulders. To reduce the risk of vibration-related injury:

1. Anyone using vibrating appliances regularly or for an extended period should first be examined by a doctor and then have regular medical check-ups to ensure medical problems are not being caused or worsened from use. Pregnant women or people who have impaired blood circulation to the hand, past hand injuries, nervous system disorders, diabetes, or Raynaud's Disease should not use this appliance. If you feel any symptoms related to vibration (such as tingling, numbness, and white or blue fingers), seek medical advice as soon as possible.
2. Do not smoke during use. Nicotine reduces the blood supply to the hands and fingers, increasing the risk of vibration-related injury.
3. Wear suitable gloves to reduce the vibration effects on the user.
4. Use appliances with the lowest vibration when there is a choice between different processes.
5. Include vibration-free periods each day of work.
6. Grip appliance as lightly as possible (while still keeping safe control of it). Let the appliance do the work.
7. To reduce vibration, maintain the appliance as explained in this manual. If any abnormal vibration occurs, stop use immediately.

OPERATION

General Safety

1. The spool will continue to rotate for a few seconds after use. Allow it to stop completely and unplug it before putting the appliance down, making any adjustments, or servicing the appliance.
2. Do not use in rain, snow, sprinklers, or wet grass. Do not rinse off the Trimmer.
3. Use only during daylight hours.

MAINTENANCE

4. Carefully inspect the wire spool and guard before plugging in the Trimmer. Do not use Trimmer if any part is cracked or damaged.
5. Cover the Trimming Blade after every use.
6. Do not use appliance for other than intended use.
7. Maintain labels and nameplates on the appliance. These carry important safety information. If unreadable or missing, contact Harbor Freight Tools for a replacement.
8. The warnings, precautions, and instructions discussed in this instruction manual cannot cover all possible conditions and situations that may occur. It must be understood by the operator that common sense and caution are factors which cannot be built into this product, but must be supplied by the operator.



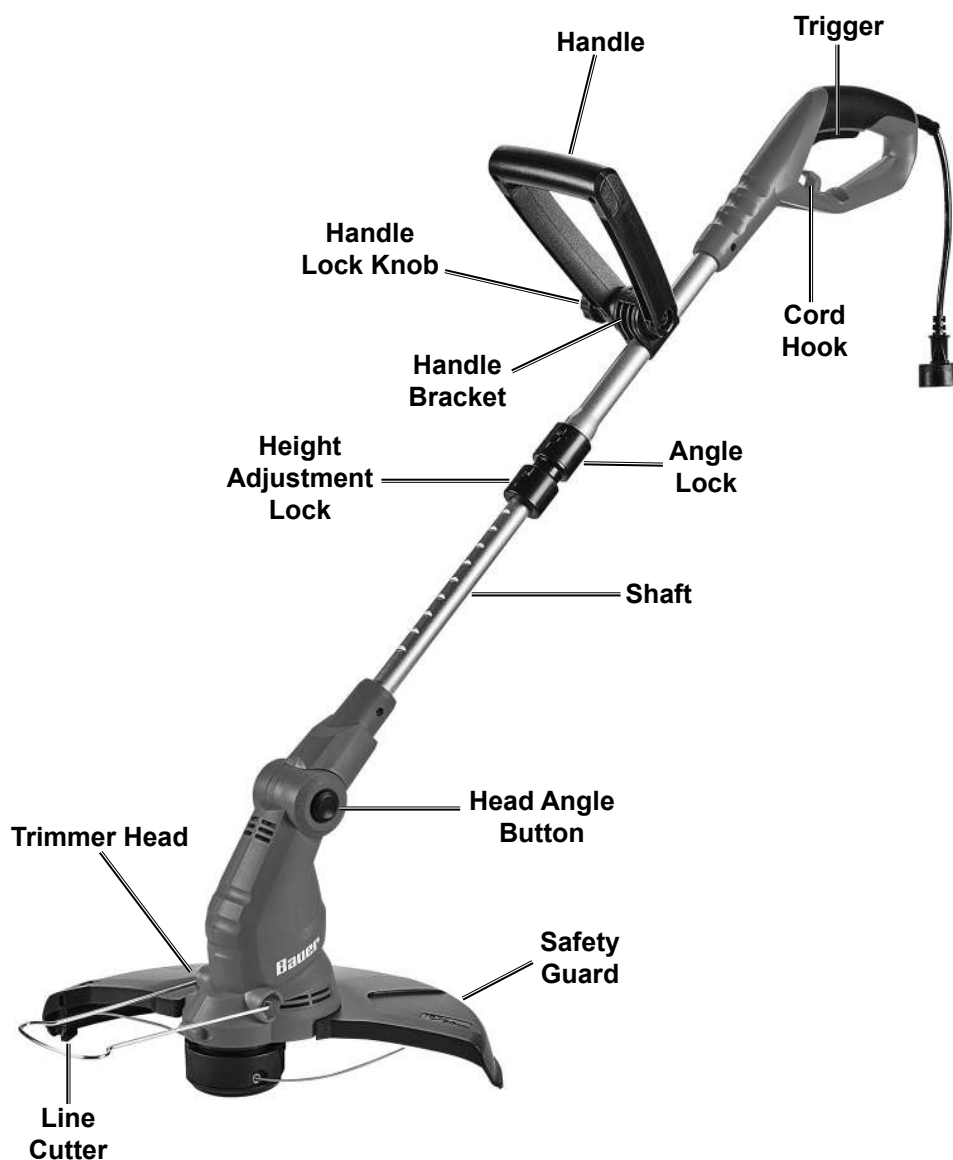
SAVE THESE INSTRUCTIONS.

BauerTM

Specifications

Electrical Rating	120VAC / 60Hz / 5.5A
No Load Speed	7500 RPM
Replacement Blade Line Type	.065" Nylon

Functions



Bauer[™]

SAFETY

SETUP

OPERATION

MAINTENANCE

Set Up Instructions



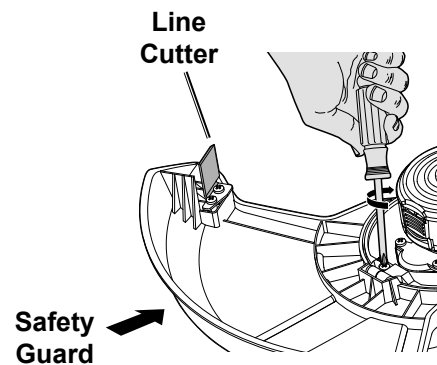
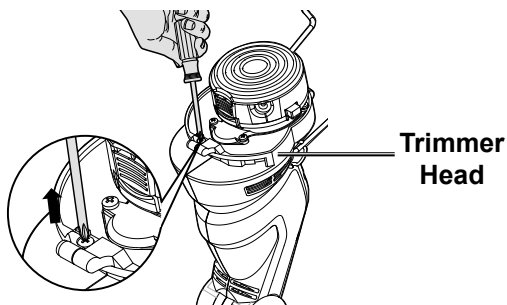
Read the **ENTIRE IMPORTANT SAFETY INSTRUCTIONS** section at the beginning of this manual including all text under subheadings therein before set up or use of this product.

Note: For additional information regarding the parts listed in the following pages, refer to the Assembly Diagram near the end of this manual.

Assembly

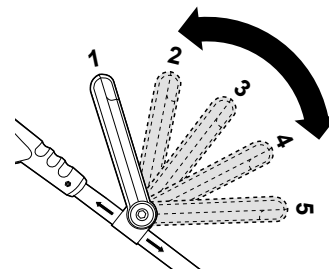
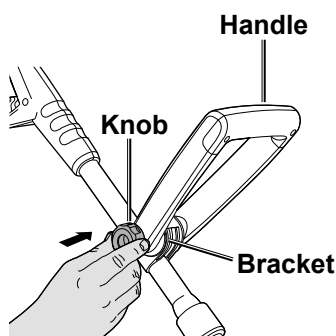
Install Safety Guard

1. CAUTION! TO PREVENT ACCIDENTAL CUTS: Cover Line Cutter with a blade cover before installing the Guard.
2. Remove Screw from bottom of Trimmer Head. See below.
3. Attach Safety Guard to Trimmer Head so that the Guard slides into the corresponding slots on the Head.
4. Turn Trimmer upside down and secure Safety Guard onto Trimmer Head with the Screw. See below.



Install Handle

1. Remove Handle Lock Knob from Handle.
2. Place Handle onto Handle Bracket.
3. Secure Handle to Bracket by placing Lock Knob and Lock Screw through Handle and Bracket.
4. To adjust Handle, manually move Handle forward or backward between 5 different locking positions.



5. To secure Handle, tighten Lock Knob. Make sure that Handle is in desired position before tightening fully.

Available Accessories/Attachments

⚠️ WARNING

Use of any accessory or attachment other than those listed below may increase the risk of serious injury.

Only replace the line on this appliance with the line material and diameter of line listed on the Specifications table. Other materials, such as wire, rope, or blades can damage the appliance and be forcefully and dangerously ejected from the appliance upon breaking.

Accessories and attachments are not available for this product.

SAFETY

SETUP

OPERATION

MAINTENANCE


Operating Instructions

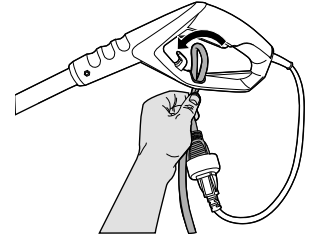


Read the **ENTIRE IMPORTANT SAFETY INFORMATION** section at the beginning of this manual including all text under subheadings therein before set up or use of this product.

General Operation

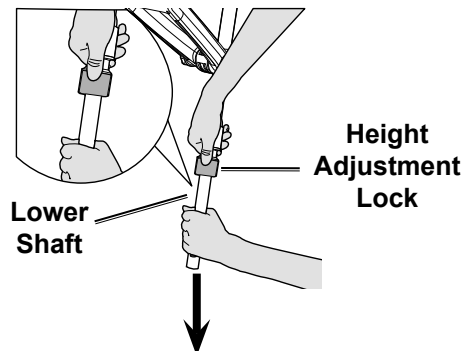
Cord Hook

1. An extension cord (sold separately) will be required. Ensure that the extension cord is an outdoor type extension cord and that it is the correct design to accept this appliance's plug.
2.  **WARNING!**
TO PREVENT ELECTRIC SHOCK AND SERIOUS PERSONAL INJURY:
The extension cord must remain secured to the appliance's plug.
3. Secure the extension cord using the cord hook as explained below.
 - a. Make a loop in the extension cord, and press that cord loop through the hole in the handle.
 - b. Hook that cord loop around the cord hook.
 - c. Make sure the Trigger is released, then plug the cord into the connector.



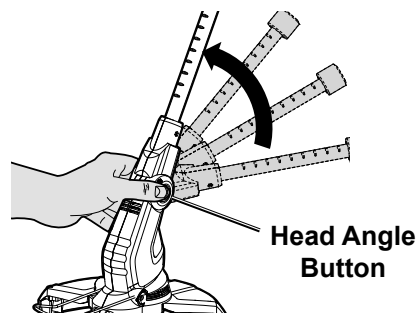
Adjust Shaft Height

Adjust height as necessary by pressing down on Height Adjustment Lock, pulling Lower Shaft out to desired length, then releasing Lock to secure Shaft in place.



Adjust Trimmer Head Angle

Adjust head angle by pressing the Head Angle Button, moving Trimmer Head until desired angle is achieved, then releasing button. See below.



Rotate Shaft

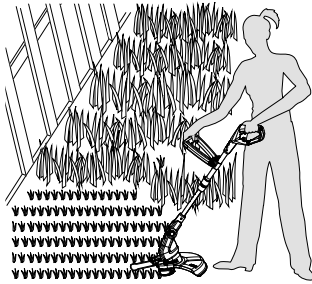
Rotate Shaft by pulling up on Angle Lock, rotating Upper Shaft clockwise 180° and releasing Angle Lock. The Upper Shaft will click into place.

Trimmer Operation

1. Before operating the gardening appliance, put on ANSI-approved safety goggles and other safety gear. Safety goggles and other safety gear are sold separately.

NOTICE: To prevent damage to tool or property, avoid contact with fences, trees, shrubs and the like.

2. Holding Trimmer with both hands, press Trigger.
3. **DO NOT REST TRIMMER ON GROUND.**
4. Do not force the Trimmer. Use the tip of the Line to do the cutting.

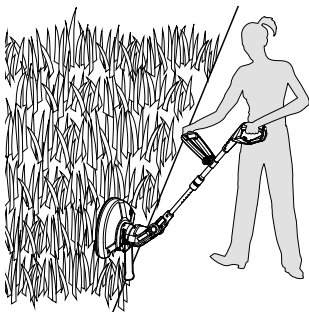


Edger Operation

1. Before operating the gardening appliance, put on ANSI-approved safety goggles and other safety gear. Safety goggles and other safety gear are sold separately.

NOTICE: To prevent damage to tool or property, avoid contact with fences, trees, shrubs and the like.

2. If head is in horizontal position, pull up on the Angle Lock, rotate Upper Shaft clockwise 180° and release Angle Lock. The Upper Shaft will click into place.
3. Place Trimmer Head above the area to be edged.



5. Release Trigger when done.
6. If an extension cord is used, ensure that it is an outdoor type extension cord and that it is the correct design to accept this appliance's plug.



WARNING!
TO PREVENT ELECTRIC SHOCK AND SERIOUS PERSONAL INJURY:

The extension cord must remain secured to the appliance's plug.

Secure the extension cord by either using the knot method explained in the safety warning section, or by using a device designed specifically for retaining the extension cord (sold separately).

7. To prevent accidents, turn off the appliance and unplug it after use. Clean, then store the appliance indoors out of children's reach.

4. Holding Trimmer with both hands, press Trigger.
5. Do not force the Trimmer. Use the tip of the Line to do the cutting.
6. Release Trigger when done.

7. If an extension cord is used, ensure that it is an outdoor type extension cord and that it is the correct design to accept this appliance's plug.



WARNING!
TO PREVENT ELECTRIC SHOCK AND SERIOUS PERSONAL INJURY:

The extension cord must remain secured to the appliance's plug.

Secure the extension cord by either using the knot method explained in the safety warning section, or by using a device designed specifically for retaining the extension cord (sold separately).

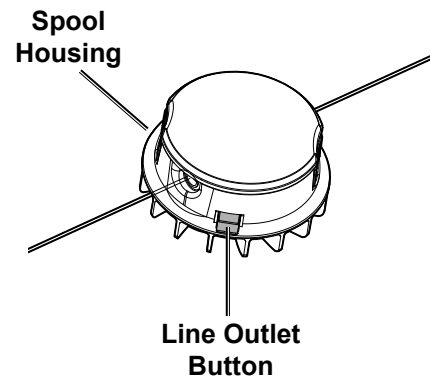
8. To prevent accidents, turn off the appliance and unplug it after use. Clean, then store the appliance indoors out of children's reach.

Feeding Nylon Line

NOTICE: To prevent damage to Trimmer, **DO NOT BUMP SPOOL HOUSING ON GROUND.** This string trimmer feeds Line automatically when stopping and restarting.

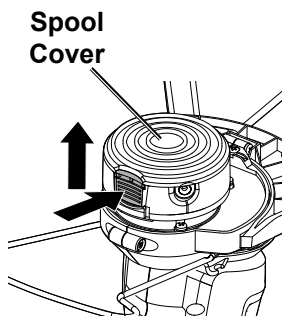
1. With Trimmer running, release Trigger and allow Trimmer to stop fully, then press Trigger to restart. Line will be fed out and cut to proper length by Line Cutter.
2. If Trimmer is not cutting correctly, Spool may be tangled. Remove Spool and rewind Line.

3. To manually feed Line, unplug the Power Cord, press the Line Outlet Button on Spool Housing, and pull out the Line slightly. Keep pushing the Button and pulling the Line out until the Line reaches the desired length.

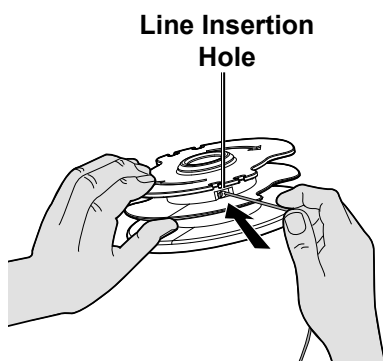


Replacing Nylon Line

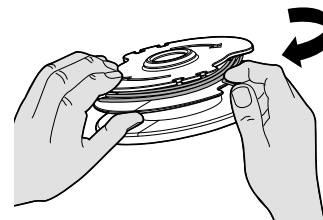
1. Press tabs on Spool Cover, remove Spool Cover, then remove Spool from Spool Housing.



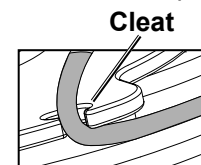
2. Remove old line from Spool.
3. Clean interior of Spool Housing with soft cloth.
4. Insert end of Nylon Line (up to 16 feet) into Line Insertion Hole.



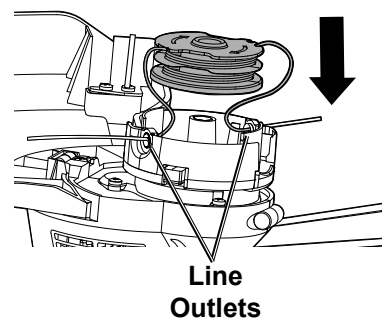
5. Wrap Line onto Spool in neat, straight rows, under tension, following arrow direction on top of Spool.



6. Leave approximately 4" of line unwound and insert it into the cleat at the top end of Spool. Then repeat for the lower end of Spool.



7. Insert Spool partway into Spool Housing, insert line ends through Line Outlet in housing, and pull line ends snug.



8. Insert Spool fully and replace Spool Cover.

Maintenance and Servicing



Procedures not specifically explained in this manual must be performed only by a qualified technician.

WARNING

TO PREVENT SERIOUS INJURY FROM ACCIDENTAL OPERATION:

Make sure that the Power Switch/Trigger is in the off-position and unplug the tool from its electrical outlet before performing any procedure in this section.

TO PREVENT SERIOUS INJURY FROM TOOL FAILURE:

Do not use damaged equipment. If abnormal noise or vibration occurs, have the problem corrected before further use.

Cleaning, Maintenance, and Lubrication

1. **BEFORE EACH USE**, inspect the general condition of the tool. Check for:
 - loose hardware,
 - misalignment or binding of moving parts,
 - damaged cord/electrical wiring,
 - cracked or broken parts, and
 - any other condition that may affect its safe operation.
2. **AFTER USE**, clean external surfaces of the appliance with clean, moist cloth.
3. **WARNING! TO PREVENT SERIOUS INJURY: If the supply cord of this appliance is damaged, it must be replaced only by a qualified service technician.**
4. Do not store near fertilizer or other gardening chemicals. They may accelerate corrosion, making the tool unsafe.

Record Product's Serial Number Here: _____

Note: If product has no serial number, record month and year of purchase instead.

Note: Some parts are listed and shown for illustration purposes only, and are not available individually as replacement parts. Specify UPC 193175418777 when ordering parts.

PLEASE READ THE FOLLOWING CAREFULLY

THE MANUFACTURER AND/OR DISTRIBUTOR HAS PROVIDED THE PARTS LIST AND ASSEMBLY DIAGRAM IN THIS MANUAL AS A REFERENCE TOOL ONLY. NEITHER THE MANUFACTURER OR DISTRIBUTOR MAKES ANY REPRESENTATION OR WARRANTY OF ANY KIND TO THE BUYER THAT HE OR SHE IS QUALIFIED TO MAKE ANY REPAIRS TO THE PRODUCT, OR THAT HE OR SHE IS QUALIFIED TO REPLACE ANY PARTS OF THE PRODUCT. IN FACT, THE MANUFACTURER AND/OR DISTRIBUTOR EXPRESSLY STATES THAT ALL REPAIRS AND PARTS REPLACEMENTS SHOULD BE UNDERTAKEN BY CERTIFIED AND LICENSED TECHNICIANS, AND NOT BY THE BUYER. THE BUYER ASSUMES ALL RISK AND LIABILITY ARISING OUT OF HIS OR HER REPAIRS TO THE ORIGINAL PRODUCT OR REPLACEMENT PARTS THERETO, OR ARISING OUT OF HIS OR HER INSTALLATION OF REPLACEMENT PARTS THERETO.

Parts List

Part	Description	Qty
1	Cord & Amp; Plug Set	1
2	Cord Protector	1
3	Cord Clamp	1
4	Self Tapping Screw	2
5	Spring	1
6	Trigger	1
7	Switch	1
8	Left & Right Handle	1
10	Self Tapping Screw	15
11	Screw	2
12	Nut	2
13	Lock Sleeve	1
19	Spring Wire	1
20	Lower Shaft	1
21	Left/Right Swivel Shell	1
23	Left/Right Housing	1
23	Left/Right Housing	1
24	Filter	2
25	Lock Button	1
26	Spring	1
29	Steel Wire	1
30	Self Tapping Screw	4
31	Rear Bearing	1
32	Terminal	4
33	Carbon Brush Pair	1
34	Whorl Spring	2
35	Brush Holder	2

Part	Description	Qty
36	Bearing Sleeve	1
37	Stator	1
38	Self Tapping Screw	2
39	Rotor	1
41	Front Motor Bracket	1
42	Cover	1
43	Gearcase	1
44	Cylinder Gear 1	1
45	Ring	1
46	Bearing	4
47	Cylinder Gear 2	1
48	Gearcase Cover	1
49	Washer	1
50	Line Feeder	1
51	Spring	1
52	Spool Housing	1
55	Nut	1
56	Spool Cover	1
101	Brush Holder Set	2
201	Handle	1
201-1	Lock Knob	1
201-2	Lock Screw	1
202	Spool & Line	1
203	Guard	1
204	Motor Set	1
205	Line Cutter	1

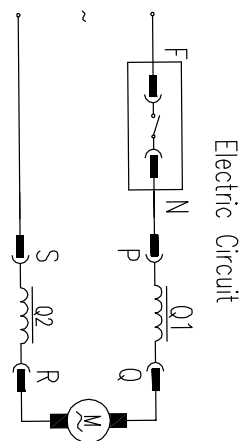
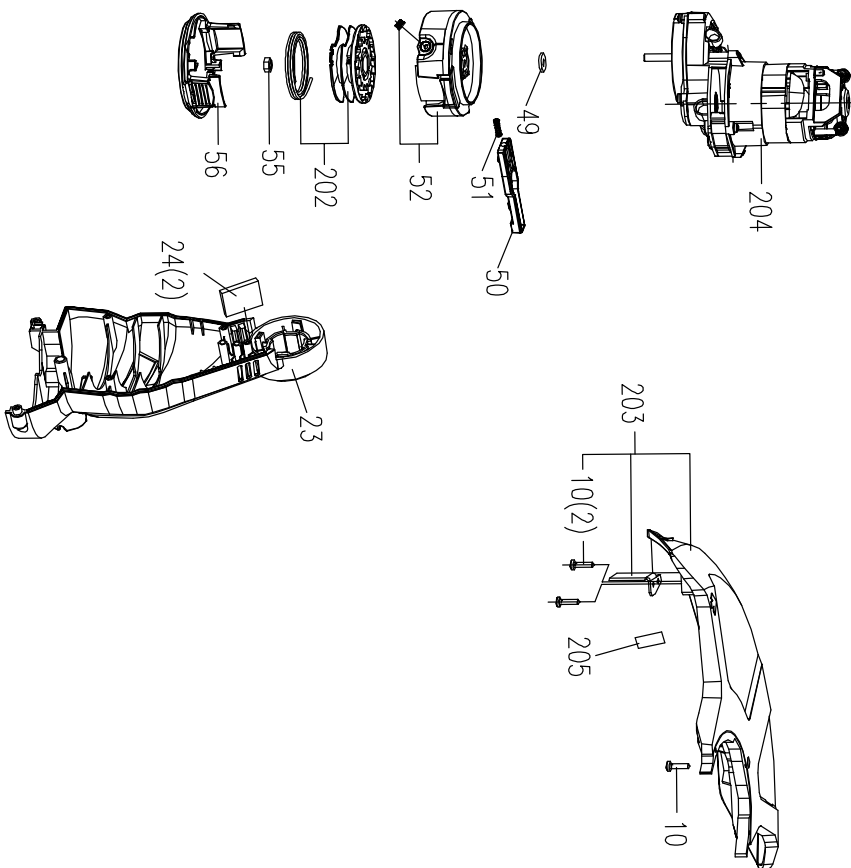
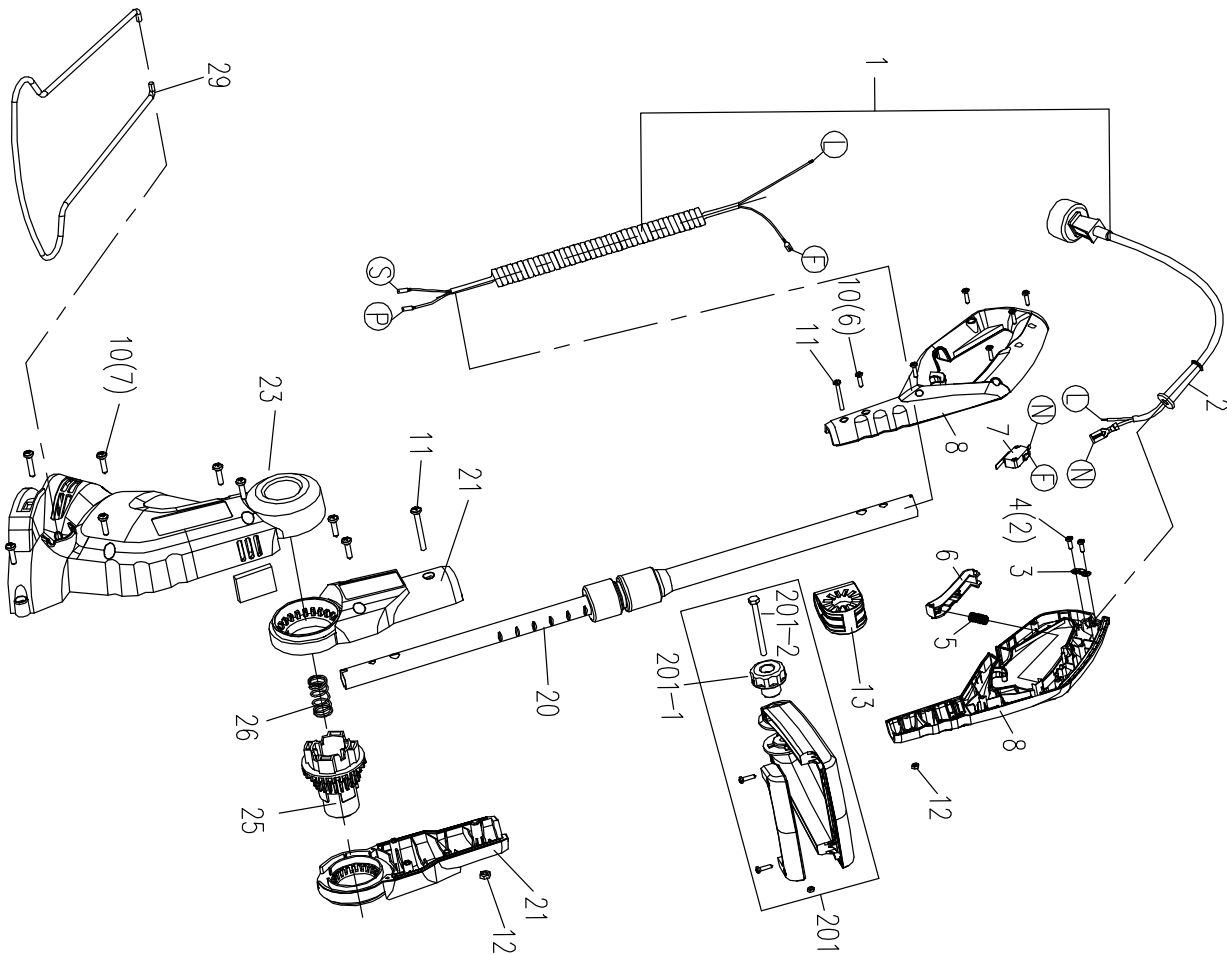
SAFETY

SETUP

OPERATION

MAINTENANCE

Assembly Diagram



SAFETY

SETUP

OPERATION

MAINTENANCE

Limited 90 Day Warranty

Harbor Freight Tools Co. makes every effort to assure that its products meet high quality and durability standards, and warrants to the original purchaser that this product is free from defects in materials and workmanship for the period of 90 days from the date of purchase. This warranty does not apply to damage due directly or indirectly, to misuse, abuse, negligence or accidents, repairs or alterations outside our facilities, criminal activity, improper installation, normal wear and tear, or to lack of maintenance. We shall in no event be liable for death, injuries to persons or property, or for incidental, contingent, special or consequential damages arising from the use of our product. Some states do not allow the exclusion or limitation of incidental or consequential damages, so the above limitation of exclusion may not apply to you. THIS WARRANTY IS EXPRESSLY IN LIEU OF ALL OTHER WARRANTIES, EXPRESS OR IMPLIED, INCLUDING THE WARRANTIES OF MERCHANTABILITY AND FITNESS.

To take advantage of this warranty, the product or part must be returned to us with transportation charges prepaid. Proof of purchase date and an explanation of the complaint must accompany the merchandise. If our inspection verifies the defect, we will either repair or replace the product at our election or we may elect to refund the purchase price if we cannot readily and quickly provide you with a replacement. We will return repaired products at our expense, but if we determine there is no defect, or that the defect resulted from causes not within the scope of our warranty, then you must bear the cost of returning the product.

This warranty gives you specific legal rights and you may also have other rights which vary from state to state.

Bauer[™]

26541 Agoura Road • Calabasas, CA 91302 • 1-888-866-5797