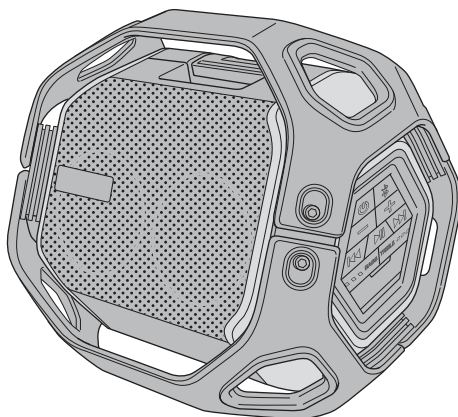


# HIKOKI

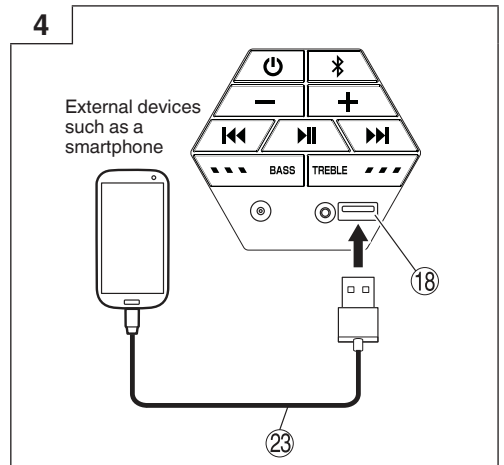
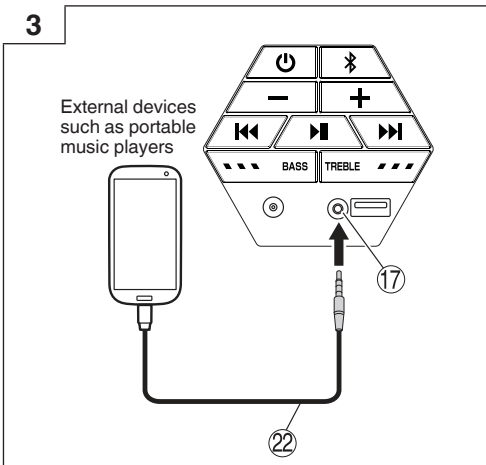
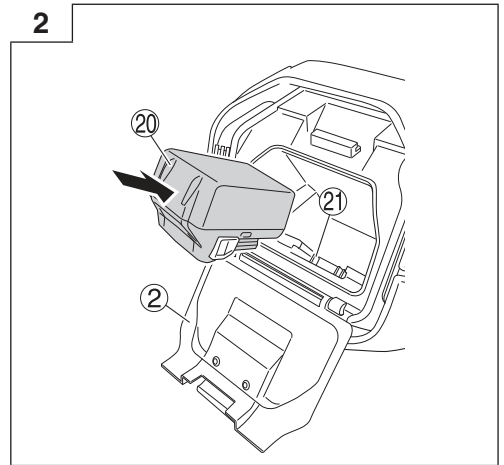
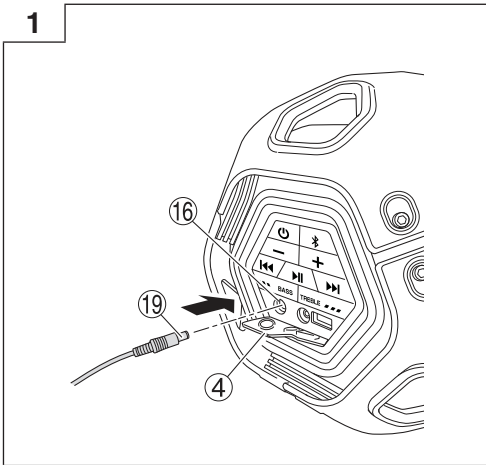
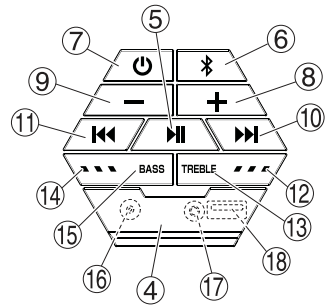
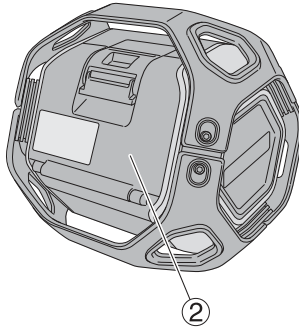
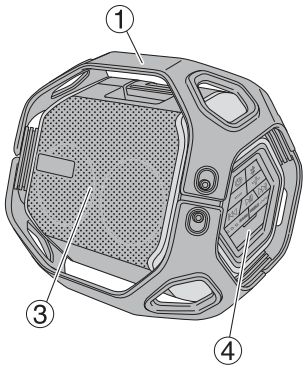
---

## US 18DA

---



Handling instructions



## NAMES OF PARTS

|   |                     |   |                       |   |                                  |
|---|---------------------|---|-----------------------|---|----------------------------------|
| ① | Frame               | ⑨ | Volume button (-)     | ⑰ | AUX input port                   |
| ② | Rear cover          | ⑩ | Search button (+)     | ⑱ | USB charging port                |
| ③ | Speaker             | ⑪ | Search button (-)     | ⑲ | AC adaptor                       |
| ④ | Port cover          | ⑫ | EQ indicator (Treble) | ⑳ | Battery                          |
| ⑤ | Play / Pause button | ⑬ | EQ button (Treble)    | ㉑ | Terminals                        |
| ⑥ | Bluetooth button    | ⑭ | EQ indicator (Bass)   | ㉒ | Stereo mini plug connector cable |
| ⑦ | Power button        | ⑮ | EQ button (Bass)      | ㉓ | USB charging cable               |
| ⑧ | Volume button (+)   | ⑯ | AC adaptor port       |   |                                  |

## CORDLESS SPEAKER SAFETY WARNINGS

### WARNING

**Read all safety warnings and all instructions.**

*Failure to follow the warnings and instructions may result in electric shock, fire and/or serious injury.*

**Save all warnings and instructions for future reference.**

#### 1. Use only the specified power supply voltage.

- Use of any other voltage may lead to fire or electric shock.

#### 2. Avoid damaging the AC adapter cord.

- Do not modify, forcibly bend, twist or pull the cord, place heavy objects on it or place it near heating appliances.
- When not in use, remove the power plug (AC adapter) from the electric socket and from the speaker. Failure to do so may lead to electric shock or fire.

#### 3. Do not touch the power plug (AC adapter) with wet hands.

- Doing so may result in electric shock.

#### 4. Do not use the speaker in the bathroom or shower.

- Do not use the speaker in wet or damp places or in the rain.
- Doing so may result in electric shock, emission of smoke or malfunction.

#### 5. Do not touch the speaker or power plug (AC adapter) during thunderstorms.

- Doing so may result in electric shock.

#### 6. Do not disassemble or modify the speaker.

- Doing so may result in electric shock or fire. Inspections and repairs should be performed by the store where purchased or by a HiKOKI power tool service center.

#### 7. Insert the power plug (AC adapter) securely as far as it will go.

- Dust or dirt between the power plug and the electric socket may lead to fire. Remove the power plug periodically and wipe off any dust or dirt with a dry cloth.

#### 8. Do not let any unspecified objects or water get inside the speaker body.

- With the exception of the rechargeable battery, if any metal or flammable object or water gets inside the rear cover, it may lead to electric shock or fire.

#### 9. Do not sit or stand on the speaker.

- Doing so may lead to accidents or malfunction.

#### 10. Do not place the speaker on an unstable surface or in a high place. Do not hang the speaker from the handle.

- The speaker may fall and cause injury or malfunction.

#### 11. When no slide battery is loaded, close the rear cover to prevent cuts and other injuries that may result from touching the terminal area.

#### 12. Recharge only with the charger specified by the manufacturer.

- A charger that is suitable for one type of rechargeable battery may create a risk of fire when used with another battery.

#### 13. Use the speaker only with specifically designated rechargeable battery.

- Use of any other rechargeable battery may create a risk of injury and fire.

#### 14. When rechargeable battery is not in use, keep it away from other metal objects like paper clips, coins, keys, nails, screws, or other small metal objects that can make a connection from one terminal to another.

- Shorting the battery terminals together may cause burns or a fire.

#### 15. Under abusive conditions, liquid may be ejected from the battery; avoid contact. If contact accidentally occurs, flush with water. If liquid contacts eyes, additionally seek medical help.

- Liquid ejected from the battery may cause irritation or burns.

#### 16. Have your speaker serviced by a qualified repair person using only identical replacement parts.

- This will ensure that the safety of the speaker is maintained.

#### 17. The main unit and adapter shall not be exposed to dripping or splashing and that no objects filled with liquids, such as vases, shall be placed on the unit and adapter.

#### 18. The batteries (battery pack or batteries installed) shall not be exposed to excessive heat such as sunshine, fire or the like.

#### 19. The MAINS plug of adapter is used as the disconnect device, the disconnect device shall remain readily operable.

#### 20. The frequency band of this product operates on electric medical devices, industrial or scientific equipment as well as local wireless stations used for identifying mobile objects utilized in factory production lines (radio stations that require a license) and specified low power radio stations (radio stations that do not require a license).

- Use of this product in these locations may result in radio frequency interference.

#### 21. The effective range for wireless linking is approximately 10 m. However, this range may be shortened by obstructions between the speaker and the Bluetooth device.

## PROTECTING YOUR HEARING

Continuous exposure to loud noise may result in permanent hearing loss. The louder the volume, the shorter the time in which hearing loss may occur.

If you listen to large volume sound over a long period of time, your ears will become accustomed to it. This creates the illusion that the volume level is appropriate, despite the fact that it may be damaging your hearing.

Observe the following to prevent hearing loss.

### CAUTION

1. **Make sure you give your ears a rest by taking regular breaks and not listening for long periods of time.**

Even when set at safe volume levels, listening continuously over long periods of time may cause hearing loss.

2. **Be careful not to increase the volume as your hearing adapts to the sound output.**


Beware of being accustomed to a certain volume level. Adjust the volume to a safe level before your ears become accustomed to loud volumes.

3. **If your ears begin to ring, if you feel any discomfort, or if conversation seems faint or indistinct, discontinue listening to music and have your ears examined by a doctor.**

## **Bluetooth® WIRELESS TECHNOLOGY**

The Bluetooth device equipped with this product operates on a 2.4 GHz frequency range.

To ensure proper use, please be aware of the following.

- **In using this product, a radio station license is not required as this product is granted a certification of conformance to technical standards as a low power data communication system wireless station facility.**
- **Since this product complies with the certification of conformance to technical standards, never disassemble or modify this product.**
- **This product operates on the same frequency bands as those for equipment such as microwave ovens, digital cordless phones, wireless LAN systems, and other Bluetooth equipment. To avoid radio interference between the product and the aforementioned equipment, keep the units separated during use.**  
Radio signals may not reach the product.
- **With the exception of this product's malfunction, the company is not responsible for any damage that may occur from Bluetooth communication.**
-  **Bluetooth mark and logo are registered trademarks of Bluetooth SIG, Inc., and are used under license.**
- **Individuals using pacemakers or other medical devices should contact the device's manufacturer, appropriate medical institution or dealer to verify the effects of electromagnetic wave interference.**
- **Do not use in the vicinity of automatically controlled devices including automatic doors and fire alarms.**  
Electromagnetic wave interference from the product may affect automatically controlled devices, causing malfunction or accident.
- **Avoid use in crowded locations where an individual wearing a pacemaker may be present.**  
The electromagnetic wave emitted from the product can adversely affect a pacemaker's operation.

## PRECAUTIONS WHEN CONNECTING TO EXTERNAL EQUIPMENT

Unexpected problems may result in the loss or corruption of data stored in smartphones and other peripheral equipment connected to the speaker. With this possibility in mind, a backup of the data should always be made in advance.

Note that Koki Holdings cannot be held responsible for the corruption or loss of data stored within smartphones and other peripheral equipment connected to the speaker, nor any damage to the equipment itself.

## MAIN FUNCTIONS

- Playback of Bluetooth devices
- Playback of smartphones and portable music players by AUX input port
- High-quality stereo speaker
- USB device recharging
- Compatibility with HiKOKI power tool rechargeable battery and AC adapter




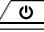

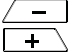

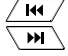


## SPECIFICATIONS

|                     |  |                 |
|---------------------|--|-----------------|
| Speaker             | Passive radiator   | 93 mm × 1       |
|                     | Mid-range  | 78 mm × 2       |
|                     | Tweeter  | 31 mm × 2       |
| Max. power output   | 10 W × 2   |                 |
| Power supply        | Slide battery:   | DC 14.4 V, 18 V |
|                     | Household power supply (using provided AC adapter)   |                 |
| Bluetooth           | Bluetooth Ver. 4.0<br>Profile:<br>A2DP<br>AVRCP<br>SCMS-T<br>Send/receive Sensitivity: Class 2 |                 |
| Exterior dimensions | L 234 mm x W 255 mm x H 222 mm   |                 |
| Weight              |  | 2.8 kg          |

## SYMBOLS

### WARNING

The following show symbols used for the machine. Be sure that you understand their meaning before use.

|  |  |
|--|--|
|  | US18DA : Cordless Speaker  |
|  | For applicable power supplies see user instructions.   |
|  | Only for EU countries<br>Do not dispose of electric tools together with household waste material!<br>In observance of European Directive 2012/19/EU on waste electrical and electronic equipment and its implementation in accordance with national law, electric tools that have reached the end of their life must be collected separately and returned to an environmentally compatible recycling facility. |
|  | Power button   |
|  | Bluetooth button   |
|  | Volume button (-) / (+)  |
|  | Play / Pause button  |
|  | Search button (-) / (+)  |
|  | EQ button (Bass)   |
|  | EQ button (Treble)   |

## STANDARD ACCESSORIES

In addition to the main unit (1 unit), the package contains the accessories listed in the below.

- AC adapter.....1



Standard accessories are subject to change without notice.

## PRIOR TO OPERATION

### ● AC adapter installation

Power can be supplied by plugging the AC adapter (included) into a standard household outlet.

Pull back the port cover and connect the AC adapter to the AC adapter port. (Fig. 1)

Next, plug the AC adapter into an electrical outlet.

#### NOTE

- When used together with the batteries, the AC adapter is the main power source and no battery power is consumed.
- When used together with the AC adapter, the batteries will not recharge as this device has no recharge function.

### ● Battery installation

#### CAUTION

Do not touch the terminals.

Doing so may result in cuts to the hand or other injuries.

Only a 14.4 V or 18 V slide-type battery can be used with this device.

#### Installing the battery

Open the rear cover, align the battery with the grooves of this device and slide it all the way in. (Fig. 2)

#### NOTE

- Do not apply any excessive pressure when inserting the battery. If the battery does not easily slide into place, it is not being inserted properly.  
Check to see if the battery is facing the correct direction and that there is nothing obstructing the path of insertion.

## BASIC OPERATION

### ● Power ON

Press and hold the power button of the speaker (approximately two seconds) to switch on the power and operate the machine.

### ● Power OFF

To switch off the power, press and hold the power button of the speaker (approximately two seconds).

### ● Volume Adjustment

#### NOTE

The speaker is set on medium volume when shipped from the factory.

The volume of the speaker is adjusted using the volume button of the speaker.

A continued press of the button will stop at either maximum or minimum volume.

Press the volume button once each to finely adjust the volume.

#### CAUTION

Lower the volume of the speaker and any external device before play, and then gradually raise the volume.

### ● PLAY / PAUSE

The Play / Pause button is used to play or pause the speaker.

\* Can be used only when connected by Bluetooth.

### ● Song Selection (Track Change)

The search buttons are used for song selection (track change).

\* Can be used only when connected by Bluetooth.

### ● Bluetooth Disconnect/Connect

When paired with other devices, this is used to disconnect or connect.

\* Can be used only when connected by Bluetooth.

#### NOTE

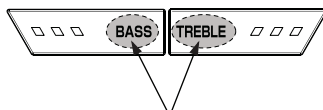
Excluding the Bluetooth button, the back light for the control panel will switch off after 10 seconds to save power.

### ● EQ Settings

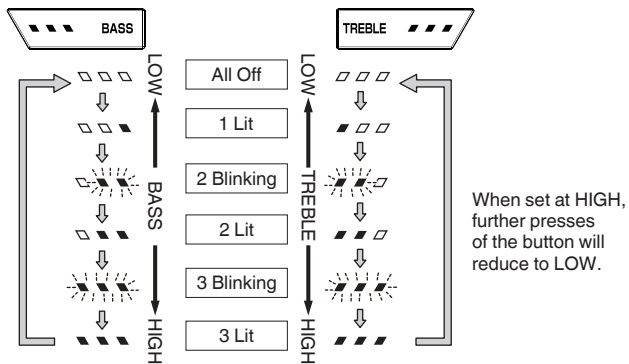
#### NOTE

Set at "□ □ □" when shipped from the factory.

Sound quality can be set at six levels by pressing either the "BASS" or "TREBLE" buttons.



Press the part illuminated in blue



## CONNECTING WITH BLUETOOTH DEVICES

If smartphones, portable music players and other devices are Bluetooth compatible, audio can be output from this product via Bluetooth communication.

### CAUTION

Make sure to lower the volume output of the speaker and the player before playback.

#### 1. Pairing (Registering devices)

Pairing is required for Bluetooth communication. Set your Bluetooth device to pairing mode.

(For instructions on pairing, see the manual for the Bluetooth device to be used.)

#### 2. Set the speaker for pairing mode

Press the power button.

Select "US18DA" on your Bluetooth device's list of connected devices to complete the pairing.

#### 3. Input pass key

Some Bluetooth devices may require pass key input when connecting.

If this should be the case, input "0000".

Also, if connection authorization is requested, input "authorized".

### NOTE

- Once paired, connection will be automatically established the next time the devices are switched on. If the Bluetooth connection is lost, re-pair the devices. If unable to pair or the audio is unstable, unregister the "US18DA" displayed on your Bluetooth device and pair the device once again.
- No more than two devices can be paired simultaneously.
- Connection with all Bluetooth devices cannot be guaranteed. Before attempting connection, always check for compatibility.
- When unable to pair, the "Bluetooth" button will blink.
- 4. **Playback**  
Make sure to lower the volume output of the Bluetooth device before music playback.  
Volume can be adjusted through the speaker.  
Use the Bluetooth device to select tracks.  
You can also select tracks with the speaker's control buttons.

### NOTE

You may be unable to raise the volume level if the volume level of the external device is too low.

### NOTE

- Some Bluetooth devices may not respond to the speaker's control buttons.
- The AUX IN connection will be prioritized when an external device is connected to the AUX IN port.

## USING EXTERNAL DEVICES FOR AUDIO PLAYBACK

Audio can be played back from smartphones, portable music players and other external devices.

### CAUTION

Make sure to lower the volume output of the speaker and the player before playback.

#### 1. Connect an external device

Switch the speaker's power off and use a commercially available stereo mini-plug connector cable (ø3.5 mm) to connect the speaker's AUX input port to the audio output port of the external device. (Fig. 3)

#### 2. Playback

Make sure to lower the volume output of the external device before music playback.

Volume can be adjusted through the speaker.

### NOTE

You may be unable to raise the volume level if the volume level of the external device is too low.

### NOTE

- When connecting a smartphone, please be aware that the ringtones of incoming calls for some models are not output to speaker.
- External devices may be damaged if used in locations exposed to the sun or hot temperatures.
- The "Bluetooth" will repeatedly blink during AUX IN playback.

## RECHARGING USB DEVICE

USB devices such as a smartphone and mobile phone can be recharged by connecting the device to this speaker. While recharging, you can enjoy the music on a device connected by Bluetooth or the AUX IN port.

#### 1. Connect a USB device

Using a commercially available USB connection/recharge cable, connect to the USB charging port (Fig. 4)

#### 2. After recharging is complete

Confirm the recharge status on the USB device.

Remove the USB charging cable from the USB charging port.

## MAINTENANCE AND INSPECTION

### WARNING

When not in use or during inspection and maintenance, be sure to remove the AC plug and rechargeable battery.

### ● Inspecting the mounting screws

Regularly inspect all mounting screws and ensure that they are properly tightened. Should any of the screws be loose, retighten them immediately. Failure to do so could result in serious hazard.

### ● Cleaning on the outside

When the speaker is stained, wipe with a soft dry cloth or a cloth moistened with soapy water.

Do not use chloric solvents, gasoline or paint thinner, for they melt plastics.

### ● Storing the Speaker

Do not store the speaker in the following places.

- Within reach of or easily accessible to children
- In humid or dusty places
- In high temperature such as inside a car or exposed to direct sunlight
- In extremely cold places or directly exposed to cold draughts
- Where the temperature changes drastically
- Where it is exposed to smoke or steam such as near a cooking appliance or humidifier

---

### NOTE

Due to HiKOKI's continuing program of research and development, the specifications herein are subject to change without prior notice.

---

# **Koki Holdings Co., Ltd.**

Shinagawa Intercity Tower A, 15-1, Konan 2-chome,  
Minato-ku, Tokyo, Japan