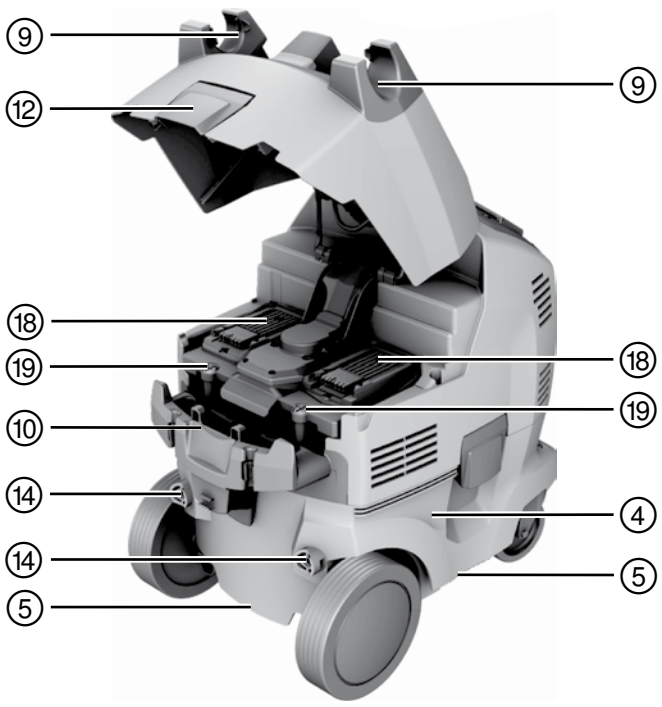
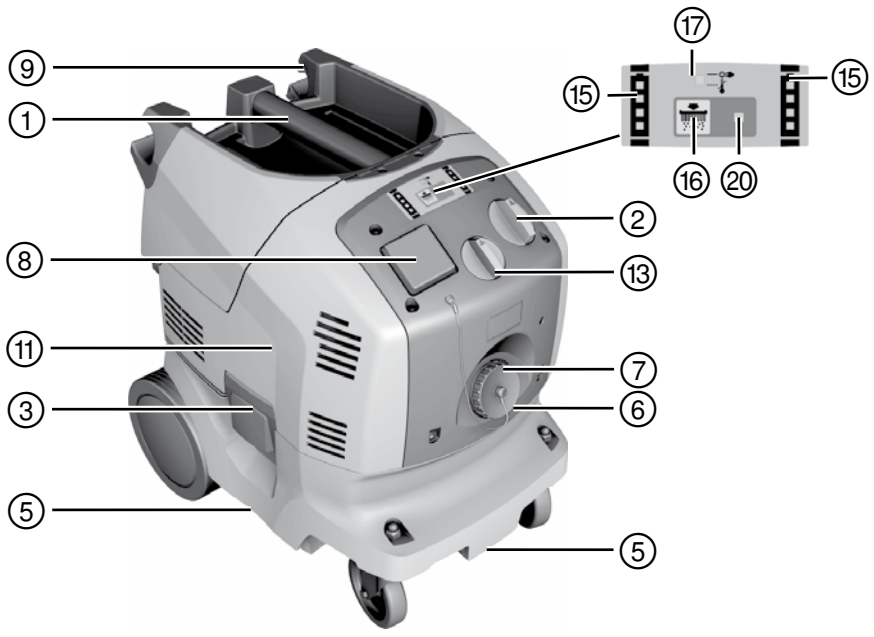


# HILTI

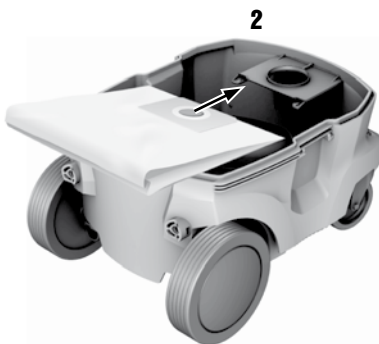
**VC 20-U-Y /  
VC 20-UM-Y /  
VC 40-U-Y /  
VC 40-UM-Y**

<b>Bedienungsanleitung</b>	<b>de</b>
<b>Operating instructions</b>	<b>en</b>
<b>Mode d'emploi</b>	<b>fr</b>
<b>Istruzioni d'uso</b>	<b>it</b>
<b>Manual de instrucciones</b>	<b>es</b>
<b>Manual de instruções</b>	<b>pt</b>
<b>Gebruiksaanwijzing</b>	<b>nl</b>
<b>Brugsanvisning</b>	<b>da</b>
<b>Bruksanvisning</b>	<b>sv</b>
<b>Bruksanvisning</b>	<b>no</b>
<b>Käyttöohje</b>	<b>fi</b>
<b>Οδηγίες χρήσεως</b>	<b>el</b>
<b>Használati utasítás</b>	<b>hu</b>
<b>Инструкция по эксплуатации</b>	<b>ru</b>

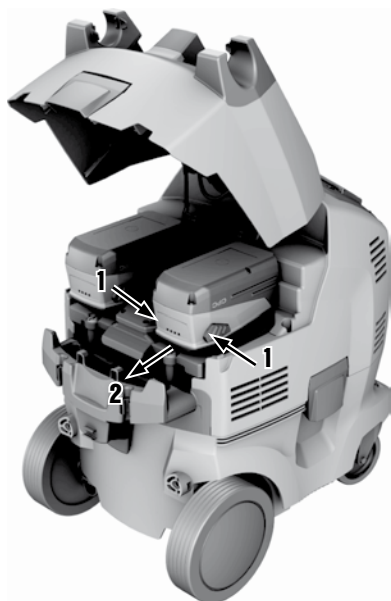




2

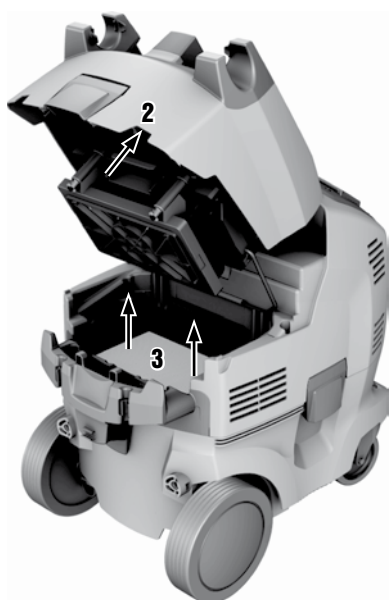
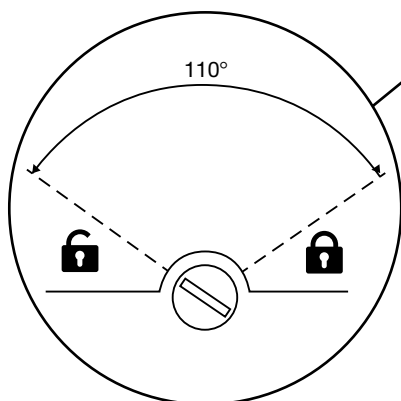
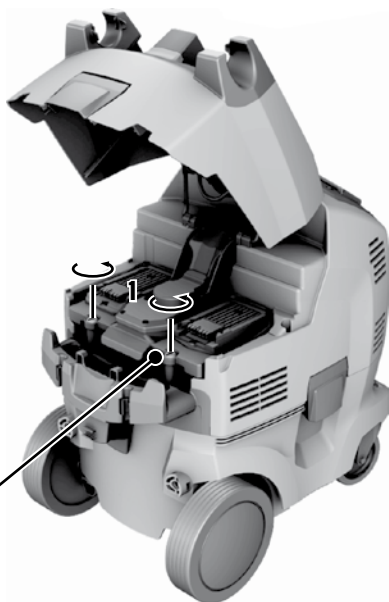


3



4





# ORIGINAL OPERATING INSTRUCTIONS

## VC 20-U-Y/VC 20-UM-Y/VC 40-U-Y/VC 40-UM-Y wet / dry vacuum cleaner

**en** It is essential that the operating instructions are read before the appliance is operated for the first time.

**Always keep these operating instructions together with the appliance.**

**Ensure that the operating instructions are with the appliance when it is given to other persons.**

Contents	Page
1 General information	20
2 Description	21
3 Accessories	23
4 Technical data	24
5 Safety instructions	25
6 Before use	28
7 Operation	30
8 Care and maintenance	33
9 Troubleshooting	34
10 Disposal	36
11 Manufacturer's warranty	37
12 EC declaration of conformity (original)	37

**1** These numbers refer to the corresponding illustrations. The illustrations can be found on the fold-out cover pages. Keep these pages open while studying the operating instructions.

In these operating instructions, the designation "the appliance" always refers to the VC 20-U-Y/ VC 20-UM-Y/ VC 40-U-Y/ VC 40-UM-Y wet/dry vacuum cleaners. The information given in these operating instructions applies to all 4 versions unless explicitly stated that it refers only to the VC 20-UM-Y / VC 40-UM-Y.

### Parts, operating controls and indicators **1**

- 1 Grip
- 2 Control switch
- 3 Catch
- 4 Waste material container
- 5 Gripping areas
- 6 Hose socket
- 7 Cover for hose socket (only VC 20-UM-Y/ VC 40-UM-Y)
- 8 Power outlet for power tools
- 9 Hose holder
- 10 Supply cord stowage point
- 11 Vacuum cleaner top section
- 12 Battery cover locking clip
- 13 Hose diameter selector switch (only VC 20-UM-Y/ VC 40-UM-Y)
- 14 Pushbar attachment point (pushbar is an accessory)
- 15 Charging status indicator
- 16 Filter cleaning system ON / OFF button
- 17 Charging station status indicator
- 18 Battery compartment (left/right)
- 19 Filter cover retaining screws
- 20 Automatic filter cleaning system status indicator

## 1 General information

### 1.1 Safety notices and their meaning

#### **DANGER**

Draws attention to imminent danger that will lead to serious bodily injury or fatality.

#### **WARNING**

Draws attention to a potentially dangerous situation that could lead to serious personal injury or fatality.

#### **CAUTION**

Draws attention to a potentially dangerous situation that could lead to slight personal injury or damage to the equipment or other property.

### **NOTE**

Draws attention to an instruction or other useful information.

### 1.2 Explanation of the pictograms and other information

#### **Prohibition signs**



Transport by crane is not permissible.

## Warning signs



General warning



Warning: caustic substances



Warning: electricity



Warning: explosive substances

## Obligation signs



Wear protective clothing



Wear protective gloves.



Wear ear protection.



Wear safety shoes.



Wear respiratory protection!

## Symbols



Read the operating instructions before use.



Return waste material for recycling.

## On the appliance



**WARNING:** This unit contains hazardous dust. Emptying and maintenance, including the removal of the dust bag, may only be carried out by someone who is familiar with the unit and wearing suitable protective gear. Do not switch on the unit until the complete filter system has been installed and the function of the volume-flow control has been tested.

### Location of identification data on the appliance

The type designation and serial number can be found on the type identification plate on the appliance. Make a note of this data in your operating instructions and always refer to it when making an enquiry to your Hilti representative or service department.

Type:

---

Generation: 01

---

Serial no.:

---

## 2 Description

### 2.1 Use of the product as directed

The appliance is a universal industrial vacuum cleaner with an effective filter cleaning system for dry dust. It is suitable for wet and dry vacuum cleaning applications.

The appliance can be powered by the electric mains supply or operated cordlessly using Hilti 36V Li-ion batteries. When powered by the electric mains supply, the appliance can be used simultaneously as a charging station for all Hilti Li-ion batteries (14V/22V/36V). When the adapter plate and pushbar are fitted (accessories), the vacuum cleaner can be used as a trolley to transport up to three Hilti toolboxes.

The appliance is suitable for collecting the slurry created by wet drilling or wet cutting operations on mineral materials using Hilti diamond coring or Hilti diamond sawing equipment and for collecting large quantities of dry mineral dust when working with Hilti diamond grinders and cutters, rotary hammers and dry cutting core bits.

The VC 20-UM-Y and VC 40-UM-Y are suitable for picking up dry and non-flammable dusts, liquids, wood chips or shavings, mineral dusts containing quartz and hazardous dusts with exposure limit values (e.g. MAK or AGW values)  $\geq 0.1 \text{ mg/m}^3$  (dust class M as per IEC/EN 60335-2-69).

Picking up any other hazardous substances is not permissible.

Picking up oil or liquids with a temperature of over 60°C is not permissible.

When picking up dusts with an exposure limit value, steps must be taken to ensure adequate air exchange in the room if the exhaust air from the appliance is released into the room (please observe the locally applicable regulations).

The appliance must not be used to pick up materials that present a risk of explosion, glowing or burning materials, flammable materials (exception: wood chips or shavings), aggressive dusts (e.g. magnesium or aluminium dust, etc.) or aggressive liquids (e.g. gasoline, solvents, acids, coolants or lubricants, etc.).

Do not operate the appliance when laid on its side (always operate in upright position).

The total weight of the appliance including the waste material picked up must not exceed 80 kg.

Do not stand on the appliance (do not use as a substitute for a ladder).

Do not use the appliance for continuous, stationary operation in automatic or semi-automatic systems.

The operating personnel must be instructed on how to use the appliance prior to beginning work, they must be informed of any hazards associated with the materials to be picked up and they must be familiar with the correct procedures for safe disposal of these materials.

Underwater use is not permissible.

Use of the appliance to clean down persons or animals is not permissible.

Use an antistatic suction hose in order to avoid electrostatic effects.

This appliance is suitable for commercial use, e.g. in hotels, schools, hospitals, factories, shops, offices and by rental companies.

Working on materials hazardous to the health (e.g. asbestos) is not permissible.

The working environment may be as follows: construction site, workshop, renovation, conversion or new construction. Observe the information printed in the operating instructions concerning operation, care and maintenance.

To avoid the risk of injury, use only genuine Hilti tools and accessories.

The appliance and its ancillary equipment may present hazards when used incorrectly by untrained personnel or when used not as directed.

Modification of the appliance or tampering with its parts is not permissible.

Observe the safety rules and operating instructions for the accessories used.

To avoid hazards, use only the approved batteries and chargers.

Do not use the battery as a power source for other unspecified appliances.

## 2.2 Hose diameter settings (only VC 20-UM-Y/ VC 40-UM-Y)

In order to ensure that the M-function warning signal tone threshold is configured correctly, the hose diameter setting must correspond to the hose diameter used.

## 2.3 The items supplied as standard include:

- 1 Appliance with filter element
- 1 Suction hose complete with hose connector (electrically conductive), hose sleeve and tapered adapter
- 1 PE VC 20 plastic dust bag
- 1 Operating instructions

## 2.4 Using extension cords

Use only extension cords of a type approved for the application and with conductors of adequate gauge. The appliance may otherwise lose performance and the extension cord may overheat. Check the extension cord for damage at regular intervals. Replace damaged extension cords.

**Recommended minimum conductor cross section and max. cord length for operating the appliance in conjunction with an electric tool plugged into the built-in power outlet:**

Conductor cross section	1.5 mm <sup>2</sup>	2.5 mm <sup>2</sup>	3.5 mm <sup>2</sup>
Mains voltage 220-240 V	20 m	40 m	50 m

Use only extension cords equipped with an earth conductor.

Do not use extension cords with a conductor cross section of less than 1.5 mm<sup>2</sup>.

## 2.5 Using extension cords outdoors

When working outdoors, use only extension cords that are approved and correspondingly marked for this application.

## 2.6 Using a generator or transformer

This appliance may be powered by a generator or transformer when the following conditions are fulfilled: The unit must provide a power output in watts of at least twice the maximum value printed on the type identification plate on the power tool or appliance. The operating voltage must remain within +5% and -15% of the rated voltage at all times, frequency must be in the 50 – 60 Hz range and never above 65 Hz, and the unit must be equipped with automatic voltage regulation and starting boost.

Never operate other power tools or appliances from the generator or transformer at the same time. Switching other power tools or appliances on and off may cause undervoltage and / or overvoltage peaks, resulting in damage to the power tool or appliance.

## 2.7 Use of accessories

Accessories	Type of use
PE VC 20/40 plastic dust bag	Working with mineral materials, wet and dry
Paper dust bag for VC 20/40	Working with wood
PTFE filter element	Wet use and heavy dry use
VC 20/40 filter element	Mainly dry
PES VC 20/40 filter element	Wet and dry
Suction hose, 27 mm dia., length 3.5 m	Wet and dry
Antistatic suction hose, 36 mm dia., length 4.65 m	Wet and dry

With the VC 20-UM-Y and the VC 40-UM-Y, use of a dust bag (plastic dust bag or paper dust bag) is mandatory.

## 2.8 Charge status of the Li-ion battery during charging

LEDs light constantly	LEDs blink	Charge status in %
LED 1, 2, 3, 4	-	= 100 %
LED 1, 2, 3	LED 4	75 % to 100%
LED 1, 2	LED 3	50 % to 75 %
LED 1	LED 2	25 % to 50 %
-	LED 1	< 25 %

## 3 Accessories

Spare parts, tools and accessories are available through Hilti sales channels.

Designation	Item number, description
PE VC 20 plastic dust bag	203854, M-class vacuum cleaner: working with mineral materials
PE VC 40 plastic dust bag	203852, M-class vacuum cleaner: working with mineral materials
Paper dust bag, complete, for VC 20	203858, M-class vacuum cleaner: for working with wood
Paper dust bag, complete, for VC 40	203856, M-class vacuum cleaner: for working with wood
PTFE filter element	436058
VC 20/40 filter element	203862
PES VC 20/40 filter element	203863
Suction hose, 27 mm dia., length 3.5 m	203865
Suction hose, 36 mm dia., length 4.65 m	203867
Tapered adapter	203878
VC 20 pushbar	2044214
VC 40 pushbar	2047174
Adapter plate	2044211
Accessory box	2044212
Accessory set	2044213, 1 bend, 3 extension tubes, 1 floor nozzle with lamellar lips and 1 set of brushes

en

## 4 Technical data

Right of technical changes reserved.

Rated voltage	220...240 V	220...240V / CH	220...240V / GB	220...240V/NZ	36 V
Rated power input	1,200 W	1,200 W	1,200 W	1,200 W	750 W
Maximum load on built-in power outlet for electric tools (if fitted)	2,000 W	700 W	1,400 W	800 W	
Mains connection (type)	H07 RN-F 3G 1.5 mm <sup>2</sup>	H07 RN-F 3G 1.5 mm <sup>2</sup>	H07 RN-F 3G 1.5 mm <sup>2</sup>	H07 RN-F 3G 1.5 mm <sup>2</sup>	

Power source	AC mains supply (230V)	Battery-powered operation
Max. air flow rate, VC 20-U-Y / VC 40-U-Y	74 l/s	57 l/s
Max. air flow rate, VC 20-UM-Y / VC 40-UM-Y	136 m <sup>3</sup> /h	106 m <sup>3</sup> /h
Max. vacuum, C 20-U-Y / VC 40-U-Y	23 kPa	16.6 kPa
Max. vacuum VC 20-UM-Y, VC 40-UM-Y	22 kPa	15.6 kPa

### Information about the appliance and its applications

Protection class	Protection class I
Protection class	IP X4 protection against sprayed water

### Noise and vibration information (measured in accordance with EN 60335-2-69):

Typical A-weighted emission sound pressure level	71 dB (A)
Uncertainty for the given sound level	2.5 dB (A)
Triaxial vibration value (vibration vector sum)	< 2.5 m/s <sup>2</sup>
Uncertainty (K)	is taken into account in the vibration value

Appliance	VC 20-U-Y/ VC 20-UM-Y	VC 40-U-Y/ VC 40-UM-Y
Mains frequency	50 / 60 Hz	50 / 60 Hz
Weight in accordance with EPTA procedure 01/2003	15.3 kg / 15.3 kg	16.9 kg / 16.9 kg
Weight of suction hose	1.3 kg	1.3 kg
Dimensions (L x W x H)	545 mm x 380 mm x 545 mm	530 mm x 380 mm x 675 mm
Supply cord	5 m	5 m
Container capacity	21 l	36 l
Effective dust capacity	23 kg	40 kg
Effective water capacity	13.5 l	25 l
Suction hose diameter (rotary connector at nozzle end; connector at vacuum cleaner end)	36 mm	36 mm
Air temperature	-10...+40°C	-10...+40°C
Automatic filter cleaning (can be disabled) approx. every	15 s	15 s

## Charging station

Output power	365 W
Output voltage	7.2...36 V
Control	Electronic charging control (microcontroller)
Cooling	Active cooling
Battery	Li-ion

en

### NOTE

Battery charging times are extended if temperatures are too high or too low. Cold temperatures may result in the battery not being fully charged.

Voltage	Type	Charging time	For power tools (examples):
14.4 V	B 14/1.6 Li-Ion	21 min	SFC 14-A
14.4 V	B 14/3.3 Li-Ion	23 min	SFC 14-A
21.6 V	B 22/1.6 Li-Ion	21 min	SFC 22-A
21.6 V	B 22/2.6 Li-Ion	24 min	SFH 22-A
21.6 V	B 22/3.3 Li-Ion	31 min	SFC 22-A
36 V	B 36/3.0 Li-Ion	24 min	TE 6-A36
36 V	B 36/3.9 Li-Ion	44 min	TE 7-A
36 V	B 36/6.0 Li-Ion	42 min	TE 30-A

Battery	B 36/6.0 Li-Ion
Rated voltage	36 V
Capacity	6 Ah
Energy capacity	216 Wh
Weight	1.8 kg
Type of cell	Li-ion
Temperature monitoring	NTC
Deep discharge prevention	Yes

## 5 Safety instructions

### 5.1 General safety instructions

**WARNING! Read all safety instructions and other instructions.** Failure to follow safety instructions and other instructions may result in electric shock, fire and/or serious injury. **Keep all safety instructions and other instructions for future reference.**

#### 5.1.1 Work area safety

- Keep your work area clean and well lit.** Cluttered or dark working areas invite accidents.
- Do not operate appliances in explosive atmospheres, such as in the presence of flammable liquids, gases or dust.** Tools and appliances create sparks which may ignite the dust or fumes.
- Keep children and other persons away from the area while the appliance is in use.** Distractions can cause you to lose control.

### 5.1.2 Electrical safety

- The appliance's supply cord plug must match the outlet. Never modify the plug in any way. Do not use any adapter plugs with earthed (grounded) appliances.** Unmodified plugs and matching outlets will reduce risk of electric shock.
- Avoid body contact with earthed or grounded surfaces, such as pipes, radiators, ranges and refrigerators.** There is an increased risk of electric shock if your body is earthed or grounded.
- Do not expose appliances to rain or wet conditions.** Water entering an appliance will increase the risk of electric shock.
- Do not abuse the cord. Never use the cord for carrying, pulling or unplugging the appliance. Keep the cord away from heat, oil, sharp edges or mov-**

ing parts. Damaged or entangled cords increase the risk of electric shock.

- e) **When operating an appliance outdoors, use an extension cord suitable for outdoor use.** Use of a cord suitable for outdoor use reduces the risk of electric shock.
- f) **If use of the appliance in a damp environment cannot be avoided, use a ground fault circuit interrupter.** Use of a ground fault circuit interrupter reduces the risk of electric shock.

### 5.1.3 Personal safety

- a) **Stay alert, watch what you are doing and use common sense when operating the appliance. Do not use the appliance while tired or under the influence of drugs, alcohol or medication.** A moment of inattention while operating appliances may result in serious personal injury.
- b) **Avoid accidental starting. Check that the appliance is switched off before you connect it to the electric supply and/or the battery and before picking it up or carrying it.** Carrying appliances with your finger on the switch or plugging in appliances that are already switched on invites accidents.
- c) **Avoid unusual body positions. Keep proper footing and balance at all times.** This enables better control of the power tool in unexpected situations.
- d) **Dress properly. Do not wear loose clothing or jewellery. Keep your hair, clothing and gloves away from moving parts.** Loose clothes, jewellery or long hair can be caught in moving parts.
- e) **If devices are provided for the connection of dust extraction and collection facilities, ensure these are connected and properly used.** Use of dust collection can reduce dust-related hazards.

### 5.1.4 Use of the appliance

- a) **Do not overload the appliance. Use the correct appliance for the work you are doing.** The correct appliance will do the job better and safer at the rate for which it is designed.
- b) **Do not use an appliance if its switch is defective.** An appliance that cannot be controlled by the switch (switched on and off) is dangerous and must be repaired.
- c) **Disconnect the plug from the power source and/or remove the battery before making any adjustments, changing accessories, or storing the appliance.** Such preventive safety measures reduce the risk of starting the appliance accidentally.
- d) **Store appliances out of reach of children when not in use. Do not allow persons unfamiliar with the appliance or these instructions to operate it.** Appliances are dangerous in the hands of untrained users.
- e) **Maintain the machine carefully. Check for misalignment or binding of moving parts, breakage of parts and any other condition that may affect the machine's operation. If damaged, have the machine repaired before use.** Poor maintenance is the cause of many accidents.

- f) **Use the appliance and its accessories etc. in accordance with these instructions and in the manner intended for the particular type of appliance, taking into account the working conditions and the work to be performed.** Use of appliances for applications different from those intended could result in a hazardous situation.

### 5.1.5 Service

**Have your appliance serviced by a qualified repair person using only identical replacement parts.** This will ensure that the safety of the appliance is maintained.

## 5.2 Additional safety precautions

### 5.2.1 Personal protective equipment



- a) **The user and any other persons in the vicinity must wear suitable eye protection, a hard hat, ear protection, protective gloves, safety footwear and respiratory protection while the appliance is in use or during servicing.**
- b) **When working with mineral drilling slurry, wear protective clothing and avoid skin contact with the slurry (pH>9: caustic).**

### 5.2.2 Requirements to be met by users

- a) **The machine may be operated, serviced and repaired only by authorized, trained personnel. This personnel must be informed of any special hazards that may be encountered.**
- b) **Use extra care when cleaning on stairs.**
- c) **Do not put any object into openings. Do not use with any opening blocked; keep free of dust, lint, hair, and anything that may reduce air flow.**

### 5.2.3 Proper organization of the work area



- a) **Ensure that the workplace is well ventilated.** Exposure to dust at a poorly ventilated workplace may result in damage to the health.
- b) **Keep the work area tidy. Any objects which may cause injury should be removed from the area.** Untidiness at the workplace can lead to accidents.
- c) **Do not allow other persons to touch the appliance or the extension cord.**

- d) **Always lead the supply cord, the extension cord and the suction hose away to the rear when working.** This will help to prevent tripping while working.
- e) **After finishing the work, always tidy up and stow the supply cord, extension cord and suction hose away securely.** This will reduce the risk of tripping and falling.
- f) **Do not transport the appliance by crane.**
- g) **Children must be instructed not to play with the appliance.**
- h) **This appliance is not intended for use by persons (including children) with reduced physical, sensory or mental capabilities, or lack of experience and knowledge, unless they have been given supervision or instruction concerning use of the appliance by a person responsible for their safety.**

#### 5.2.4 Use and care of the appliance

- a) **Never leave the appliance unattended.**
- b) **Protect the appliance from frost.**
- c) **With vacuum cleaners of the class M, take care to ensure that the hose socket cap is fitted when the appliance is transported or not in use.**
- d) **Check that the filter is seated correctly. Check to ensure that the filter is undamaged.**
- e) **Do not pull the wheels of the vacuum cleaner over the supply cord.**
- f) **The water level limiting device must be cleaned regularly with a brush in accordance with instructions and checked for signs of damage.**
- g) **Recharge only with the charger specified by the manufacturer.** A charger that is suitable for one type of battery pack may create a risk of fire when used with another battery pack.
- h) **When battery pack is not in use, keep it away from other metal objects, like paper clips, coins, keys, nails, screws or other small metal objects, that can make a connection from one terminal to another.** Shorting the battery terminals together may cause burns or a fire.
- i) **Under abusive conditions, liquid may be ejected from the battery; avoid contact. If contact accidentally occurs, flush with water. If liquid contacts eyes, additionally seek medical help.** Liquid ejected from the battery may cause irritation or burns.
- j) **Do not expose batteries to high temperatures or fire.** This presents a risk of explosion.
- k) **Do not disassemble, squash or incinerate batteries and do not subject them to temperatures over 80°C.** This presents a risk of fire, explosion or injury through contact with caustic substances.
- l) **Avoid ingress of dampness.** Dampness may cause a short circuit resulting in a risk of burning injury or fire.
- m) **Do not use batteries other than those approved for use with the applicable tool or appliance.** Use of other batteries or use of the battery for purposes for which it is not intended presents a risk of fire and explosion.
- n) **Observe the special instructions applicable to the transport, storage and use of Li-ion batteries.**

- o) **Avoid short-circuiting the battery.** Before inserting the battery in the tool or appliance, check that the terminals of the battery and the tool or appliance are free from foreign objects. Short-circuiting the battery terminals presents a risk of fire, explosion or contact with caustic substances.
- p) **Do not charge or continue to use damaged batteries (e.g. batteries with cracks, broken parts, bent or pushed-in and/or pulled-out contacts).**

#### 5.2.5 Mechanical

Follow the instructions concerning care and maintenance.

#### 5.2.6 Electrical



- a) **Insert the plug in a suitable earthed/grounded power outlet which has been correctly and safely installed and is in compliance with local regulations.**
- b) **If you are in doubt about the effectiveness of the power outlet's earth/ground connection, have it checked by a qualified specialist.**
- c) **Check the appliance's supply cord at regular intervals and have it replaced at a Hilti service center if damage is found. Check extension cords at regular intervals and replace them if found to be damaged.**
- d) **Check the condition of the appliance and its accessories. Do not operate the appliance and its accessories if damage is found, if the appliance is incomplete or if its controls cannot be operated faultlessly.**
- e) **Do not touch the supply cord or extension cord if they are damaged while working. Disconnect the supply cord plug from the power outlet.** Damaged supply cords present a risk of electric shock.
- f) **The electric supply cord may be replaced only with a cord of the type specified in the operating instructions.**
- g) **In case of an interruption in the electric supply: Switch the appliance off and unplug the supply cord.**
- h) **Avoid using extension cords with multiple power outlets and the simultaneous use of several appliances connected to one extension cord.**
- i) **Use the electric tool power outlet only for the purposes described in the operating instructions.**
- j) **Never spray the top section of the vacuum cleaner with water: this presents an electrical hazard and may damage the appliance.**
- k) **Connectors on mains power cables, extension cords or supply cords must provide protection from sprayed water.**
- l) **Grip the plug when unplugging the supply cord (do not pull or tug at the supply cord).**

- m) **Never pull the vacuum cleaner by the supply cord to a new working position.**
- n) **Never operate the appliance when it is dirty or wet.** Dust (especially dust from conductive materials) or dampness adhering to the surface of the appliance may, under unfavorable conditions, lead to electric shock. Dirty or dusty appliances should thus be checked at a Hilti service center at regular intervals, especially if used frequently for working on conductive materials.
- o) **Check to ensure that the supply cord does not lie in a puddle of water.**
- p) **Do not use the power outlet or accessories when the hands are wet.**

### 5.2.7 Material picked up



- a) **Do not use the appliance to pick up flammable or explosive dusts or dusts which present a health hazard (magnesium or aluminium dust, asbestos, etc.).**
- b) A vacuum cleaner of the dust class M is suitable for picking up dry, non-flammable dusts, wood chips

- or shavings, mineral dusts containing quartz and hazardous substances with an exposure limit value of  $\geq 0.1 \text{ mg/m}^3$ . **The vacuum cleaner must be equipped with a filter suitable for the hazard classification of the dusts to be picked up.**
- c) **Do not use the appliance to pick up flammable, explosive or aggressive liquids (coolants and lubricants, gasoline, solvents, acids ( $\text{pH} < 5$ ), alkalis ( $\text{pH} > 12.5$ ) etc.)**
- d) **Switch the appliance off immediately if foam or liquids escape from it.**
- e) **Avoid contact with alkaline or acidic liquids. If contact accidentally occurs, flush with water. In the event of the liquid coming into contact with the eyes, rinse the eyes with plenty of water and consult a doctor.**
- f) **Wear protective gloves when using the vacuum cleaner to pick up hot materials with a max. temperature of  $60^\circ\text{C}$ .**
- g) **Do not pick up objects or materials that could cause injury by piercing through the dust bag (e.g. pointed or sharp objects).**

### 5.2.8 Thermal

**Do not use the vacuum cleaner to pick up hot materials with a temperature of over  $60^\circ\text{C}$  (glowing cigarettes, hot ash, etc.).**

## 6 Before use



### 6.1 Using the vacuum cleaner

#### CAUTION

The mains voltage must comply with the specification given on the type identification plate. Ensure that the appliance is disconnected from the electric supply.

#### DANGER

Connect the appliance only to properly earthed/grounded power sources.

#### CAUTION

Always check to ensure that the vacuum cleaner is standing securely. Engage the castor brakes.

#### CAUTION

When fitting the top section of the vacuum cleaner, take care to avoid pinching your fingers or damaging the supply cord.

### 6.1.1 Operating the appliance for the first time

1. Remove the appliance from the packaging and connect the suction hose supplied to the hose socket.  
**NOTE** Use the class M version for picking up dusts with an exposure limit value of  $\geq 0.1 \text{ mg/m}^3$ . Fit a plastic dust bag for mineral dust or a paper dust bag for wood chips or shavings in the container in accordance with the instructions.  
**NOTE** When used to pick up harmless dusts: Fit a plastic dust bag in the container in accordance with the instructions (see printed instructions).

#### 6.1.1.1 Fitting a paper dust bag for picking up wood chips or shavings **2**

1. Open the two catches.
2. Lift the vacuum cleaner top section away from the waste material container.
3. Push the cardboard flange of the paper dust bag into the plastic adapter.
4. Engage the plastic adapter with the paper dust bag in the holder provided in the container.

- Fit the vacuum cleaner top section onto the waste material container.
- Close the two catches.
- Check to ensure that the vacuum cleaner top section is fitted correctly and secured.
- Connect the suction hose to the appliance.

#### 6.1.1.2 Fitting the plastic dust bag

- Open the two catches.
- Lift the vacuum cleaner top section away from the waste material container.
- Fit a new plastic dust bag (see instructions printed on it) in the waste material container.
- Fit the vacuum cleaner top section onto the waste material container.
- Close the two catches.

### 6.2 Charging batteries

#### 6.2.1 Battery use and care

##### CAUTION

This appliance is designed for use with the specified Hilti batteries. Charging other batteries is not permissible. A risk of personal injury or fire and irreparable damage to the battery and appliance may otherwise result. A caustic liquid may leak from defective batteries. Avoid contact with this liquid.

##### NOTE

Before inserting the battery, check that the contacts in the charging station are clean and free from grease.

Store the battery in a cool, dry place. Never store the battery where it is exposed to the heat of the sun, on a radiator or behind glass, e.g. at a window. Batteries that have reached the end of their life must be disposed of safely and correctly to avoid environmental pollution.

#### 6.2.2 Charging the battery



##### DANGER

Use only the specified Hilti batteries.

##### DANGER

Charge the batteries only in this appliance or with a Hilti charger.

#### 6.2.2.1 Charging a new battery for the first time

Charge the battery fully before using it for the first time.

#### 6.2.2.2 Charging a previously used battery

##### DANGER

Charge the batteries only in this appliance or with a Hilti charger.

Ensure that the outer surfaces of the battery are clean and dry before inserting the battery in the charging station.

#### 6.2.2.3 Recharging Li-ion batteries

##### CAUTION

Make sure that the outer surfaces of the battery are clean and dry before inserting it in the charging station.

Lithium-ion battery packs are ready to use at any time, even when only partially charged. Charging progress is indicated by the LEDs.

#### 6.2.3 Fitting the battery

##### DANGER

Use only the specified Hilti batteries.

- Open the battery compartment cover.
- Push the battery into the appliance from the rear as far as it will go and until it is heard to engage with a click.
- CAUTION** A falling battery may present a risk of injury to yourself and others.  
Before beginning the work, check that the battery is fitted securely to the appliance.

#### 6.2.4 Removing the battery

- Open the battery compartment cover.
- Press one or both release buttons.
- Pull the battery out of the appliance toward the rear.

#### 6.2.5 Transport and storage of battery packs

If you disconnect a battery pack from the power tool for transport or storage, make sure that the contacts of the battery pack are not short-circuited. Remove loose metal parts such as screws, nails, clamps, loose screw bits, wires or metal swarf from the case, toolbox or transport container, or prevent these parts from coming into contact with the battery packs.

Observe national and international transport regulations when shipping battery packs (transportation by road, rail, sea or air).

#### 6.3 Using the vacuum cleaner in battery-powered mode (after charging)

Fit one or two batteries of a type specified for use with the appliance, as previously described.

##### NOTE

Make sure that the batteries are charged.

#### 6.4 Transport

##### DANGER

With vacuum cleaners of the class M, take care to ensure that the hose socket cap is fitted when the appliance is transported or not in use.



Do not carry the appliance when it is full of waste material.

Empty the appliance before carrying it to another location.

Do not tip the appliance or lay it on its side for transport after using it to collect water.

The tapered adapter can be used to connect both ends of the hose together for transport.

## 7 Operation

### WARNING

For vacuum cleaners of the class M, please note: **Vacuum off the outer surfaces of the appliance, wipe it clean or seal it in a suitable container or material before removing it from an area contaminated with hazardous substances. All parts of the appliance must be regarded as being contaminated when they are removed from the hazardous area and suitable measures must be taken to avoid spreading dust.**

### CAUTION

For vacuum cleaners of the class M, please note: **CAUTION: Always use a suitable dust bag. This appliance contains harmful dust. Emptying or maintenance procedures, including disposal of the dust bag and its contents, may be carried out only by correspondingly trained specialists wearing the appropriate protective equipment (respiratory protection of the class P2 or higher and disposable clothing). Do not operate the appliance if the filter system is incomplete.**

### CAUTION

**Always check to ensure that the vacuum cleaner is standing securely. Engage the castor brakes.**

#### 7.1 Mains-powered operation

1. Plug the supply cord into the power outlet.
2. Turn the control switch to the "ON" position.

#### 7.2 Battery-powered operation

##### NOTE

The appliance may be powered by either one or two 36V batteries. With one battery, running time will be reduced by half.

##### NOTE

In battery-powered mode, the built-in electric supply socket for power tools cannot be used.

1. Insert at least one Hilti 36V 6.0Ah Li-ion battery in a battery compartment.
2. Turn the control switch to the "ON" position.
3. Charge status is indicated by the LED display on the appliance during operation.

#### 7.3 Hose diameter setting (VC 20-UM-Y/ VC 40-UM-Y)

In order to ensure that the M-function warning signal tone threshold is configured correctly, the hose diameter setting must correspond to the hose diameter used.

#### 7.4 Using the electric tool power outlet on the appliance (applies only to mains-powered operation)

##### DANGER

The power outlet is to be used only to connect electric tools directly to the vacuum cleaner.

##### NOTE

Check that the power tool is switched off before plugging it into the power outlet on the vacuum cleaner.

##### NOTE

The operating instructions and safety instructions for the power tool plugged into the power outlet on the vacuum cleaner must be observed.

##### NOTE

Check to ensure that the maximum power drawn by the power tool is below the maximum permissible output of the power outlet on the vacuum cleaner (please refer to the "Technical data" section of the operating instructions and information printed on the power outlet).

1. Plug the vacuum cleaner's supply cord into the power outlet.
2. Turn the control switch to the "AUTO" position.
3. Switch on the power tool. The vacuum cleaner starts automatically.

**NOTE** The vacuum cleaner will continue to run for a short time after switching off the power tool in order to ensure that all dust is removed from the suction hose.

#### 7.5 Picking up dry dust

##### NOTE

Before using the appliance to pick up dry dust, especially dust from mineral materials, always check to ensure that the correct dust bag (Hilti accessory) is fitted in the container. The material collected can then be disposed of cleanly and easily.

##### CAUTION

**The material collected must be disposed of in accordance with the applicable regulations.**

##### CAUTION

**Never use the appliance without a filter element.**

## CAUTION

When fitting the top section of the vacuum cleaner, take care to avoid pinching your fingers or damaging the supply cord.

### 7.5.1 Automatic filter element cleaning

#### NOTE

Do not attempt to clean the filter element by knocking it against a hard object and do not use pointed instruments. This will reduce the life of the filter element.

#### NOTE

Do not use compressed air to clean the filter element. This may cause tears in the filter material.

#### NOTE

The condition of the filter will deteriorate with use. It should be replaced at least every 6 months and more frequently if the appliance is subject to heavy use.

#### NOTE

The filter element cleaning system functions only when a suction hose is connected.

The appliance is equipped with an automatic filter cleaning system which removes most of the dust adhering to the filter element. The filter cleaning system can be switched OFF by pressing the button (16) and switched back ON by pressing the button again. The system's status is shown by the automatic filter cleaning system status indicator LED: LED lights = the filter cleaning system is active. LED does not light = the filter cleaning system has been deactivated. The filter cleaning system is set to "ON" (active) automatically each time the appliance is switched on.

The filter element is cleaned automatically by a blast of air (a pulsating noise is heard).

### 7.5.2 Changing the paper dust bag 2

#### DANGER

Check that the bag has not been pierced through by objects which may cause injury.

#### CAUTION

The material collected must be disposed of in accordance with the applicable regulations.

1. Disconnect the supply cord plug from the power outlet.
2. Open the two catches.
3. Lift the vacuum cleaner top section away from the waste material container.
4. Carefully release the mouth of the paper dust bag from the adapter.
5. Close the slider on the dust bag sleeve.
6. Clean the waste material container with a cloth.
7. Fit a new dust bag in the waste material container.
8. Fit the vacuum cleaner top section onto the waste material container.
9. Close the two catches.

### 7.5.3 Changing the plastic dust bag 4

#### DANGER

Check that the bag has not been pierced through by objects which may cause injury.

#### CAUTION

The material collected must be disposed of in accordance with the applicable regulations.

1. Disconnect the supply cord plug from the power outlet.
2. Open the two catches.
3. Lift the vacuum cleaner top section away from the waste material container.
4. Use a cable tie to close the plastic dust bag below the punched holes.
5. Remove the plastic dust bag.
6. Clean the waste material container with a cloth.
7. Fit a new plastic dust bag (see instructions printed on it) in the waste material container.
8. Fit the vacuum cleaner top section onto the waste material container.
9. Close the two catches.

### 7.6 Audible signal (VC 20-UM-Y/ VC 40-UM-Y)

For safety reasons, an audible warning signal is emitted when the air speed in the hose drops below 20 m/s. Please refer to the "Troubleshooting" section for possible causes of this problem.

### 7.7 Picking up liquids

#### DANGER

Do not use the appliance to pick up hazardous dusts.

#### DANGER

The supply cord plug must be unplugged from the power outlet and the batteries removed from the appliance before beginning maintenance.

#### CAUTION

Never use the appliance without a filter element.

#### 7.7.1 Before picking up liquids

1. Remove the dust bag from the waste material container.
2. Check that the level monitoring electrodes (two metal discs on the underside of the vacuum cleaner top section) are clean. If necessary, use a brush to clean these parts.

#### 7.7.2 When picking up liquids

If possible, use a separate filter element for wet applications.

#### NOTE

If possible, use a Hilti PTFE filter element.

If foaming occurs, switch the appliance off immediately and empty the container.

The appliance switches itself off automatically when the liquid in the container reaches the maximum level.

**7.7.3 After picking up liquids**

1. Open the two catches.
2. Lift the vacuum cleaner top section away from the waste material container.
3. Empty the container and use a water hose to clean it. Use a brush to clean the electrodes.

**7.8 After finishing work**

1. Switch off the power tool.
2. Turn the control switch to the "OFF" position.
3. Disconnect the supply cord plug from the power outlet.
4. Coil the supply cord around the supply cord storage point.
5. Coil the suction hose around the appliance and secure the end of the hose in the hose holder provided.
6. Store the appliance in a secure, dry place where it is inaccessible to unauthorized users.

**7.9 Emptying the waste material container**

**CAUTION**

Remove all items attached to the adapter plate on the vacuum cleaner top section (e.g. Hilti toolboxes) before emptying the container holding the material picked up.

**7.9.1 Emptying dry dust from the waste material container**

**7.9.1.1 Before emptying the waste material container, proceed as follows:**

1. Disconnect the supply cord plug from the power outlet.
2. Lift the vacuum cleaner top section away from the waste material container and place it on a level surface.

**7.9.1.2 After emptying the waste material container, proceed as follows:**

**CAUTION**

When fitting the top section of the vacuum cleaner, take care to avoid pinching your fingers or damaging the supply cord.

Fit the vacuum cleaner top section onto the waste material container and close the two catches.

**7.9.2 Emptying the waste material container when no dust bag is fitted (collecting liquids)**

**NOTE**

The material collected must be disposed of in accordance with the applicable regulations.

1. Hold the container by the grip areas provided and tip it over to empty out its contents.
2. Clean the edge of the waste material container with a damp cloth.

**7.10 Using the appliance as a charging station**

Overview of the charging station status indicator

	LED lights constantly	The appliance is connected to the electric supply and is ready for use.
	LED blinks	The battery is too cold or too hot and is not being charged. The charger switches automatically to charging mode as soon as the battery reaches the required temperature.
	LED doesn't light	Charger malfunction. Unplug the appliance and then plug it in again. If the LED still doesn't light, the appliance should be returned to a Hilti Service Center for repair.

**7.10.1 Charging status display**

While the green charge status LED on the charging station lights constantly, if one of the two charge status LEDs blinks this indicates that charging is in progress.

**7.10.2 Indication of too high / too low temperature**

The green charge status LED will blink if the battery is too hot or too cold. At the same time, the LEDs on the battery indicate the charge status of the Li-ion battery.

**7.10.3 Indication of a defective battery**

Remove the battery from the charging station if the green status LED on the charging station lights constantly but all charge status LEDs do not light. If all charge status LEDs on the battery fail to light even after being activated then the battery is defective. Have the battery tested at a Hilti center.

### 7.11 Using the appliance as a transport trolley

1. Fit the pushbar, following the assembly instructions provided.
2. Attach the adapter plate, following the assembly instructions provided.
3. Bring the toolbox retaining bar into the vertical position.
4. Slide the grip of the applicable Hilti toolbox over the toolbox retaining bar. Make sure that the lettering on the Hilti toolbox is the right way up.
5. The toolbox retaining bar and the ribs prevent the toolbox from sliding out of place.

**NOTE** The maximum permissible additional load is 25 kg. Do not stack too many toolboxes one on top of the other. The toolbox retaining bar must always project beyond the grip opening in the uppermost toolbox.

### 7.12 Attaching the DPC 20 (for use with the DG 150 grinder)

1. Fit the pushbar, following the assembly instructions provided.
2. Attach the adapter plate, following the assembly instructions provided.
3. Make sure that the toolbox retaining bar is engaged in the horizontal position.
4. Place the DPC 20 in the recess provided. Make sure that the power outlet is facing towards the front.
5. Secure the DPC 20 with the rubber straps.

en

## 8 Care and maintenance

### NOTE

All items attached to the vacuum cleaner top section (e.g. Hilti toolboxes) should be removed from the adapter plate before the battery compartment cover is opened.

### NOTE

The automatic filter cleaning system should not be switched off when the vacuum cleaner is used to pick up mineral dust containing quartz.

### CAUTION

For vacuum cleaners of the class M, please note: **CAUTION: Always use a suitable dust bag. This appliance contains harmful dust. Emptying or maintenance procedures, including disposal of the dust bag and its contents, may be carried out only by correspondingly trained specialists wearing the appropriate protective equipment (respiratory protection of the class P2 or higher and disposable clothing). Do not operate the appliance if the filter system is incomplete.**

### 8.1 Changing the filter element

#### CAUTION

**Never use the appliance without a filter element.**

#### 8.1.1 Removing the filter element

1. Disconnect the supply cord plug from the power outlet.
2. Open the filter cover clips.
3. Open the battery compartment cover clip.
4. Remove any batteries from the battery compartment.
5. Use a screwdriver to unscrew the two filter cover retaining screws (turn the screws counterclockwise).
6. Lift the filter cover by the centrally-positioned grip until it engages in place.
7. Remove the filter element carefully.

### 8.1.2 Fitting the filter element

1. Clean the sealing surface with a cloth.
2. Fit the new filter element.
3. Close the filter cover by pivoting the cover catch forward.
4. Use a screwdriver to tighten the two filter cover retaining screws (turn the screws clockwise).
5. Reinsert any batteries you previously removed.
6. Close the battery compartment cover and secure the regulating.

### 8.2 Checking the waste material level

Check the cut-out contacts and clean them with a brush if necessary (if dirty).

### 8.3 Closing the appliance

#### CAUTION

**When fitting the top section of the vacuum cleaner, take care to avoid pinching your fingers or damaging the supply cord.**

1. Check the seal at the vacuum cleaner top section and also clean this with a cloth.
2. Fit the vacuum cleaner top section onto the waste material container.
3. Close the two catches.

### 8.4 Care of the appliance

#### DANGER

**Disconnect the supply cord plug from the power outlet. Remove any batteries from the battery compartment.**

Never operate the appliance when the ventilation slots are blocked. Clean the ventilation slots carefully using a

dry brush. Clean the outside of the appliance at regular intervals with a cloth. Do not use a spray, high-pressure water-jet system, steam pressure cleaning equipment or running water for cleaning. This may negatively affect the electrical safety of the appliance. Always keep the grip surfaces of the appliance free from oil and grease. Do not use cleaning agents which contain silicone.

For vacuum cleaners of the class M, please note: The appliance must be handled for cleaning and maintenance in a way that avoids exposing maintenance personnel and other persons to any hazards. Use filtered forced ventilation. Wear personal protective equipment. Clean the maintenance area in a way that prevents hazardous substances escaping into the surrounding environment. Vacuum off the outer surfaces of the appliance, wipe it clean or seal it in suitable container or material before removing it from an area contaminated with hazardous substances. This will help to avoid distribution of the hazardous dust deposited on it.

When maintenance or repairs are carried out, all contaminated parts which cannot be satisfactorily cleaned must be packed in impermeable bags and disposed of in compliance with the applicable disposal regulations.

A vacuum cleaner of the class M must be subjected to a technical inspection by Hilti Service or a trained person at least once a year to check, for example, for damage to the filter, air leakage, and to ensure correct operation of controlling devices.

### 8.5 Care of the Li-ion battery

Avoid ingress of moisture.

Charge the battery fully before using it for the first time. In order to achieve maximum battery life, stop discharging the battery as soon as a significant drop in performance is noticed.

#### NOTE

If use of the tool continues, further battery discharge will be stopped automatically before the battery cells suffer damage. The tool switches itself off.

Charge the battery with the Hilti charger approved for use with Li-ion batteries.

#### NOTE

- A conditioning charge (as is required with NiCd batteries) is not necessary.
- Interruption of the charging procedure has no negative effect on battery life.
- Charging can be started at any time with no negative effect on battery life. There is no memory effect (as with NiCd batteries).
- For best results, batteries should be stored fully charged in a cool dry place. Storing the battery in places subject to high ambient temperatures (e.g. at a window) has an adverse effect on battery life and increases the rate of self-discharge.
- If the battery no longer reaches full charge, it may have lost capacity due to aging or overstraining. It is possible to continue working with a battery in this condition but it should be replaced in good time.

### 8.6 Maintenance

#### WARNING

**Repairs to the electrical section of the appliance may be carried out only by trained electrical specialists.**

Check all external parts of the appliance for damage at regular intervals and check that all controls operate faultlessly. Do not operate the appliance if parts are damaged or when the controls do not function faultlessly. If necessary, the appliance should be repaired by Hilti Service.

### 8.7 Checking the appliance after care and maintenance

After carrying out cleaning and maintenance, check that the vacuum cleaner has been correctly reassembled and that it operates faultlessly.

Test each of the functions.

## 9 Troubleshooting

### DANGER

In the event of a malfunction, disconnect the supply cord plug from the power outlet. Remove any batteries from the battery compartment. The malfunction must be remedied before further use of the appliance.

#### 9.1 Battery and mains-powered operation

Fault	Possible cause	Remedy
The warning tone is activated (reduced suction performance; VC 20-UM-Y/ VC 40-UM-Y).	The dust bag is full.	Change the dust bag. See section: 7.5.3 Changing the plastic dust bag <b>4</b> See section: 7.5.2 Changing the paper dust bag <b>2</b>

<b>Fault</b>	<b>Possible cause</b>	<b>Remedy</b>
The warning tone is activated (reduced suction performance; VC 20-UM-Y/ VC 40-UM-Y).	The filter element is clogged with dirt or dust.	Switch the automatic filter cleaning system on then perform the "power cleaning" procedure: Disconnect the suction hose, cover the suction opening with your hand and keep it covered until three cleaning cycles have been completed. Change the filter element if necessary. See section: 8.1 Changing the filter element
	Blockage in the hose, vacuum cleaner or power tool dust hood.	Clean the hose and dust hood.
	The hose diameter selector switch is set incorrectly.	See section: 7.3 Hose diameter setting (VC 20-UM-Y/VC 40-UM-Y)
Dust is blown out of the appliance.	Dust on the sealing surfaces between the container and top section of the appliance.	Clean the sealing surfaces.
	The filter element is not fitted correctly.	Remove the filter element and refit it correctly.
	The filter element is damaged.	Fit a new filter element.
	The filter seal is damaged.	Fit a new filter element.
The appliance doesn't start or switches itself off after a short time.	The container level monitoring system has been triggered.	Clean the container level monitoring sensors and surrounding area with a brush.
No battery is detected, i.e. no LED lights or blinks.	The battery was inserted and removed too quickly.	Pull the battery out, wait approx. 2 seconds, and then re-insert it.

## 9.2 Mains-powered operation

<b>Fault</b>	<b>Possible cause</b>	<b>Remedy</b>
The motor doesn't restart.	The mains circuit breaker has been tripped.	Reset the circuit breaker. Find the reason for the overload current if it trips again.
	The container is full.	Switch the appliance off. Empty the container. See section: 7.9.2 Emptying the waste material container when no dust bag is fitted (collecting liquids)
The appliance switches itself off or on inadvertently or the user receives electric shocks (static discharge).	Electrostatic charge is not dissipated correctly; the appliance is connected to an unearthed/ungrounded power outlet.	Connect the appliance to an earthed/grounded power outlet; use an antistatic hose.
The charging station status LED blinks.	The battery is too hot or too cold.	Bring the battery to room temperature.
Doesn't switch over to a discharged battery.	No contact.	Reinsert the battery.
	The battery was not detected.	Remove the battery from the appliance and contact Hilti.
The motor doesn't run when set to "AUTO".	The electric tool is faulty or is not plugged in fully.	Check the electric tool for correct operation and plug it in fully.
The automatic filter element cleaning system doesn't work.	No suction hose is connected.	Connect the suction hose.
	APFC button is in the OFF position (LED doesn't light).	Press the APFC button.

### 9.3 Battery-powered operation

Fault	Possible cause	Remedy
The appliance doesn't work.	The wrong battery has been used.	Fit the correct battery.
	The battery is discharged or fitted incorrectly.	The battery must engage with an audible click or, respectively, needs to be charged.
	Electrical fault.	Remove the battery from the power tool and contact Hilti Service.
	The battery is too hot or too cold.	Bring the battery to room temperature.
The power tool doesn't work and 1 LED blinks.	The battery is discharged.	Change the battery and recharge the discharged battery.
	The battery is too hot or too cold.	Bring the battery to room temperature.
The appliance doesn't work and the charging station LED blinks.	The overheating prevention cut-out has been activated.	Allow the power tool to cool down.
The battery runs down more quickly than usual.	Battery condition is not optimal.	Have the battery condition checked by Hilti or replace the battery.
The battery doesn't engage with an audible click.	The retaining lugs on the battery are dirty.	Clean the retaining lugs and check that the battery engages securely. Contact Hilti Service if the problem persists.
The appliance or battery get very hot.	Electrical fault.	Switch the tool off immediately, remove the battery and contact Hilti Service.
Doesn't switch over to a fully-charged battery.	No contact.	Reinsert the battery.
	The battery was not detected.	Remove the battery from the appliance and contact Hilti.
The appliance switches itself off when a battery is removed even though a second battery is already fitted.	The battery you removed was "active", i.e. it was powering the system.	Switch the appliance off and then on again.

## 10 Disposal

### CAUTION

Improper disposal of the equipment may have serious consequences: The burning of plastic components generates toxic fumes which may present a health hazard. Batteries may explode if damaged or exposed to very high temperatures, causing poisoning, burns, acid burns or environmental pollution. Careless disposal may permit unauthorized and improper use of the equipment. This may result in serious personal injury, injury to third parties and pollution of the environment.

### CAUTION

Dispose of defective batteries without delay. Keep them out of reach of children. Do not attempt to open or dismantle batteries and do not dispose of them by incineration.

### CAUTION

Dispose of the batteries in accordance with national regulations or return them to Hilti.



Most of the materials from which Hilti power tools or appliances are manufactured can be recycled. The materials must be correctly separated before they can be recycled. In many countries, Hilti has already made arrangements for taking back your old power tools or appliances for recycling. Ask Hilti customer service or your Hilti representative for further information.

en



For EC countries only

Do not dispose of electrical appliances together with household waste.

In observance of the European Directive on waste electrical and electronic equipment and its implementation in accordance with national law, electrical appliances and batteries that have reached the end of their life must be collected separately and returned to an environmentally compatible recycling facility.

**Disposing of drilling slurry**

Disposing of drilling slurry directly into rivers, lakes or the sewerage system without suitable pretreatment presents environmental problems. Ask the local public authorities for information about current regulations. We recommend the following pretreatment:

1. Collect the drilling slurry (for example, using a wet-type vacuum cleaner).
2. Allow the drilling slurry to settle and dispose of the solid material at a construction waste disposal site (the addition of a flocculent may accelerate the separation process).
3. The remaining water (alkaline, pH value greater than 7) must be neutralized by the addition of an acidic neutralizing agent or diluted with a large volume of water before it is allowed to flow into the sewerage system.

**Disposal of drilling dust**

The drilling dust collected must be disposed of in accordance with the applicable national regulations.

**11 Manufacturer's warranty**

Please contact your local Hilti representative if you have questions about the warranty conditions.

**12 EC declaration of conformity (original)**

Designation:	Wet / dry vacuum cleaner
Type:	VC 20-U-Y/VC 20-UM-Y/VC 40-U-Y/VC 40-UM-Y
Generation:	01
Year of design:	2012

We declare, on our sole responsibility, that this product complies with the following directives and standards: 2006/42/EC, 2004/108/EC, 2011/65/EU, EN 60335-1, EN 60335-2-69, EN 60335-2-29, EN ISO 12100.

**Hilti Corporation, Feldkircherstrasse 100, FL-9494 Schaan**

**Paolo Luccini**  
 Head of BA Quality and Process Management  
 Business Area Electric Tools & Accessories  
 07/2012

**Johannes Wilfried Huber**  
 Senior Vice President  
 Business Unit Diamond

07/2012

**Technical documentation filed at:**

Hilti Entwicklungsgesellschaft mbH  
 Zulassung Elektrowerkzeuge  
 Hiltistrasse 6  
 86916 Kaufering  
 Deutschland



Hilti Corporation

LI-9494 Schaan

Tel.: +423/234 21 11

Fax: +423/234 29 65

[www.hilti.com](http://www.hilti.com)

5.964-698.0

Hilti = registered trademark of Hilti Corp., Schaan

W 4223 | 0314 | 00-Pos. 2 | 1

Printed in Germany © 2014

Right of technical and programme changes reserved S. E. & O.

2055199 / A5



2055199