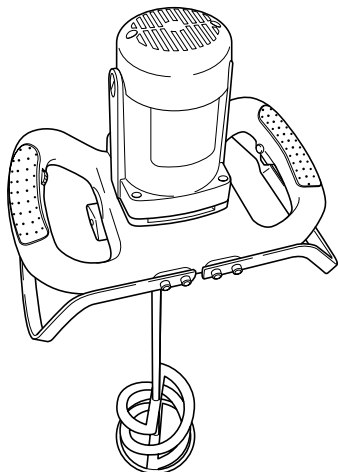


# HITACHI

## UM 16VST • UM 12VST



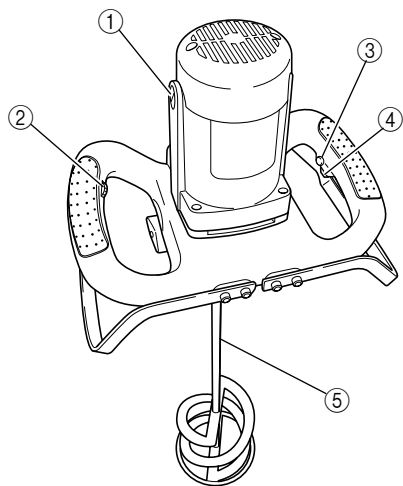
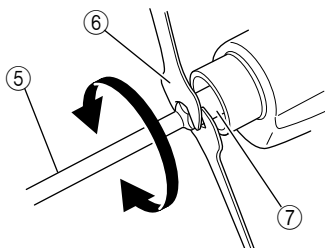
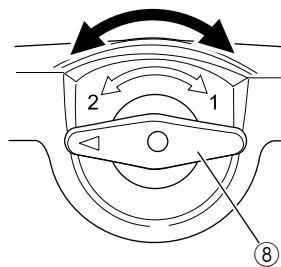
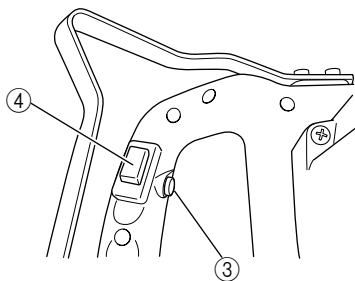
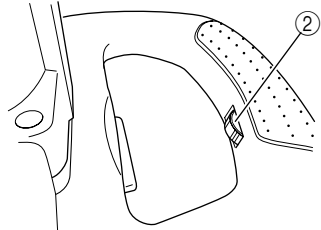
Read through carefully and understand these instructions before use.  
Diese Anleitung vor Benutzung des Werkzeugs sorgfältig durchlesen und verstehen.  
Lire soigneusement et bien assimiler ces instructions avant usage.  
Prima dell'uso leggere attentamente e comprendere queste istruzioni.  
Deze gebruiksaanwijzing s.v.p. voor gebruik zorgvuldig doorlezen.  
Leer cuidadosamente y comprender estas instrucciones antes del uso.  
Antes de usar, leia com cuidado para assimilar estas instruções.  
Läs bruksanvisningen noga igenom före verktygets användning.  
Læs instruktionerne nøje igennem, før maskinen tages i brug.  
Les grundig og forstå anvisningene før bruk.  
Lue ohjeet huolellisesti ennen käyttöä.



Handling instructions  
Bedienungsanleitung  
Mode d'emploi  
Istruzioni per l'uso  
Gebruiksaanwijzing  
Instrucciones de manejo

Instruções de uso  
Bruksanvisning  
Brugsanvisning  
Bruksanvisning  
Käyttöohjeet

**Hitachi Koki**











**1****2****3****4****5**

	English	Deutsch	Français	Italiano
①	Brush cap	Bürstenkappe	Couvercle du balais	Capsula della spazzola
②	Speed control dial	Drehzahlregler	Bouton de contrôle de la vitesse	Comando di velocità
③	Stopper	Stopper	Butée	Fermo
④	Trigger	Auslöser	Déclencheur	Grilletto
⑤	Stirrer paddle	Rührwerk	Palette de l'agitateur	Agitatore a paletta
⑥	Wrench	Schlüssel	Clé	Chiave
⑦	Spindle	Spindel	Broche	Mandrino
⑧	Gear shift dial	Gangschaltregler	Bouton de changement de la vitesse	Regolazione di velocità

	Nederlands	Español	Português	Svenska
①	Afdekkap borstel	Tapa de escobilla	Tampa da escova	Lock för borste
②	Toerentalknop	Rueda de control de velocidad	Botão de controlo rápido	Hastighetskontroll
③	Stopper	Tope	Obturador	Kork
④	Activator	Disparador	Gatilho	Avtryckare
⑤	Roerder	Argamasa de mezcla	Pá misturadora	Omrörningspinne
⑥	Moersleutel	Llave	Chave	Nyckel
⑦	As	Husillo	Eixo	Spindel
⑧	Versnellingsknop	Control de cambio de marchas	Botão de engrenagem	Växelkontroll

	Dansk	Norsk	Suomi
①	Børstedæksel	Børstehette	Harjan suojus
②	Hastighedsvælger	Hastighetsjustering	Nopeussäädin
③	Stopper	Stoppknapp	Pysäytin
④	Udløser	Utløser	Laukaisin
⑤	Omrører	Rørespade	Sekoitin
⑥	Skruenøgle	Nøkkel	Avain
⑦	Aksel	Spindel	Akseli
⑧	Gearsift	Girhjul	Vaihdesäädin

	<p><b>Symbols</b>   <b>WARNING</b>  The following show symbols used for the machine. Be sure that you understand their meaning before use.</p>	<p><b>Symbole</b>   <b>WARNUNG</b>  Die folgenden Symbole werden für diese Maschine verwendet. Achten Sie darauf, diese vor der Verwendung zu verstehen.</p>	<p><b>Symboles</b>   <b>AVERTISSEMENT</b>  Les symboles suivants sont utilisés pour l'outil. Bien se familiariser avec leur signification avant d'utiliser l'outil.</p>
	<p><b>Read all safety warnings and all instructions.</b>  Failure to follow the warnings and instructions may result in electric shock, fire and/or serious injury.</p>	<p><b>Lesen Sie sämtliche Sicherheitshinweise und Anweisungen durch</b>  Wenn die Warnungen und Anweisungen nicht befolgt werden, kann es zu Stromschlag, Brand und/oder ernsthaften Verletzungen kommen.</p>	<p><b>Lire tous les avertissements de sécurité et toutes les instructions.</b>  Tout manquement à observer ces avertissements et instructions peut engendrer des chocs électriques, des incendies et/ou des blessures graves.</p>
	<p>Only for EU countries  Do not dispose of electric tools together with household waste material!  In observance of European Directive 2002/96/EC on waste electrical and electronic equipment and its implementation in accordance with national law, electric tools that have reached the end of their life must be collected separately and returned to an environmentally compatible recycling facility.</p>	<p>Nur für EU-Länder  Werfen Sie Elektrowerkzeuge nicht in den Hausmüll!  Gemäss Europäischer Richtlinie 2002/96/EG über Elektro- und Elektronik-Altgeräte und Umsetzung in nationales Recht müssen verbrauchte Elektrowerkzeuge getrennt gesammelt und einer umweltgerechten Wiederverwertung zugeführt werden.</p>	<p>Pour les pays européens uniquement  Ne pas jeter les appareils électriques dans les ordures ménagères!  Conformément à la directive européenne 2002/96/CE relative aux déchets d'équipements électriques ou électroniques (DEEE), et à sa transposition dans la législation nationale, les appareils électriques doivent être collectés à part et être soumis à un recyclage respectueux de l'environnement.</p>
	<p><b>Simboli</b>   <b>AVVERTENZA</b>  Di seguito mostriamo i simboli usati per la macchina. Assicurarsi di comprenderne il significato prima dell'uso.</p>	<p><b>Symbolen</b>   <b>WAARSCHUWING</b>  Hieronder staan symbolen afgebeeld die van toepassing zijn op deze machine. U moet de betekenis hiervan begrijpen voor gebruik.</p>	<p><b> Símbolos</b>   <b>ADVERTENCIA</b>  A continuación se muestran los símbolos usados para la máquina. Asegúrese de comprender su significado antes del uso.</p>
	<p><b>Leggere tutti gli avvertimenti di sicurezza e tutte le istruzioni.</b>  La mancata osservanza degli avvertimenti e delle istruzioni potrebbe essere causa di scosse elettriche, incendi e/o gravi lesioni.</p>	<p><b>Lees alle waarschuwingen en instructies aandachtig door.</b>  Nalating om de waarschuwingen en instructies op te volgen kan in een elektrische schok, brand en/of ernstig letsel resulteren.</p>	<p><b>Lea todas las instrucciones y advertencias de seguridad.</b>  Si no se siguen las advertencias e instrucciones, podría producirse una descarga eléctrica, un incendio y/o daños graves.</p>
	<p>Solo per Paesi UE  Non gettare le apparecchiature elettriche tra i rifiuti domestici.  Secondo la Direttiva Europea 2002/96/CE sui rifiuti di apparecchiature elettriche ed elettroniche e la sua attuazione in conformità alle norme nazionali, le apparecchiature elettriche esauste devono essere raccolte separatamente, al fine di essere reimpiegate in modo eco-compatibile.</p>	<p>Alleen voor EU-landen  Geef elektrisch gereedschap niet met het huisvuil mee!  Volgens de Europese richtlijn 2002/96/EC inzake oude elektrische en elektronische apparaten en de toepassing daarvan binnen de nationale wetgeving, dient gebruikt elektrisch gereedschap gescheiden te worden ingezameld en te worden afgevoerd naar een recycle bedrijf dat voldoet aan de geldende milieu-eisen.</p>	<p>Sólo para países de la Unión Europea  ¡No desheche los aparatos eléctricos junto con los residuos domésticos!  De conformidad con la Directiva Europea 2002/96/CE sobre residuos de aparatos eléctricos y electrónicos y su aplicación de acuerdo con la legislación nacional, las herramientas eléctricas cuya vida útil haya llegado a su fin se deberán recoger por separado y trasladar a una planta de reciclaje que cumpla con las exigencias ecológicas.</p>

	<b>Símbolos</b>  <b>AVISO</b> A seguir aparecem os símbolos utilizados pela máquina. Assimile bem seus significados antes do uso.	<b>Symboler</b>  <b>VARNING</b> Nedan visas de symboler som används för maskinen. Se till att du förstår vad de betyder innan verktyget används.	<b>Symboler</b>  <b>ADVARSEL</b> Det følgende viser symboler, som anvendes for maskinen. Vær sikker på, at du forstår deres betydning, inden du begynder at bruge maskinen.
	<b>Leia todas as instruções e avisos de segurança.</b> Se não seguir todas as instruções e os avisos, pode provocar um choque eléctrico, incêndio e/ou ferimentos graves.	<b>Läs alla säkerhetsvarningar och alla instruktioner.</b> Underlåtenhet att följa varningarna och instruktionerna nedan kan resultera i elstötar, brand och/eller allvarliga skador.	<b>Læs alle sikkerhedsadvarsler og instruktioner.</b> Det kan medføre elektrisk stød, brand og/eller alvorlig personskaade, hvis alle advarslerne og instruktionerne nedenfor ikke overholdes.
	Apenas para países da UE Não deite ferramentas eléctricas no lixo doméstico! De acordo com a directiva europeia 2002/96/CE sobre ferramentas eléctricas e electrónicas usadas e a transposição para as leis nacionais, as ferramentas eléctricas usadas devem ser recolhidas em separado e encaminhadas a uma instalação de reciclagem dos materiais ecológica.	Gäller endast EU-länder Elektriska verktyg får inte kastas i hushållssoporna! Enligt direktivet 2002/96/EF som avser äldre elektrisk och elektronisk utrustning och dess tillämpning enligt nationell lagstiftning ska uttjänta elektriska verktyg sorteras separat och lämnas till miljövänlig återvinning.	Kun for EU-lande Elværktøj må ikke bortskaffes som almindeligt affald! I henhold til det europæiske direktiv 2002/96/EF om bortskaffelse af elektriske og elektroniske produkter og gældende national lovgivning skal brugt elværktøj indsamles separat og bortskaffes på en måde, der skåner miljøet mest muligt.
	<b>Symboler</b>  <b>ADVARSEL</b> Følgende symboler brukes for maskinen. Sørg for å forstå betydningen av disse symbolene før maskinen tas i bruk.	<b>Symbolit</b>  <b>VAROITUS</b> Seuraavassa on näytetty koneessa käytetty symbolit. Varmista, että ymmärrät niiden merkityksen ennen kuin aloitat koneen käytön.	
	<b>Les alle advarsler og sikkerhetsinstruksjoner.</b> Hvis du ikke følger alle advarsler og instruksjoner kan bruk av utstyret resultere i elektrisk støt, brann og/eller alvorlig personskaade.	<b>Lue kaikki turvallisuutta koskevat varoitukset ja kaikki ohjeet.</b> Jos varoituksia ja ohjeita ei noudateta, on olemassa sähköiskun, tulipalon ja/tai vakavan henkilövahingon vaara.	
	Kun for EU-land Kast aldri elektroverktøy i husholdningsavfallet! I henhold til EU-direktiv 2002/96/EF om kasserte elektriske og elektroniske produkter og direktivets iverksetting i nasjonal rett, må elektroverktøy som ikke lenger skal brukes, samles separat og returneres til et miljøvennlig gjenvinningsanlegg.	Koskee vain EU-maita Älä hävitä sähkötyökäluu tavallisen kotitalousjätteen mukana! Vanhoja sähkö- ja elektroniikkalaitteita koskevan EU-direktiivin 2002/96/EY ja sen maakohtaisten sovellusten mukaisesti käytetyt sähkötyökäluut on toimitettava ongelmajätteen keräyspisteeseen ja ohjattava ympäristöstävälliseen kierrätykseen.	

## GENERAL POWER TOOL SAFETY WARNINGS

### WARNING

Read all safety warnings and all instructions.

Failure to follow the warnings and instructions may result in electric shock, fire and/or serious injury.

Save all warnings and instructions for future reference.

The term "power tool" in the warnings refers to your mains-operated (corded) power tool or battery-operated (cordless) power tool.

#### 1) Work area safety

- a) **Keep work area clean and well lit.**  
*Cluttered or dark areas invite accidents.*
- b) **Do not operate power tools in explosive atmospheres, such as in the presence of flammable liquids, gases or dust.**  
*Power tools create sparks which may ignite the dust or fumes.*
- c) **Keep children and bystanders away while operating a power tool.**  
*Distractions can cause you to lose control.*

#### 2) Electrical safety

- a) **Power tool plugs must match the outlet. Never modify the plug in any way.**  
**Do not use any adapter plugs with earthed (grounded) power tools.**  
*Unmodified plugs and matching outlets will reduce risk of electric shock.*
- b) **Avoid body contact with earthed or grounded surfaces, such as pipes, radiators, ranges and refrigerators.**  
*There is an increased risk of electric shock if your body is earthed or grounded.*
- c) **Do not expose power tools to rain or wet conditions.**  
*Water entering a power tool will increase the risk of electric shock.*
- d) **Do not abuse the cord. Never use the cord for carrying, pulling or unplugging the power tool.**  
**Keep cord away from heat, oil, sharp edges or moving parts.**  
*Damaged or entangled cords increase the risk of electric shock.*
- e) **When operating a power tool outdoors, use an extension cord suitable for outdoor use.**  
*Use of a cord suitable for outdoor use reduces the risk of electric shock.*
- f) **If operating a power tool in a damp location is unavoidable, use a residual current device (RCD) protected supply.**  
*Use of an RCD reduces the risk of electric shock.*

#### 3) Personal safety

- a) **Stay alert, watch what you are doing and use common sense when operating a power tool.**  
**Do not use a power tool while you are tired or under the influence of drugs, alcohol or medication.**  
*A moment of inattention while operating power tools may result in serious personal injury.*
- b) **Use personal protective equipment. Always wear eye protection.**  
*Protective equipment such as dust mask, non-skid safety shoes, hard hat, or hearing protection used for appropriate conditions will reduce personal injuries.*
- c) **Prevent unintentional starting. Ensure the switch is in the off-position before connecting to power source and/or battery pack, picking up or carrying the tool.**

*Carrying power tools with your finger on the switch or energising power tools that have the switch on invites accidents.*

- d) **Remove any adjusting key or wrench before turning the power tool on.**  
*A wrench or a key left attached to a rotating part of the power tool may result in personal injury.*
- e) **Do not overreach. Keep proper footing and balance at all times.**  
*This enables better control of the power tool in unexpected situations.*
- f) **Dress properly. Do not wear loose clothing or jewellery. Keep your hair, clothing and gloves away from moving parts.**  
*Loose clothes, jewellery or long hair can be caught in moving parts.*
- g) **If devices are provided for the connection of dust extraction and collection facilities, ensure these are connected and properly used.**  
*Use of dust collection can reduce dust related hazards.*

#### 4) Power tool use and care

- a) **Do not force the power tool. Use the correct power tool for your application.**  
*The correct power tool will do the job better and safer at the rate for which it was designed.*
- b) **Do not use the power tool if the switch does not turn it on and off.**  
*Any power tool that cannot be controlled with the switch is dangerous and must be repaired.*
- c) **Disconnect the plug from the power source and/or the battery pack from the power tool before making any adjustments, changing accessories, or storing power tools.**  
*Such preventive safety measures reduce the risk of starting the power tool accidentally.*
- d) **Store idle power tools out of the reach of children and do not allow persons unfamiliar with the power tool or these instructions to operate the power tool.**  
*Power tools are dangerous in the hands of untrained users.*
- e) **Maintain power tools. Check for misalignment or binding of moving parts, breakage of parts and any other condition that may affect the power tool's operation.**  
**If damaged, have the power tool repaired before use.**  
*Many accidents are caused by poorly maintained power tools.*
- f) **Keep cutting tools sharp and clean.**  
*Properly maintained cutting tools with sharp cutting edges are less likely to bind and are easier to control.*
- g) **Use the power tool, accessories and tool bits etc. in accordance with these instructions, taking into account the working conditions and the work to be performed.**  
*Use of the power tool for operations different from those intended could result in a hazardous situation.*

#### 5) Service

- a) **Have your power tool serviced by a qualified repair person using only identical replacement parts.**  
*This will ensure that the safety of the power tool is maintained.*

#### PRECAUTION

Keep children and infirm persons away.

When not in use, tools should be stored out of reach of children and infirm persons.

## PRECAUTIONS ON USING THE MACHINE

- Do not use the power tool for explosive materials (e. g., easily inflammable solvents).**  
Power tools produce sparks which could ignite developing vapours.
- In case the power tool should fall into the material to be stirred, pull the plug immediately and have the power tool checked by an after-sales service agent.**  
Material that has penetrated the power tool can cause damage and lead to an electric shock.
- When working with the machine, always hold it firmly with both hands and provide for a secure stance.**  
The power tool is guided more secure with both hands.
- Do not work materials containing asbestos.**  
Asbestos is considered carcinogenic.

- Take protective measures when dust can develop during working that is harmful to one's health, combustible or explosive.**  
Example: Some dusts are regarded as carcinogenic. Wear a dust mask and work with dust/chip extraction when connectable.
- Always wait until the machine has come to a complete stop before placing it down.**  
The tool insert can jam and lead to loss of control over the power tool.
- Never use the machine with a damaged cable. Do not touch the damaged cable and pull the mains plug when the cable is damaged while working.**  
Damaged cables increase the risk of an electric shock.
- When operating a mixer with wet material avoid splashes up to the motor part.**
- Connect machines that are used in the open via a residual current device (RCD).**

## SPECIFICATIONS

Model	UM16VST		UM12VST	
Voltage (by areas)*	230V ~			
Power input	1500 W*		1100 W*	
Speed change	1	2	1	2
No load speed	150 – 300 min <sup>-1</sup>	300 – 650 min <sup>-1</sup>	150 – 300 min <sup>-1</sup>	300 – 650 min <sup>-1</sup>
Stirrer paddle	160 mm		120 mm	
Weight (without cord)	5.6 kg		5.4 kg	

\*Be sure to check the nameplate on product as it is subject to change by areas.

## STANDARD ACCESSORIES

- Stirrer paddle 160 mm (UM16VST) or 120 mm (UM12VST)..... 1
  - Wrench ..... 2
  - 1 pair of spare carbon brush ..... 1
- Standard accessories are subject to change without notice.

## APPLICATIONS

Mixing pulverised building materials such as mortar, plaster, adhesives, as well as solvent-free paint, varnish and similar substances.

## PRIOR TO OPERATION

- Power source**  
Ensure that the power source to be utilized conforms to the power requirements specified on the product nameplate.
- Power switch**  
Ensure that the power switch is in the OFF position. If the plug is connected to a receptacle while the power switch is in the ON position, the power tool will start operating immediately, inviting serious accident.
- Extension cord**  
When the work area is removed from the power source, use an extension cord of sufficient thickness and rated capacity. The extension cord should be kept as short as practicable.

## 4. Mounting and dismounting of the stirrer paddle (Fig. 2) CAUTION

- To avoid serious accident, ensure the switch is in the OFF position, and the power source is disconnected.
- Screw the stirrer paddle onto the spindle. Hold the spindle in place with wrench and turn the stirrer paddle with another wrench in the clockwise direction (viewed from the front side). Tighten securely.
  - The stirrer paddle is disassembled in reverse order.

## 5. High-speed/Low-speed changeover

Prior to changing speed, ensure that the switch is in the OFF position, and the machine has come to a complete stop.

To change speed, rotate the gear shift dial as indicated by the arrow in Fig. 3. The numeral "1" engraved on the machine body denotes low speed, the numeral "2" denotes high speed.

If it is hard to turn the gear shift dial, turn the spindle slightly in either direction and then turn the gear shift dial again.

## HOW TO USE

### 1. Switch operation (Fig. 4)

- When the trigger is depressed, the tool rotates. When the trigger is released, the tool stops.
- Pulling the trigger and pushing the stopper, it keeps the switched-on condition which is convenient for continuous running. When switching off, the stopper can be disconnected by pulling the trigger again.

### 2. Adjusting the speed

The desired rotation speed can be pre-selected with the speed control dial. (Fig. 5)

---

## MAINTENANCE AND INSPECTION

---

### 1. Storage and cleaning

When a mixer is not in use store it in dry locations the motor part upwards.

When cleaning a mixer avoid entrance of any water or liquid to the motor part.

### 2. Inspecting the mounting screws

Regularly inspect all mounting screws and ensure that they are properly tightened. Should any of the screws be loose, retighten them immediately. Failure to do so could result in serious hazard.

### 3. Maintenance of the motor

The motor unit winding is the very "heart" of the power tool. Exercise due care to ensure the winding does not become damaged and/or wet with oil or water.

### 4. Inspecting the carbon brushes

The motor employs carbon brushes which are consumable parts. Since an excessively worn carbon brush can result in motor trouble, replace the carbon brushes with new ones having the same carbon brush No.. In addition, always keep carbon brushes clean and ensure that they slide freely within the brush holders.

### CAUTION

When replacing the new carbon brushes, always use genuine Hitachi carbon brushes with the number specified in the drawing.

### 5. Replacing carbon brushes

Disassemble the brush caps with a slotted-head screwdriver. The carbon brushes can then be easily removed.

### 6. Service parts list

### CAUTION

Repair, modification and inspection of Hitachi Power Tools must be carried out by a Hitachi Authorized Service Center.

This Parts List will be helpful if presented with the tool to the Hitachi Authorized Service Center when requesting repair or other maintenance.

In the operation and maintenance of power tools, the safety regulations and standards prescribed in each country must be observed.

### MODIFICATION

Hitachi Power Tools are constantly being improved and modified to incorporate the latest technological advancements.

Accordingly, some parts may be changed without prior notice.

---

## GUARANTEE

---

We guarantee Hitachi Power Tools in accordance with statutory/country specific regulation. This guarantee does not cover defects or damage due to misuse, abuse, or normal wear and tear. In case of complaint, please send the Power Tool, undismantled, with the GUARANTEE CERTIFICATE found at the end of this Handling instruction, to a Hitachi Authorized Service Center.

### NOTE

Due to HITACHI's continuing program of research and development, the specifications herein are subject to change without prior notice.

---

---

## IMPORTANT

### Correct connection of the plug

The wires of the mains lead are coloured in accordance with the following code:

Blue:- Neutral

Brown:- Live

As the colours of the wires in the mains lead of this tool may not correspond with the coloured markings identifying the terminals in your plug proceed as follows: The wire coloured blue must be connected to the terminal marked with the letter N or coloured black.

The wire coloured brown must be connected to the terminal marked with the letter L or coloured red.

Neither core must be connected to the earth terminal.

### NOTE

This requirement is provided according to BRITISH STANDARD 2769: 1984.

Therefore, the letter code and colour code may not be applicable to other markets except United Kingdom.

---

---

### Information concerning airborne noise and vibration

The measured values were determined according to EN60745 and declared in accordance with ISO 4871.

Measured A-weighted sound power level: 104 dB (A).

Measured A-weighted sound pressure level: 93 dB (A).

Uncertainty KpA: 3 dB (A).

Wear hearing protection.

Vibration total values (triax vector sum) determined according to EN60745.

No load:

Vibration emission value **ah** = 2.7 m/s<sup>2</sup>

Uncertainty K = 1.5 m/s<sup>2</sup>

---

The declared vibration total value has been measured in accordance with a standard test method and may be used for comparing one tool with another.

It may also be used in a preliminary assessment of exposure.

### WARNING

○ The vibration emission during actual use of the power tool can differ from the declared total value depending on the ways in which the tool is used.

○ Identify safety measures to protect the operator that are based on an estimation of exposure in the actual conditions of use (taking account of all parts of the operating cycle such as the times when the tool is switched off and when it is running idle in addition to the trigger time).

## ALLGEMEINE SICHERHEITSHINWEISE FÜR ELEKTROGERÄTE

### WARNUNG

Lesen Sie sämtliche Sicherheitshinweise und Anweisungen durch. Wenn die Warnungen und Anweisungen nicht befolgt werden, kann es zu Stromschlag, Brand und/oder ernsthaften Verletzungen kommen.

Bitte bewahren Sie alle Warnhinweise und Anweisungen zum späteren Nachschlagen auf.

Der Begriff „Elektrowerkzeug“ bezieht sich in den Warnhinweisen auf Elektrowerkzeuge mit Netz- (schnurgebunden) oder Akkubetrieb (schnurlos).

#### 1) Sicherheit im Arbeitsbereich

- a) Sorgen Sie für einen sauberen und gut ausgeleuchteten Arbeitsbereich.  
Zugestellte oder dunkle Bereiche ziehen Unfälle förmlich an.
- b) Verwenden Sie Elektrowerkzeuge niemals an Orten, an denen Explosionsgefahr besteht – zum Beispiel in der Nähe von leicht entflammaren Flüssigkeiten, Gasen oder Stäuben.  
Bei der Arbeit mit Elektrowerkzeugen kann es zu Funkenbildung kommen, wodurch sich Stäube oder Dämpfe entzünden können.
- c) Sorgen Sie bei der Arbeit mit Elektrowerkzeugen dafür, dass sich keine Zuschauer (insbesondere Kinder) in der Nähe befinden.  
Wenn Sie abgelenkt werden, können Sie die Kontrolle über das Werkzeug verlieren.

#### 2) Elektrische Sicherheit

- a) Elektrowerkzeuge müssen mit passender Stromversorgung betrieben werden.  
Nehmen Sie niemals irgendwelche Änderungen am Anschlussstecker vor.  
Verwenden Sie bei Elektrowerkzeugen mit Schutzkontakt (geerdet) niemals Adapterstecker.  
Stecker im Originalzustand und passende Steckdosen reduzieren das Stromschlagrisiko.
- b) Vermeiden Sie Körperkontakt mit geerdeten Gegenständen wie Rohrleitungen, Heizungen, Herden oder Kühlschränken.  
Bei Körperkontakt mit geerdeten Gegenständen besteht ein erhöhtes Stromschlagrisiko.
- c) Setzen Sie Elektrowerkzeuge niemals Regen oder sonstiger Feuchtigkeit aus.  
Wenn Flüssigkeiten in ein Elektrowerkzeug eindringen, erhöht sich das Stromschlagrisiko.
- d) Verwenden Sie die Anschlusschnur nicht missbräuchlich.  
Tragen Sie das Elektrowerkzeug niemals an der Anschlusschnur, ziehen Sie es nicht damit heran und ziehen Sie den Stecker nicht an der Anschlusschnur aus der Steckdose.  
Halten Sie die Anschlusschnur von Hitzequellen, Öl, scharfen Kanten und beweglichen Teilen fern.  
Beschädigte oder verdrehte Anschlusschnüre erhöhen das Stromschlagrisiko.
- e) Wenn Sie ein Elektrowerkzeug im Freien benutzen, verwenden Sie ein für den Außeneinsatz geeignetes Verlängerungskabel.  
Ein für den Außeneinsatz geeignetes Kabel vermindert das Stromschlagrisiko.
- f) Falls sich der Betrieb des Elektrowerkzeuges in feuchter Umgebung nicht vermeiden lässt, verwenden Sie eine Stromversorgung mit Fehlerstromschutzeinrichtung (Residual Current Device, RCD).  
Durch den Einsatz einer Fehlerstromschutzeinrichtung wird das Risiko eines elektrischen Schlages reduziert.

#### 3) Persönliche Sicherheit

- a) Bleiben Sie wachsam, achten Sie auf das, was Sie tun, und setzen Sie Ihren Verstand ein, wenn Sie mit Elektrowerkzeugen arbeiten.  
Benutzen Sie keine Elektrowerkzeuge, wenn Sie müde sind oder unter Einfluss von Drogen, Alkohol oder Medikamenten stehen.  
Bei der Arbeit mit Elektrowerkzeugen können bereits kurze Phasen der Unaufmerksamkeit zu schweren Verletzungen führen.
  - b) Benutzen Sie eine persönliche Schutzausrüstung. Tragen Sie immer einen Augenschutz.  
Schutzausrüstung wie Staubmaske, rutschsichere Sicherheitsschuhe, Schutzhelm und Gehörschutz senken das Verletzungsrisiko bei angemessenem Einsatz.
  - c) Vermeiden Sie unbeabsichtigten Anlauf. Achten Sie darauf, dass sich der Schalter in der Aus- (Off-) Position befindet, ehe Sie das Gerät mit der Stromversorgung und/oder Batteriestromversorgung verbinden, es aufheben oder herumtragen.  
Das Herumtragen von Elektrowerkzeugen mit dem Finger am Schalter oder das Herstellen der Stromversorgung bei betätigtem Schalter zieht Unfälle regelrecht an.
  - d) Entfernen Sie sämtliche Einstellwerkzeuge (Einstellschlüssel), ehe Sie das Elektrowerkzeug einschalten.  
Ein an einem beweglichen Teil des Elektrowerkzeuges angebrachter Schlüssel kann zu Verletzungen führen.
  - e) Sorgen Sie für einen festen Stand. Achten Sie jederzeit darauf, sicher zu stehen und das Gleichgewicht zu bewahren.  
Dadurch haben Sie das Elektrowerkzeug in unerwarteten Situationen besser im Griff.
  - f) Kleiden Sie sich richtig. Tragen Sie keine lose Kleidung oder Schmuck. Halten Sie Haar, Kleidung und Handschuhe von beweglichen Teilen fern.  
Lose Kleidung, Schmuck oder langes Haar kann von beweglichen Teilen erfasst werden.
  - g) Wenn Anschlüsse für Staubabsaug- und -sammelvorrichtungen vorhanden sind, sorgen Sie dafür, dass diese richtig angeschlossen und eingesetzt werden.  
Durch Entfernen des Staubes können staubbezogene Gefahren vermindert werden.
- #### 4) Einsatz und Pflege von Elektrowerkzeugen
- a) Überansprechen Sie Elektrowerkzeuge nicht. Benutzen Sie das richtige Elektrowerkzeug für Ihren Einsatzzweck.  
Das richtige Elektrowerkzeug erledigt seine Arbeit bei bestimmungsgemäßem Einsatz besser und sicherer.
  - b) Benutzen Sie das Elektrowerkzeug nicht, wenn es sich nicht am Schalter ein- und ausschalten lässt.  
Jedes Elektrowerkzeug, das nicht mit dem Schalter betätigt werden kann, stellt eine Gefahr dar und muss repariert werden.
  - c) Stecken Sie den Stecker der Stromversorgung oder Batteriestromversorgung vom Gerät ab, ehe Sie Einstellarbeiten vornehmen, Zubehörteile tauschen oder das Elektrowerkzeug verstanen.  
Solche präventiven Sicherheitsmaßnahmen verhindern den unbeabsichtigten Anlauf des Elektrowerkzeugs und die damit verbundenen Gefahren.
  - d) Lagern Sie nicht benutzte Elektrowerkzeuge außerhalb der Reichweite von Kindern, lassen Sie nicht zu, dass Personen das Elektrowerkzeug bedienen, die nicht mit dem Werkzeug selbst und/oder diesen Anweisungen vertraut sind.  
Elektrowerkzeuge in ungeschulten Händen sind gefährlich.
  - e) Halten Sie Elektrowerkzeuge in Stand. Prüfen Sie auf Fehlausrichtungen, sicheren Halt und Leichtgängigkeit beweglicher Teile, Beschädigungen von Teilen und auf jegliche andere Zustände, die sich auf den Betrieb des Elektrowerkzeugs auswirken können.

Bei Beschädigungen lassen Sie das Elektrowerkzeug reparieren, ehe Sie es benutzen.

Viele Unfälle mit Elektrowerkzeugen sind auf schlechte Wartung zurückzuführen.

- f) Halten Sie Schneidwerkzeuge scharf und sauber. Richtig gewartete Schneidwerkzeuge mit scharfen Schneidkanten bleiben weniger häufig hängen und sind einfacher zu beherrschen.
  - g) Benutzen Sie Elektrowerkzeuge, Zubehör, Werkzeugspitzen und Ähnliches in Übereinstimmung mit diesen Anweisungen – beachten Sie dabei die jeweiligen Arbeitsbedingungen und die Art und Weise der auszuführenden Arbeiten.  
Der Gebrauch des Elektrowerkzeuges für andere als die vorgesehenen Anwendungen kann zu gefährlichen Situationen führen.
- 5) Service
- a) Lassen Sie Elektrowerkzeuge durch qualifizierte Fachkräfte und unter Einsatz passender, zugelassener Originalteile warten.  
Dies sorgt dafür, dass die Sicherheit des Elektrowerkzeugs nicht beeinträchtigt wird.

## VORSICHT

Von Kindern und gebrechlichen Personen fernhalten.

Werkzeuge sollten bei Nichtgebrauch außerhalb der Reichweite von Kindern und gebrechlichen Personen aufbewahrt werden.

## VORSICHTSMASSNAHMEN WÄHREND BENUTZUNG DER MASCHINE

1. Verwenden Sie das Elektrowerkzeug nicht für explosive Substanzen (z.B. leicht entzündbare Lösungsmittel).  
Elektrowerkzeuge erzeugen Funken, die aufsteigende Dämpfe entzünden können.

## TECHNISCHE DATEN

Modell	UM16VST		UM12VST	
Spannung (je nach Gebiet)*	230V ~			
Leistungsaufnahme	1500 W*		1100 W*	
Geschwindigkeitsstufen	1	2	1	2
Leerlaufdrehzahl	150 – 300 min <sup>-1</sup>	300 – 650 min <sup>-1</sup>	150 – 300 min <sup>-1</sup>	300 – 650 min <sup>-1</sup>
Rührwerk	160 mm		120 mm	
Gewicht (ohne Kabel)	5,6 kg		5,4 kg	

\* Vergessen Sie nicht, die Produktangaben auf dem Typenschild zu überprüfen, da sich diese je nach Verkaufsgebiet ändern.

## STANDARDZUBEHÖR

- (1) Rührwerk 160 mm (UM16VST) oder 120 mm (UM12VST)..... 1
  - (2) Schlüssel ..... 2
  - (3) 1 Paar Ersatzkohlebürsten ..... 1
- Das Standardzubehör kann ohne vorherige Bekanntmachung jederzeit geändert werden.

## ANWENDUNGEN

Mischen von pulverisierten Baumaterialien wie Mörtel, Gips, Klebstoffe sowie lösungsmittelfreier Farbe, Firnis und ähnlichen Substanzen.

## VOR INBETRIEBNAHME

### 1. Netzspannung

Prüfen, daß die zu verwendende Netzspannung der Angabe auf dem Typenschild entspricht.

### 2. Sollte das Elektrowerkzeug in die zu verrührende Substanz fallen, ziehen Sie sofort den Stecker ab und bringen Sie das Elektrowerkzeug für eine Überprüfung zum Kundendienst.

Sind Substanzen in das Elektrowerkzeug eingedrungen, können sie es beschädigen und Sie könnten einen elektrischen Schlag erhalten.

### 3. Halten Sie das Werkzeug während der Arbeit immer mit beiden Händen fest und achten Sie auf einen sicheren Stand.

Das Elektrowerkzeug lässt sich mit beiden Händen sehr viel sicherer führen.

### 4. Bearbeiten Sie keine Substanzen, die Asbest enthalten. Asbest ist krebserzeugend.

### 5. Treffen Sie Schutzmaßnahmen, wenn während der Arbeit Staub auftreten kann, der gesundheitsschädlich, brennbar oder explosiv ist.

Beispiel: Krebserzeugender Staub. Tragen Sie eine Staubmaske und arbeiten Sie mit einer anschließbaren Staub-/Späneabsaugung.

### 6. Bevor Sie das Werkzeug ablegen, warten Sie immer, bis es komplett gestoppt ist.

Der Werkzeugeinsatz kann blockieren, so dass Sie die Kontrolle über das Elektrowerkzeug verlieren.

### 7. Arbeiten Sie nie mit dem Werkzeug, wenn seine Netzleitung beschädigt ist. Wird die Leitung während der Arbeit beschädigt, kommen Sie nicht mit ihr in Kontakt und ziehen Sie den Netzstecker ab.

Sind Leitungen beschädigt, erhöht sich für Sie die Gefahr, einen elektrischen Schlag zu erhalten.

### 8. Wenn Sie mit dem Mixgerät feuchte Zutaten verarbeiten, achten Sie darauf, dass der Motorteil nicht bespritzt wird.

### 9. Schließen Sie Werkzeuge, mit denen Sie im Freien arbeiten, über einen Fehlerstrom-Schutzschalter an.

### 2. Netzschalter

Prüfen, daß der Netzschalter auf "AUS" steht. Wenn der Stecker an das Netz angeschlossen ist, Während der Schalter auf "EIN" steht, beginnt das Werkzeug sofort zu laufen und bedeutet ernsthafte Gefahr.

### 3. Verlängerungskabel

Wenn der Arbeitsbereich nicht in der Nähe des Netzanschlusses liegt, ist ein Verlängerungskabel ausreichenden Querschnitts und ausreichender Nennleistung zu verwenden. Das Verlängerungskabel sollte so kurz wie möglich gehalten werden.

### 4. Anbringen und Abnehmen des Rührwerks (Abb. 2) ACHTUNG

Um folgenschwere Unfälle zu vermeiden, müssen Sie darauf achten, dass der Schalter ausgeschaltet (in OFF-Position) und der Netzstecker abgezogen ist.

- (1) Schrauben Sie das Rührwerk auf die Spindel. Halten Sie dabei die Spindel mit dem Schlüssel fest und drehen Sie das Rührwerk mit einem anderen Schlüssel im Uhrzeigersinn (von vorne gesehen). Ziehen Sie das Rührwerk fest an.

- (2) Das Rührwerk wird in umgekehrter Reihenfolge abgeschraubt.
- 5. Umschalten von hoher Drehzahl auf niedrige Drehzahl**  
Vor der Veränderung der Drehzahl muß man sich überzeugen, daß der Schalter auf "AUS" steht und sich das Werkzeug nicht mehr bewegt.  
Die Gangschaltschiebe drehen. Zum Umschalten wird der Umschaltfesteller eingedrückt und die gewünschte Richtung geschoben, wie in **Abb. 3** durch den Pfeil angegeben ist. Die auf dem Gehäuse eingeprägte Ziffer "1" bedeutet niedrige Drehzahl, die Ziffer "2" bedeutet hohe Drehzahl.  
Wenn sich die Gangschaltscheibe nur schwer drehen läßt, drehen Sie die Spindel ein wenig hin und her und betätigen die Gangschaltscheibe danach erneut.

## VERWENDUNG

### 1. Schalterbetätigung (Abb. 4)

- Wenn der Abzugschalter durchgedrückt wird, dreht sich das Werkzeug. Wenn der Abzugschalter losgelassen wird, hält das Werkzeug an.
- Wenn der Abzugschalter durchgedrückt und der Stopper gedrückt wird, bleibt die Maschine eingeschaltet, was angenehm für kontinuierliche Verwendung ist. Zum Ausschalten kann der Stopper durch erneutes Durchdrücken des Abzugschalters freigegeben werden.

### 2. Einstellen der Geschwindigkeit

Die gewünschte Drehzahl kann mit der Drehzahlskala voreingestellt werden. (**Abb. 5**)

## WARTUNG UND INSPEKTION

### 1. Aufbewahrung und reinigung

Wird ein Mixergerät nicht verwendet, bewahren Sie es mit dem Motorteil nach oben gerichtet an einem trockenen Ort auf.

Achten Sie bei der Reinigung eines Mixergeräts darauf, dass kein Wasser oder keine Flüssigkeit in den Motorteil eindringt.

### 2. Inspektion der Befestigungsschraube

Alle Befestigungsschrauben werden regelmäßig inspiziert und geprüft, daß sie richtig angezogen sind. Wenn sich eine der Schrauben lockert, muß sie sofort wieder angezogen werden. Geschieht das nicht, kann das zu erheblicher Gefahr führen.

### 3. Wartung des Motors

Die Motorwicklung ist das "Herz" des Elektrowerkzeugs. Daher ist besonders sorgfältig darauf zu achten, daß die Wicklung nicht beschädigt und/oder mit Öl oder Wasser benetzt wird.

### 4. Inspektion der Kohlebürsten

Im Motor sind Kohlebürsten verwendet, die Verbrauchsteile sind. Übermäßig abgenutzte Kohlebürsten führen zu Motor, problemen.

Deshalb wird eine Kohlebürste durch eine neue ersetzt, die dieselbe Nummer. Darüber hinaus müssen die Kohlebürsten immer sauber gehalten werden und müssen sich in der Halterung frei bewegen können.

## ACHTUNG

Beim Auswechseln der Kohlebürsten immer neue Hitachi-Kohlebürsten mit der in der Zeichnung festgelegten Nummer verwenden.

### 5. Austausch einer Kohlebürste

Der Bürstendeckel wird mit einem Steckschlüssel abmontiert. Dann kann die Kohlebürste leicht entfernt werden.

### 6. Liste der Wartungsteile

## ACHTUNG

Reparatur, Modifikation und Inspektion von Hitachi-Elektrowerkzeugen müssen durch ein Autorisiertes Hitachi-Wartungszentrum durchgeführt werden.

Diese Teileliste ist hilfreich, wenn sie dem Autorisierten Hitachi-Wartungszentrum zusammen mit dem Werkzeug für Reparatur oder Wartung ausgehändigt wird.

Bei Betrieb und Wartung von Elektrowerkzeugen müssen die Sicherheitsvorschriften und Normen beachtet werden.

## MODIFIKATIONEN

Hitachi-Elektrowerkzeuge werden fortwährend verbessert und modifiziert, um die neuesten technischen Fortschritte einzubauen.

Dementsprechend ist es möglich, daß einige Teile ohne vorherige Benachrichtigung geändert werden.

## GARANTIE

Auf Hitachi-Elektrowerkzeuge gewähren wir eine Garantie unter Zugrundelegung der jeweils geltenden gesetzlichen und landesspezifischen Bedingungen. Dieses Garantie erstreckt sich nicht auf Gehäusedefekte und nicht auf Schäden, die auf Missbrauch, bestimmungswidrigen Einsatz oder normalen Verschleiß zurückzuführen sind. Im Schadensfall senden Sie das nicht zerlegte Elektrowerkzeug zusammen mit dem GARANTIESCHEIN, den Sie am Ende der Bedienungsanleitung finden, an ein von Hitachi autorisiertes Servicecenter.

## HINWEIS

Aufgrund des ständigen Forschungs- und Entwicklungsprogramms von HITACHI sind Änderungen der hierin gemachten technischen Angaben vorbehalten.

## Information über Betriebslärm und Vibration

Die gemessenen Werte wurden entsprechend EN60745 bestimmt und in Übereinstimmung mit ISO 4871 ausgewiesen.

Gemessener A-gewichteter Schallpegel: 104 dB (A)

Gemessener A-gewichteter Schalldruck: 93 dB (A)

Messunsicherheit KpA: 3 dB (A)

Gehörschutz tragen.

Gesamtvibrationswerte (3-Achsen-Vektorsumme), bestimmt gemäß EN60745.

Ohne Last:

Vibrationsemissionswert  $a_h = 2,7 \text{ m/s}^2$

Messunsicherheit K = 1,5  $\text{m/s}^2$

Die angegebenen Gesamtvibrationswerte wurden entsprechend einem standardisierten Testverfahren gemessen und können dazu verwendet werden, Werkzeuge miteinander zu vergleichen.

Außerdem können sie zur vorbereitenden Expositionseinschätzung verwendet werden.

## WARNUNG

- Der Vibrationsemissionswert während der tatsächlichen Benutzung des Elektrowerkzeugs kann von dem deklarierten Gesamtwert abweichen, abhängig davon, wie das Werkzeug verwendet wird.
- Legen Sie Sicherheitsmaßnahmen zum Schutz des Bedieners fest, die auf einer Expositionseinschätzung unter den tatsächlichen Benutzungsbedingungen beruhen (unter Berücksichtigung aller Bereiche des Betriebszyklus, darunter neben der Triggerzeit auch die Zeiten, in denen das Werkzeug ausgeschaltet ist oder im Leerlaufbetrieb läuft).

## AVERTISSEMENTS DE SÉCURITÉ GÉNÉRAUX CONCERNANT LES OUTILS ÉLECTRIQUES

### AVERTISSEMENT

Lire tous les avertissements de sécurité et toutes les instructions.

*Tout manquement à observer ces avertissements et instructions peut engendrer des chocs électriques, des incendies et/ou des blessures graves.*

Conservez tous les avertissements et toutes les instructions pour vous y référer ultérieurement.

*Leterme "outil électrique", utilisé dans les avertissements, se réfère aux outils électriques (câblé) ou aux outils à piles (sans fil).*

#### 1) Sécurité sur l'aire de travail

##### a) Maintenir l'aire de travail propre et bien éclairée.

*Les endroits encombrés ou sombres sont propices aux accidents.*

##### b) Ne pas utiliser d'outils électriques en présence de liquides, gaz ou poussière inflammables, au risque de provoquer une explosion.

*Les outils électriques créent des étincelles susceptibles d'enflammer la poussière ou les vapeurs.*

##### c) Ne pas laisser les enfants et les visiteurs s'approcher de vous lorsque vous utilisez un outil électrique.

*Les distractions peuvent faire perdre le contrôle.*

#### 2) Sécurité électrique

##### a) Les prises de l'outil électrique doivent correspondre à la prise secteur.

*Ne jamais modifier la prise.*

*Ne pas utiliser d'adaptateurs avec les outils électriques mis à la masse.*

*Les prises non modifiées et les prises secteurs correspondantes réduisent les risques de choc électrique.*

##### b) Éviter tout contact avec les surfaces mises à la masse telles que les tuyaux, radiateurs, bandes et réfrigérateurs.

*Le risque de choc électrique est accru en cas de mise à la masse du corps.*

##### c) Ne pas exposer les outils électriques à la pluie ou à des conditions humides.

*Si l'eau pénètre dans l'outil, cela augmente les risques de choc électrique.*

##### d) Ne pas utiliser le cordon à tort. Ne jamais utiliser le cordon pour transporter ou débrancher l'outil électrique.

*Maintenir le cordon loin de la chaleur, de l'huile, des bords pointus ou des pièces mobiles.*

*Les cordons endommagés ou usés augmentent les risques de choc électrique.*

##### e) En cas d'utilisation d'un outil électrique à l'extérieur, utiliser un cordon de rallonge adapté à un usage extérieur.

*L'utilisation d'un cordon adapté à l'usage extérieur réduit les risques de choc électrique.*

##### f) Si vous devez utiliser un outil électrique dans un endroit humide, utilisez une alimentation protégée contre les courants résiduels.

*L'utilisation d'un dispositif de protection contre les courants résiduels réduit le risque de choc électrique.*

#### 3) Sécurité personnelle

##### a) Restez alerte, regarder ce que vous faites et usez de votre bon sens en utilisant un outil électrique.

*Ne pas utiliser d'outil électrique si vous êtes sous l'influence de drogues, d'alcool ou de médicaments.*

*Pendant l'utilisation d'outils électrique, un instant d'inattention peut entraîner des blessures graves.*

##### b) Utiliser un équipement de protection individuelle. Toujours porter des verres de protection.

*L'utilisation d'équipements de protection tels que les masques anti-poussière, les chaussures de sécurité anti-dérapantes, les casques ou les protections auditives dans des conditions appropriées réduisent les risques de blessures.*

##### c) Empêcher les démarrages intempestifs. Veiller à ce que l'interrupteur soit en position d'arrêt avant de brancher à une source d'alimentation et/ou une batterie, de ramasser l'outil au sol ou de le transporter.

*Transporter les outils électriques avec le doigt sur l'interrupteur ou brancher les outils électriques avec l'interrupteur en position de marche peut entraîner des accidents.*

##### d) Retirer toute clé de sécurité ou clé avant de mettre l'outil électrique en marche.

*Laisser une clé ou une clé de sécurité sur une partie mobile de l'outil électrique peut engendrer des blessures.*

##### e) Ne pas trop se pencher. Toujours garder une bonne assise et un bon équilibre pendant le travail.

*Cela permet un meilleur contrôle de l'outil électrique dans des situations imprévisibles.*

##### f) Porter des vêtements adéquats. Ne pas porter de vêtements amples ni de bijoux. Maintenir les cheveux, les vêtements et les gants loin des pièces mobiles.

*Les vêtements amples ou les cheveux longs peuvent se prendre dans les pièces mobiles.*

##### g) En cas de dispositifs destinés au raccordement d'installations d'extraction et de recueil de la poussière, veiller à ce qu'ils soient correctement raccordés et utilisés.

*L'utilisation d'un dispositif de collecte de la poussière peut réduire les dangers associés à la poussière.*

#### 4) Utilisation et entretien d'un outil électrique

##### a) Ne pas forcer sur l'outil électrique. Utiliser l'outil électrique adapté à vos travaux.

*Le bon outil électrique fera le travail mieux et en toute sécurité au régime pour lequel il a été conçu.*

##### b) Ne pas utiliser l'outil électrique si l'interrupteur ne le met pas en position de marche et d'arrêt.

*Tout outil ne pouvant être contrôlé par l'interrupteur est dangereux et doit être réparé.*

##### c) Débrancher la prise et/ou la batterie avant de procéder à des réglages, au remplacement des accessoires ou au stockage des outils électriques.

*Ces mesures préventives de sécurité réduisent les risques de démarrage accidentel de l'outil électrique.*

##### d) Stockez les outils électriques inutilisés hors de la portée des enfants et ne pas laisser des personnes non familiarisées avec l'outil ou ces instructions utiliser l'outil électrique.

*Les outils électriques sont dangereux entre les mains d'utilisateurs non habilités.*

##### e) Entretien des outils électriques. Vérifier l'absence de mauvais alignement ou d'arrêt, d'endommagement de pièces ou toute autre condition susceptible d'affecter l'opération de l'outil.

*Si l'outil est endommagé, le faire réparer avant utilisation. De nombreux accidents sont dus à des outils mal entretenus.*

- f) **Maintenir les outils coupants aiguisés et propres.**  
*Des outils coupants bien entretenus avec des bords aiguisés sont moins susceptibles de se coincer et plus simples à contrôler.*
- g) **Utiliser l'outil électrique, les accessoires et les mèches de l'outil, etc. conformément à ces instructions en tenant compte des conditions d'utilisation et du travail à réaliser.**  
*L'utilisation de l'outil électrique pour des opérations différentes de celles pour lesquelles il a été conçu est dangereuse.*
- 5) **Service**  
 a) **Faire entretenir l'outil électrique par un technicien habilité à l'aide de pièces de rechange identiques exclusivement.**  
*Cela garantira le maintien de la sécurité de l'outil électrique.*

**PRECAUTIONS**

Maintenir les enfants et les personnes infirmes éloignés. Lorsque les outils ne sont pas utilisés, ils doivent être rangés hors de portée des enfants et des personnes infirmes.

**PRÉCAUTIONS À PRENDRE LORSQUE VOUS UTILISEZ LA MACHINE**

- N'utilisez pas cette machine à usiner avec des matériaux explosifs (par ex. des solvants inflammables).**  
 Les machines à usiner produisent des étincelles qui peuvent causer à des vapeurs de s'enflammer.
- Si la machine à usiner venait à tomber par accident dans le produit que vous voulez agiter, débranchez-**

**le immédiatement du courant et faites-le vérifier par un agent de service après-vente.**

Les produits qui rentrent dans la machine à usiner peuvent causer des dommages et un risque de choc électrique.

- Lorsque vous utilisez la machine, tenez-la fermement avec les deux mains et en position stable.**  
 La machine à usiner est plus facile à utiliser avec les deux mains.
- Ne travaillez jamais avec des matériaux contenant de l'amiante.**  
 L'amiante est cancérigène.
- Prenez des précautions adéquates lorsque vous travaillez et que vous créez de la poussière qui peut être toxique ou dangereuse, combustible ou explosive.**  
 Par exemple : Certaines poussières sont cancérigènes. Portez un masque de protection et utilisez un système d'extraction/filtration lorsque possible.
- Attendez toujours jusqu'à ce que la machine se soit complètement arrêtée avant de la poser.**  
 L'insert de la machine peut se bloquer et causer une perte de contrôle de la machine à usiner.
- N'utilisez jamais la machine si le câble est abîmé. Ne touchez pas le câble s'il est abîmé et débranchez immédiatement le cordon d'alimentation si le câble a été abîmé pendant l'utilisation.**  
 Un câble abîmé peut poser un risque d'électrocution.
- Lors de l'utilisation d'un mixeur avec des matières humides, évitez d'éclabousser la partie du moteur.**
- Connectez les machines qui sont utilisées dans un espace ouvert via un RCA (appareil de courant résiduel).**

**SPECIFICATIONS**

Modèle	UM16VST		UM12VST	
Tension (per sone)*	230V ~			
Puissance	1500 W*		1100 W*	
Changement de vitesse	1	2	1	2
Vitesse sans charge	150 – 300 min <sup>-1</sup>	300 – 650 min <sup>-1</sup>	150 – 300 min <sup>-1</sup>	300 – 650 min <sup>-1</sup>
Palette de l'agitateur	160 mm		120 mm	
Poids (sans fil)	5,6 kg		5,4 kg	

\* Assurez-vous de vérifier la plaque signalétique sur le produit qui peut changer suivant les régions.

**ACCESSOIRES STANDARDS**

- (1) Palette de l'agitateur 160mm (UM16VST) ou 120mm (UM12VST) ..... 1  
 (2) Clé ..... 2  
 (3) 1 paire de balais en carbone ..... 1  
 Les accessoires standards sont sujettes à changement sans préavis.

**APPLICATIONS**

Mélange de matériaux de construction pulvérisé comme du mortier, du plâtre, des adhésifs ainsi que des peintures sans solvant, du vernis, etc.

**AVANT LA MISE EN MARCHÉ**

**1. Source de puissance**

S'assurer que la source de puissance à utiliser correspond à la puissance indiquée sur la plaque signalétique du produit.

**2. Interrupteur de puissance**

S'assurer que l'interrupteur de puissance est en position ARRÊT. Si la fiche est branchée alors que l'interrupteur est sur MARCHÉ, l'outil démarre immédiatement et peut provoquer un grave accident.

**3. Fil de rallonge**

Lorsque la zone de travail est éloignée de la source de puissance, utiliser un fil de rallonge d'une épaisseur suffisante et d'une capacité nominale suffisante. Le fil de rallonge doit être aussi court que possible.

**4. Montage et démontage de la palette de l'agitateur (Fig. 2)**

**ATTENTION**

Pour réduire le risque d'accident, vérifiez que l'interrupteur est en position ARRÊT et que l'appareil a été débranché de la prise de courant.

- Vissez la palette de l'agitateur sur la broche. Tenez la broche en place avec la clé et tournez la palette de l'agitateur avec une autre clé dans le sens des aiguilles d'une montre (vue de l'avant). Serrez bien.
- La palette de l'agitateur peut être démontée en faisant le même à l'envers.

## 5. Commutation grande vitesse/faible vitesse

Avant de changer de vitesse, s'assurer que l'interrupteur est en position ARRET et que la machine est complètement arrêtée.

Pour changer de vitesse, faire tourner le bouton de changement de vitesse comme indiqué par la flèche dans la Fig. 3. Le numéro "1" gravé sur le corps de la machine indique la vitesse faible, le numéro "2" indique la grande vitesse.

Si le bouton de changement de vitesse est difficile à tourner, tournez légèrement la broche dans n'importe quel sens et tournez à nouveau le bouton de changement de vitesse.

## UTILISATION

### 1. Fonctionnement de l'interrupteur (Fig. 4)

- Quand on tire sur la gâchette, l'outil se met à tourner. Quand on relâche la gâchette, l'outil s'arrête.
- Si l'on tire sur la gâchette et qu'on appuie sur la butée, l'outil continue à tourner tout seul, ce qui est pratique pour un travail continu. Pour arrêter l'outil, déconnecter la butée en tirant à nouveau sur la gâchette.

### 2. Réglage de la vitesse

La vitesse de rotation souhaitée peut être préréglée avec la molette de commande de la vitesse. (Fig. 5)

## ENTRETIEN ET CONTROLE

### 1. Rangement et nettoyage

Lorsqu'un mixeur n'est pas utilisé, le ranger dans un lieu sec avec la partie du moteur vers le haut.

Lors du nettoyage d'un mixeur, éviter que l'eau ou un liquide ne s'immerge dans la partie du moteur.

### 2. Contrôle du foret de perçage et du taraud

Comme l'utilisation continue d'un foret ou taraud usé réduirait l'efficacité de fonctionnement et provoquerait une surcharge du moteur, remplacer ou aiguiser le foret ou le taraud sans retard lorsque des traces d'usure excessive apparaissent.

### 3. Entretien du moteur

Le bobinage de l'ensemble moteur est le "cœur" même de l'outil électro-portatif. Veiller soigneusement à ce que ce bobinage ne soit pas endommagé et/ou mouillé par de l'huile ou de l'eau.

### 4. Contrôle des balais en carbone

Le moteur utilise des balais en carbone qui sont des pièces qui s'usent. Comme un balai en carbone trop usé peut détériorer le moteur, le remplacer par un nouveau du même No.. En outre, toujours tenir les balais propres et veiller à ce qu'ils coulissent librement dans les supports.

## PRÉCAUTION

Lors du remplacement des balais en carbone neufs, toujours utiliser des balais en carbone HITACHI d'origine ayant le numéro spécifié sur le schéma.

### 5. Remplacement d'un balai en carbone

Démonter le capuchon du balai avec un tournevis à petite tête. Le balai en carbone peut se retirer facilement.

### 6. Liste des pièces de rechange

## ATTENTION

Les réparations, modifications et inspections des outils électriques Hitachi doivent être confiées à un service après-vente Hitachi agréé.

Il sera utile de présenter cette liste de pièces à un centre de service après-vente Hitachi agréé lorsqu'on apporte un outil nécessitant des réparations ou tout autre entretien.

Lors de l'utilisation et de l'entretien d'un outil électrique, respecter les règlements et les normes de sécurité en vigueur dans le pays en question.

## MODIFICATIONS

Les outils électriques Hitachi sont constamment améliorés et modifiés afin d'incorporer les tous derniers progrès technologiques.

En conséquence, il est possible que certaines pièces soient modifiées sans avis préalable.

## GARANTIE

Nous garantissons que l'ensemble des Outils électriques Hitachi sont conformes aux réglementations spécifiques statutaires/nationales. Cette garantie ne couvre pas les défauts ni les dommages inhérents à une mauvaise utilisation, une utilisation abusive ou l'usure et les dommages normaux. En cas de réclamation, veuillez envoyer l'Outil électrique, en l'état, accompagné du CERTIFICAT DE GARANTIE qui se trouve à la fin du Mode d'emploi, dans un service d'entretien autorisé.

## NOTA

Par suite du programme permanent de recherche et de développement HITACHI, ces spécifications peuvent faire l'objet de modifications sans avis préalable.

## Au sujet du bruit et des vibrations

Les valeurs mesurées ont été déterminées en fonction de la norme EN60745 et déclarées conforme à ISO 4871.

Niveau de puissance sonore pondérée A: 104 dB (A)

Niveau de pression acoustique pondérée A: 93 dB (A)

Incertitude KpA: 3 dB (A)

Porter des protections anti-bruit.

Valeurs totales des vibration (somme vectorielle triaxiale) déterminée conformément à EN60745.

Pas de chargement:

Valeur d'émission de vibration  $a_{hv}$  = 2,7 m/s<sup>2</sup>

Incertitude K = 1,5 m/s<sup>2</sup>

La valeur totale des vibrations a été mesurée par une méthode d'essai standard et peut être utilisée pour comparer un outil à un autre.

Elle peut également être utilisée pour une évaluation préliminaire du niveau d'exposition.

## AVERTISSEMENT

- La valeur d'émission de vibration en fonctionnement de l'outil électrique peut être différente de la valeur totale déclarée, en fonction des utilisations de l'outil.
- Identification les mesures de protection de l'utilisateur fondées sur une estimation de l'exposition en conditions d'utilisation (tenant compte de tous les aspects du cycle d'utilisation, tels que les moments où l'outil est mis hors tension ou lorsqu'il tourne à vide en plus des temps de déclenchements).

## AVVERTIMENTI GENERALI DI SICUREZZA SUGLI UTENSILI ELETTRICI

### AVVERTENZA

**Leggere tutti gli avvertimenti di sicurezza e tutte le istruzioni.**

*La mancata osservanza degli avvertimenti e delle istruzioni potrebbe essere causa di scosse elettriche, incendi e/o gravi lesioni.*

**Salvare tutti gli avvertimenti e le istruzioni per riferimenti futuri.**

*Il termine "elettroutensili" riportato nelle avvertenze si riferisce agli elettroutensili azionati con alimentazione di rete (via cavi) o a batterie (senza cavi).*

#### 1) Sicurezza dell'area operativa

##### a) Mantenere l'area operativa pulita e ordinata.

*Aree operative sporche o disordinate possono favorire gli infortuni.*

##### b) Non utilizzare gli elettroutensili in atmosfere esplosive, ad es. in presenza di liquidi, gas o polveri infiammabili. Gli elettroutensili generano delle scintille che potrebbero accendere la polvere o i fumi.

##### c) Tenere lontani bambini e astanti durante l'utilizzo degli elettroutensili.

*Qualsiasi distrazione può essere causa di perdita di controllo.*

#### 2) Sicurezza elettrica

##### a) Le spine degli elettroutensili devono essere idonee alle prese disponibili.

**Non modificare mai le prese.**

**Con gli elettroutensili a massa (messi a terra), non utilizzare alcun adattatore.**

*L'utilizzo di spine intatte e corrispondenti alle prese disponibili ridurrà il rischio di scosse elettriche.*

##### b) Evitare qualsiasi contatto con le superfici a massa o a terra, quali tubi, radiatori, fornelli e frigoriferi.

*In caso di messa a terra o massa del corpo, sussiste un maggior rischio di scosse elettriche.*

##### c) Non esporre gli elettroutensili alla pioggia o all'umidità. La penetrazione di acqua negli elettroutensili aumenterà il rischio di scosse elettriche.

##### d) Non tirare il cavo. Non utilizzarlo per il trasporto, o per tirare o scollegare l'elettroutensile.

*Tenere il cavo lontano da fonti di calore, oli, bordi appuntiti o parti in movimento.*

*Cavi danneggiati o attorcigliati possono aumentare il rischio di scosse elettriche.*

##### e) Durante l'uso degli elettroutensili all'esterno, utilizzare una prolunga idonea per usi esterni.

*L'utilizzo di cavi per esterno riduce il rischio di scosse elettriche.*

##### f) Se è impossibile evitare l'impiego di un utensile elettrico in un luogo umido, utilizzare l'alimentazione protetta da un dispositivo a corrente residua (RCD).

*L'uso di un RCD riduce il rischio di scosse elettriche.*

#### 3) Sicurezza personale

##### a) Durante l'uso degli elettroutensili, state all'erta, verificate ciò che state eseguendo e adottate sempre il buon senso.

**Non utilizzate gli elettroutensili qualora siate stanchi, sotto l'influenza di farmaci, alcol o cure mediche.**

*Anche un attimo di disattenzione durante l'uso degli elettroutensili potrebbe essere causa di gravi lesioni personali.*

##### b) Indossate l'attrezzatura di protezione personale. Indossate sempre le protezioni oculari.

*L'attrezzatura protettiva, quali maschera facciale, calzature antiscivolo, caschi o protezioni oculari ridurrà il rischio di lesioni personali.*

##### c) Impedite le accensioni involontarie. Prima del collegamento a una sorgente di alimentazione e/o pacco batteria e prima di raccogliere o trasportare l'utensile, verificate che l'interruttore sia posizionato su OFF.

*Il trasporto degli elettroutensili tenendo le dita sull'interruttore o l'attivazione elettrica degli utensile che hanno l'interruttore su ON, implica il rischio di incidenti.*

##### d) Prima di attivare l'elettroutensile, rimuovete qualsiasi chiave di regolazione.

*Lasciando la chiave in un componente in rotazione dell'elettroutensile, sussiste il rischio di lesioni personali.*

##### e) Mantenersi in equilibrio. Mantenersi sempre su due piedi, in equilibrio stabile.

*Ciò consente di controllare al meglio l'elettroutensile in caso di situazioni impreviste.*

##### f) Vestirsi in modo adeguato. Non indossare abiti larghi o gioielli. Tenere i capelli, gli abiti e i guanti lontano dalle parti in movimento.

*Abiti allentati, gioielli e capelli lunghi potrebbero impigliarsi nelle parti in movimento.*

##### g) In caso di dispositivi provvisti di collegamento ad apparecchiature di rimozione e raccolta polveri, verificare che queste siano collegate e utilizzate in modo adeguato.

*L'utilizzo della raccolta della polvere può ridurre i rischi connessi alle polveri.*

#### 4) Utilizzo e manutenzione degli elettroutensili

##### a) Non utilizzare elettroutensili non idonei. Utilizzare l'elettroutensile idoneo alla propria applicazione.

*Utilizzando l'elettroutensile corretto, si garantirà un'esecuzione migliore e più sicura del lavoro, alla velocità di progetto.*

##### b) Non utilizzare l'elettroutensile qualora non sia possibile accenderlo/spegnarlo tramite l'interruttore.

*È pericoloso utilizzare elettroutensili che non possano essere azionati dall'interruttore. Provvedere alla relativa riparazione.*

##### c) Prima di effettuare qualsiasi regolazione, sostituire gli accessori o depositare gli elettroutensili, scollegare la spina dalla presa elettrica e/o il pacco batteria dall'utensile elettrico.

*Queste misure di sicurezza preventive riducono il rischio di avvio involontario dell'elettroutensile.*

##### d) Depositare gli elettroutensili non utilizzati lontano dalla portata dei bambini ed evitare che persone non esperte di elettroutensili o non a conoscenza di quanto riportato sulle presenti istruzioni azionino l'elettroutensile.

*È pericoloso consentire che utenti non esperti utilizzino gli elettroutensili.*

##### e) Manutenzione degli elettroutensili. Verificare che non vi siano componenti in movimento disallineati o bloccati, componenti rotti o altre condizioni che potrebbero influenzare negativamente il funzionamento dell'elettroutensile.

*In caso di guasti, provvedere alla riparazione dell'elettroutensile prima di riutilizzarlo.*

*Molti incidenti sono causati da una scarsa manutenzione.*

- f) **Mantenere gli strumenti di taglio affilati e puliti.**  
*Gli strumenti di taglio in condizioni di manutenzione adeguata, con bordi affilati, sono meno soggetti al bloccaggio e sono più facilmente controllabili.*
- g) **Utilizzare l'elettrotensile, gli accessori, le barrette, ecc. in conformità a quanto riportato nelle presenti istruzioni, tenendo in debita considerazione le condizioni operative e il tipo di lavoro da eseguire.**  
*L'uso dell'utensile elettrico per operazioni diverse da quelle previste potrebbe causare una situazione pericolosa.*
- 5) **Assistenza**  
 a) **Affidate le riparazioni dell'elettrotensile a persone qualificate che utilizzino solamente parti di ricambio identiche.**  
*Ciò garantirà il mantenimento della sicurezza dell'elettrotensile.*

**PRECAUZIONI**

Tenere lontano dalla portata di bambini e invalidi.

Quando non utilizzati, gli strumenti dovranno essere deposti lontano dalla portata di bambini e invalidi.

**PRECAUZIONI PER L'USO DELLA MACCHINA**

1. **Non utilizzare gli elettrotensili in atmosfere esplosive (ad es. in presenza di solventi infiammabili).**  
 Gli elettrotensili generano delle scintille che potrebbero creare vapori.

2. **Qualora l'elettrotensile dovesse cadere nel materiale da mescolare, scollegare immediatamente la spina e far controllare l'elettrotensile dal servizio di assistenza post-vendita.**

Il materiale penetrato all'interno dell'elettrotensile potrebbe causare danni e scosse elettriche.

3. **Durante l'utilizzo della macchina, tenerla saldamente con entrambe le mani e osservare una distanza di sicurezza.**

L'elettrotensile viene guidato in modo più sicuro con entrambe le mani.

4. **Non lavorare materiali contenenti amianto.**

L'amianto è considerato cancerogeno.

5. **Adottare le misure di protezione in caso di formazione di polvere durante il lavoro, in quanto dannosa alla salute, combustibile o esplosiva.**

Esempio: Alcune polveri sono considerate cancerogene. Indossare una maschera protettiva e lavorare con un dispositivo per la rimozione di polvere/trucioli se collegabile.

6. **Attendere sempre che la macchina si sia arrestata del tutto prima di riparla.**

L'inserto dell'elettrotensile potrebbe incepparsi e causare la perdita del controllo dell'elettrotensile.

7. **Non usare la macchina con un cavo danneggiato. Non toccare il cavo danneggiato durante il funzionamento.**

I cavi danneggiati aumentano il rischio di scosse elettriche.

8. **Quando si aziona un mixer con materiale umido, evitare spruzzi nella parte del motore.**

9. **Collegare le macchine utilizzate all'aperto tramite interruttore differenziale (RCD).**

**CARATTERISTICHE**

Modello	UM16VST		UM12VST	
Voltaggio (per zona)*	230V ~			
Potenza assorbita	1500 W*		1100 W*	
Cambio di velocità	1	2	1	2
Velocità senza carico	150 – 300 min <sup>-1</sup>	300 – 650 min <sup>-1</sup>	150 – 300 min <sup>-1</sup>	300 – 650 min <sup>-1</sup>
Agitatore a paletta	160 mm		120 mm	
Peso (senza il cavo)	5,6 kg		5,4 kg	

\*Accertatevi di aver controllato bene la piastrina perchè essa varia de zona a zona.

**ACCESSORI STANDARD**

- (1) Agitatore a paletta da 160 mm (UM16VST) o da 120 mm(UM12VST) ..... 1  
 (2) Chiave ..... 2  
 (3) 1 paio di spazzole di carbone ..... 1  
 Gli accessori standard possono essere cambiati senza preavviso.

**IMPIEGHI**

Per mescolare materiali da costruzione polverizzati quali malta, gesso, adesivi nonché pitture prive di solventi, vernici e sostanze simili.

**PRIMA DELL'USO**

**1. Alimentazione**

Assicurarsi che la rete di alimentazione che si vuole usare sia compatibile con le caratteristiche relative all'alimentazione di corrente specificate nella piastrina dell'apparecchio.

**2. Interruttore di dorrente**

Mettere l'interruttore in posizione OFF. Se la spina è infilata in una presa mentre l'interruttore è acceso, l'utinsile elettrico si mette immediatamente in moto, facilitando il verificarsi di incidenti gravi.

**3. Prolunga del cavo**

Quando l'ambiente di lavoro è lontano da una presa di corrente, usare una prolunga del cavo di sufficiente spessore e di prestazione adeguata. La prolunga deve essere più corta possibile.

**4. Montaggio e smontaggio dell'agitatore a paletta (Fig. 2) ATTENZIONE**

Per evitare incidenti gravi, assicurarsi che l'interruttore si spento (posizione OFF) e che la fonte di alimentazione sia scollegata.

- (1) Avvitare l'agitatore a paletta sul mandrino. Tenere il mandrino in posizione con la chiave e ruotare l'agitatore a paletta con un'altra chiave in senso orario (vista dal lato anteriore). Serrare con forza.  
 (2) L'agitatore a paletta si smonta nell'ordine inverso.

## 5. Cambio di velocità

Prima di cambiare velocità, assicurarsi che l'interruttore sia spento (posizione OFF) e che la macchina si sia arrestata del tutto.

Per cambiare velocità, ruotare la manopola di regolazione della velocità come indicato dalla freccia nella Fig. 3. Il numero "1" inciso sul corpo della macchina indica la velocità bassa ed il numero "2" indica la velocità alta.

Qualora risulti difficile ruotare la regolazione di velocità, ruotare leggermente il mandrino in entrambe le direzioni, quindi ruotare ancora la regolazione di velocità.

## MODO DI IMPIEGO

### 1. Uso dell'interruttore (Fig. 4)

- Quando il grilletto è premuto, l'utensile ruota. Quando il grilletto viene rilasciato, l'utensile si ferma.
- Se si preme il grilletto e si spinge il fermo, si può mantenere la condizione attivata, comodo per il funzionamento continuo. Per spegnere, il fermo può essere sbloccata premendo di nuovo il grilletto.

### 2. Regolazione della velocità

La velocità di rotazione desiderata può essere imposta con il comando di velocità. (Fig. 5)

## MANUTENZIONE E CONTROLLI

### 1. Conservazione e pulizia

Quando il mixer non è in uso, conservarlo in luoghi asciutti con la parte del motore rivolta verso l'alto. Quando si pulisce il mixer, evitare la penetrazione di acqua o liquido nella parte del motore.

### 2. Controllo delle punte perforanti e dei maschi

Poiché l'uso continuativo di una punta perforante o di un maschio logorati può diminuire la capacità di funzionamento e provocare eventuali sovraccarichi al motore, sostituire o affilare la punta perforante od il maschio, senza indugio, quando si nota una eccessiva usura.

### 3. Manutenzione del motore

L'avvolgimento del motore è il vero e proprio "cuore" dell'utensili elettrici. Fare attenzione a non danneggiare l'avvolgimento e/o a non bagnarlo con olio o acqua.

### 4. Controllo delle spazzole di carbone

Il motore impiega spazzole di carbone che sono materiali di consumo. Poiché una spazzola di carbone eccessivamente usurata può creare fastidi al motore, sostituire la spazzola con una dello stesso numero. Tenere inoltre sempre pulite le spazzole di carbone e fare in modo che esse scorrano liberamente nell'interno del portaspazzola.

## ATTENZIONE

Quando si sostituiscono nuove spazzole di carbone, usare sempre spazzole di carbone Hitachi autentiche con il numero specificato nel diagramma.

### 5. Sostituzione di una spazzola di carbone

Togliere la capsula della spazzola con un cacciavite a taglio. La spazzola può così essere agevolmente rimossa.

### 6. Lista dei pezzi di ricambio

## ATTENZIONE

Riparazioni, modifiche e ispezioni di utensili elettrici Hitachi devono essere eseguite da un centro assistenza autorizzato Hitachi.

Questa lista dei pezzi torna utile se viene presentata con l'utensile al centro assistenza autorizzato Hitachi quando si richiedono riparazioni o altri interventi di manutenzione.

Nell'uso e nella manutenzione degli utensili elettrici devono essere osservate le normative di sicurezza e i criteri prescritti in ciascun paese.

## MODIFICHE

Gli utensili elettrici Hitachi vengono continuamente migliorati e modificati per includere le più recenti innovazioni tecnologiche.

Di conseguenza, alcuni pezzi possono essere modificati senza preavviso.

## GARANZIA

Garantiamo gli Utensili Elettrici Hitachi in conformità alle specifiche normative imposte dalla legge e dai paesi. Questa garanzia non copre difetti o danni dovuti a uso errone, abuso o normale usura. In caso di lamentele, si prega di inviare l'Utensile Elettrico, non smontato, insieme al CERTIFICATO DI GARANZIA che si trova al termine di queste Istruzioni per l'uso, ad un Centro di Assistenza Autorizzato Hitachi.

## NOTA

A causa del continuo programma di ricerca e sviluppo della HITACHI, le caratteristiche riportate in questo foglio sono soggette a cambiamenti senza preventiva comunicazione.

## Informazioni riguardanti i rumori trasmessi dall'aria e le vibrazioni

I valori misurati sono stati determinati in conformità a EN60745 e descritti in conformità alla normativa ISO 4871.

Livello misurato di potenza sonora pesato A: 104 dB (A)

Livello misurato di pressione sonora pesato A: 93 dB (A)

KpA incertezza: 3 dB (A)

Indossare i dispositivi di protezione acustica.

Valori totali di vibrazione (somma vettori triass.) determinati secondo la norma EN60745.

Nessun carico:

Valore di emissione vibrazioni  $a_h = 2,7 \text{ m/s}^2$

Incertezza  $K = 1,5 \text{ m/s}^2$

Il valore totale di emissione vibrazioni dichiarato è stato misurato in base al metodo di test standard e può essere utilizzato per confrontare un utensile con un altro.

Può essere inoltre utilizzato per la stima preliminare dell'esposizione.

## AVVERTENZA

- Il valore di emissione vibrazioni durante l'uso effettivo dell'utensile può essere diverso dal valore totale dichiarato in base alle modalità di utilizzo dell'utensile stesso.
- Identificare le misure di sicurezza per la protezione dell'operatore basate su stima dell'esposizione nelle effettive condizioni di utilizzo (prendendo in considerazione tutte le parti del ciclo di funzionamento come i tempi in cui l'utensile resta spento e quando funziona senza essere utilizzato in aggiunta al tempo di avvio).

## ALGEMENE VEILIGHEIDSWAARSCHUWINGEN VOOR ELEKTRISCH GEREEDSCHAP

### ⚠️ WAARSCHUWING

Lees alle waarschuwingen en instructies aandachtig door.

Nalating om de waarschuwingen en instructies op te volgen kan in een elektrische schok, brand en/of ernstig letsel resulteren.

Bewaar alle waarschuwingen en aanwijzingen voor eventuele naslag in de toekomst.

De term "elektrisch gereedschap" heeft zowel betrekking op elektrisch gereedschap dat via de netvoeding van stroom wordt voorzien als gereedschap dat via een accu (snoerloos) van stroom wordt voorzien.

#### 1) Veiligheid van de werkplek

##### a) Zorg voor een schone en goed verlichte werkplek.

Een rommelige of donkere werkplek verhoogt de kans op ongelukken.

##### b) Gebruik het elektrisch gereedschap niet in een omgeving met ontplofbare vloeistoffen, gassen of stof.

Elektrisch gereedschap kan vonken afgeven. Deze vonkjes kunnen stofdeeltjes of gassen doen ontbranden.

##### c) Houd kinderen en andere toeschouwers tijdens het gebruik van elektrische gereedschap uit de buurt.

Afleidingen kunnen gevaarlijk zijn.

#### 2) Elektrische veiligheid

##### a) De stekker op het elektrische gereedschap moet geschikt zijn voor aansluiting op de wandcontactdoos.

De stekker mag op geen enkele manier gemodificeerd worden. Gebruik geen verloopstekker met geaard elektrisch gereedschap.

Deugdelijke stekkers en geschikte wandcontactdozen verminderen het risico op een elektrische schok.

##### b) Vermijd lichamen contact met geaarde oppervlakken zoals leidingen, radiatoren, fornuizen en koelkasten.

Wanneer uw lichaam in contact staat met geaarde oppervlakken loopt u een groter risico op een elektrische schok.

##### c) Stel het elektrisch gereedschap niet bloot aan regen of vochtige omstandigheden.

Het risico op een elektrische schok wordt vergroot wanneer er water in het elektrisch gereedschap terechtkomt.

##### d) Behandel het snoer voorzichtig. Draag het gereedschap nooit door dit bij het snoer vast te houden. Trek niet aan het snoer wanneer u de stekker uit het stopcontact wilt halen.

Houd het snoer uit de buurt van warmtebronnen, olie, scherpe randen of bewegende onderdelen.

Een beschadigd of verward snoer verhoogt het risico op een elektrische schok.

##### e) Gebruik buitenshuis een verlengsnoer dat specifiek geschikt is voor het gebruik buiten.

Het gebruik van een snoer dat specifiek geschikt is voor gebruik buitenshuis vermindert het risico op een elektrische schok.

##### f) Als het elektrisch gereedschap in een vochtige omgeving gebruikt moet worden, dient een voeding met RCD (reststroom-apparaat) beveiliging te worden gebruikt.

Gebruik van een RCD vermindert de kans op een elektrische schok.

#### 3) Persoonlijke veiligheid

##### a) Blijf waakzaam, let voortdurend op uw werk en gebruik uw gezond verstand wanneer u elektrisch gereedschap gebruikt.

Gebruik geen elektrisch gereedschap wanneer u moe bent of onder invloed van drugs, alcohol of medicijnen.

Eén moment van onoplettendheid kan in ernstig lichamenlijk letsel resulteren.

##### b) Gebruik persoonlijke beschermingsmiddelen. Draag altijd oogbescherming.

Beschermingsmiddelen zoals stofmaskers, niet-glijdende veiligheidsschoenen, een helm of oorbescherming vermindert het risico op lichamenlijk letsel.

##### c) Voorkom dat het gereedschap per ongeluk kan starten. Controleer of de schakelaar in de uit-stand staat voordat u de voeding en/of de accu aansluit, het gereedschap oppakt of gaat dragen.

Zorg ervoor dat u tijdens het verplaatsen van het elektrisch gereedschap uw vingers uit de buurt van de schakelaar houdt en sluit de stroombron niet aan terwijl de schakelaar op aan staat om ongelukken te vermijden.

##### d) Verwijder sleutels en moersleutels uit het gereedschap voordat u het elektrisch gereedschap aanzet.

Een (moer-)sleutel die op een bewegend onderdeel van het elektrisch gereedschap bevestigd is kan in lichamenlijk letsel resulteren.

##### e) Reik niet te ver. Zorg ervoor dat u te allen tijde stevig staat en uw evenwicht behoudt.

Op deze manier heeft u tijdens een onverwachte situatie meer controle over het elektrisch gereedschap.

##### f) Draag geen loszittende kleding of sieraden. Houd uw haar, kleding en handschoenen uit de buurt van bewegende onderdelen.

Loszittende kleding, sieraden en lang haar kunnen in de bewegende onderdelen verstrikt raken.

##### g) Indien het elektrisch gereedschap van een aansluiting voor stofafzuiging is voorzien dan dient u ervoor te zorgen dat de stofafzuiging aangesloten en op de juiste manier gebruikt wordt.

Het gebruik van stofafzuiging vermindert eventuele stofgerelateerde risico's.

#### 4) Bediening en onderhoud van elektrisch gereedschap

##### a) Het elektrisch gereedschap mag niet geforceerd worden. Gebruik het juiste gereedschap voor het karwei.

U kunt de klus beter en veiliger uitvoeren wanneer u het juiste elektrische gereedschap gebruikt.

##### b) Gebruik het elektrisch gereedschap niet als de schakelaar niet goed werkt.

Elektrisch gereedschap dat niet via de schakelaar bediend kan worden is gevaarlijk en moet onmiddellijk gerepareerd worden.

##### c) Haal de stekker uit het stopcontact voordat u de voeding en/of de accu van het elektrisch gereedschap losmaakt, afstellingen verricht, accessoires verwisselt of voordat u het elektrisch gereedschap opbergt.

Dergelijke preventieve veiligheidsmaatregelen verminderen het risico dat het elektrisch gereedschap per ongeluk opstart.

##### d) Berg elektrische gereedschap buiten het bereik van kinderen op en sta niet toe dat personen die niet bekend zijn met het juiste gebruik van het gereedschap of deze voorschriften dit elektrisch gereedschap gebruiken.

Elektrisch gereedschap is gevaarlijk in onbevoegde handen.

##### e) Het elektrisch gereedschap moet regelmatig onderhouden worden. Controleer het gereedschap op een foutieve uitlijning, vastgelopen of defecte bewegende onderdelen en andere problemen die van invloed zijn op de juiste werking van het gereedschap. Indien het gereedschap defect of beschadigd is moet het gerepareerd worden voordat u het gereedschap opnieuw gebruikt.

Slecht onderhouden elektrisch gereedschap is verantwoordelijk voor een groot aantal doe-het-zelf ongelukken.

##### f) Houd snijwerktuigen scherp en schoon.

Goed onderhouden snijwerktuigen met scherpe snijranden lopen minder snel vast en zijn gemakkelijker in het gebruik.

- g) Elektrisch gereedschap, toebehoren, bits enz. moeten in overeenstemming met deze instructies worden gebruikt waarbij de werkomstandigheden en het werk in overweging moeten worden genomen.  
*Gebruik van het elektrisch gereedschap voor andere doeleinden dan waarvoor het is bedoeld, kan resulteren in een gevaarlijke situatie.*
- 5) Onderhoudsbeurt
- a) Het gereedschap mag uitsluitend door bevoegd onderhoudspersoneel worden onderhouden die authentieke onderdelen gebruikt.  
*Hierdoor kunt u erop aan dat de veiligheid van het elektrisch gereedschap behouden blijft.*

#### VOORZORGMATREGELEN

Houd kinderen en kwetsbare personen op een afstand.  
 Het gereedschap moet na gebruik buiten het bereik van kinderen en andere kwetsbare personen worden opgeborgen.

#### WAARSCHUWINGEN BIJ HET GEBRUIK VAN DE MACHINE

1. Gebruik het gereedschap niet voor explosieve materialen (bijvoorbeeld licht ontbrandbare vloeistoffen).  
 Elektrisch gereedschap veroorzaakt vonken waardoor dampen kunnen ontbranden.
2. Mocht het gereedschap in het te roeren materiaal vallen, moet u direct de stekker uit het stopcontact trekken en het gereedschap door een onderhoudsmonteur laten controleren.

#### TECHNISCHE GEGEVENS

Model	UM16VST		UM12VST	
Voltage (verschillende van gebied tot gebied)*	230V ~			
Opgenomen vermogen	1500 W*		1100 W*	
Snelheden	1	2	1	2
Toerental onbelast	150 – 300 min <sup>-1</sup>	300 – 650 min <sup>-1</sup>	150 – 300 min <sup>-1</sup>	300 – 650 min <sup>-1</sup>
Roerder	160 mm		120 mm	
Gewicht (zonder Kabel)	5,6 kg		5,4 kg	

\*Kontroleer het naamplaatje op het apparaat, daar het apparaat afhankelijk van het gebied waar het verkocht wordt gewijzigd kan worden.

#### STANDARD TOEBEHOREN

- (1) Roerstaaf 160 mm (UM16VST) of 120 mm (UM12VST) ..... 1
  - (2) Moersleutels ..... 2
  - (3) 1 paar extra koolborstels ..... 1
- De standaard toebehoren kunnen zonder aankondiging op ieder moment worden veranderd.

#### TOEPASSINGSGBIEDEN

Mengen van verpulverde bouwmaterialen zoals metselspecie, gips, lijm, evenals oplossingsvrije verf, vernis en gelijksoortige materialen.

#### VOOR BEGIN VAN HET WERK

1. **Netspanning**  
 Controleren of de netspanning overeenkomt met de opgave op het naamplaatje.

Materiaal dat in het gereedschap is gedrongen, kan schade en elektrische schokken veroorzaken.

3. **Houd de machine tijdens het gebruik altijd stevig vast met beide handen en zorg voor een veilige houding.**  
 Het gereedschap is beter te sturen met twee handen.
4. **Werk niet met materiaal dat asbest bevat.**  
 Asbest wordt als kankerverwekkend beschouwd.
5. **Neem beschermende maatregelen als tijdens het werk stof kan ontstaan dat gevaarlijk voor de gezondheid is, kan ontbranden of kan ontploffen.**  
 Voorbeeld: Sommig stof wordt als kankerverwekkend beschouwd. Draag een stofmasker en werk met een stofafzuiger als deze kan worden aangesloten.
6. **Wacht altijd tot de machine volledig tot stilstand is gekomen voordat u hem neerzet.**  
 Het ingestoken gereedschap kan vastlopen waardoor u het beheer over de machine kunt kwijtraken.
7. **Gebruik de machine nooit als het snoer is beschadigd. Raak het beschadigde snoer niet aan en trek de stekker uit het stopcontact als het snoer tijdens het werk beschadigt.**  
 Beschadigde snoeren verhogen de kans op elektrische schokken.
8. **Bij het gebruiken van nat materiaal in een mixer moet u voorkomen dat dit tot het motorddeel opspat.**
9. **Sluit machines die in de buitenlucht worden gebruikt via een aardlekschakelaar aan (RCD, Residual Current Device).**

#### 2. Netschakelaar

Controleren of de entschakelaar op "UIT" staat. Wanneer de stekker op het net aangesloten is, terwijl de schakelaar op "AAN" staat, begint het gereedschap onmiddellijk te draaien, hetwelk ernstig gevaar betekent.

#### 3. Verlengsnoer

Wanneer het werkterrein niet in de buurt van een stopcontact ligt, dan moet men gebruik maken van een verlengsnoer, dat voldoende dwarsprofiel en voldoende nominaal vermogen heeft. Het verlengsnoer moet zo kort mogelijk gehouden worden.

#### 4. De roerstaaf plaatsen en verwijderen (Afb. 2) LET OP

Controleer om ernstige ongelukken te voorkomen of de schakelaar in de UIT-stand staat en de stekker niet in het stopcontact zit.

- (1) Schroef de roerstaaf op de boorkop. Houd de boorkop in positie met de moersleutel en draai de roerstaaf met een andere moersleutel met de klok mee (gezien vanaf de voorkant). Goed aandraaien.
- (2) De demontage vindt in de omgekeerde volgorde plaats.

## 5. Omschakelen van een hoog toerental naar een laag toerental

Voor het veranderen van toerental moet men zich ervan overtuigen dat de schakelaar op UIT staat en de machine zich niet meer beweegt.

Voor het veranderen van toerental draait u de toerentalkiezer in de gewenste richting, zoals aangeduid wordt in **Afb. 3** d.m.v. de pijl. Het op de kast ingeslagen d.m.v. de pijl. Het op de kast ingeslagen cijfer "1" betekent laag toerental, het cijfer "2" betekent een hoog toerental.

Indien het moeilijk is om de toerentalkiezer te draaien, draai de as dan eerst enigszins naar rechts of links en probeer de toerentalkiezer vervolgens opnieuw te draaien.

## GEBRUIK

### 1. Bediening van de schakelaar (Afb. 4)

- Wanneer u de trekker indrukt, gaat het gereedschap draaien.

Wanneer u de trekker loslaat, stopt het gereedschap.

- Als u de trekker indrukt en vervolgens de vergrendeling gebruikt, zal de boormachine met het ingestelde toerental blijven draaien. Druk de trekker nog eens een beetje in om de vergrendeling op te heffen en de boormachine uit te kunnen schakelen.

### 2. De snelheid instellen

U kunt van tevoren het gewenste toerental instellen met de toerentalregeling. (**Afb. 5**)

## ONDERHOUD EN INSPECTIE

### 1. Opbergen en reinigen

Bewaar de mixer op een droge plaats met de motordelen omhoog.

Vermijd bij het reinigen van de mixer dat water of andere vloeistoffen bij de motordelen komen.

### 2. Inspectie van de boor en schroefdraadsnijder

Aangezien het verder gebruiken van een versleten boor of schroefdraadsnijder het bedrijfsvermogen vermindert en eventueel een overbelasting van de motor kan veroorzaken, moet de boor of schroefdraadsnijder meteen vervangen of geslepen worden, wanneer een bovenmatige slijtage wordt waargenomen, wanneer een bovenmatige slijtage wordt vastgesteld.

### 3. Onderhoud van de motor

De motorvorkingeling is het "hart" van het elektrische gereedschap. Er moet daarom bijzonder zorgvuldig op gelet worden, dat de wikkeling niet beschadigd en/of met olie of water bevochtigd wordt.

### 4. Inspectie van de koolborstels

Bij de motor zijn koolborstels gebruikt, die onderhevig zijn aan slijtage. Buitengewoon versleten koolborstels leiden tot problemen bij de motor. Dientengevolge dienen de koolborstels vervangen te worden met borstels die hetzelfde nummer. Bovendien moeten de koolborstels altijd schoon zijn en zich in vrij de borstelhouders bewegen kunnen.

## LET OP

Voor het vervangen van de koolborstels moet u altijd originele Hitachi koolborstels nummer zoals in de afbeelding aangegeven gebruiken.

### 5. Het wisselen van de koolborstel

Men demonteert de borsteldekkel met een steeksleutel. Men kan de koolborstel dan gemakkelijk verwijderen.

### 6. Lijst vervangingsonderdelen

## LET OP

Reparatie, modificatie en inspectie van Hitachi elektrisch gereedschap dient te worden uitgevoerd door een erkend Hitachi Service-centrum.

Deze Onderdelenlijst komt van pas wanneer u deze samen met het gereedschap aanbiedt bij het erkende Hitachi Service-centrum wanneer u om reparatie of ander onderhoud verzoekt.

Bij gebruik en onderhoud van elektrisch gereedschap dienen de in het land waar u zich bevindt geldende veiligheidsregelgeving en veiligheidsstandaarden strikt te worden opgevolgd.

## MODIFICATIES

Hitachi elektrisch gereedschap wordt voortdurend verbeterd en gewijzigd teneinde gebruik te kunnen maken van de nieuwste technische ontwikkelingen.

Daarom is mogelijk dat sommige onderdelen zonder voorafgaande kennisgeving gewijzigd worden.

## GARANTIE

De garantie op het elektrisch gereedschap van Hitachi is in overeenstemming met de wettelijke/landspecifieke richtlijnen. Deze garantie dekt geen defecten of schade als gevolg van foutief gebruik, misbruik of normale slijtage. In geval van klachten verzoeken wij u het elektrisch gereedschap samen met het GARANTIECERTIFICAAT dat u achterin deze handleiding aantreft naar een erkend servicecentrum van Hitachi te sturen. Indien door de gebruiker de machine wordt gedemonteerd vervalt de aanspraak op garantie.

## AANTEKENING

Op grond van het voortdurende research-en ontwikkelingsprogramma van HITACHI zijn veranderingen van de hierin genoemde technische opgaven voorbehouden.

## Informatie betreffende luchtgeluid en trillingen

De gemeten waarden zijn verkregen overeenkomstig EN60745 en voldoen aan de eisen van ISO 4871.

Gemeten A-gewogen geluidsniveau: 104 dB (A)

Gemeten A-gewogen geluidsdrukkniveau: 93 dB (A)

Onzekerheid KpA: 3 dB (A)

Draag gehoorbescherming.

Totale trillingswaarden (triax vector som) bepaald overeenkomstig EN60745.

Geen belasting:

Trillingsemisiewaarde  $a_h = 2,7 \text{ m/s}^2$

Onzekerheid K = 1,5  $\text{m/s}^2$

De totale bepaalde trillingswaarde is gemeten in overeenstemming met een standaardtestmethode en is bruikbaar om meerdere gereedschappen met elkaar te vergelijken.

U kunt dit ook als beoordeling vooraf aan de blootstelling gebruiken.

## WAARSCHUWING

- De trillingsemisiewaarde tijdens het feitelijke gebruik van het elektrisch gereedschap kan afwijken van de opgegeven totale waarde afhankelijk van de manieren waarop het gereedschap wordt gebruikt.

- Neem kennis van de veiligheidsmaatregelen voor de bescherming van de gebruiker die gebaseerd zijn op een schatting van blootstelling onder feitelijke gebruiksomstandigheden (rekening houdend met alle onderdelen van de gebruikscyclus, zoals de tijd dat het gereedschap is uitgeschakeld en wanneer dit onbelast draait inclusief de triggertijd).

## ADVERTENCIAS DE SEGURIDAD GENERAL DE LA HERRAMIENTA ELÉCTRICA

### ADVERTENCIA

Lea todas las instrucciones y advertencias de seguridad.

Si no se siguen las advertencias e instrucciones, podría producirse una descarga eléctrica, un incendio y/o daños graves.

Guarde todas las advertencias e instrucciones para futura referencia.

El término "herramienta eléctrica" en las advertencias hace referencia a la herramienta eléctrica que funciona con la red de suministro (con cable) o a la herramienta eléctrica que funciona con pilas (sin cable).

#### 1) Seguridad del área de trabajo

- Mantenga la zona de trabajo limpia y bien iluminada.**  
*Las zonas desordenadas u oscuras pueden provocar accidentes.*
- No utilice las herramientas eléctricas en entornos explosivos como, por ejemplo, en presencia de líquidos inflamables, gases o polvo.**  
*Las herramientas eléctricas crean chispas que pueden inflamar el polvo o los humos.*
- Mantenga a los niños y transeúntes alejados cuando utilice una herramienta eléctrica.**  
*Las distracciones pueden hacer que pierda el control.*

#### 2) Seguridad eléctrica

- Los enchufes de las herramientas eléctricas tienen que ser adecuados a la toma de corriente.**  
**No modifique el enchufe.**  
**No utilice enchufes adaptadores con herramientas eléctricas conectadas a tierra.**  
*Si no se modifican los enchufes y se utilizan tomas de corriente adecuadas se reducirá el riesgo de descarga eléctrica.*
- Evite el contacto corporal con superficies conectadas a tierra como tuberías, radiadores y frigoríficos.**  
*Hay mayor riesgo de descarga eléctrica si su cuerpo está en contacto con el suelo.*
- No exponga las herramientas eléctricas a la lluvia o a la humedad.**  
*La entrada de agua en una herramienta eléctrica aumentará el riesgo de descarga eléctrica.*
- No utilice el cable incorrectamente. No utilice el cable para transportar, tirar de la herramienta eléctrica o desenchufarla.**  
**Mantenga el cable alejado del calor, del aceite, de bordes afilados o piezas móviles.**  
*Los cables dañados o enredados aumentan el riesgo de descarga eléctrica.*
- Cuando utilice una herramienta eléctrica al aire libre, utilice un cable prolongador adecuado para utilizarse al aire libre.**  
*La utilización de un cable adecuado para usarse al aire libre reduce el riesgo de descarga eléctrica.*
- Si no se puede evitar el uso de una herramienta eléctrica en un lugar húmedo, utilice un suministro protegido mediante un dispositivo de corriente residual (RCD).**  
*El uso de un RCD reduce el riesgo de descarga eléctrica.*

#### 3) Seguridad personal

- Esté atento, preste atención a lo que hace y utilice el sentido común cuando utilice una herramienta eléctrica.**  
**No utilice una herramienta eléctrica cuando esté cansado o esté bajo la influencia de drogas, alcohol o medicación.**  
*La distracción momentánea cuando utiliza herramientas eléctricas puede dar lugar a importantes daños personales.*

- Utilice un equipo de protección. Utilice siempre una protección ocular.**

*El equipo de protección como máscara para el polvo, zapatos de seguridad antideslizantes, casco o protección para oídos utilizado para condiciones adecuadas reducirá los daños personales.*

- Evite un inicio involuntario. Asegúrese de que el interruptor está en "off" antes de conectar la herramienta a una fuente de alimentación y/o batería, cogerla o transportarla.**  
*El transporte de herramientas eléctricas con el dedo en el interruptor o el encendido de herramientas eléctricas con el interruptor encendido puede provocar accidentes.*
  - Retire las llaves de ajuste antes de encender la herramienta eléctrica.**  
*Si se deja una llave en una pieza giratoria de la herramienta eléctrica podrían producirse daños personales.*
  - No se extralimite. Mantenga un equilibrio adecuado en todo momento.**  
*Esto permite un mayor control de la herramienta eléctrica en situaciones inesperadas.*
  - Vístase adecuadamente. No lleve prendas sueltas o joyas. Mantenga el pelo, la ropa y los guantes alejados de las piezas móviles.**  
*La ropa suelta, las joyas y el pelo largo pueden pillarse en las piezas móviles.*
  - Si se proporcionan dispositivos para la conexión de extracción de polvo e instalaciones de recogida, asegúrese de que están conectados y se utilizan adecuadamente.**  
*La utilización de un sistema de recogida de polvo puede reducir los riesgos relacionados con el polvo.*
- #### 4) Utilización y mantenimiento de las herramientas eléctricas
- No fuerce la herramienta eléctrica. Utilice la herramienta eléctrica correcta para su aplicación.**  
*La herramienta eléctrica correcta trabajará mejor y de forma más segura si se utiliza a la velocidad para la que fue diseñada.*
  - No utilice la herramienta eléctrica si el interruptor no la enciende y apaga.**  
*Las herramientas eléctricas que no pueden controlarse con el interruptor son peligrosas y deben repararse.*
  - Desconecte el enchufe de la fuente eléctrica y/o la batería de la herramienta eléctrica antes de hacer ajustes, cambiar accesorios o almacenar herramientas eléctricas.**  
*Estas medidas de seguridad preventivas reducen el riesgo de que la herramienta eléctrica se ponga en marcha accidentalmente.*
  - Guarde las herramientas eléctricas que no se utilicen para que no las cojan los niños y no permita que utilicen las herramientas eléctricas personas no familiarizadas con las mismas o con estas instrucciones.**  
*Las herramientas eléctricas son peligrosas si son utilizadas por usuarios sin formación.*
  - Mantenimiento de las herramientas eléctricas.**  
**Compruebe si las piezas móviles están mal alineadas o unidas, si hay alguna pieza rota u otra condición que pudiera afectar al funcionamiento de las herramientas eléctricas.**  
**Si la herramienta eléctrica está dañada, llévela a reparar antes de utilizarla.**  
*Se producen muchos accidentes por no realizar un mantenimiento correcto de las herramientas eléctricas.*
  - Mantenga las herramientas de corte afiladas y limpias.**  
*Las herramientas de corte correctamente mantenidas con los bordes de corte afilados son más fáciles de controlar.*

- g) Utilice la herramienta eléctrica, los accesorios y las brocas de la herramienta, etc. de acuerdo con estas instrucciones, teniendo en cuenta las condiciones laborales y el trabajo que se va a realizar.

*La utilización de la herramienta eléctrica para operaciones diferentes a aquellas pretendidas podría dar lugar a una situación peligrosa.*

## 5) Revisión

- a) Lleve su herramienta a que la revise un experto cualificado que utilice sólo piezas de repuesto idénticas. Esto garantizará el mantenimiento de la seguridad de la herramienta eléctrica.

## PRECAUCIÓN

Mantenga a los niños y a las personas enfermas alejadas. Cuando no se utilicen, las herramientas deben almacenarse fuera del alcance de los niños y de las personas enfermas.

## PRECAUCIONES SOBRE EL USO DE LA MÁQUINA

- No utilice la herramienta mecánica con materiales explosivos (por ejemplo disolventes inflamables).** Las herramientas mecánicas producen chispas que podrían prender fuego a vapores en desarrollo.
- Si la herramienta mecánica cae dentro del material que se va a mezclar, desenchúfela inmediatamente y haga que dicha herramienta la compruebe un agente de servicio posventa.** El material que puede haber penetrado en la herramienta mecánica puede causar daños y descargas eléctricas.

- Cuando trabaje con la máquina, sujétela siempre firmemente con ambas manos y en una posición segura.**

La herramienta mecánica se maneja de forma más segura con ambas manos.

- No trabaje con materiales que contengan amianto.** El amianto se considera cancerígeno.
- Tome las medidas de precaución necesarias cuando se pueda crear polvo durante el trabajo que sea perjudicial para la salud, combustible o explosivo.** Ejemplo: Algunos tipos de polvo se consideran cancerígenos. Utilice una mascarilla y trabaje con un sistema de extracción de polvo y pequeños materiales cuando se pueda conectar.
- Espera siempre a que la máquina se haya detenido completamente antes de bajarla.** La inserción de la herramienta puede producir un atasco y provocar la pérdida de control de la herramienta mecánica.
- No utilice nunca la máquina con un cable dañado. No toque el cable dañado ni tire del enchufe cuando el cable esté dañado mientras trabaja.** Los cables dañados aumentan el riesgo de descargas eléctricas.
- Cuando se utilice la batidora con materiales húmedos evite salpicaduras en el motor.**
- Conecte las máquina usadas en abierto a través de un dispositivo de corriente residual (RCD, Residual Current Device).**

## ESPECIFICACIONES

Modelo	UM16VST		UM12VST	
Voltaje (por áreas)*	230V ~			
Acometida	1500 W*		1100 W*	
Alteración de velocidad	1	2	1	2
Velocidad de marcha en vacío	150 – 300 min <sup>-1</sup>	300 – 650 min <sup>-1</sup>	150 – 300 min <sup>-1</sup>	300 – 650 min <sup>-1</sup>
Argamasa de mezcla	160 mm		120 mm	
Peso (sin cable)	5,6 kg		5,4 kg	

\*Verificar indefectiblemente los datos de la placa de características de la máquina, pues varían de acuerdo al país de destino.

## ACCESORIOS ESTANDAR

- Paleta mezcladora de 160 mm (UM16VST) o 120 mm (UM12VST) ..... 1
  - Llave ..... 2
  - 1 par de escobillas de carbón de repuesto ..... 1
- Accesorios estándar están sujetos a cambio sin previo aviso.

## APLICACIONES

Materiales de construcción en polvo para mezcla, como por ejemplo mortero, yeso, adhesivos, así como pintura sin disolvente, barniz y sustancias similares.

## ANTES DE LA PUESTA EN MARCHA

### 1. Alimentación

Asegurarse de que la acometida de red que ha de ser utilizada es conforme a las exigencias de corriente especificadas en la placa de características del producto.

### 2. Conmutador de alimentación

Asegurarse de que el conmutador de acometida está en posición OFF (desconectado). Si el enchufe está conectado a la caja del enchufe mientras el conmutador de acometida está en posición ON (conectado) la herramienta eléctrica empezará a trajar inmediatamente, provocando un serio accidente.

### 3. Cable de prolongación

Cuando está alejada el área de trabajo de la red de acometida, usar un cable de prolongación de un grosor suficiente y potencia nominal. El cable de prolongación debe ser mantenido o más corto posible.

### 4. Montar y desmontar la paleta mezcladora (Fig. 2)

#### PRECAUCIÓN

Para evitar accidentes graves, asegúrese de que el interruptor se encuentra en la posición OFF (desconectado) y que la alimentación esta desconectada.

- (1) Atornille la paleta mezcladora en el husillo. Sujete el husillo con la llave y gire la paleta mezcladora con otra llave en el sentido de las agujas del reloj (visto desde el frente). Apriétela de forma segura.
  - (2) La paleta mezcladora se desmonta siguiendo los pasos anteriores en orden inverso.
- 5. Alteración de velocidad alta y velocidad baja**  
 Antes de alterar la velocidad, asegúrese de que el conmutador está en la posición OFF (desconectado) y que la máquina se ha detenido completamente. Para cambiar la velocidad gire el control de cambio de velocidad como indica por la flecha en **Fig. 3**. El número "1" grabado en el cuerpo la máquina denota velocidad baja, el número "2" denota velocidad alta. Si le cuesta girar el control de cambio de velocidad, gire el husillo ligeramente en cualquier dirección y luego vuelva a girar el control de cambio de velocidad.

## COMO SE USA

### 1. Operación del interruptor (Fig. 4)

- La herramienta gira al presionar el interruptor de gatillo. Al soltar el gatillo, la herramienta se detiene.
- Tire del gatillo y empuje el tope para mantener activada la alimentación, lo cual es conveniente para un funcionamiento continuo. Cuando se lo desconecta, el tope puede quitarse tirando del gatillo otra vez.

### 2. Ajustar la velocidad

Es posible seleccionar previamente la velocidad de rotación deseada con el dial de control de velocidad. (Fig. 5)

## MANTENIMIENTO E INSPECCION

### 1. Limpieza y almacenamiento

Cuando la batidora no se esté utilizando, almacénela en un lugar seco con el motor hacia arriba. Durante la limpieza de la batidora, evite que entre agua u otro líquido en el motor.

### 2. Inspeccionar la broca de taladro y el macho de roscar

Como el uso continuado de una broca o macho de roscar desgastados disminuye la eficiencia operativa y causa un posible recalentamiento del motor, reemplazar o afilar la broca o el macho sin demora si se nota un excesivo desgaste.

### 3. Mantenimiento d motor

La unidad de devanado del motor es el verdadero "corazón" del herramientas eléctricas. Prestar el mayor cuidado a asegurarse de que el devando no se dañe y/o se humedezca con aceite o agua.

### 4. Inspección de escobillas de carbón

El motor emplea carbones de contacto que son piezas consumibles. Dado que una escobilla de carbón excesivamente desgastada puede provocar problemas al motor, cámbiela por una nueva del mismo número. Además, mantenga las escobillas de carbón limpias y asegúrese de que se deslizan libremente dentro de sus soportes.

## PRECAUCIÓN

Para reemplazar las escobillas, utilice siempre otras genuinas de Hitachi con el número especificado en el dibujo.

### 5. Reemplazar el carbón de contacto

Quitar la cápsula de carbón con un destornillador con cabeza pequeña. El carbón de contacto se deja luego se quitar fácilmente.

### 6. Lista de repuestos

## PRECAUCIÓN

La reparación, modificación e inspección de las herramientas eléctricas Hitachi deben ser realizadas por un Centro de Servicio Autorizado de Hitachi.

Esta lista de repuestos será de utilidad si es presentada junto con la herramienta al Centro de Servicio Autorizado de Hitachi, para solicitar la reparación o cualquier otro tipo de mantenimiento.

En el manejo y el mantenimiento de las herramientas eléctricas, se deberán observar las normas y reglamentos vigentes en cada país.

## MODIFICACIONES

Hitachi Power Tools introduce constantemente mejoras y modificaciones para incorporar los últimos avances tecnológicos.

Por consiguiente, algunas partes pueden ser modificadas sin previo aviso.

## GARANTÍA

Las herramientas motorizadas de Hitachi incluye una garantía conforme al reglamento específico legal/nacional. Esta garantía no cubre los defectos o daños debidos al uso incorrecto, el abuso o el desgaste normal. En caso de reclamación, envíe la herramienta motorizada, sin desmontar y con el CERTIFICADO DE GARANTÍA que aparece al final de estas instrucciones de uso, al Centro de Servicio Autorizado de Hitachi.

## OBSERVACION

Debido al programa continuo de investigación y desarrollo de HITACHI estas especificaciones están sujetas a cambio sin preaviso.

## Información sobre el ruido propagado por el aire y vibración

Los valores medidos se determinaron de acuerdo con EN60745 declararon de conformidad con ISO 4871.

Nivel de potencia auditiva ponderada A: 104 dB (A)

Nivel de presión auditiva ponderada A: 93 dB (A)

Duda KpA: 3 dB (A)

Utilice protecciones auriculares.

Valores totales de la vibración (suma de vectores triax.) determinados de acuerdo con EN60745.

Sin carga:

Valor de emisión de la vibración **ah** = 2,7 m/s<sup>2</sup>

Incertidumbre K = 1,5 m/s<sup>2</sup>

El valor total de vibración declarado ha sido medido de acuerdo con un método de prueba estándar y permite comparar unas herramientas con otras.

También resulta útil para llevar a cabo evaluaciones preliminares de exposición.

## ADVERTENCIA

○ La emisión de vibración durante la utilización de la herramienta eléctrica puede ser diferente del valor total declarado dependiendo de las formas de utilización de la herramienta.

○ Identifique las medidas seguras para proteger al operario basadas en una estimación de exposición en las condiciones reales de uso (teniendo en cuenta todas las partes del ciclo de funcionamiento como tiempos cuando la herramienta está apagada y cuando funciona lentamente además del tiempo de activación).

## AVISOS GERAIS DE SEGURANÇA PARA A FERRAMENTA ELÉCTRICA

### AVISO

Leia todas as instruções e avisos de segurança.

Se não seguir todas as instruções e os avisos, pode provocar um choque eléctrico, incêndio e/ou ferimentos graves.

Guarde todos os avisos e instruções para referência futura. O termo "ferramenta eléctrica" em todos os avisos refere-se à sua ferramenta ligada à corrente (com fios) ou à ferramenta eléctrica a baterias (sem fios).

#### 1) Segurança da área de trabalho

- Mantenha a área de trabalho limpa e bem iluminada. As áreas escuras ou cheias de material são propícias aos acidentes.
- Não trabalhe com ferramentas eléctricas em ambientes explosivos, tais como na presença de líquidos inflamáveis, gases ou pó. As ferramentas eléctricas criam faíscas que podem inflamar o pó dos fumos.
- Mantenha as crianças e outras pessoas afastadas quando trabalhar com uma ferramenta eléctrica. As distrações podem fazer com que perca controlo.

#### 2) Segurança eléctrica

- As fichas da ferramenta eléctrica devem corresponder às tomadas. Nunca modifique a ficha. Não utilize fichas adaptadoras com ferramentas eléctricas ligadas à terra. As fichas não modificadas e tomadas correspondentes reduzirão o risco de choques eléctricos.
- Evite contacto corporal com superfícies ligadas à terra, tais como tubos, radiadores, máquinas e frigoríficos. Existe um risco acrescido de choque eléctrico se o seu corpo estiver ligado à terra.
- Não exponha ferramentas eléctricas à chuva ou condições de humidade. A entrada de água numa ferramenta eléctrica aumentará o risco de choques eléctricos.
- Não abuse do fio. Nunca utilize o fio para transportar, puxar ou desligar a ferramenta eléctrica. Mantenha o fio afastado do calor, óleo, margens afiadas ou peças em movimento. Os fios danificados ou entrelaçados podem aumentar o risco de choques eléctricos.
- Quando trabalhar com uma ferramenta eléctrica no exterior, utilize uma extensão adequada para utilização exterior. A utilização de um fio adequado para utilização no exterior reduz o risco de choques eléctricos.
- Se não for possível evitar a utilização de uma máquina eléctrica num local húmido, utilize uma fonte de alimentação protegida por um dispositivo de corrente residual (RCD). A utilização de um RCD reduz o risco de choque eléctrico.

#### 3) Segurança pessoal

- Mantenha-se alerta, esteja atento ao que está a fazer e utilize senso comum quando trabalhar com uma ferramenta eléctrica. Não utilize uma ferramenta eléctrica quando estiver cansado ou sob a influência de drogas, álcool ou medicamentos. Um momento de desatenção enquanto trabalha com ferramentas eléctricas pode resultar em ferimentos pessoais graves.

- Utilize equipamento de protecção pessoal. Utilize sempre protecção para os olhos.

O equipamento de protecção, tal como uma máscara de pó, sapatos de segurança anti-derrapantes, chapéu rígido ou protecção auricular utilizados para condições adequadas reduzirá os ferimentos pessoais.

- Evite ligar por acidente. Certifique-se de que o interruptor está na posição de desligado antes de ligar a fonte de alimentação e/ou bateria, levantar o transportar a ferramenta. Transportar ferramentas eléctricas com o dedo no interruptor ou activar ferramentas que estão com o interruptor ligado é propício a acidentes.
  - Remova qualquer chave de parafusos ou chave-inglesa de regulação antes de ligar a ferramenta. Uma chave-inglesa ou de parafusos ligada à parte rotativa da ferramenta pode provocar ferimentos pessoais.
  - Não se estique. Mantenha sempre o controlo e equilíbrio adequados. Isto permite obter um melhor controlo da ferramenta em situações inesperadas.
  - Use vestuário adequado. Não use roupas largas ou jóias. Mantenha o cabelo, roupas e luvas afastados das peças móveis. As roupas largas, jóias ou cabelo comprido podem ser apanhados em peças móveis.
  - Se forem fornecidos dispositivos para a ligação de extractores de pó e dispositivos de recolha, certifique-se de que estes estão ligados e são utilizados adequadamente. A utilização de uma recolha de pó pode reduzir os perigos relacionados com o pó.
- #### 4) Utilização da ferramenta e manutenção
- Não force a ferramenta eléctrica. Utilize a ferramenta correcta para a sua aplicação. A ferramenta correcta fará o trabalho melhor e com mais segurança à velocidade para a qual foi concebida.
  - Não utilize a ferramenta eléctrica se o interruptor não a ligar ou desligar. Qualquer ferramenta que não possa ser controlada com o interruptor é perigosa e deve ser reparada.
  - Desligue a ficha da rede antes e/ou a bateria da ferramenta eléctrica antes de efectuar quaisquer regulações, mudar os acessórios ou guardar ferramentas eléctricas. Tais medidas de segurança de prevenção reduzem o risco de ligar a ferramenta eléctrica acidentalmente.
  - Guarde as ferramentas eléctricas fora do alcance de crianças e não permita que pessoas não habituadas à ferramenta eléctrica ou estas instruções trabalhem com a ferramenta. As ferramentas eléctricas são perigosas nas mãos de utilizadores inexperientes.
  - Efectue a manutenção de ferramentas eléctricas. Verifique a existência de desalinhamentos ou dobragens das peças móveis, quebras de peças e quaisquer outras condições que possam afectar o funcionamento das ferramentas eléctricas. Se danificada, mande reparar a ferramenta antes de utilizar. Muitos acidentes são causados por ferramentas com má manutenção.
  - Mantenha as ferramentas de corte afiadas e limpas. As ferramentas de corte com uma manutenção adequada e extremidades afiadas são menos propensas a dobrar e mais fáceis de controlar.

- g) **Utilize a ferramenta eléctrica, acessórios e pontas de ferramentas, etc., de acordo com estas instruções, tomando em consideração as condições de trabalho e o trabalho a ser efectuado.**

*A utilização de uma ferramenta eléctrica para operações diferentes das concebidas pode resultar num mau funcionamento.*

#### 5) Manutenção

- a) **Faça a manutenção da sua ferramenta eléctrica por um pessoal de reparação qualificado e utilize apenas peças de substituição idênticas.**

*Isto garantirá que a segurança da ferramenta eléctrica é mantida.*

#### AVISO

Mantenha afastadas das crianças e pessoas doentes.

Quando não estiverem a ser utilizadas, as ferramentas devem ser guardadas fora do alcance de crianças e pessoas doentes.

#### PRECAUÇÕES AO UTILIZAR A MÁQUINA

1. **Não utilize a ferramenta eléctrica em materiais explosivos (por exemplo, solventes facilmente inflamáveis).**

As ferramentas eléctricas produzem faíscas, as quais podem inflamar vapores em desenvolvimento.

2. **No caso da ferramenta eléctrica cair dentro do material a ser misturado, desligue-a imediatamente da tomada eléctrica e envie-a a um agente de serviço pós-venda para verificação.**

O material que possa ter penetrado na ferramenta eléctrica pode causar danos e originar choques eléctricos.

3. **Ao trabalhar com a máquina, segure-a firmemente com ambas as mãos numa posição segura.**

A ferramenta eléctrica é operada com mais segurança utilizando ambas as mãos.

4. **Não utilize materiais que contenham amianto.**

O amianto é um material considerado cancerígeno.

5. **Tome as necessárias medidas de protecção, dado que o pó criado durante os trabalhos pode ser prejudicial à saúde, inflamável ou explosivo.**

Exemplo: Alguns tipos de pó são considerados cancerígenos. Use uma máscara para poeira e utilize extração de pó/aparas quando disponível.

6. **Aguarde sempre que a máquina pare completamente antes de a pousar.**

O orifício de inserção de ferramentas pode encravar e causar uma perda de controlo sobre a ferramenta eléctrica.

7. **Nunca utilize a máquina com um cabo danificado. Não toque no cabo danificado e desligue a ferramenta da energia eléctrica caso o cabo fique danificado durante o funcionamento.**

Os cabos danificados aumentam o risco de choque eléctrico.

8. **Durante a utilização de um misturador com líquidos evite salpicar o motor.**

9. **Ligue as máquinas utilizadas ao ar livre através de um disjuntor diferencial residual (DR).**

#### ESPECIFICAÇÕES

Modelo	UM16VST		UM12VST	
Voltagem (por áreas)*	230V ~			
Potência de entrada	1500 W*		1100 W*	
Mudança de velocidade	1	2	1	2
Rotação sem carga	150 – 300 min <sup>-1</sup>	300 – 650 min <sup>-1</sup>	150 – 300 min <sup>-1</sup>	300 – 650 min <sup>-1</sup>
Pá misturadora	160 mm		120 mm	
Peso (sem fio)	5,6 kg		5,4 kg	

\*Não deixe de verificar a voltagem na placa identificadora constante do produto, pois ela está sujeita a mudanças conforme a área.

#### ACESSÓRIOS-PADRÃO

- (1) Pá misturadora com 160mm (UM16VST) ou 120mm (UM12VST) ..... 1  
 (2) Chave ..... 2  
 (3) 1 Par de escovas de carvão sobresselente ..... 1  
 Os acessórios-padrão estão sujeitos a mudanças sem aviso prévio.

#### APLICAÇÕES

Mistura de materiais de construção pulverizados, como por exemplo cimento, argamassa, materiais adesivos, bem como tinta sem solvente, verniz e outras substâncias similares.

#### ANTES DA OPERAÇÃO

##### 1. Fonte de energia

Certifique-se de que a fonte de energia a ser utilizada está conforme às exigências especificadas na placa identificadora do produto.

##### 2. Interruptor

Certifique-se de que o interruptor está na posição desligada. Se o plugue estiver conectado a um receptáculo quando o interruptor estiver ligado, a ferramenta eléctrica vai começar a operar imediatamente, podendo provocar um grave acidente.

##### 3. Cabo de extensão

Quando o local de trabalho não possuir uma fonte de energia, utilize um cabo de extensão de espessura e de potência nominal suficientes. A extensão deve ser mantida tão curta quanto possível.

##### 4. Montagem e desmontagem da pá misturadora (Fig. 2) CUIDADO

Para evitar acidentes sérios, certifique-se que o interruptor está na posição desligada (OFF) e que a fonte de energia foi retirada.

- (1) Aperte a pá misturadora no eixo. Segure firmemente o eixo com uma chave e gire a pá misturadora com outra chave no sentido dos ponteiros do relógio (visto desde a parte da frente). Aperte firmemente.  
 (2) Para remover a pá misturadora, proceda na ordem inversa.

## 5. Comutação de alta velocidade/baixa velocidade

Antes de mudar a velocidade, certifique-se de que o interruptor está na posição desligada (OFF) e que o máquina parou completamente.

Para mudar a velocidade, gire o botão de engrenagem como indicado pela seta na **Fig. 3**. O numeral "1" gravado no corpo da máquina denota baixa velocidade; o numeral "2" denota alta velocidade.

Caso seja difícil rodar o botão de engrenagem, rode o eixo ligeiramente para qualquer das direcções e depois novamente o botão da engrenagem.

## MODO DE USAR

### 1. Acionamento do interruptor (Fig. 4)

- Ao se pressionar o gatilho, a ferramenta entra em rotação. Ao se soltar o gatilho, ela pára.
- Ao puxar o gatilho e empurrar o botão de parada, mantém-se a condição de acionamento conveniente para um trabalho contínuo. Ao desligar, o botão de parada pode ser desconectado pressionando-se outra vez o gatilho.

### 2. Ajustar a velocidade

A velocidade de rotação desejada pode ser pré-seleccionada no dial de controle de velocidade. (**Fig. 5**)

## MANUTENÇÃO E INSPEÇÃO

### 1. Armazenamento e limpeza

Quando não estiver a utilizar o misturador guarde-o num local seco com o motor virado para cima. Durante a limpeza do misturado evite a entrada de água ou líquidos no motor.

### 2. Inspeção dos parafusos de montagem

Inspeccione regularmente todos os parafusos de montagem e se certifique de que estão corretamente apertados. Se algum deles estiver frouxo, reaperte-o imediatamente. Caso isso não seja feito, pode resultar em perigo grave.

### 3. Manutenção do motor

A unidade de enrolamento do motor é o verdadeiro "coração" da ferramenta eléctrica. Cuide bem para assegurar que o enrolamento não se danifique e/ou se molhe com óleo ou água.

### 4. Inspeção das escovas de carvão

O motor emprega escovas de carvão que são peças de consumo. Como uma escova de carvão excessivamente desgastada pode provocar problemas no motor, troque-a por uma nova que tenha o mesmo número. Além disso, mantenha as escovas de carvão sempre limpas e certifique-se de que elas deslizam livremente nos suportes de escova.

## CUIDADO

Ao substituir escovas de carvão por novas, use sempre peças genuínas Hitachi com o número especificado no desenho.

### 5. Troca de escovas de carvão

Desmonte a proteção da escova com uma chave de fenda. As escovas de carvão podem, então, ser facilmente removidas.

### 6. Lista de peças para conserto

## CUIDADO

Consertos, modificações e inspeção de Ferramentas Eléctricas da Hitachi devem ser realizados por uma Oficina Autorizada da Hitachi.

Esta lista de peças pode ser útil se apresentada com a ferramenta na Oficina Autorizada da Hitachi ao solicitar conserto ou manutenção.

Na operação e na manutenção das ferramentas eléctricas, devem-se observar as normas de segurança e os padrões prescritos por cada país.

## MODIFICAÇÃO

As Ferramentas Eléctricas da Hitachi estão sempre sendo aperfeiçoadas e modificadas para incorporar os mais recentes avanços tecnológicos.

Dessa forma, algumas peças podem mudar sem aviso prévio.

## GARANTIA

Garantimos que a Hitachi Power Tools obedece às respectivas normas específicas estatutárias/de país. Esta garantia não cobre avarias ou danos derivados de má utilização, abuso ou desgaste normal. Em caso de queixa, envie a Ferramenta, não desmontada, juntamente com o CERTIFICADO DE GARANTIA que se encontra no fundo destas instruções de utilização, para um Centro de Serviço Autorizado Hitachi.

## NOTA

Devido ao contínuo programa de pesquisa e desenvolvimento da HITACHI, as especificações aqui contidas estão sujeitas a mudanças sem aviso prévio.

## Informação a respeito de ruído e vibração do ar

Os valores medidos foram determinados de acordo com a EN60745 e declarados em conformidade com a ISO 4871.

Nível de potência sonora ponderada A medida: 94 dB (A)

Nível de pressão sonora ponderada A medida: 83 dB (A)

Imprecisão KpA: 3 dB (A)

Use proteção auditiva.

Os valores totais da vibração (soma do vector triax) são determinados de acordo com a norma EN60745.

Sem carga:

Valor de emissão de vibrações **ah** = 2,7 m/s<sup>2</sup>

Incerteza de K = 1,5 m/s<sup>2</sup>

O valor total de vibração declarado foi medido de acordo com um método de teste padrão e pode ser utilizado para comparar ferramentas.

Pode também ser utilizado numa avaliação preliminar de exposição.

## AVISO

○ O valor de emissão de vibrações durante a utilização da ferramenta eléctrica pode ser diferente do valor total declarado, consoante as formas de utilização da ferramenta.

○ Identificar as medidas de segurança para proteger o operador, que são baseadas numa estimativa de exposição nas actuais condições de utilização (tendo em conta todas as partes do ciclo de funcionamento, tais como os tempos em que a ferramenta é desligada e quando está a funcionar ao ralenti, além do tempo de accionamento do gatilho).

## ALLMÄNNA SÄKERHETSVARNINGAR FÖR ELEKTRISKA VERKTYG

### ⚠️ VARNING

Läs alla säkerhetsvarningar och alla instruktioner.

Underlåtenhet att följa varningarna och instruktionerna nedan kan resultera i elstötar, brand och/eller allvarliga skador.

**Spara alla varningar och instruktioner för framtida referens.** Uttrycket "elektriskt verktyg" i varningar hänvisar till ditt eldrivna (med sladd) eller batteridrivna (sladdlöst) elektriska verktyg.

#### 1) Säkerhet på arbetsplats

- Håll arbetsplatsen ren och välbelyst.**  
*Röriga eller mörka arbetsplatser inbjuder till olyckor.*
- Använd inte elektriska verktyg i explosiva omgivningar, som t ex i närvaro av antändliga vätskor, gaser eller damm.**  
*Elektriska verktyg bildar gnistor som kan antända dammet eller ångorna.*
- Håll barn och kringstående på avstånd när du arbetar med ett elektriskt verktyg.**  
*Distractioner kan få dig att tappa kontrollen.*

#### 2) Elektrisk säkerhet

- Det elektriska verktygets stickpropp måste matcha uttaget.**  
**Modifiera aldrig stickproppen.**  
**Använd inte adapterstickproppar till jordade elektriska verktyg.**  
*Omodifierade stickproppar och matchande uttag minskar risken för elstötar.*
- Undvik kroppskontakt med jordade ytor som t ex rör, värmeelement, spisar och kylskåp.**  
*Det finns ökad risk för elstötar om din kropp är jordad.*
- Utsätt inte elektriska verktyg för regn eller väta.**  
*Om vatten kommer in i ett elektriskt verktyg ökar risken för elstötar.*
- Misshandla inte sladden. Använd aldrig sladden för att bära, dra eller dra ur sladden till det elektriska verktyget.**  
**Håll sladden borta från värme, olja, skarpa kanter eller rörliga delar.**  
*Skadade eller tilltrasslade sladdar ökar risken för elstötar.*
- Använd en förlängningssladd som är lämplig för utomhusbruk när du arbetar med det elektriska verktyget utomhus.**  
*Användning av en sladd som är lämplig för utomhusbruk minskar risken för elstötar.*
- Om du inte kan undvika att använda ett elektriskt verktyg på en fuktig plats, använd ett uttag med jordfelsbrytare.**  
*Användning av en jordfelsbrytare minskar risken för elektrisk stöt.*

#### 3) Personlig säkerhet

- Var vaksam, se upp med vad du gör och använd sunt förnuft när du arbetar med ett elektriskt verktyg.**  
**Använd inte elektriska verktyg när du är trött, drog- eller alkoholpåverkad eller har tagit mediciner.**  
*Ett ögonblicks ouppmärksamhet under arbetet kan resultera i allvarliga personskador.*

- Använd personskyddsutrustning. Ha alltid ögonskydd.**

*Skyddsutrustning som till exempel ansiktsmask, glidfria säkerhetsskor, hjälm eller hörselskydd för tillämpliga förhållanden minskar personskadorna.*

- Förebygg oavsiktlig start. Se till att omkopplaren står i frånläge innan du ansluter det elektriska verktyget till strömskällan och/eller batteriet, tar upp eller bär verktyget.**

*Att bära det elektriska verktyget med fingret på omkopplaren eller kraftansluta det elektriska verktyget då omkopplaren är på inbjuder till olyckor.*

- Avlägsna eventuell justeringsnyckel eller skruvnyckel innan du startar det elektriska verktyget.**

*En skruvnyckel eller nyckel som lämnats kvar på en roterande del av det elektriska verktyget kan resultera i personskador.*

- Sträck dig inte för långt. Stå alltid stadigt på fötterna och håll balansen.**

*På så sätt får du bättre kontroll över det elektriska verktyget i oväntade situationer.*

- Klä dig korrekt. Ha inte på dig vida, lösa kläder eller smycken. Håll håret, kläderna och handskarna borta från rörliga delar.**

*Vida kläder, smycken eller långt hår kan fastna i de rörliga delarna.*

- Om tillbehör för anslutning av dammuppsugnings- och damminsamlingsanordningar ingår, se då till att dessa anordningar ansluts och används på korrekt sätt.**

*Användning av damminsamling kan minska dammrelaterade faror.*

#### 4) Användning och skötsel av elektriska verktyg

- Tvinga inte det elektriska verktyget. Använd korrekt verktyg för det du ska göra.**  
*Korrekt verktyg gör arbetet bättre och säkrare med den hastighet som det är avsett för.*
- Använd inte det elektriska verktyget om omkopplaren inte kan vridas Från eller Till.**  
*Elektriska verktyg som inte kan kontrolleras med omkopplaren är farliga och måste repareras.*
- Dra ut sladden ur uttaget och/eller batteriet från det elektriska verktyget innan du gör justeringar, byter tillbehör eller magasinerar det elektriska verktyget.**  
*Sådana förebyggande säkerhetsåtgärder minskar risken för att det elektriska verktyget startar oavsiktligt.*
- Förvara elektriska verktyg som inte används utom räckhåll för barn och låt inte personer som är obekanta med verktyget eller dessa instruktioner använda verktyget.**  
*Elektriska verktyg är farliga i händerna på otränade användare.*
- Underhåll elektriska verktyg. Kontrollera med avseende på felaktig inriktning eller om rörliga delar kärvar, om delar har spruckit samt alla andra tillstånd som kan påverka verktygets drift.**  
**Om verktyget är skadat se till att det repareras innan du använder det.**  
*Många olyckor förorsakas av dåligt underhållna verktyg.*

- f) Håll skärverktygen skarpa och rena.  
*Korrekt underhållna skärverktyg med skarpa skäreddar kärvar inte och är lättare att kontrollera.*
- g) Använd det elektriska verktyget, tillbehör och hårdmetallskär etc. i enlighet med dessa instruktioner, samtidigt som du tar arbetsförehållanden och det arbete som ska utföras med i beräkningen.  
*Att använda det elektriska verktyget för andra ändamål än det är avsett för kan resultera i farliga situationer.*

#### 5) Service

- a) Låt en kvalificerad reparatör utföra service på ditt elektriska verktyg och använd bara identiska reservdelar.  
*Detta garanterar att det elektriska verktyget alltid är säkert och fungerar som det ska.*

#### FÖREBYGGANDE ÅTGÄRD

Håll barn och bräckliga personer på avstånd.

När verktygen inte används ska de förvaras utom räckhåll för barn och bräckliga personer.

#### VARNINGAR OM MASKINENS ANVÄNDNING

1. Använd inte elverktyg tillsammans med explosiva material (t.ex. lättantändliga lösningsmedel).  
Elverktyg avger gnistor som kan antända ångor.

#### TEKNISKA DATA

Modell	UM16VST		UM12VST	
Spänning (i förbruksländer)*	230V ~			
Ineffekt	1500 W*		1100 W*	
Ändra hastighet	1	2	1	2
Tomgångsvarvtal	150 – 300 min <sup>-1</sup>	300 – 650 min <sup>-1</sup>	150 – 300 min <sup>-1</sup>	300 – 650 min <sup>-1</sup>
Omrörningspinne	160 mm		120 mm	
Vikt (utan sladd)	5.6 kg		5.4 kg	

\* Kontrollera verktygets namnplåt i.o.m. att den varierar beroende på destinationslandet.

#### STANDARD TILLBEHÖR

- (1) Omrörningspinne 160 mm (UM16VST) eller 120 mm (UM12VST) ..... 1
- (2) Nyckel ..... 2
- (3) 1 par extra kolborstar ..... 1
- Rätt till ändringar av standard tillbehör förbehålles.

#### ANVÄNDNINGSSOMRÅDE

Blandande av byggnadsmaterial i pulverform, t.ex. cement, gips, klistre och färg fri från lösningsmedel, färg och liknande ämnen.

#### FÖRE ANVÄNDNING

##### 1. Strömkälla

Se till att den använda strömkällan har samma spänning som den angiven på verktygets namnplåt.

2. Om elverktyget faller ner i det material som ska röras om, dra genast ut kontakten och lämna in verktyget för kontroll hos en servicetekniker.

Material som har trängt in i verktyget kan orsaka skada och leda till elstöt.

3. När du arbetar med maskinen, håll alltid i den med båda händerna och inta en säker ställning.  
Elverktyget riktas säkrare med båda händerna.

4. Arbeta inte med material som innehåller asbest.

Asbest anses vara cancerframkallande.

5. Vidta skyddande åtgärder om hälsovådligt damm, lättantändligt eller explosivt, ansamlas under pågående arbete.

Exempel: Vissa sorters damm anses bara cancerframkallande.

Använd andningsskydd och arbeta med damm/spånutsugning när sådan kan anslutas.

6. Vänta alltid tills maskinen har stannat fullständigt innan du sätter ner den.

Det isatta verktyget kan fastna och leda till att du förlorar kontrollen över hela elverktyget.

7. Använd aldrig maskinen när sladden är skadad. Vidrör inte den skadade sladden och dra ut sladden ur eluttaget om sladden skadas under arbetets gång.  
Skadade sladdar ökar risken för elstöt.

8. När en blandare används tillsammans med våta material, förebygg stänk upp till motordelen på verktyget.

9. Anslut maskiner som används utomhus via en jordfelsbrytare.

##### 2. Nätströmbrytare

Se till att strömbrytaren är i läget OFF (från) innan du ansluter maskinen till strömtaget så att maskinen inte startar oavsiktligt.

##### 3. Förlängningskabel

Om arbetsplatsen är så långt borta från strömtaget att du använder en förlängningskabel, bör du se till att förlängningskabeln är tillräckligt tjock och har rätt klassificering. Använd så kort förlängningskabel som möjligt.

##### 4. Montering och borttagande av omrörningspinnen (Bild 2)

##### FÖRSIKTIGT

Undvik allvarliga olyckor genom att se till att omkopplaren är ställd i läge AV och att strömförsörjningen är fränkopplad.

- (1) Skruva fast omrörningspinnen i spindeln. Håll spindeln på plats med skiftnyckeln och vrid omrörningspinnen medurs med en annan skiftnyckel (sett framifrån). Dra åt ordentligt.

- (2) Omrörningspinnen tas bort i omvänd ordning.

## 5. Omkoppling mellan höghastighetsläge och låghastighetsläge

Innan du byter hastighet, se till att omkopplaren är ställd i läge AV och att maskinen har stannat fullständigt.

Byt hastighet genom att vrida på växelkontrollen i samma riktning som pilen i **Bild 3**. Den ingraverade siffran "1" på maskinkroppen anger låg hastighet, och siffran "2" anger hög hastighet.

Om det är svårt att vrida på växelkontrollen, vrid spindeln en aning i endera riktningen och vrid sedan på växelkontrollen igen.

## ANVÄNDNING

### 1. Manövrering (Bild 4)

- Tryck in startomkopplaren för att starta skruvdragaren. Släpp upp startomkopplaren för att stoppa skruvdragaren.
- Dra i avtryckaren och tryck på brytaren för att bibehålla påslaget läge vilket underlättar kontinuerlig drift. När du stänger av kan brytaren frikopplas genom att dra en gång till i avtryckaren.

### 2. Justera hastigheten

Önskad rotationshastighet kan väljas i förhand med hastighetskontrollen. (**Bild 5**)

## UNDERHÅLL OCH ÖVERSYN

### 1. Förvaring och rengöring

När en blandare inte används, förvara den på en torr plats och med motorsidan uppåt. Vid rengöring av en blandare, förhindra att vatten eller annan vätska tränger in i motorn.

### 2. Kontroll av monteringskruvar

Se till att varje monteringskruv är ordentligt åtdragen. Kontrollera skruvarna med jämna mellanrum. Slarv kan resultera i olycksfall.

### 3. Motorns underhåll

Motorn är elverktygets viktigaste del. Utsätt den inte för olja eller väta så att dne skadas.

### 4. Kontroll av kolborstar

Kolborstarna i motorn är förbruksartiklar och utsätts för slitage. Byt alltid ut kolborsten mot en ny så snart den är sliten eller nära avnöttningsgränsen, eftersom en sliten kolborste kan vara orsak till motorfel. Se också till att kolborstarna är rena och rör sig fritt i kolhållana.

### FÖRSIKTIGT

Använd endast Hitachis kolborstar (detaljnr. på ritningen) som utbyteskolborstar.

### 5. Byte av kol

Skruva bort "kolhatten" med en skruvmejsel och byt ut kolen.

### 6. Servicelista

### FÖRSIKTIGT

Reparationer, modifieringar och inspektioner av Hitachis elverktyg får endast utföras av en av Hitachi auktoriserad serviceverkstad.

Vi rekommenderar att denna servicelista lämnas in tillsammans med verktyget som referens, då verktyget lämnas in för reparation eller annat underhåll till en av Hitachi auktoriserad serviceverkstad.

Vid användning och underhåll av elverktyg måste de säkerhetsbestämmelser och standarder som gäller i respektive land iakttas.

## MODIFIERINGAR

Hitachis elverktyg förbättras och modifieras ständigt för att inkludera de senaste tekniska framstegen.

På grund av detta kan det hända att vissa ting ändras utan föregående meddelande.

## ANMÄRKNING

Beroende på HITACHIs kontinuerliga forsknings- och utvecklingsarbete, förbehåller HITACHI rätten till ändringar av tekniska data utan föregående meddelande.

## Information angående buller och vibrationer

Uppmätta värden har bestämts enligt EN60745 och fastställts i enlighet med ISO 4871.

Uppmätt A-viktad ljudeffektnivå: 104 dB(A)

Uppmätt A-viktad ljudtrycksnivå: 93 dB(A)

Osäkerhet KpA: 3 dB(A)

Använd hörselskydd.

Vibration totalvärdet (triax vektorsumma) har bestämts enligt EN60745.

Obelastad:

Vibrationsavgivning värde **ah** = 2,7 m/s<sup>2</sup>

Osäkerhet K = 1,5 m/s<sup>2</sup>

Det angivna totalvärdet för vibrationer har mätts enligt en standardtestmetod och kan användas vid jämförelse av verktyg.

Det kan också användas vid preliminär uppskattning av exponering.

### VARNING

- Vibrationsavgivning under verkligt användande av elverktyget kan skilja sig från det angivna totalvärdet beroende på det sätt som verktyget är använt på.
- Identifiera säkerhetsåtgärder som kan utföras för att skydda operatören som baseras på en uppskattning av utsättning i verkligheten (tar med i beräkningen alla delar av användandet så som när verktyget är avstängt och när det körs på tomgång utöver ut då startomkopplaren används).

## GENERELLE SIKKERHEDSADVARSLER FOR ELEKTRISKE VÆRKTØJ

### ADVARSEL

Læs alle sikkerhedsadvarsler og instruktioner.

Det kan medføre elektrisk stød, brand og/eller alvorlig personskade, hvis alle advarslerne og instruktionerne nedenfor ikke overholdes.

Gem alle advarsler og instruktioner så du har dem til senere brug.

Termen "elektrisk værktøj" i advarslerne henviser til værktøj, der tilsluttes lysnettet (med ledning), eller batteridrevet, (ledningsfrit) elektrisk værktøj.

#### 1) Sikkerhed for arbejdsområdet

- a) **Hold arbejdsområdet rent og tilstrækkeligt oplyst.**  
*Rodede eller mørke områder øger risikoen for ulykker.*
- b) **Anvend ikke elektrisk værktøj, hvis der er eksplosionsfare, f.eks. i nærheden af brandbare væsker, gasser eller støv.**  
*Elektrisk værktøj frembringer gnister, som kan antænde støv eller dampe.*
- c) **Hold børn og tilskuere væk, mens det elektriske værktøj anvendes.**  
*Distractioner kan medføre, at De mister kontrollen over værktøjet.*

#### 2) Elektrisk sikkerhed

- a) **Det elektriske værktøjs stik skal passe til stikkontakten.**  
**Foretag aldrig nogen form for modificeringer af stikket.**  
**Brug ikke adapter til jorden (jordforbundet) elektrisk værktøj.**  
*Stik, der ikke er modificeret, og tilsvarende stikkontakter nedsætter risikoen for elektrisk stød.*
- b) **Undgå berøring af jordede eller jordforbundne overflader, f.eks. rør, radiatorer, komfurer og køleskabe.**  
*Der er en øget risiko for elektrisk stød, hvis kroppen er jorden eller jordforbundet.*
- c) **Udsæt ikke de elektriske værktøjer for regn eller våde omgivelser.**  
*Hvis der trænger vand ind i det elektriske værktøj, øges risikoen for elektrisk stød.*
- d) **Misbrug ikke ledningen. Brug aldrig ledningen til at bære, trække eller afbryde værktøjet.**  
**Undgå, at ledningen kommer i kontakt med varmekilder, olie, skarpe kanter eller bevægelige dele.**  
*Beskadigede eller sammenfiltrede ledninger øger risikoen for elektrisk stød.*
- e) **Når et elektrisk værktøj anvendes udendørs, skal der anvendes en forlængerledning, der er egnet til udendørs brug.**  
*Ved brug af en ledning, der er egnet til udendørs brug, reduceres risikoen for elektrisk stød.*
- f) **Hvis du er nødsaget til at anvende det elektriske værktøj på et fugtigt sted, skal du anvende en strømforsyning, der er beskyttet med en fejlstrømsafbryder (RDC).**  
*Brug af RDC reducerer risikoen for elektrisk stød.*

#### 3) Personlig sikkerhed

- a) **Værk årvågen, hold opmærksomheden rettet mod arbejdet, og brug fornuften, når De anvender et elektrisk værktøj.**

Anvend ikke et elektrisk værktøj, hvis De er træt eller under indflydelse af narkotika, alkohol eller medikamenter.

*En øjeblikks uopmærksomhed, mens det elektriske værktøj anvendes, kan medføre alvorlig personskade.*

- b) **Brug personligt sikkerhedsudstyr. Brug altid beskyttelsesbriller.**  
*Ved brug af sikkerhedsudstyr som støvmaske, skridsikre sikkerhedssko, hjelm eller høreværn, når disse er påkrævet, reduceres antallet af personskader.*
  - c) **Undgå utilsigtet start af værktøjet. Kontrollér, at kontakten er slået fra, før værktøjet sluttes til lysnettet og/eller batteripakke, eller du samler værktøjet op eller bærer på det.**  
*Hvis du har fingeren på kontakten, når du bærer værktøjet, eller kontakten er slået til, når det elektriske værktøj tilføres strøm, øges risikoen for ulykker.*
  - d) **Afmonter alle justernøgler eller skruenøgler, før det elektriske værktøj startes.**  
*En skruenøgle eller en anden type nøgle, der sidder fast på en af det elektriske værktøjs roterende dele, kan medføre personskade.*
  - e) **Stræk Dem ikke for langt. Sørg hele tiden for at have et forsvarligt fodfæste og holde balancen.**  
*Derved vil De bedre kunne styre det elektriske værktøj i uventede situationer.*
  - f) **Vær hensigtsmæssigt påklædt. Vær ikke iført løst tøj eller løse smykker. Undgå, at Deres hår, tøj og handsker kommer i nærheden af de bevægelige dele.**  
*Løst tøj, løse smykker eller langt hår kan komme i klemme i de bevægelige dele.*
  - g) **Hvis der medfølger anordninger til udsugning og opsamling af støv, skal det kontrolleres, at disse tilsluttes og anvendes på korrekt vis.**  
*Brug af støvopsamling kan reducere støvrelaterede risici.*
- 4) **Brug og vedligeholdelse af elektrisk værktøj**
- a) **Pres ikke det elektriske værktøj. Brug det rigtige elektriske værktøj til den pågældende opgave.**  
*Arbejdet udføres bedre og mere sikkert ved brug af det rigtige værktøj ved den tilsluttede hastighed.*
  - b) **Anvend ikke det elektriske værktøj, hvis kontakten ikke tænder og slukker værktøjet.**  
*Alt elektrisk værktøj, der ikke kan styres ved hjælp af kontakten, er farligt og skal repareres.*
  - c) **Tag stikket ud af stikkontakten og/eller batteripakken ud fra det elektriske værktøj, før du foretager justeringer, skifter tilbehør eller lægger det elektriske værktøj på plads.**  
*Sådanne præventive sikkerhedsforanstaltninger reducerer risikoen for at starte det elektriske værktøj utilsigtet.*
  - d) **Opbevar elektrisk værktøj, der ikke er i brug, utilgængeligt for børn, og lad ikke personer, der ikke er vant til elektrisk værktøj eller som ikke har læst denne vejledning, anvende det elektriske værktøj.**  
*Elektrisk værktøj er farligt i hænderne på uerfarne brugere.*
  - e) **Vedligehold det elektriske værktøj. Kontrollér for bevægelige dele, der er monteret forkert eller sidder fast, defekte dele eller andre forhold, der kan påvirke det elektriske værktøjs drift.**  
**Hvis det elektriske værktøj er beskadiget, skal det repareres før brug.**  
*Mange ulykker skyldes dårligt vedligeholdt elektriske værktøj.*

- f) Sørg for, at skæreværktøj er skarpt og rent.  
*Der er mindre risiko for, at korrekt vedligeholdt skæreværktøj med skarpe skær sætter sig fast, og det er nemmere at styre.*
- g) Brug det elektriske værktøj, tilbehør og bits osv. i overensstemmelse med denne vejledning under hensynstagen til arbejdsforholdene og det arbejde, der skal udføres.  
*Der kan opstå farlige situationer, hvis det elektriske værktøj bruges til andre formål end de tilsigtede.*
- 5) Reparation  
 a) Få Deres elektriske værktøj repareret af kvalificeret teknikere, der kun bruger originale reservedele.  
*Derved sikres det, at sikkerheden ikke kompromitteres.*

#### SIKKERHEDSFORANSTALTNING

Hold børn og fysisk svagelige personer på afstand. Når værktøjet ikke er i brug, skal det opbevares utilgængeligt for børn og fysiske svagelige personer.

#### FORHOLDSREGLER VED BRUG AF MASKINEN

1. Brug ikke maskinværktøjet med eksplosive materialer (f.eks. brandfarlige opløsninger).  
 Maskinværktøj frembringer gnister, som kan antænde brandfarlige dampe.

2. Hvis maskinværktøjet falder ned i materialet, der skal omrøres, skal ledningen straks fjernes fra stikkontakten og redskabet undersøges på et serviceværkted.  
 Materiale, som er trængt ind i redskabet kan forårsage skade og give elektrisk stød.
3. Når du arbejder med redskabet, skal du altid holde godt fast i det med begge hænder og have et godt fodfæste. Maskinværktøjet styres mere sikkert med to hænder.
4. Arbejd ikke med materialer, der indeholder asbest. Asbest anses for kræftfremkaldende.
5. Træf beskyttelsesforanstaltninger, hvis der under arbejdet udvikles sundhedsfarlige, brandfarligt eller eksplosivt støv.  
 Eksempel: Nogle støvformer anses for kræftfremkaldende. Benyt støvmaske og arbejd med støv/spån udsugning, hvor der kan forbindes til en sådan.
6. Sæt aldrig maskinen ned, før den er helt stoppet. Værktøjsindstikket kan sætte sig fast med efterfølgende tab af kontrol over redskabet.
7. Brug aldrig maskinen med et beskadiget kabel. Rør ikke det beskadigede kabel og fjern ledningen fra stikkontakten, hvis kablet beskadiges under brugen. Beskadigede kabler øger risikoen for elektrisk stød.
8. Når du bruger en mikser til vådt materiale, skal du undgå, at det sprøjter på motoren.
9. Maskinværktøj, der bruges udendørs, skal forbindes via en fejlstømsafbryder (RCD, Residual Current Device).

#### SPECIFIKATIONER

Model	UM16VST		UM12VST	
Spænding (per område)*	230V ~			
Optagen effekt	1500 W*		1100 W*	
Hastigheder	1	2	1	2
Omdr. ubelastet	150 – 300 min <sup>-1</sup>	300 – 650 min <sup>-1</sup>	150 – 300 min <sup>-1</sup>	300 – 650 min <sup>-1</sup>
Omrører	160 mm		120 mm	
Vægt (uden ledning)	5,6 kg		5,4 kg	

\*Kontroller navnepladen på produktet, da der kan være forandring afhængig af område.

#### STANDARD TILBEHØR

- (1) Omrører 160mm (UM16VST) eller 120mm (UM12VST) ..... 1  
 (2) Skruenøgle ..... 2  
 (3) Et sæt ekstra kulbørster ..... 1  
 Ret til ændringer i tillbehøret forbeholdes.

#### ANVENDELSE

Blanding af pulveriserede byggemateriale såsom mørtel, puds, klæbestoffer samt opløsningfri maling, fernis og lignende substanser.

#### FØR IBRUGTAGNING

1. **Strømkilde**  
 Undersøg om netspændingen svarer til den på navnepladen angivne spænding.
2. **Afbryder**  
 Forvis Dem altid om, at kontakten står i OFF-position, før stikket sættes i kontakten. Hvis stikket sættes i, medens kontakten står på ON, vil maskinen øjeblikkelig begynde at arbejde, hvilket let vil kunne føre til alvorlige ulykker.

3. **Forlængerledning**  
 Hvis strømkilden er langt fra arbejdsfeltet, skal der anvendes en forlængerledning af korrekte dimensioner og kapacitet. Brug ikke længere forlængerledning end nødvendigt.
4. **Montering og demontering af omrører (Fig. 2) ADVARSEL**  
 For at undgå alvorlige ulykker, skal du kontrollere, at kontakten er i SLUKKET position og ledningen fjernet fra stikkontakten.
- (1) Skru omrøreren fast på akslen. Hold akslen fast med en skruenøgle og drej omrøreren med en anden skruenøgle i urets retning (set forfra). Stram derefter til.
- (2) Omrøreren demonteres i modsat orden.
5. **Skift mellem høj hastighed/lav hastighed**  
 Før der ændres hastighed, skal det checkes, at vælgeren er i FRA-indstillingen, og at maskinen er standset helt. Hastigheden kan ændres ved at rotere gearskift-drejeknappen som angivet med pilen på Fig. 3. Tallet "1" indgraveret i maskinen skaft angiver lav hastighed, og tallet "2" angiver høj hastighed.  
 Hvis det er svært at dreje gearskift-drejeknappen, drejes akselen let i én retning, hvorefter gearskift-drejeknappen drejes igen.

## KORREKT BRUG

### 1. Anvendelse af kontakten (Fig. 4)

- Når trykkeren trykkes ind, vil værktøjet begynde at rotere. Når trykkeren slippes, vil værktøjet standse.
- Hvis der trækkes i trykkeren og stopperen trykkes ind, vil den aktiverede tilstand blive opretholdt, hvilket er praktisk ved uafbrudt arbejde. Når værktøjet afbrydes, kan stopperen afbrydes ved at man igen trækker i trykkeren.

### 2. Indstilling af hastighed

Den ønskede omdrejningshastighed kan forvælges med hastighedskontrolrejeknappen. (Fig. 5)

## VEDLIGEHOLDELSE OG EFTERSYN

### 1. Opbevaring og rengøring

Når mikseren ikke anvendes, skal den opbevares tørt, og motoren skal vende opad.

Når mikseren rengøres, skal du undgå, at der kommer vand eller væske i motoren.

### 2. Eftersyn af monteringskruerne

Efterse regelmæssigt alle monteringskruer og sørg for at de er ordentligt strammet. Er nogen af skruerne løse, bør de strammes øjeblikkeligt. Forsømmelse i så henseende kan medføre alvorlig risiko.

### 3. Vedligeholdelse af motoren

Motor delen er værktøjets hjerte. Sørg for, at denne ikke beskadiges og holdes fri for fugt og olie.

### 4. Eftersyn af kulbørsterne

Maskinen anvender kulbørster, som er sliddele. Da en udslidt kulbørste kan forårsage maskinskade, udskift kulbørsterne når de er slidt ned til slidgrænsen. Hold desuden altid kulbørsterne rene og sørg for, at de glider frit i kulholderne.

### ADVARSEL

Når kulbørsterne skiftes ud med nye, skal der altid anvendes originale Hitachi kulbørster med det nummer, som er specificeret i tegningen.

### 5. Udskiftning af kulbørster

Afmonter børstehætten med en kærvskruetrækker. Kulbørsten kan herefter nemt fjernes.

### 6. Liste over reservedele

#### FORSIGTIG

Reparationer, modifikationer og eftersyn af Hitachi el-værktøj skal udføres af et autoriseret Hitachi service-center. Denne liste over reservedele vil være nyttig, når værktøj indleveres til det autoriserede Hitachi service-center til reparation eller anden vedligeholdelse.

Ved anvendelse og vedligeholdelse af el-værktøj skal de sikkerhedsregler og standarder, som gælder i hvert enkelt land, nøje overholdes.

#### MODIFIKATIONER

Hitachi el-værktøj undergår konstant forbedringer og modifikationer, så teknologiske nyheder hele tiden kan inkorporeres.

Som et resultat heraf kan nogle dele ændres uden varsel.

#### BEMÆRK

Grundet HITACHI's løbende forskning og udvikling, kan bemeldte specifikationer ændres uden forudgående varsel.

## Information om luftbåren støj og vibration

De målte værdier er fastsat i overensstemmelse med EN60745 og afgives i overensstemmelse med ISO 4871.

Det afmålte A-vægtede lydniveau: 104 dB(A)

Det afmålte lydtryksniveau: 93 dB(A)

Usikkerhed KpA: 3 dB (A)

Brug høreværn.

De samlede vibrationsværdier (treaksiel vektorsum) bestemt i overensstemmelse med EN60745.

Ingen belastning:

Vibrationsemissionsværdi  $a_h = 2,7 \text{ m/s}^2$

Usikkerhed K = 1,5 m/s<sup>2</sup>

Den angivne totale vibrationsværdi er målt i henhold til en standardiseret testmetode og kan anvendes til at sammenligne et værktøj med et andet.

Den kan også anvendes ved en indledningsvis vurdering af eksponeringen.

#### ADVARSEL

○ Vibrationsemissionsværdien kan ved reelt brug af el-værktøjet afvige fra den angivne alt værdi, afhængig af hvordan værktøjet anvendes.

○ For at identificere sikkerhedsforanstaltningerne til beskyttelse af brugeren, er der foretaget en vurdering af eksponeringen ved brug under virkelige forhold (hvor der er taget højde for alle dele af betjeningscyklussen, som fx når værktøjet er slukket, og når det kører i tomgang, udover tiden hvor der trykkes på aftrækkeren).

## GENERELLE SIKKERHETSFORHOLDSREGLER FOR ELEKTROVERKTØY

### ⚠ ADVARSEL

Les alle advarsler og sikkerhetsinstruksjoner.

Hvis du ikke følger alle advarsler og instruksjoner kan bruk av utstyret resultere i elektrisk støt, brann og/eller alvorlig personskade.

Ta vare på alle varsler og instruksjoner for fremtidig bruk.

Betegnelsen "elektroverktøy" i advarslene henviser både til elektrisk elektroverktøy (med ledning) og batteridrevet elektroverktøy.

#### 1) Sikret arbeidsområde

- a) Hold arbeidsområdet ryddig og godt belyst.

Uryddige eller mørke arbeidsområder kan føre til ulykker.

- b) Bruk aldri elektroverktøy på steder med fare for eksplosjon, slik som i nærheten av brennbare væsker, gass eller støv.

Støv eller gasser kan antennes av gnister fra elektroverktøyet.

- c) La aldri barn eller andre personer stå i nærheten når du bruker et elektroverktøy.

Du kan bli forstyrret og miste kontroll over verktøyet.

#### 2) Elektrisk sikkerhet

- a) Kontakten på elektroverktøyet må passe med veggkontakten den skal settes i.

Du må aldri tilpasse støpslet på noen måte.

Bruk aldri en adapter sammen med et jordet elektroverktøy.

Et originalt støpsel som passer med veggkontakten vil redusere faren for elektrisk støt.

- b) Unngå å komme i kontakt med jodede overflater slik som rør, radiatorer, komfyrer og kjøleskap.

Faren for elektrisk støt vil være større dersom du er jordet.

- c) La aldri elektroverktøyet utsettes for regn eller fuktighet.

Dersom det kommer vann inn i elektroverktøyet kan det resultere i elektrisk støt.

- d) Ikke skad ledningen. Bruk aldri ledningen til å bære eller trekke elektroverktøyet. Trekk ikke støpslet ut av veggkontakten ved bruk av ledningen.

Hold ledningen unna varmekilder, olje, skarpe kanter eller bevegelige deler.

Dersom ledningen er skadd eller vridd kan det resultere i elektrisk støt.

- e) Hvis elektroverktøyet skal brukes utendørs må du alltid bruke en skjøteledning som er spesielt beregnet for utendørs bruk.

Bruk av riktig skjøteledning vil redusere faren for elektrisk støt.

- f) Hvis bruk av elektroverktøyet i et fuktig område ikke kan unngås, bruk et strømuttak med jordfeilbryter.

Bruk av jordfeilbryter reduserer faren for elektrisk sjokk.

#### 3) Personlig sikkerhet

- a) Vær påpasselig, se hva du gjør, og bruk sunn fornuft når du bruker et elektroverktøy.

Du må aldri bruke et elektroverktøy når du er sliten eller trett, eller dersom du er påvirket av narkotiske stoffer, alkohol eller medisiner.

Når du bruker et elektroverktøy vil kun et par sekunders uoppmerksomhet kunne føre til alvorlige personskader.

- b) Bruk verneutstyr. Ha alltid på deg vernebriller.

Hvis du bruker verneutstyr slik som masker, sklislire vernesko, hjelm og hørselsvern vil dette redusere faren for personskade.

- c) Forhindre utilsiktet start av elektroverktøyet. Pass på at bryteren er slått av før verktøyet kobles til veggkontakten og/eller batteriet og før verktøyet løftes eller bæres.

Hvis du holder fingeren på bryteren når du bærer elektroverktøyet, eller dersom bryteren er slått på når det er koblet til en strømkilde kan det oppstå ulykker.

- d) Fjern eventuelle justeringsnøkler eller skrunøkler før du slår på elektroverktøyet.

Dersom en justeringsnøkkel eller skrunøkkel er festet til en roterende del på elektroverktøyet når det startes, kan det føre til personskade.

- e) Ikke strekk eller len deg for langt når du bruker verktøyet. Pass på at du står stødig og har god balanse til enhver tid.

Dette vil gi deg bedre kontroll over elektroverktøyet i uventede situasjoner.

- f) Ha på deg riktig tøy. Bruk ikke løse klær eller smykker. Hold hår, klær og hansker unna bevegelige deler.

Løse klær, smykker eller langt hår kan vikle seg inn i de bevegelige delene.

- g) Hvis verktøyet leveres med en støvsamler eller annet oppsamlingsutstyr, må du passe på at disse monteres og brukes på riktig måte.

Bruk av støv oppsamler kan redusere støv relaterte farer.

#### 4) Bruk og vedlikehold av elektroverktøy

- a) Ikke overbelast elektroverktøyet. Bruk riktig verktøy til arbeidet du skal utføre.

Riktig verktøy vil gjøre arbeidet lettere og tryggere uten at verktøyet overbelastes.

- b) Ikke bruk elektroverktøyet dersom av/på-knappen ikke virker.

Det er farlig å bruke elektroverktøy som ikke kan kontrolleres ved bruk av av/på-knappen. Verktøyet må da repareres.

- c) Trekk ledningen på elektroverktøyet ut fra veggkontakten og/eller fjern batteriet før du justerer eller skifter deler på verktøyet, eller før det oppbevares.

Dette vil redusere faren for at verktøyet starter uventet.

- d) Oppbevar elektroverktøyet utilgjengelig for barn og la aldri personer som ikke er kjent med verktøyet eller som ikke har lest igjennom disse instruksjonene bruke elektroverktøyet.

Elektroverktøy er farlig hvis det brukes av uerfarne personer.

- e) Vedlikehold av elektroverktøy. Kontroller at ingen bevegelige deler har låst seg, er feiljustert, knekt, eller har andre skader som kan påvirke bruk av verktøyet.

Hvis elektroverktøyet er skadd må det repareres før det brukes.

Mange ulykker oppstår på grunn av dårlig vedlikehold av verktøy.

**f) Hold skjæreverktøy skarpt og rent.**

*Riktig vedlikehold av skjæreverktøy med skarpe kanter/blader vil redusere faren for at de låser seg, samtidig som de vil være lettere å kontrollere.*

**g) Bruk elektroverktøyet, ekstrautstyr, bor osv. i samsvar med disse instruksjonene, og ta alltid arbeidsoppgavene og arbeidsforholdene med i betraktning.**

*Hvis elektroverktøyet brukes til andre operasjoner enn det det er beregnet for, kan det oppstå farlige situasjoner.*

**5) Service**

**a) La et kvalifisert serviceverksted som kun bruker originale reservedeler utføre service på elektroverktøyet.**

*Dette vil forsikre at elektroverktøyet sikkerhet opprettholdes.*

**FORSIKTIG**

La aldri barn eller helsesvake personer stå i nærheten. Oppbevar verktøy utilgjengelig for barn og helsesvake personer når det ikke er i bruk.

**FORHOLDSREGLER VED BRUK AV VERKTØYET**

1. Verktøyet må ikke brukes med eksplosive materialer (for eksempel lettantennelige løsemidler). Verktøyet kan avgis gnister som kan antenne gasser.
2. Hvis du mister verktøyet oppi materialet som det røres i, må du umiddelbart trekke ut ledningen og få en autorisert servicetekniker til å undersøke verktøyet.

Hvis materiale har trengt inn i verktøyet, kan verktøyet bli skadet og du kan få elektrisk støt.

**3. Når du bruker verktøyet, må du holde det godt med begge hender og stå i en stabil posisjon.**

Det er tryggest å bruke begge hender når du bruker verktøyet.

**4. Du må ikke arbeide med materialer som inneholder asbest.**

*Asbest er kreftfremkallende.*

**5. Pass på å beskytte deg når det kan komme helseskadelig, antennelig eller eksplosivt støv fra materialene du jobber med.**

For eksempel: Noe støv blir regnet for å være kreftfremkallende.

Bruk beskyttelsesmaske og støvutsuger når dette er tilgjengelig.

**6. Du må alltid vente til verktøyet har stanset helt før du setter det ned.**

Redskapet som er satt i, kan kile seg fast slik at du kan miste kontrollen over verktøyet.

**7. Du må aldri bruke verktøyet hvis ledningen er ødelagt. Du må ikke berøre den ødelagte ledningen eller trekke ut støpselet hvis ledningen blir ødelagt under arbeid.**

Ødelagte ledninger kan gi større risiko for elektrisk støt.

**8. Når du bruker blandemaskinen med vått materiale, må du unngå at det spruter opp i motoren.**

**9. Hvis verktøyet brukes utendørs, må du koble det til en jordfeilbryter.**

**TEKNISKE DATA**

Model	UM16VST		UM12VST	
Spenning (etter områder)*	230V ~			
Opptatt effekt	1500 W*		1100 W*	
Endre hastighet	1	2	1	2
Tomgangshastighet	150 – 300 min <sup>-1</sup>	300 – 650 min <sup>-1</sup>	150 – 300 min <sup>-1</sup>	300 – 650 min <sup>-1</sup>
Rørespade	160 mm		120 mm	
Vekt (u/ledning)	5.6 kg		5.4 kg	

\* Sjekk produktets dataskilt da spesifikasjonene kan variere avhengig av hvor produktet selges.

**STANDARD TILBEHØR**

- (1) Rørespade 160 mm (UM16VST) eller 120 mm (UM12VST) ..... 1  
 (2) Nøkkel ..... 2  
 (3) 1 reservebørste i karbon ..... 1  
 Standard-tilbehør kan endres uten forvarsel.

**BRUKSOMRÅDER**

Blande pulveriserte bygningsmaterialer som mørtel, gips, lim eller maling uten løsemidler, lakk og lignende stoffer.

**FØR BRUKEN STARTER**

**1. Strømkilde**

Pass på at strømkilden som skal benyttes stemmer overens med som er angitt på dataskiltet.

**2. Strømbryter**

Pass på at bryteren er slått av (OFF) ved tilkobling til stikkontakt. Begynner maskinen å arbeide med en gang kan det føre til alvorlige ulykker.

**3. Skjøteledning**

Bruk en skjøteledning med en tilstrekkelig tykkelse og merkekapasitet, når arbeidsområdet er fjernet fra strømkilden. Skjøteledningen må være så kort som mulig.

**4. Slik setter du på og tar av rørespaden (Fig. 2)**

**FORSIKTIG**

For å unngå alvorlige skader må du passe på at bryteren står i OFF (AV)-posisjon og at verktøyet ikke er koblet til strømmettet.

- (1) Skru rørespaden på spindelen. Hold spindelen på plass med en skiftenøkkel og vri rørespaden med klokken med en annen skiftenøkkel (sett forfra). Stram godt.
- (2) Du tar av rørespaden ved å følge fremgangsmåten som er beskrevet ovenfor, i motsatt rekkefølge.

## 5. Bytte mellom høy og lav fart

Før du endrer fart, må du passe på at bryteren står i OFF (AV)-posisjon og at verktøyet har stoppet helt. Du endrer hastighet ved å vri på girhjulet som vist på **Fig. 3**. "1"-tallet som er inngravert på verktøyet, indikerer lav hastighet, og "2" indikerer høy hastighet. Hvis det er tungt å vri på girhjulet, kan du vri spindelen litt i en hvilken som helst retning og så vri på girhjulet igjen.

## HVORDAN BRUKE MASKINEN

### 1. Bryter (Fig. 4)

- Når startbryteren trykkes inn, roterer verktøyet. Når startbryteren slippes, stopper verktøyet.
- Hvis du drar i håndtaket samtidig som du trykker på låseknappen, vil verktøyet gå kontinuerlig. Når du vil skru av verktøyet, kan du deaktivere låseknappen ved å trykke på utløseren igjen.

### 2. Justere hastigheten

Du kan stille inn rotasjons hastigheten på forhånd med hastighetskontrollen. (**Fig. 5**)

## VEDLIKEHOLD OG INSPEKSJON

### 1. Oppbevaring og rengjøring

Når blandevertøyet ikke er i bruke, bør det oppbevares på et tørt sted med motordelen pekende oppover. Når du gjør rent blandevertøyet, må du passe på at vann eller annen væske ikke kommer inn i motoren.

### 2. Inspeksjon av monteringskruene

Kontroller alle monteringskruene regelmessig og pass på at de er skikkelig skrudd til. Hvis noen av skruene er løse, må de skruss til omgående. Hvis dette ikke gjøres kan det forårsake alvorlige skader.

### 3. Vedlikehold av motoren

De viklede motordelene er selve "hjertet" i et elektrisk verktøy.

Hold nøye kontroll med at viklinger ikke er skadet og/eller våte av olje eller vann.

### 4. Inspeksjon av kullbørstene

Motoren forbruker kullbørster. Da en utslitt kullbørste kan resultere i motorproblemer, må en kullbørste skiftes ut før den blir helt nedslitt eller egynner å nærme seg slitegrensen. Kullbørstene må dessuten alltid holdes rene og det må passes på at de beveger seg fritt i børsteholderen.

### FORSIKTIG

Når kullbørstene skiftes ut med nye, må det bare benyttes originale kullbørster fra Hitachi med nummer som spesifisert på tegningen.

### 5. Skifting av kullbørster

Demonter børstedekslet. Deretter kan kullbørstene tas enkelt ut.

### 6. Liste over servicedeler

### FORSIKTIG

Reparasjoner, modifikasjoner og inspeksjon av Hitachi elektroverktøy må utføres av et Hitachi autorisert serviceverksted.

Denne dellisten er behjelpelig hvis den leveres inn sammen med verktøyet til et Hitachi autorisert serviceverksted når reparasjoner eller annet vedlikeholdsarbeid kreves.

Sikkerhetsregler og normer som gjelder for det enkelte land, må overholdes ved drift og vedlikehold av elektroverktøy.

## MODIFIKASJONER

Hitachi elektroverktøy er under konstant utbedring og modifisering for å inkorporere de siste nye teknologiske fremskritt.

Følgelig vil enkelte deler kunne endres uten forvarsel.

## NB

På grunn av HITACHI's kontinuerlige forsknings og utviklings-program kan oppgitte spesifikasjoner forandres uten ytterligere varsel.

### Informasjon angående luftstøy og vibrasjon.

De målte verdiene ble fastsatt i samsvar med EN60745 og ISO 4871.

Målt A-vektet lydeffektnivå: 104 dB(A)

Målt A-vektet lydtryknivå: 93 dB(A)

Usikkerhet KpA: 3 dB(A)

Bruk hørselvern.

Total vibrasjonsverdi (triax vektor sum) beregnet ifølge EN60745.

Ingen belastning:

Vibrasjons emisjonsverdi  $a_{rh}$  = 2,7 m/s<sup>2</sup>

Usikkerhet K = 1,5 m/s<sup>2</sup>

Den totale vibrasjonsverdien som er opplyst, er målt i henhold til en standard testmetode og kan brukes til å sammenligne et verktøy med et annet.

Det kan også brukes som en foreløpig estimering av eksponering.

### ADVARSEL

Vibrasjons emisjons fra elektroverktøyet kan variere fra den opplyste totalverdien avhengig av hvordan maskinen brukes.

Treff sikkerhetstiltak basert på hvor utsatt brukeren vil være under de gjeldende bruksforholdene, for å beskytte brukeren (vurdert i forhold til bruken, som hvor mange ganger maskinen er slått på eller av og tomgangskjøring i tillegg til aktiv bruk).

## YLEISET SÄHKÖTYÖKALUN TURVALLISUUTTA KOSKEVAT VAROITUKSET

### VAROITUS

Lue kaikki turvallisuutta koskevat varoitukset ja kaikki ohjeet.

Jos varoituksia ja ohjeita ei noudateta, on olemassa sähköiskun, tulipalon ja/tai vakavan henkilövahingon vaara.

Säästä kaikki varoitukset ja ohjeet tulevaa käyttöä varten.

Varoituksissa mainittu sähkötyökalu-sana merkitsee verkkovirtakäyttöistä (johdollista) sähkötyökalua tai akkukäyttöistä (johdotonta) sähkötyökalua.

### 1) Työskentelyalueen turvallisuus

- Pitä työskentelypaikka siistinä ja hyvin valaistuna.**  
*Onnettomuuksia sattuu herkemmin epäsiisteissä tai pimeissä ympäristöissä.*
- Älä käytä sähkötyökaluja räjähdysvaarallisissa paikoissa, esimerkiksi paikoissa, joissa on herkästi syttyviä nesteitä, kaasuja tai pölyä.**  
*Sähkötyökaluista lähtevät kipinät voivat sytyttää pölyn tai höyryt.*
- Pidä lapset ja sivulliset poissa käyttäessäsi sähkötyökalua.**  
*Keskittymisen puute voi aiheuttaa herpaantumisen.*

### 2) Sähköturvallisuus

- Sähkötyökalun pistoke on yhdistettävä oikeanlaiseen pistorasiaan.**  
**Älä muunna pistoketta mitenkään.**  
**Älä käytä jakorasioita yhdessä maadoitettujen sähkötyökalujen kanssa.**  
*Muuntelemattomien pistokkeiden ja oikeiden pistorasioiden käyttäminen vähentää sähköiskun vaaraa.*
- Vältä koskettamasta maadoituksessa käytettäviin pintoihin, kuten putkiin, lämpöpattereihin ja jäähdityslaitteisiin.**  
*Maadoitetun pinnan koskettaminen lisää sähköiskun vaaraa.*
- Älä altista sähkötyökaluja sateelle tai kosteudelle.**  
*Sähköiskun vaara lisääntyy, jos sähkötyökaluun pääsee vettä.*
- Älä käytä johtoa väärin. Älä kanna tai vedä sähkötyökalua tai irrota pistoketta vetämällä johdosta.**  
**Pidä johto erillään kuumuudesta, öljystä, terävistä kulumista tai liikkuvista osista.**  
*Sähköjohdon vahingoittuminen tai sotkeutuminen lisää sähköiskun vaaraa.*
- Jos käytät sähkötyökalua ulkona, käytä ulkokäyttöön sopivaa jatkojohtoa.**  
*Ulkokäyttöön sopivan sähköjohdon käyttäminen vähentää sähköiskun vaaraa.*
- Jos sähkötyökalun käyttö kosteassa paikassa on välttämätöntä, käytä vikavirtalaitteella (RCD) suojattua virtalähdettä.**  
*RCD:n käyttö vähentää sähköiskun vaaraa.*

### 3) Henkilökohtainen turvallisuus

- Keskity työhön, ole huolellinen ja käytä sähkötyökalua harkiten.**  
**Älä käytä sähkötyökalua väsyneenä tai alkoholin, lääkkeiden tai huumeiden vaikutuksen alaisena.**  
*Keskittymisen herpaantuminen pieneksikin hetkeksi voi aiheuttaa vakavan henkilövahingon.*

- Käytä henkilökohtaisia suojavarusteita. Käytä aina suojalaseja.**  
*Suojavarusteiden kuten hengityssuojaimen, liukumattomien turvakenkien, kypärän ja kuulosuojaimien käyttö tarvittaessa vähentää henkilövahinkojen vaaraa.*
  - Estä koneen käynnistymisen vahingossa. Varmista, että virtakytkin on pois päältä-asennossa ennen yhdistämistä virtalähteeseen ja/tai paristoyksikköön sekä ennen työkalun nostamista tai kantamista.**  
*Sähkötyökalujen kantaminen, kun sormi on virtakytkimellä, tai virran kytkeminen sähkötyökaluihin, joiden virtakytkin on päällä, lisää onnettomuusriskiä.*
  - Poista säätöön tarvittavat avaimet sähkötyökalusta ennen sen käynnistämistä.**  
*Sähkötyökalun pyöriivän osaan jätetty avain voi aiheuttaa henkilövahingon.*
  - Älä kurkottele. Seiso aina vakaasti tasapainossa.**  
*Tällöin sähkötyökalua voi hallita oikein odottamattomissa tilanteissa.*
  - Käytä sopivia vaatteita. Älä käytä irtonaisia vaatteita tai koruja. Pidä hiukset, vaatteet ja käsineet poissa liikkuvista osista.**  
*Löysät vaatteet, korut ja pitkät hiukset voivat tarttua liikkuviin osiin.*
  - Jos laitteeseen voi yhdistää pölynsuodatus- ja keräyslisälaitteen, varmista, että ne yhdistetään ja että niitä käytetään oikein.**  
*Pölynkeräyksen käyttö voi vähentää pölyyn liittyviä vaaratilanteita.*
- 4) **Sähkötyökalujen käyttäminen ja niiden hoitaminen**
- Älä pakota sähkötyökalua. Käytä tarkoitukseen soveltuva sähkötyökalua.**  
*Oikea sähkötyökalu selviytyy tehtävästä paremmin ja turvallisemmin toimiessaan oikealla teholla.*
  - Älä käytä sähkötyökalua, jos se ei käynnisty tai sammuu virtakytkimestä.**  
*Sähkötyökalut, joita ei voi hallita virtakytkimen avulla, ovat vaarallisia. Ne on korjattava.*
  - Irrota pistoke virtalähteestä ja/tai paristoyksikkö sähkötyökalusta ennen säätöjen tekemistä, osien vaihtamista tai sähkötyökalujen asettamista säilytykseen.**  
*Nämä ennakoivat turvatoimet vähentävät sähkötyökalun vahingossa tapahtuvan käynnistymisen vaaraa.*
  - Säilytä sähkötyökalut lasten ulottumattomissa. Älä anna sellaisten henkilöiden käyttää sähkötyökaluja, jotka eivät ole perehtyneet niihin tai näihin ohjeisiin.**  
*Sähkötyökalut ovat vaarallisia kouluttamattomien henkilöiden käsissä.*
  - Huolla sähkötyökalut. Tarkista liikkuvien osien kiinnitykset ja kohdistukset, osien eheys ja muut sähkötyökalujen toimintaan vaikuttavat tekijät.**  
**Jos sähkötyökalu vahingoittuu, korjauta se ennen käyttämistä.**  
*Puutteellisesti huolletut sähkötyökalut ovat aiheuttaneet useita onnettomuuksia.*
  - Pidä leikkuutyökalut terävinä ja puhtaina.**  
*Oikein huolletut leikkuutyökalut, joissa on terävät leikkuupinnat, tarttuvat harvemmin kiinni, ja niiden hallinta on helpompaa.*
  - Käytä sähkötyökalua, varusteita ja työkalun teriä jne. näiden ohjeiden mukaisesti ottaen samalla huomioon työskentelyolosuhteet ja tehtävä työ.**

Jos sähkötyökäluä käytetään toimintoihin, joihin sitä ei ole tarkoitettu, voi syntyä vaaratilanteita.

#### 5) Huolto

- a) Anna osaavan huoltoteknikon korjata sähkötyökäluä käyttäen alkuperäisiä osia vastaavia varaosia.  
Tämä pitää sähkötyökäluen turvallisena.

#### TURVATOIMET

Pida lapset ja mielentilaltaan epävakaa henkilöt poissa laitteen lähettäviltä.

Kun työkalua ei käytetä, se on säilytettävä poissa lasten ja mielentilaltaan epävakaiden henkilöiden ulottuvilta.

#### LAITTEEN KÄYTTÖÖN LIITTYVIÄ VAROITIMENPITEITÄ

- Älä käytä sähkötyökäluä tulenaroilla materiaaleilla (esim. helposti syttyvillä nesteillä).**  
Sähkötyökäluen kipinät saattavat sytyttää syntyvät höyryt.
- Mikäli sähkötyökälu tippuu sekoitettavaan aineeseen, irrota pistoke välittömästi ja tarkistuta työkalun kunto.**  
Sähkötyökäluun imeytynyt aine saattaa vahingoittaa sitä ja aiheuttaa sähköiskun.
- Ota tukeva asento ja pidä laitteesta kiinni molemmin käsin laitetta käyttäessäsi.**  
Sähkötyökäluen käyttö molemmin käsin takaa turvallisemman käytön.
- Älä työstä asbestia sisältäviä materiaaleja.**  
Asbesti on syöpää aiheuttava aine.
- Suojaudu sellaisia tilanteita varten, joissa työssä syntynyt pöly on terveydelle vaarallista, syttyvää tai räjähtävää.**  
Esimerkiksi: Jotkut pölyt aiheuttavat syöpää. Käytä pölynsuojanaamaria ja laitteeseen kiinnitettävää imuria.
- Odota, kunnes laite on täysin pysähtynyt ennenkuin lasket sen maahan.**  
Laitteen osa voi jumittua ja johtaa laitteen hallinnan menettämiseen.
- Älä koskaan käytä laitetta, jonka kaapeli on voittunut. Älä koske voittuneeseen kaapeliin tai vedä töpseliä pois seinästä käytön aikana, jos kaapeli on voittunut.**  
Voittuneet kaapelit lisäävät sähköiskun vaaraa.
- Kun sekoitat sekoittimessa märkää materiaalia, välttä moottoriosan altistumista roiskeille.**
- Yhdistä ulkona käytettävät laitteet vikavirtasuojajytkimen (RCD) kautta.**

#### TEKNISET TIEDOT

Malli	UM16VST		UM12VST	
Jännite (eroja maasta riippuen)*	230V ~			
Ottoteho	1500 W*		1100 W*	
Nopeudenvaihto	1	2	1	2
Kuormittamaton nopeus	150 – 300 min <sup>-1</sup>	300 – 650 min <sup>-1</sup>	150 – 300 min <sup>-1</sup>	300 – 650 min <sup>-1</sup>
Sekoitin	160 mm		120 mm	
Paino (ilman johtoa)	5,6 kg		5,4 kg	

\*Älä unohda tarkistaa tuotteen nimikilpeä, koska siinä saattaa olla eroja maasta riippuen.

#### VAKIOVARUSTEET

- Sekoitin 160mm (UM16VST) tai 120mm (UM12VST) ..... 1
  - Avain ..... 2
  - 1 ylimääräinen hiiliharjapari ..... 1
- Vakiovarusteita voidaan vaihtaa ilman eri ilmoitusta.

#### KÄYTTÖMAHDOLLISUUDET

Jauheamaisten rakennusmateriaalien, kuten muuraukslaasti, raappauslaasti, liisteri ja liuotinvapaiden maalien, lakkojen ja muiden sen kaltaisten aineiden sekoittamiseen.

#### ENNEN KÄYTTÖÄ OTETTAVA HUOMIOON

- Virtalähde**  
Varmista, että käytettävä voimanlähde vastaa tuotteen tyyppikilvessä ilmoitettuja vaatimuksia.
- Virrankatkaisin**  
Varmista, että kytkin on OFF-asennossa (pois päältä). Mikäli pistoke kytketään pistorasiaan koneen ollessa ON-asennossa, työkalu käynnistyy välittömästi ja aiheuttaa vaaratilanteen.

#### 3. Jatkojohto

Kun työskennellään kaukana voimalähteestä, käytä rittävän paksua ja tehokasta jatkojohtoa. Jotkojohdon tulisi olla niin lyhyt kuin vain käytännössä on mahdollista.

#### 4. Sekoittimen kiinnittäminen ja irrottaminen (kuva 2) VAROITUS

Välty vaarallisilta vahingoilta varmistamalla, että kytkin on POIS PÄÄLTÄ ja laitetta ei ole yhdistetty virtalähteeseen.

- Ruuvaa sekoitin akseliin. Pidä akseli paikoillaan avaimella ja käännä sekoitinta toisella avaimella myötäpäivään (edestäpäin katsottaessa). Kiristä hyvin.
- Sekoitin irrotetaan päinvastaisessa järjestyksessä.
- Vaihto suuresta nopeudesta pieneen nopeuteen**  
Tarkasta ennen nopeuden vaihtamista, että kytkin on POIS PÄÄLTÄ ja että laite on pysähtynyt kokonaan. Vaihda nopeutta kääntämällä vaihdeseäädintä **Kuvassa 3** olevan nuolen osoittamalla tavalla. Laitteen runkoon merkitty numero "1" merkitsee pientä nopeutta ja "2" suurta nopeutta. Jos vaihdeseäädintä on vaikea kääntää, käännä akselia hieman jompaankumpaan suuntaan ja yritä kääntää vaihdeseäädintä sitten uudelleen.

## KÄYTTÖ

### 1. Kytkimen toiminta (kuva 4)

- Kun kytkintä painetaan, työkalu pyörii. Kun kytkin vapautetaan, työkalu pysähtyy.
- Kun kytkintä painetaan ja samalla painetaan pysäytintä, laite pysyy kytkettynä, mikä on kätevää jatkuvassa käytössä. Kun työkalun virta halutaan katkaista, pysäytin vapautetaan painamalla kytkintä uudelleen.

### 2. Nopeuden säätö

Haluttu pyörintänopeus voidaan valita ennakkoon nopeussäätimellä. (kuva 5)

## HUOLTO JA TARKASTUS

### 1. Säilytys ja puhdistus

Kun sekoitin ei ole käytössä, varasto se kuivaan tilaan moottoriosaa ylöspäin.

Kun puhdistat sekoitinta, älä päästä vettä tai muuta nestettä moottoriosaan.

### 2. Kiinnitysruuvien tarkistus

Tarkista säännöllisesti kaikki kiinnitysruuvit ja varmista, että ne ovat tiukassa. Mikäli joku ruuveista on löystynyt, kiristä se välittömästi.

Laiminlyönti voi aiheuttaa vaaratilanteen.

### 3. Moottorin huolto

Moottorin käämi on sähkötyökalun "sydän". Huolehdi siitä, ettei käämi vahingoitu ja/tai kastu öljyyn tai veteen.

### 4. Hiiliharjojen tarkistus

Koneessa käytettävät hiiliharjat ovat kuluvia osia. Koska hyvin kuluneet hiiliharjat voivat aiheuttaa moottorihäiriöitä, vaihda vanhat hiiliharjat uusiin harjoihin, joissa on sama hiiliharjanumero. Lisäksi hiiliharjat on pidettävä aina puhtaina ja varmistettava, että ne pääsevät vapaasti liikkumaan harjapitimissä.

## VAROITUS

Kun vaihdat hiiliharjat uusiin, käytä aina aitoja Hitachi-hiiliharjoja, joissa on numero osoitettu piirroksessa.

### 5. Hiiliharjan vaihto

Irroita hiiliharja ruuvitaltalla. Hiiliharja on sitten helposti irroitettavissa.

### 6. Huolto-osalista

## HUOMAUTUS

Hitachi-sähkötyökalujen korjaukset, muutokset ja tarkastukset on teetettävä valtuutetussa Hitachi-huoltokeskuksessa.

Osalista on hyödyllinen, kun se annetaan yhdessä työkalun kanssa valtuutettuun Hitachi-huoltokeskukseen korjausta tai huoltoa pyydettyäessä.

Sähkötyökalujen käytössä ja huollossa on aina noudatettava kussakin maassa voimassa olevia turvaohjeita ja normeja.

## MUUTOKSET

Hitachi-sähkötyökaluja parannetaan ja muutetaan jatkuvasti niin, että niihin saadaan sisällytettyä uusin teknologia. Tästä johtuen jotkut osat saattavat muuttua ilman ennakoilmoitusta.

## HUOMAA

HITACHIn jatkuvasta tutkimus- ja kehitysohjelmasta johtuen edellä esitettyihin voi tulla muutoksia ilman ennakoilmoitusta.

## Tietoja ilmajälitteisestä melusta ja värinästä

Saavutetut mitta-arvot määritettiin EN60745-normin mukaan ja ilmoitettiin ISO 4871 -normin mukaan.

Mitattu A-painotteinen ääniteho: 104 dB (A)

Mitattu A-painotteinen äänipainearvo: 93 dB (A)

KpA-toleranssi: 3 dB (A)

Käytä kuulonsuojaimia.

Tärinän kokonaisarvot (kolmiakselivektorisumma) EN60745 mukaan määritettyinä.

Tyhjäkäynti:

Tärinäpäästöarvo **ah** = 2,7 m/s<sup>2</sup>

Epävarmuus K = 1,5 m/s<sup>2</sup>

Ilmoitettu värähelyn kokonaisarvo on mitattu standardien testausmenetelmien mukaisesti ja sitä voidaan käyttää työkalujen vertaamiseen keskenään.

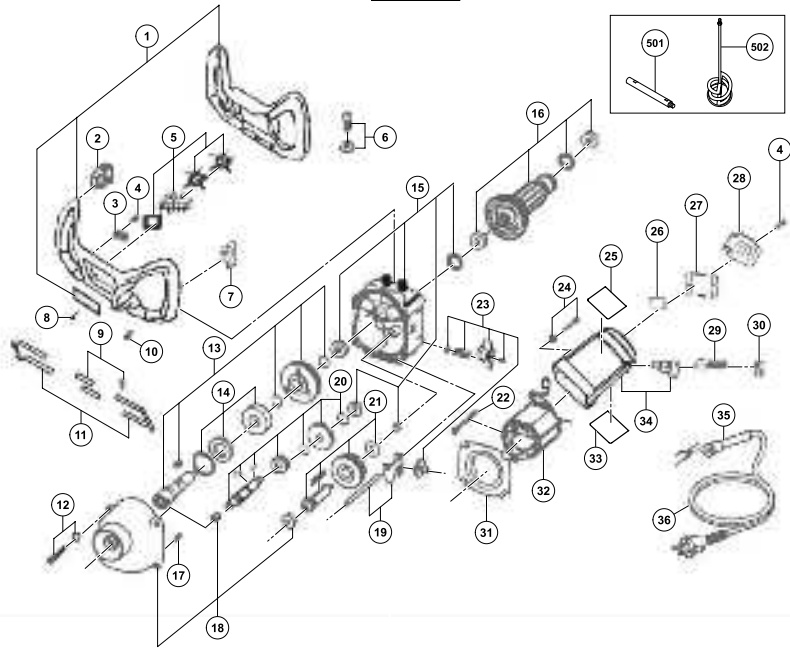
Sitä voidaan myös käyttää altistumisen alustavaan arviointiin.

## VAROITUS

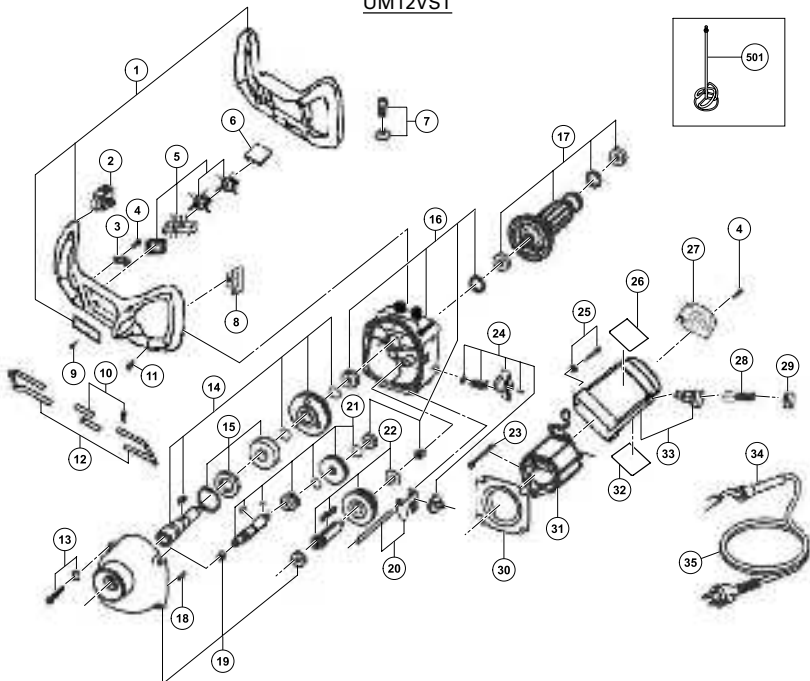
○ Tärinäpäästöarvo sähkötyökalun varsinaisen käytön aikana voi poiketa annetusta kokonaisarvosta työkalun käyttötavasta riippuen.

○ Käyttäjää suojaavien varoitimien, jotka perustuvat altistumisen arviointiin varsinaisessa käyttötilanteessa, määrittäminen. (ottaen huomioon käyttöjakson kaikki vaiheet kuten ajat, jolloin työkalu on kytketty pois päältä ja jolloin se on tyhjäkäynnissä, varsinaisen liipaisinajan lisäksi)

### UM16VST



### UM12VST





<p>English</p> <p><b><u>GARANTEE CERTIFICATE</u></b></p> <ol style="list-style-type: none"> <li>① Model No.</li> <li>② Serial No.</li> <li>③ Date of Purchase</li> <li>④ Customer Name and Address</li> <li>⑤ Dealer Name and Address (Please stamp dealer name and address)</li> </ol>	<p>Nederlands</p> <p><b><u>GARANTIEBEWIJS</u></b></p> <ol style="list-style-type: none"> <li>① Modelnummer</li> <li>② Serienummer</li> <li>③ Datum van aankoop</li> <li>④ Naam en adres van de gebruiker</li> <li>⑤ Naam en adres van de handelaar (Stempel a.u.b. naam en adres vande de handelaar)</li> </ol>
<p>Deutsch</p> <p><b><u>GARANTIESCHEIN</u></b></p> <ol style="list-style-type: none"> <li>① Modell-Nr.</li> <li>② Serien-Nr.</li> <li>③ Kaufdatum</li> <li>④ Name und Anschrift des Kunden</li> <li>⑤ Name und Anschrift des Händlers (Bitte mit Namen und Anschrift des Handlers abstempeln)</li> </ol>	<p>Español</p> <p><b><u>CERTIFICADO DE GARANTÍA</u></b></p> <ol style="list-style-type: none"> <li>① Número de modelo</li> <li>② Número de serie</li> <li>③ Fecha de adquisición</li> <li>④ Nombre y dirección del cliente</li> <li>⑤ Nombre y dirección del distribuidor (Se ruega poner el sello del distribuidor con su nombre y dirección)</li> </ol>
<p>Français</p> <p><b><u>CERTIFICAT DE GARANTIE</u></b></p> <ol style="list-style-type: none"> <li>① No. de modèle</li> <li>② No de série</li> <li>③ Date d'achat</li> <li>④ Nom et adresse du client</li> <li>⑤ Nom et adresse du revendeur (Cachet portant le nom et l'adresse du revendeur)</li> </ol>	<p>Português</p> <p><b><u>CERTIFICADO DE GARANTIA</u></b></p> <ol style="list-style-type: none"> <li>① Número do modelo</li> <li>② Número do série</li> <li>③ Data de compra</li> <li>④ Nome e morada do cliente</li> <li>⑤ Nome e morada do distribuidor (Por favor, carimbe o nome e morada do distribuidor)</li> </ol>
<p>Italiano</p> <p><b><u>CERTIFICATO DI GARANZIA</u></b></p> <ol style="list-style-type: none"> <li>① Modello</li> <li>② N° di serie</li> <li>③ Data di acquisto</li> <li>④ Nome e indirizzo dell'acquirente</li> <li>⑤ Nome e indirizzo del rivenditore (Si prega di apporre il timbro con questi dati)</li> </ol>	



# HITACHI

①	
②	
③	
④	
⑤	



## **Hitachi Power Tools Europe GmbH**

Siemensring 34, 47877 Willich 1, F. R. Germany  
Tel: +49 2154 49930  
Fax: +49 2154 499350  
URL: <http://www.hitachi-powertools.de>

## **Hitachi Power Tools Netherlands B. V.**

Brabanthaven 11, 3433 PJ Nieuwegein, The Netherlands  
Tel: +31 30 6084040  
Fax: +31 30 6067266  
URL: <http://www.hitachi-powertools.nl>

## **Hitachi Power Tools (U. K.) Ltd.**

Precedent Drive, Rooksley, Milton Keynes, MK 13, 8PJ,  
United Kingdom  
Tel: +44 1908 660663  
Fax: +44 1908 606642  
URL: <http://www.hitachi-powertools.co.uk>

## **Hitachi Power Tools France S. A. S.**

Prac del' Eglantier 22, rue des Crerisiens Lisses, C. E. 1541,  
91015 EVRY CEDEX, France  
Tel: +33 1 69474949  
Fax: +33 1 60861416  
URL: <http://www.hitachi-powertools.fr>

## **Hitachi Power Tools Belgium N.V. / S.A.**

Koningin Astridlaan 51, 1780 Wommel, Belgium  
Tel: +32 2 460 1720  
Fax: +32 2 460 2542  
URL <http://www.hitachi-powertools.be>

## **Hitachi Fercad Power Tools Italia S.p.A**

Via Retrone 49-36077, Altavilla Vicentina (VI), Italy  
Tel: +39 0444 548111  
Fax: +39 0444 548110  
URL: <http://www.hitachi-powertools.it>

## **Hitachi Power Tools Iberica, S.A.**

C / Migjorn, s/n, Poligono Norte, 08226 Terrassa,  
Barcelona, Spain  
Tel: +34 93 735 6722  
Fax: +34 93 735 7442  
URL: <http://www.hitachi-powertools.es>

## **Hitachi Power Tools Österreich GmbH**

Str. 7, Objekt 58/A6, Industriezentrum NÖ –Süd 2355  
Wiener Neudorf, Austria  
Tel: +43 2236 64673/5  
Fax: +43 2236 63373

## **Hitachi Power Tools Norway AS**

Kjeller Vest 7  
Postboks 124, 2007 Kjeller, Norway  
Tel: (+47) 6692 6600  
Fax: (+47) 6692 6650  
URL: <http://www.markt.no>

## **Hitachi Power Tools Sweden AB**

Rotebergsvagen 2B  
SE-192 78 Sollentuna, Sweden  
Tel: (+46) 8 598 999 00  
Fax: (+46) 8 598 999 40  
URL: <http://www.markt.se>

## **Hitachi Power Tools Denmark AS**

Lillebaeltsvej 90  
DK-6715 Esbjerg N, Denmark  
Tel: (+45) 75 14 32 00  
Fax: (+45) 75 14 36 66  
URL: <http://www.markt.dk>

## **Hitachi Power Tools Finland OY**

Tupalankatu 9  
FIN-15680 Lahti, Finland  
Tel: (+358) 20 7431 530  
Fax: (+358) 20 7431 531  
URL: <http://www.markt.fi>

<p><b>English</b></p> <p><u>EEC DECLARATION OF CONFORMITY</u></p> <p>We declare under our sole responsibility that this product is in conformity with standards or standardization documents EN60745, EN55014 and EN61000 in accordance with Directives 2004/108/EC and 2006/42/EC. This product also conforms to RoHS Directive 2011/65/EU. The European Standards Manager at Hitachi Koki Europe Ltd. is authorized to compile the technical file.</p> <p>This declaration is applicable to the product affixed CE marking.</p>	<p><b>Português</b></p> <p><u>DECLARAÇÃO DE CONFORMIDADE CE</u></p> <p>Declaramos, sob nossa única e inteira responsabilidade, que este produto está de acordo com as normas ou documentos normativos EN60745, EN55014 e EN61000, em conformidade com as Diretrizes 2004/108/CE e 2006/42/CE. Este produto está também em conformidade com a Directiva RoHS 2011/65/EU. O Gestor de Normas Europeias da Hitachi Koki Europe Ltd. está autorizado a compilar o ficheiro técnico.</p> <p>Esta declaração se aplica aos produtos designados CE.</p>
<p><b>Deutsch</b></p> <p><u>EG-KONFORMITÄTSERKLÄRUNG</u></p> <p>Wir erklären mit alleiniger Verantwortung, dass dieses Produkt den Standards oder Standardisierungsdokumenten EN60745, EN55014 und EN61000 in Übereinstimmung mit den Direktiven 2004/108/EG und 2006/42/EG entspricht. Dieses Produkt stimmt auch mit der RoHS-Richtlinie 2011/65/EU überein. Der Manager für europäische Standards bei der Hitachi Koki Europe Ltd. ist zum Verfassen der technischen Datei befugt.</p> <p>Diese Erklärung gilt für Produkte, die die CE-Markierung tragen.</p>	<p><b>Svenska</b></p> <p><u>EF-DEKLARATION BETRÄFFANDE LIKFORMIGHET</u></p> <p>Vi tillkännagiver med eget ansvar att denna produkt överensstämmer med standard eller standardiserings dokument EN60745, EN55014 och EN61000 i enlighet med direktiven 2004/108/EF och 2006/42/EF. Denna produkt efterlever även RoHS-direktiv 2011/65/EU. Den europeiska standardansvarige på Hitachi Koki Europe Ltd. är auktoriserad att utarbeta den tekniska filen.</p> <p>Denna deklaration gäller för CE-märkningen på produkten.</p>
<p><b>Français</b></p> <p><u>DECLARATION DE CONFORMITE CE</u></p> <p>Nous déclarons sous notre seule et entière responsabilité que ce produit est conforme aux normes ou documents de normalisation EN60745, EN55014 et EN61000 en accord avec les Directives 2004/108/CE et 2006/42/CE. Ce produit est aussi conforme à la Directive RoHS 2011/65/EU. Le responsable des normes européennes d'Hitachi Koki Europe Ltd. est autorisé à compiler les données techniques.</p> <p>Cette déclaration s'applique aux produits désignés CE.</p>	<p><b>Dansk</b></p> <p><u>EF-OVERENSSTEMMELSESERKLÆRING</u></p> <p>Vi erklærer os fuldstændige ansvarlige for, at dette produkt modsvarer gældende standard eller standardiserings dokumenter EN60745, EN55014 og EN61000 i overensstemmelse med direktiver 2004/108/EF og 2006/42/EF. Dette produkt er også i overensstemmelse med RoHS direktiv 2011/65/EU. Chefen for europæiske standarder hos Hitachi Koki Europe Ltd. er autoriseret til at compilere den tekniske fil.</p> <p>Denne erklæring gælder produkter, der er mærket med CE.</p>
<p><b>Italiano</b></p> <p><u>DICHIARAZIONE DI CONFORMITÀ CE</u></p> <p>Dichiariamo sotto nostra responsabilità che questo prodotto è conforme agli standard o ai documenti sulla standardizzazione EN60745, EN55014 e EN61000 in conformità alle Direttive 2004/108/CE e 2006/42/CE. Il prodotto è inoltre conforme alla direttiva RoHS 2011/65/EU. Il Responsabile delle Norme Europee di Hitachi Koki Ltd. è autorizzato a compilare la scheda tecnica.</p> <p>Questa dichiarazione è applicabile ai prodotti cui sono applicati i marchi CE.</p>	<p><b>Norsk</b></p> <p><u>EF'S ERKLÆRING OM OVERENSSTEMMELSE</u></p> <p>Vi erklærer herved at vi påtar oss det fulle ansvar for at dette produktet er i overensstemmelse med normer eller standardiseringsdokumentene EN60745, EN55014 og EN61000 i samsvar med direktivene 2004/108/EF og 2006/42/EF. Dette produktet er også i samsvar med RoHS-direktivet 2011/65/EU. Lederen for europeiske standarder ved Hitachi Koki Europe Ltd. har fullmakt til å utarbeide det tekniske dokumentet.</p> <p>Denne erklæringen gjelder produktets påklistede CE-merking.</p>
<p><b>Nederlands</b></p> <p><u>EC VERKLARING VAN CONFORMITEIT</u></p> <p>Wij verklaren onder eigen verantwoordelijkheid dat dit product conform de richtlijnen of gestandardiseerde documenten EN60745, EN55014 en EN61000 voldoet aan de eisen van bepalingen 2004/108/EC en 2006/42/EC. Dit product voldoet ook aan de RoHS-richtlijn 2011/65/EU.</p> <p>De manager voor Europese normen van Hitachi Koki Europe Ltd. heeft de bevoegdheid tot het samenstellen van het technische bestand.</p> <p>Deze verklaring is van toepassing op producten voorzien van de CE-markeringen.</p>	<p><b>Suomi</b></p> <p><u>EY-ILMOITUS YHDENMUKAISUUDESTA</u></p> <p>Yksinomaisella vastuudella vakuutamme, että tämä tuote vastaa tai normitettuja dokumentteja EN60745, EN55014 ja EN61000 ohjeiden 2004/108/EY ja 2006/42/EY mukaisesti. Tämä tuote on myös RoHS-direktiivin (2011/65/EU) mukainen. Hitachi Koki Europe Ltd.:n eurooppalaisten standardien johtaja on valtuutettu laatimaan tekniset asiakirjat.</p> <p>Tämä ilmoitus sovelletaan tuotekohtaiseen CE-merkintään.</p>
<p><b>Español</b></p> <p><u>DECLARACIÓN DE CONFORMIDAD DE LA CE</u></p> <p>Declaramos bajo nuestra única responsabilidad que este producto está de acuerdo con las normas o con los documentos de normalización EN60745, EN55014 y EN61000, según indican las Directrices 2004/108/CE y 2006/42/CE. Este producto satisface también los requisitos establecidos por la Directiva 2011/65/EU (RoHS). El Jefe de Normas Europeas de Hitachi Koki Europe Ltd. está autorizado para recopilar archivos técnicos.</p> <p>Esta declaración se aplica a los productos con marcas de la CE.</p>	

Representative office in Europe  
**Hitachi Power Tools Europe GmbH**  
Siemensring 34, 47877 Willich 1, F. R. Germany

Technical file at:  
**Hitachi Koki Europe Ltd.**  
Clonshaugh Business & Technology Park, Dublin 17, Ireland

Head office in Japan  
**Hitachi Koki Co., Ltd.**  
Shinagawa Intercity Tower A, 15-1, Konan 2-chome,  
Minato-ku, Tokyo, Japan



29. 2. 2012

*F. Tashimo*

F. Tashimo  
Vice-President & Director