

Chicken coop 10X6FT

Dear customer,

Thank you for your support. If you have any questions or concerns, please don't hesitate to contact us. Our customer service team is always here to help and assist you in any way we can. Thank you again for choosing our chicken coop.

Street: 8 The Green Suite A

City: Dover State: DE

Post code: 19901

Phone: 3022415039/

6605538327

Email: easyhelpservice@yahoo.com

Scan the code on your phone and contact us via email.



sannwsg.com

After-sales phone service hours:

US Central Time: 19:00-23:00

Seattle time: 17:00-21:00






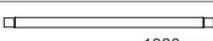


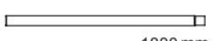

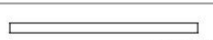



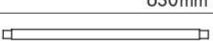



US Eastern Time: 20:00-00:00

Toronto time: 20:00-00:00

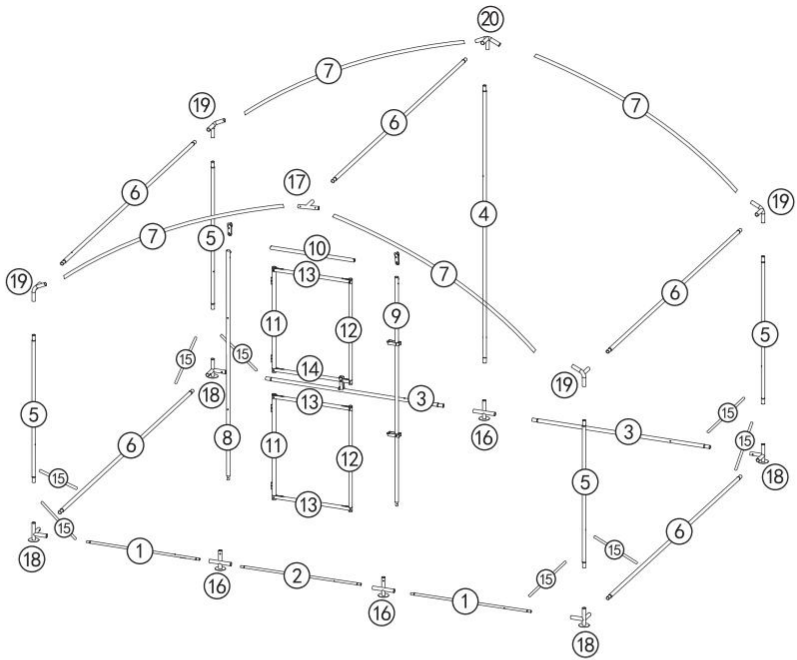
Germany time: 8:00-11:00

After-sales mailbox service time:
7*24 hours

Profile Bar

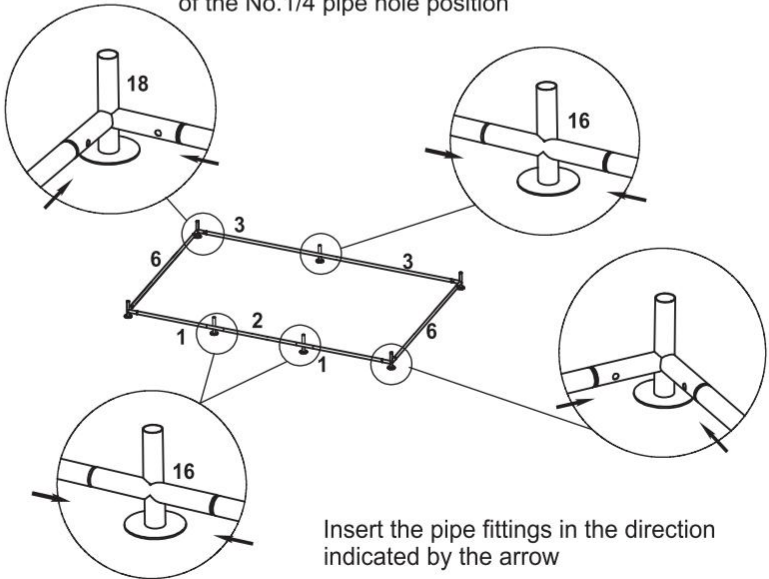
NO.	PART	Qty.
1	 1050mm	2
2	 565mm	1
3	 1380mm	2
4	 1860mm	1
5	 1050mm	4
6	 1880mm	5
7	 1550mm	4
8	 1880mm	1
9	 1880mm	1
10	 700mm	1
11	 870mm	2
12	 870mm	2
13	 630mm	3
14	 630mm	1
15	 500mm	8
16		3
17		1
18		4

NO.	PART	Qty.
19		4
20		1
23		16
24		2
25		3
26		29
27	 m6*25	16
28	 m6*35	13
29	 Elastic rope	20
30	 wire mesh	26
31	 Plastic zip ties	300
32	 Wrench	1
33	 Ground nail	12
34	 Textile	1
35	 glove	2
36	 M5*45	2



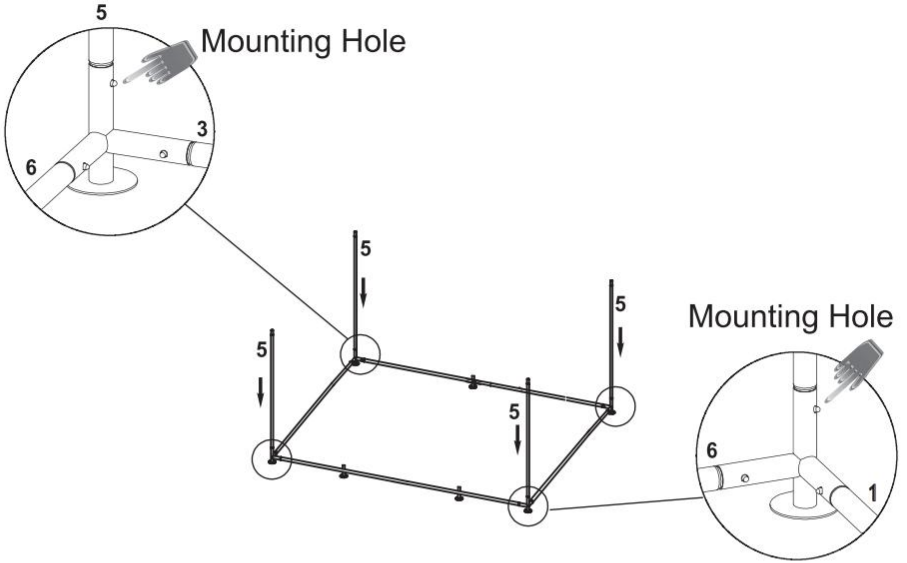
Step.1

Pay attention to the installation direction of the No.1/4 pipe hole position



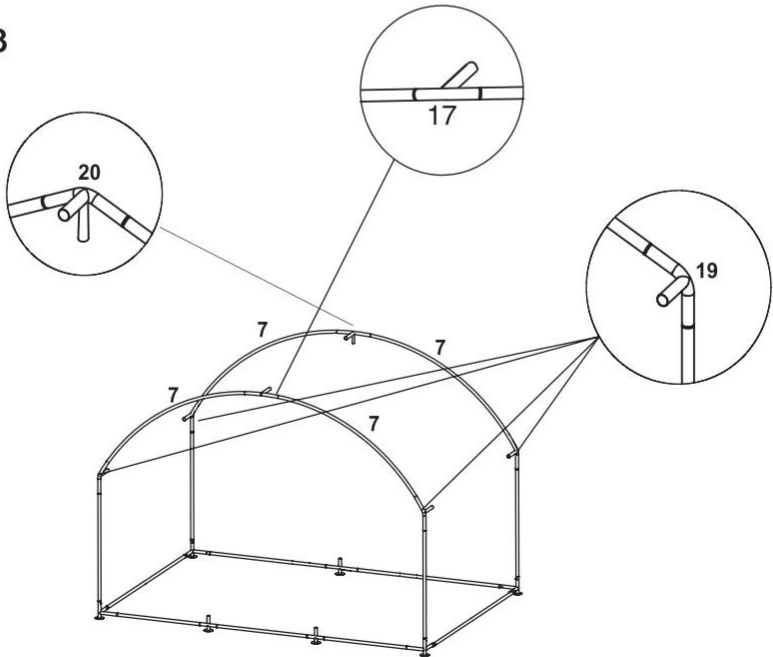
Insert the pipe fittings in the direction indicated by the arrow

Step.2

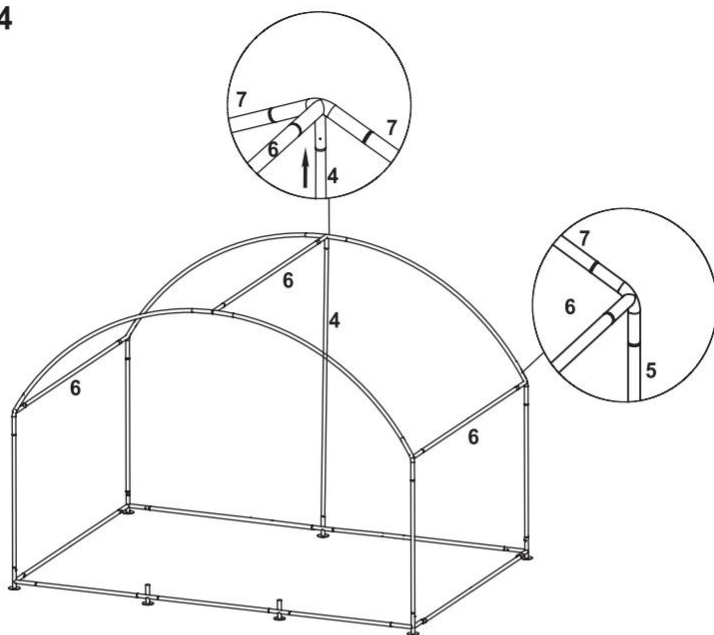


Insert the pipe fittings in the direction indicated by the arrow

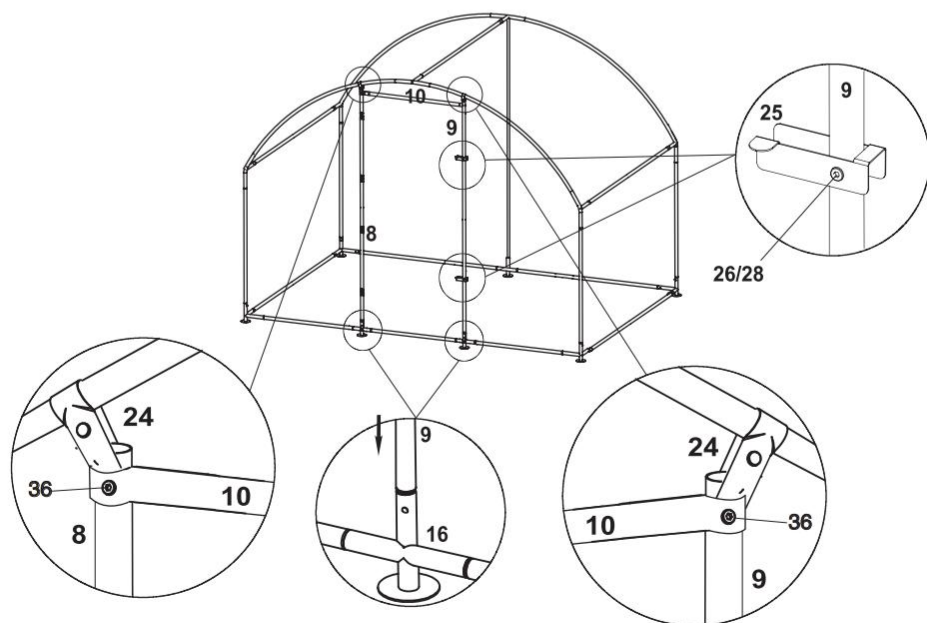
Step.3



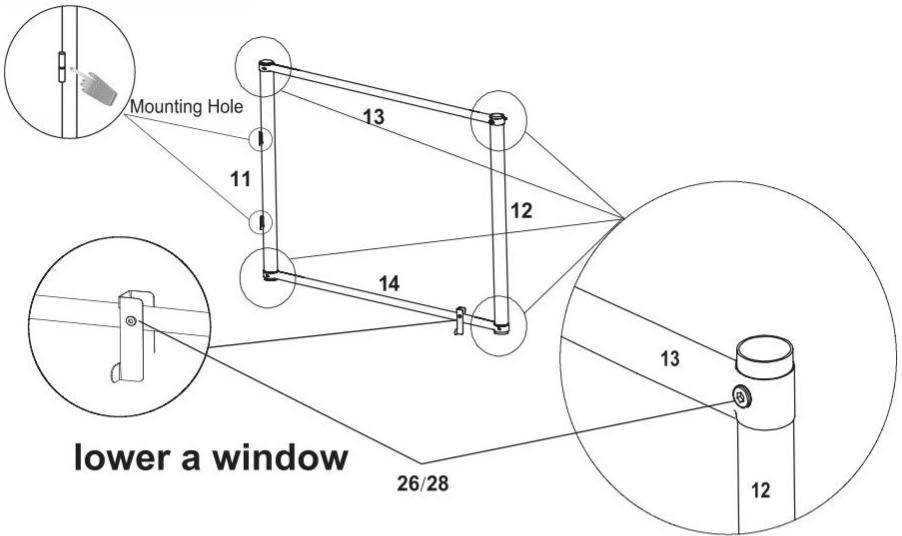
Step.4



Step.5



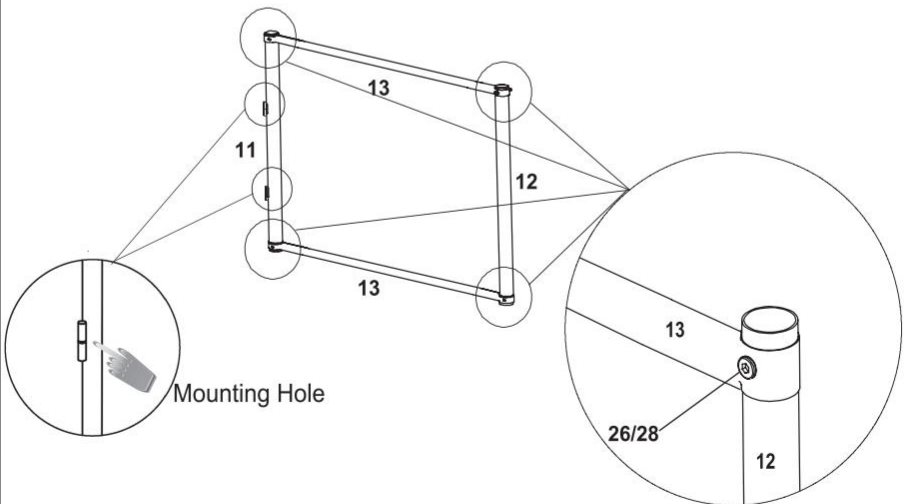
Step.6



lower a window

This part needs to be connected with screws and nuts

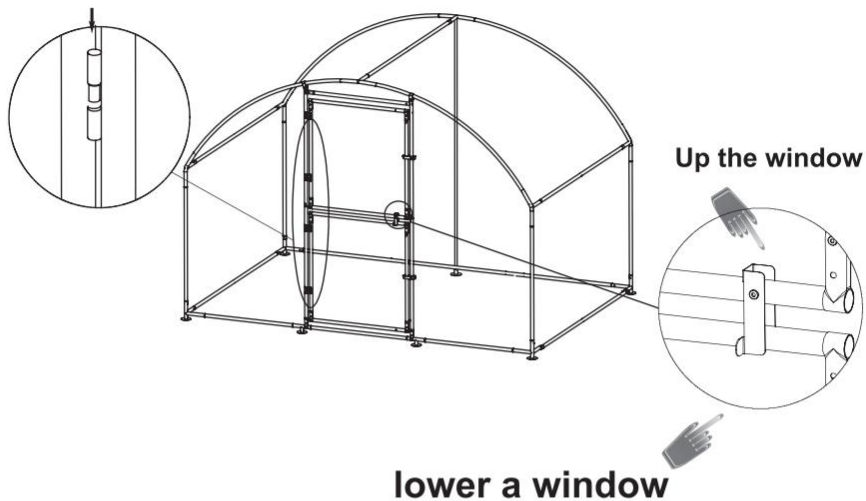
Step.7



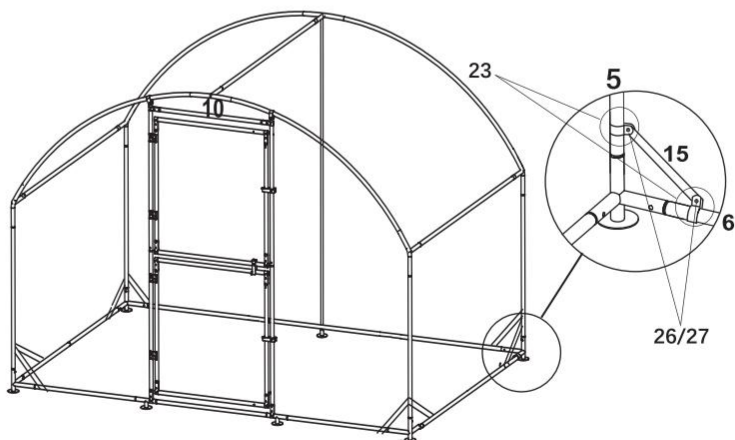
This part needs to be connected with screws and nuts

Step.8

Install into the upper and lower windows

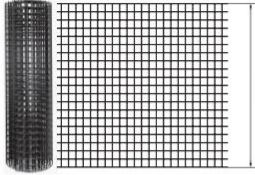


Step.9



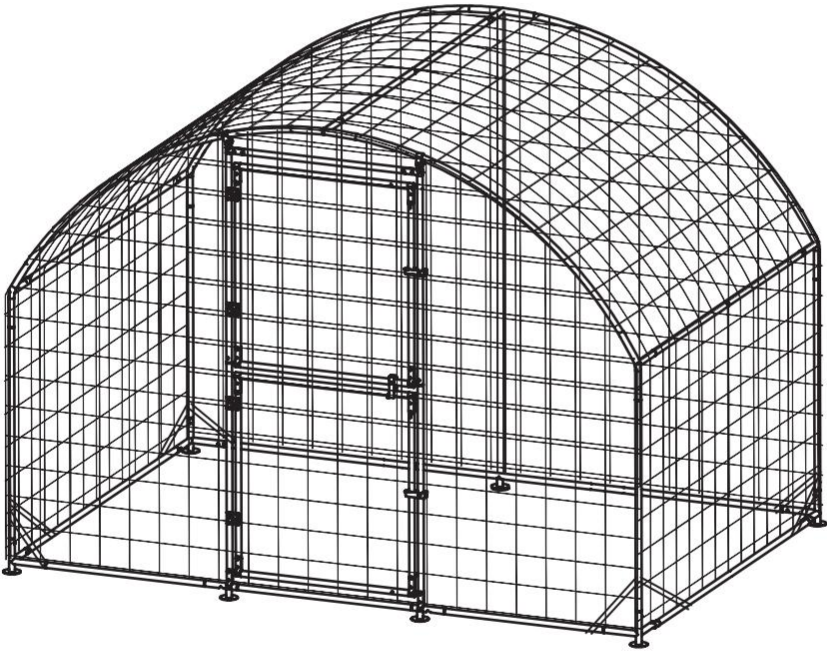
Step.10

Wire mesh diagram (the following diagram is for reference only, please refer to the actual measurement results) length 24M. The size we marked is MM.



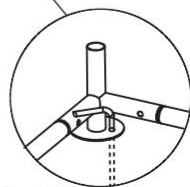
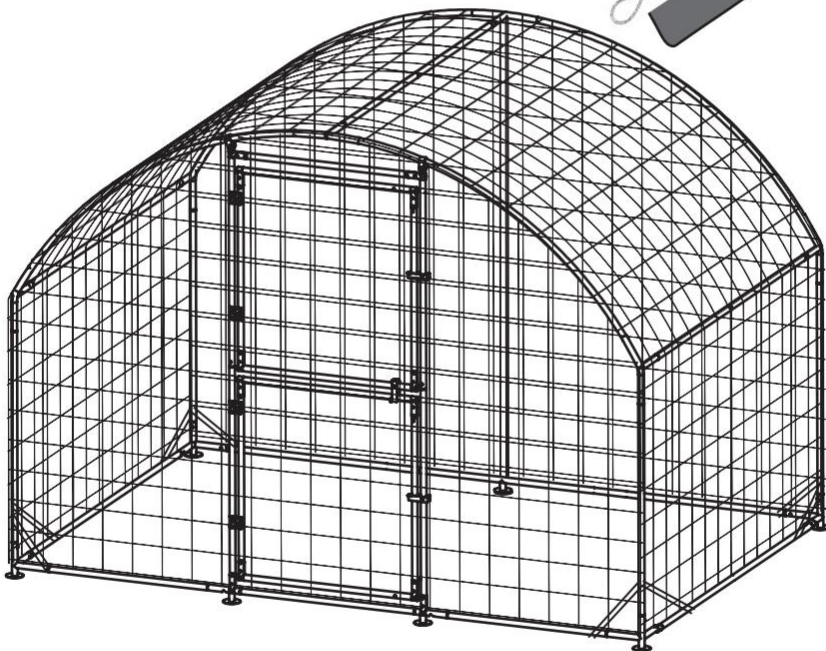
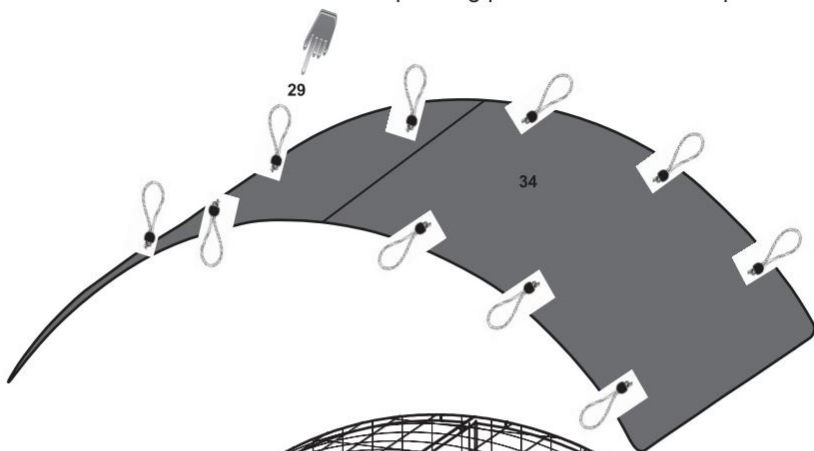
W1180MM

PS: Please cut it according to the size of the chicken coop.



Step.11

Fabric No. 34 is tied in the corresponding position with elastic rope No. 29



Insert each foot plate into the ground nail for fixation

