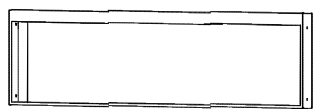
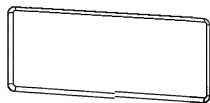


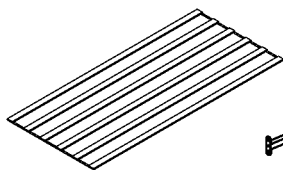
Parts BOX1



① x 1



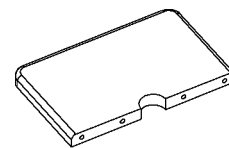
⑦ x 2



⑧ x 2



⑫ x 2



⑮ x 2

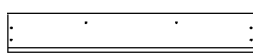
Parts BOX2



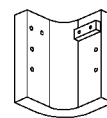
④ x 1



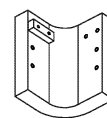
⑤ x 1



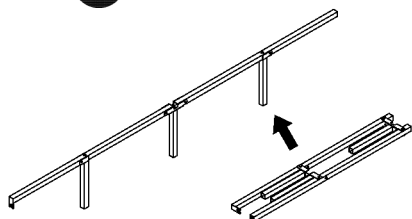
⑥ x 1



⑨ x 1



⑩ x 1



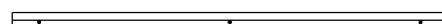
⑬ x 1



⑰ x 2



⑰ x 2



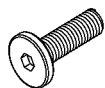
⑱ x 1

Hardware



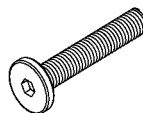
A

M8*20
33PCS



B

M8*40
20PCS



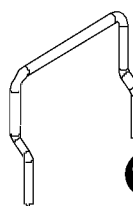
C

M8*60
9PCS

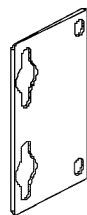


D

1 PC



⑪ x 2

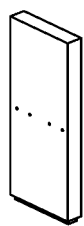


⑭ x 6

Parts

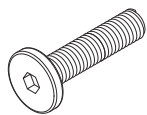


② x 1

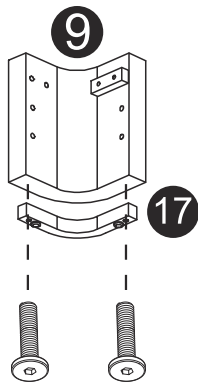


③ x 1

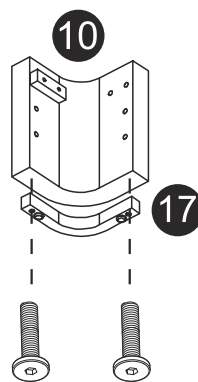
Step 1



B M8*40 4PCS

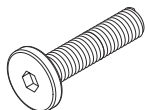


B x 2

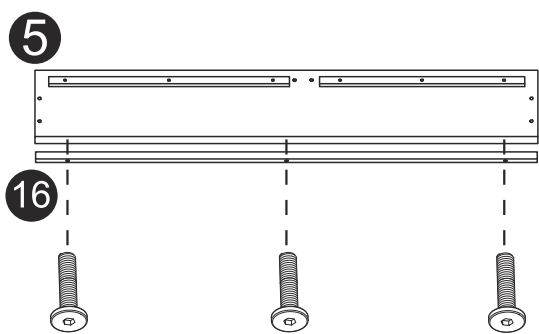


B x 2

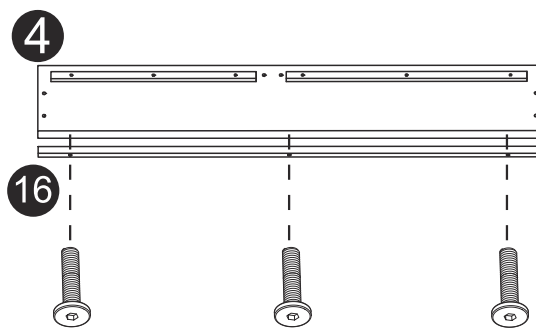
Step 2



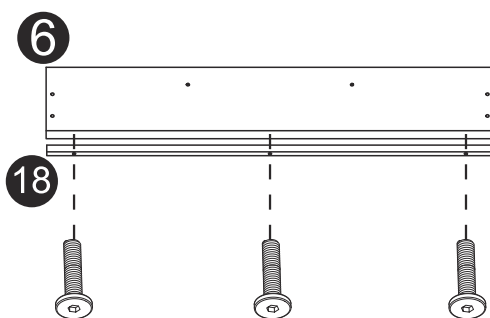
B M8*40 9PCS



B x 3

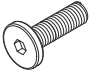


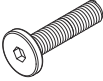
B x 3

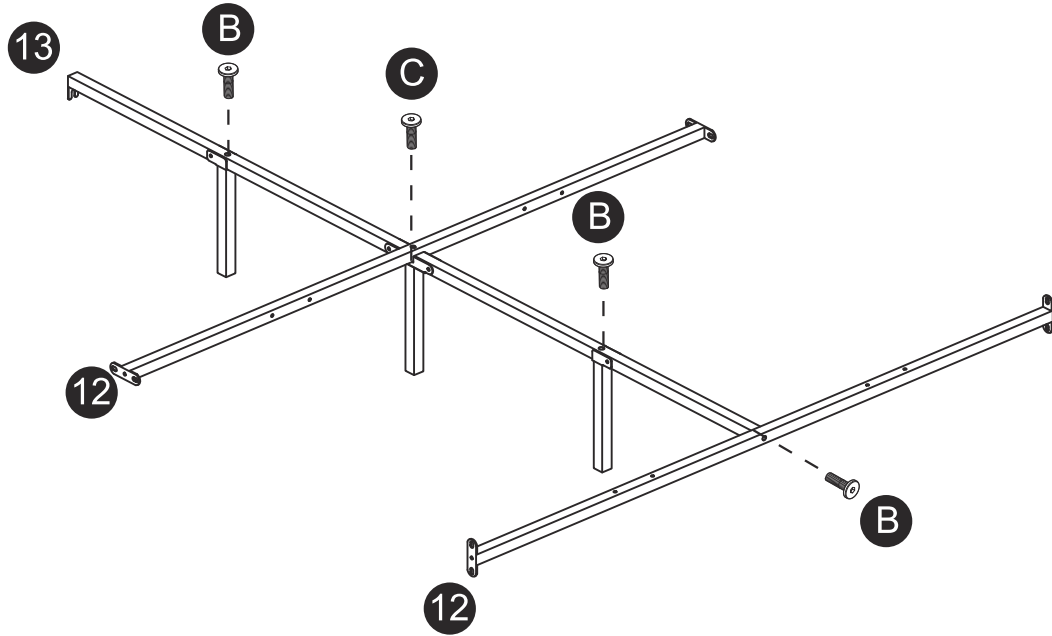


B x 3

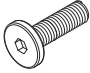
Step 3

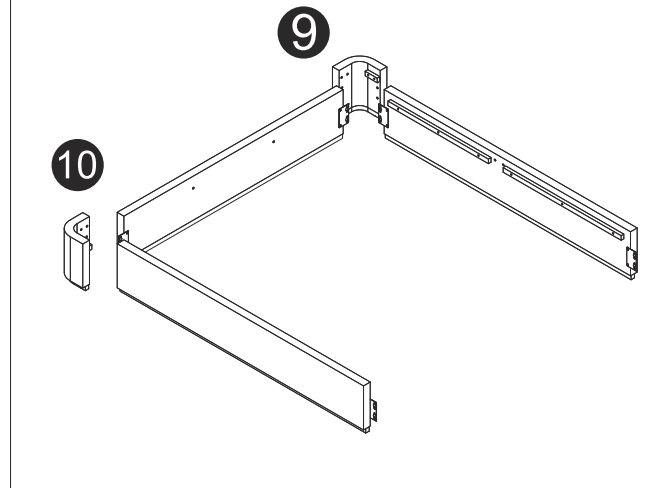
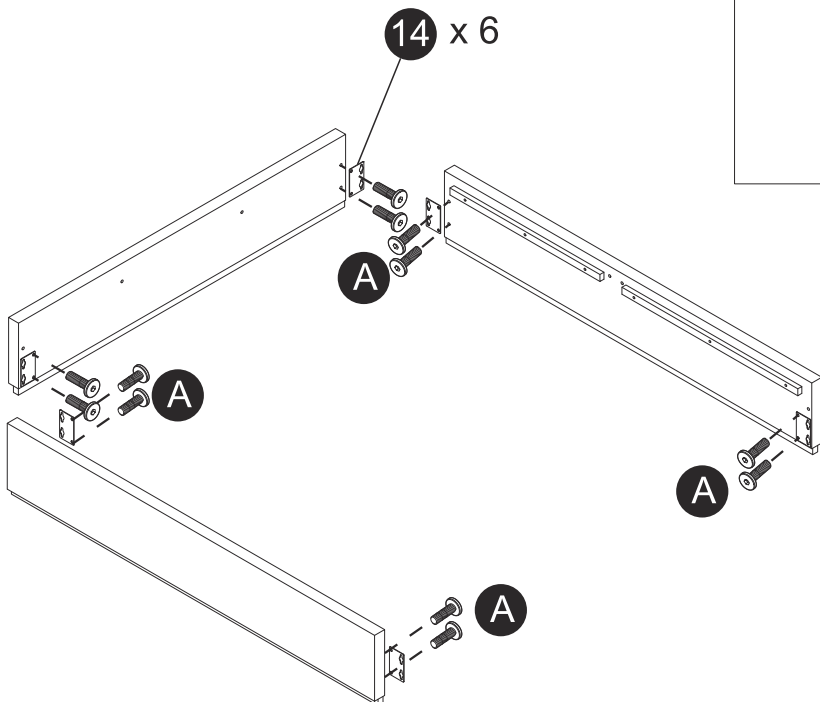
 **B** M8*40 3PCS

 **C** M8*60 1PCS



Step 4

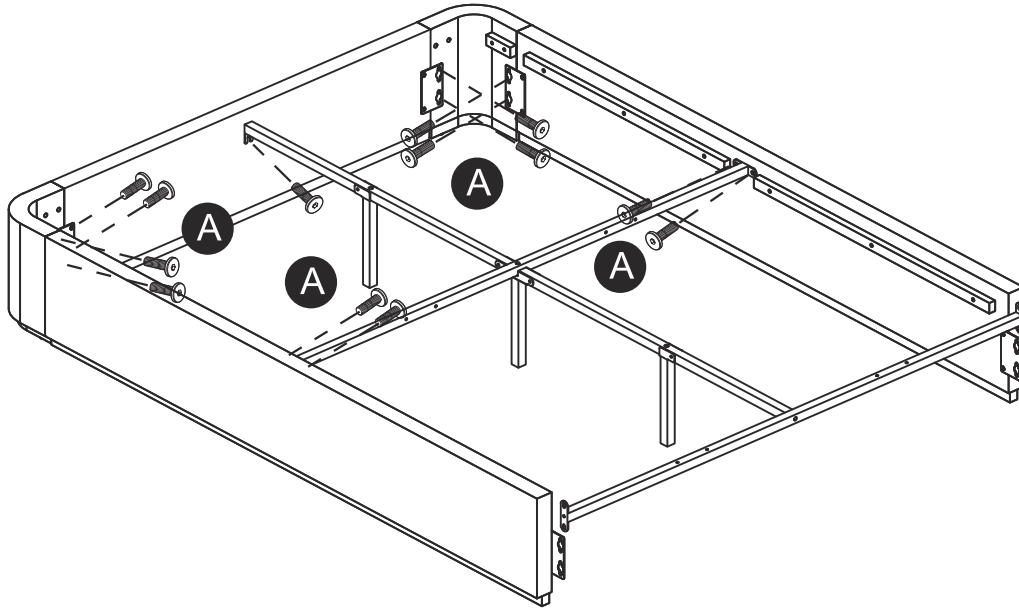
 **A** M8*20 12PCS



Step 5



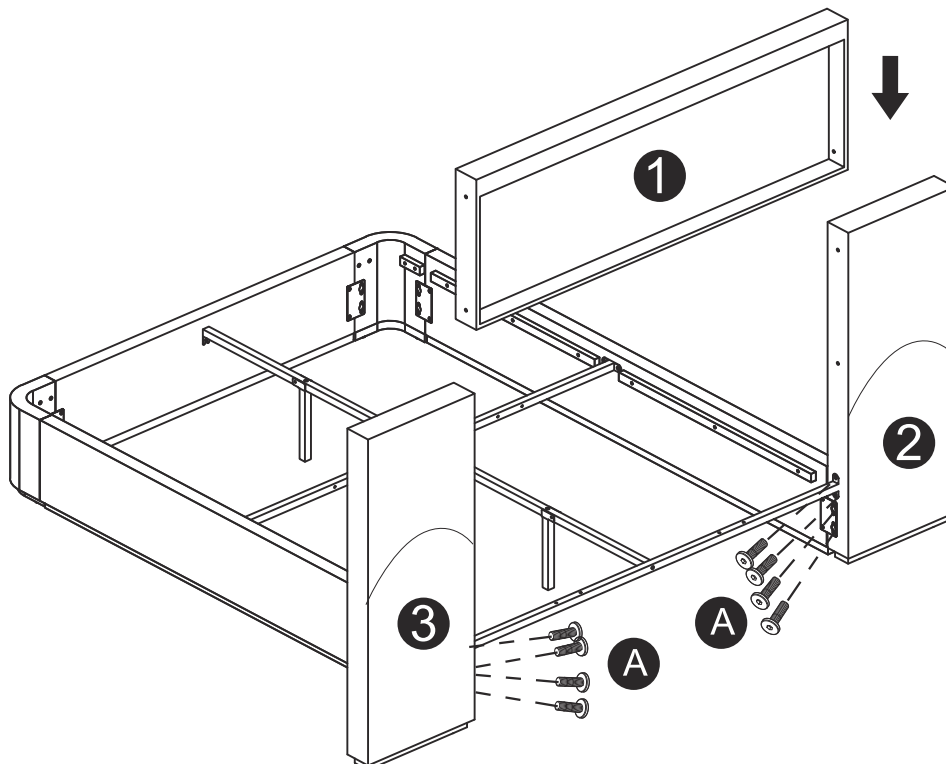
A M8*20 13PCS



Step 6



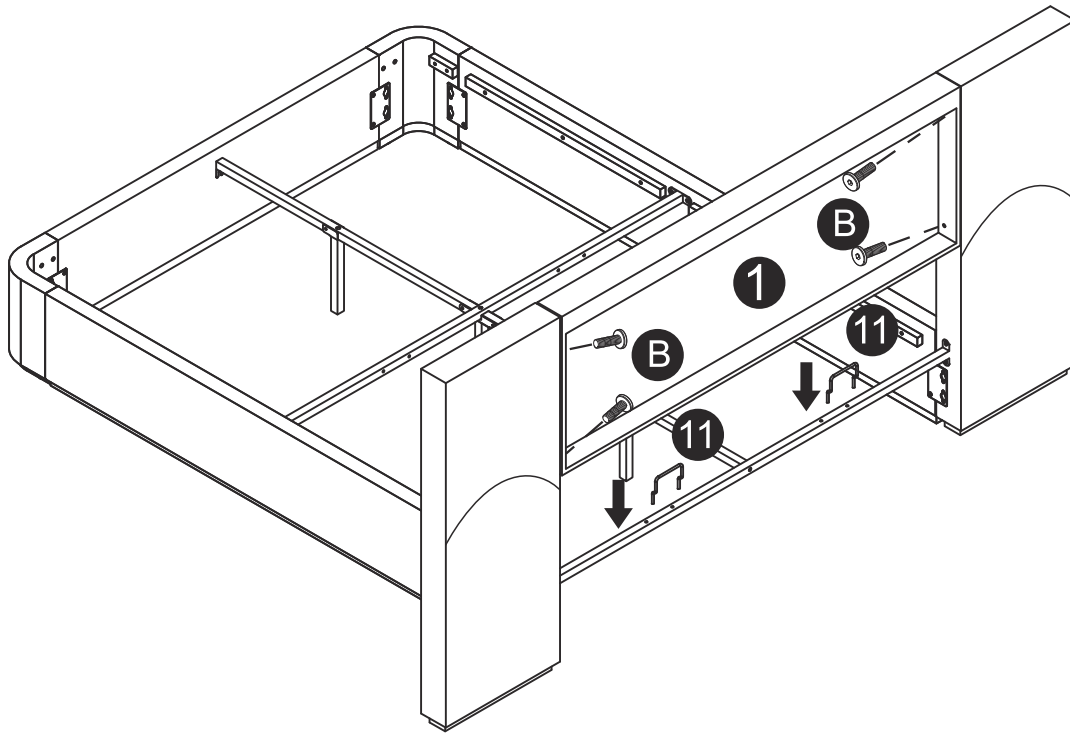
A M8*20 8PCS



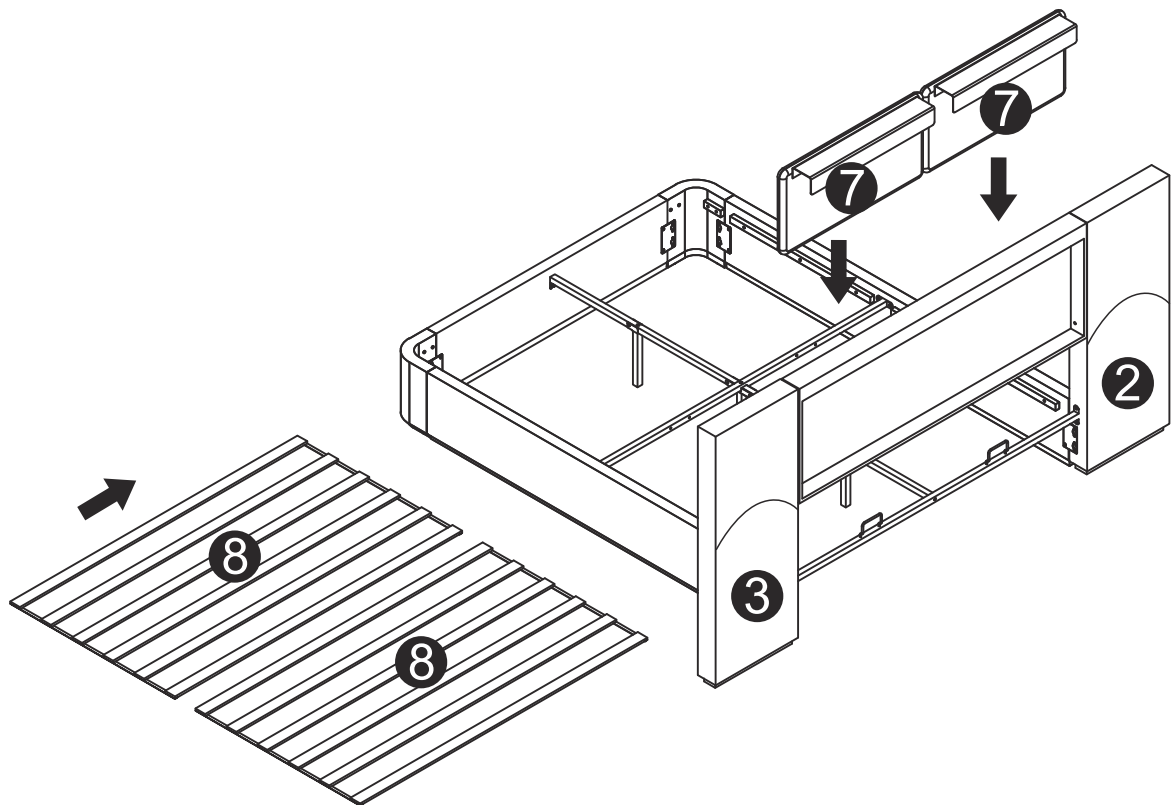
Step 7



B M8*40 4PCS



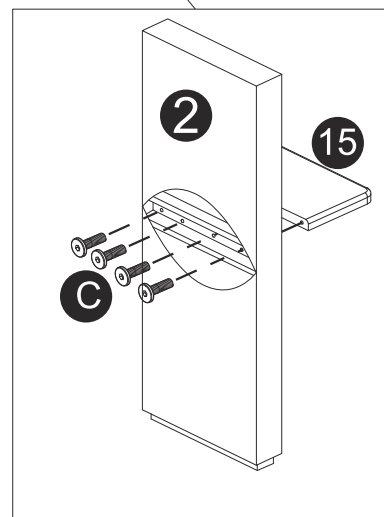
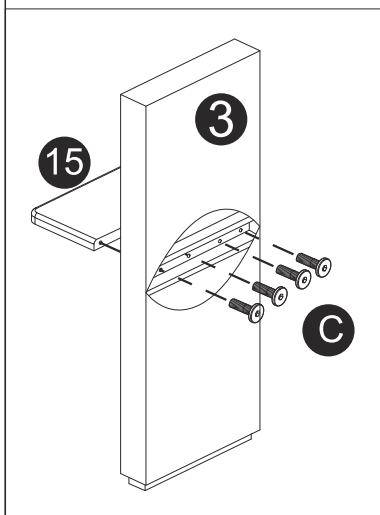
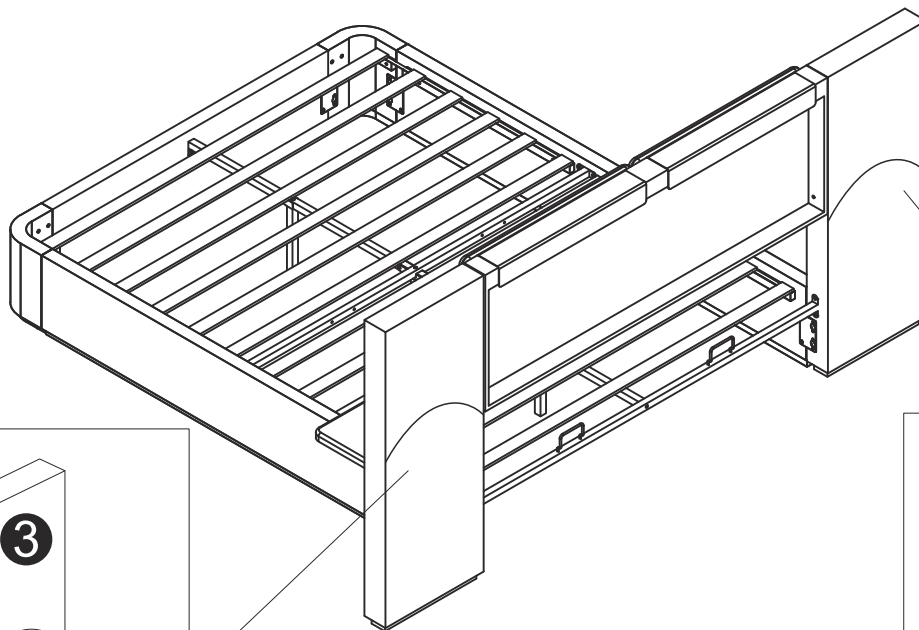
Step 8



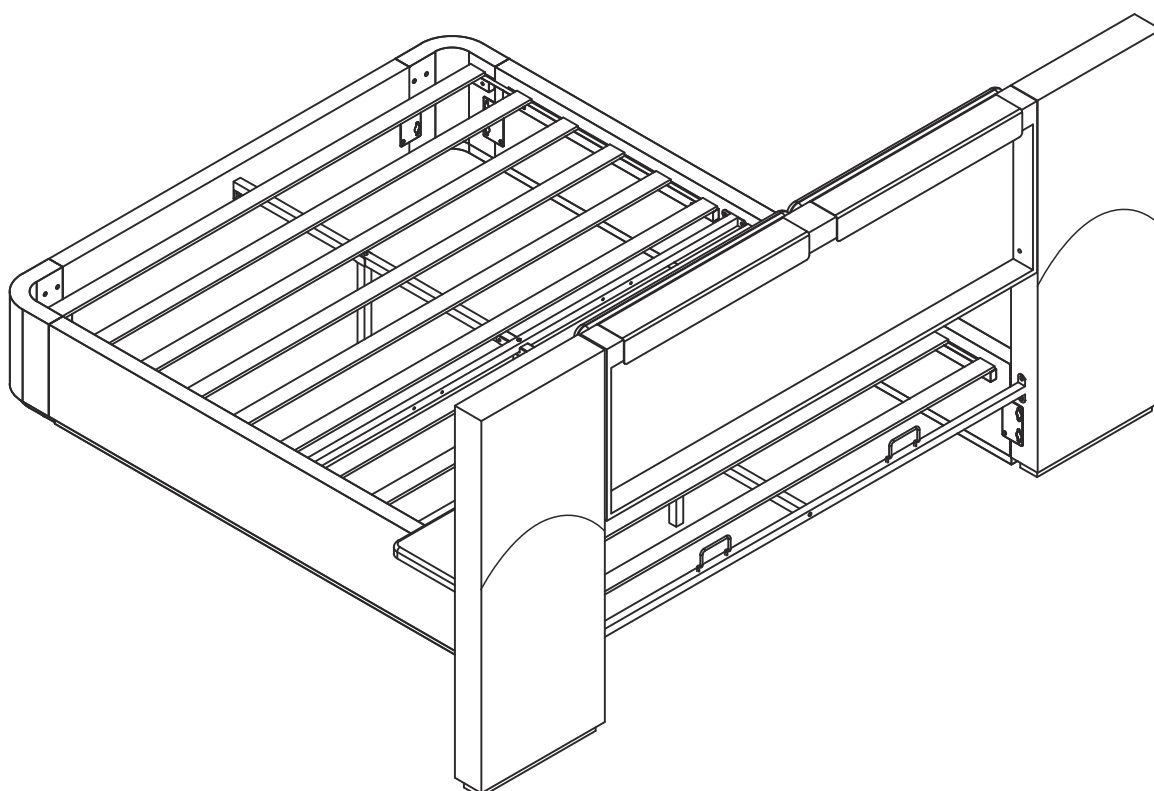
Step 9



C M8*60 8PCS



finish



ASSEMBLY INSTRUCTION

N761P280100

N761P280101

N761P280102

