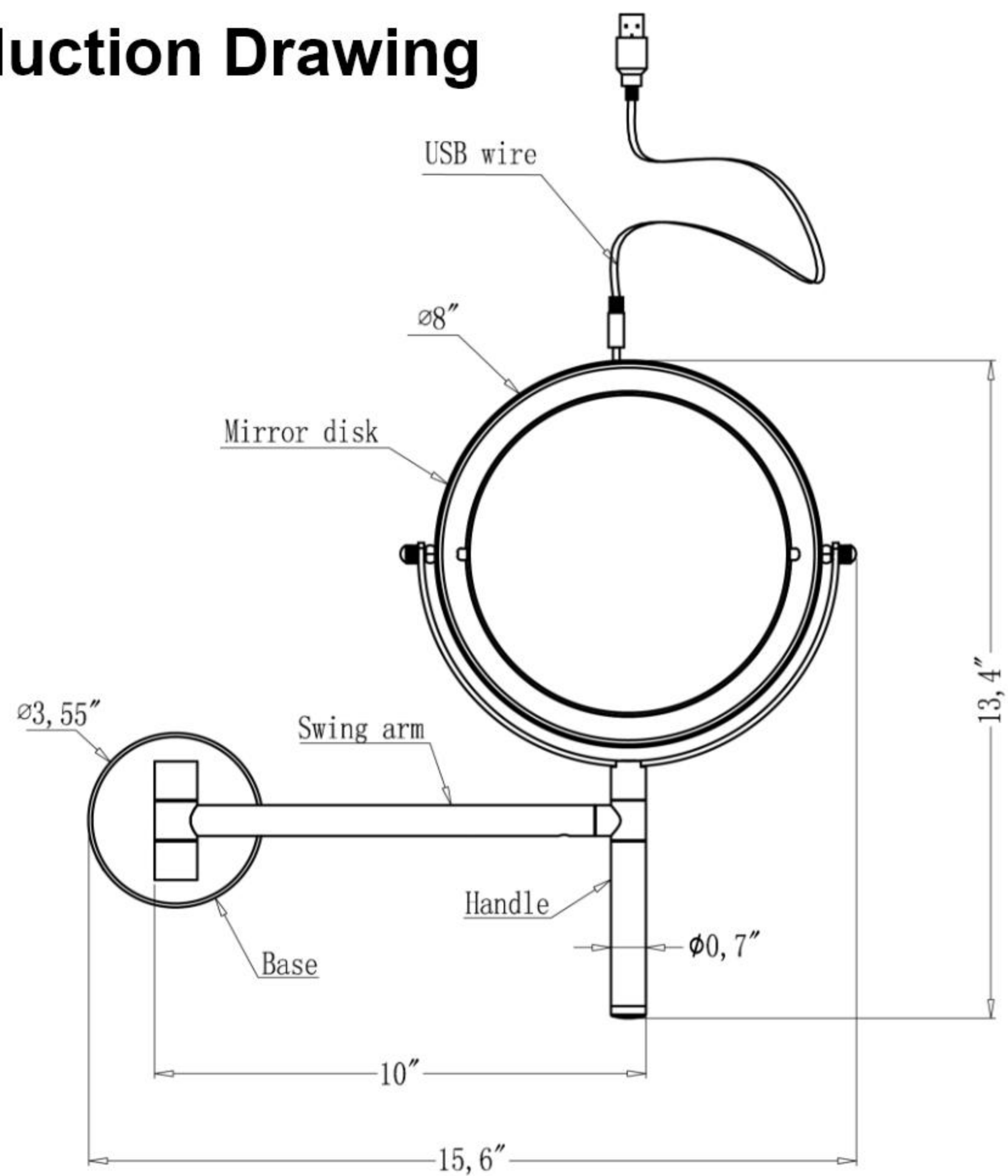
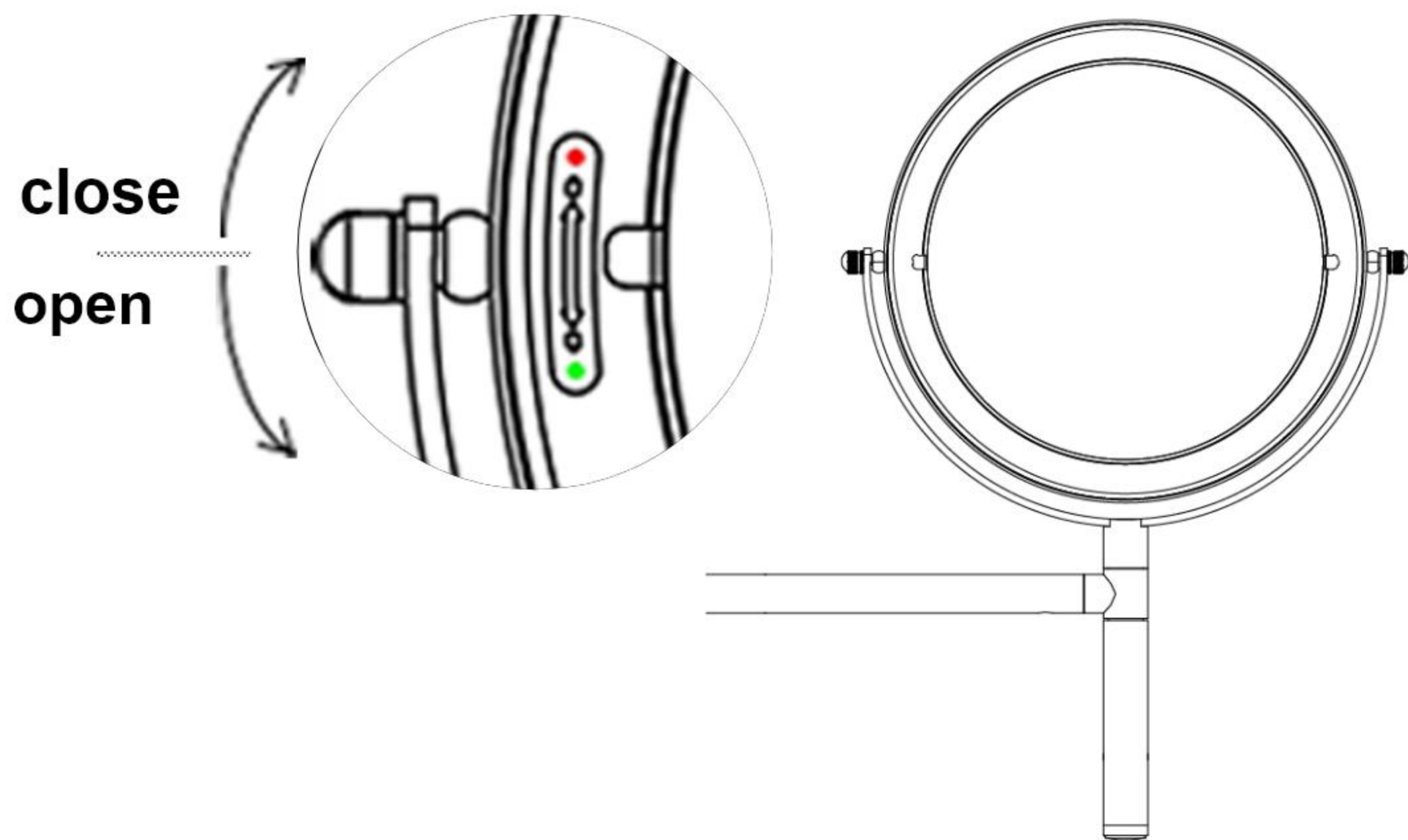


Production Drawing



Instruction for removing the mirror panel



PACKAGE CONTENTS



※The color of the mirror you receive is based on your actual order.

Battery Specifications

switch input voltage	charging current	battery charging input voltage	voltage	electric resistance
5V	250mA	5V	6.5W white light (3.25w)+ warm light (3.25w)	68R

Main Features

Swing the handle to tilt the mirror at any Angle
Spin and angle the mirror in any position to obtain the best view

8" wall mounted make up mirror

- 360° Swivel Design
- 10 Minutes Intelligent Light-off System
- Adjustable 3 Color Light
- Swing the handle to tilt the mirror at any Angle

Charging Ways:

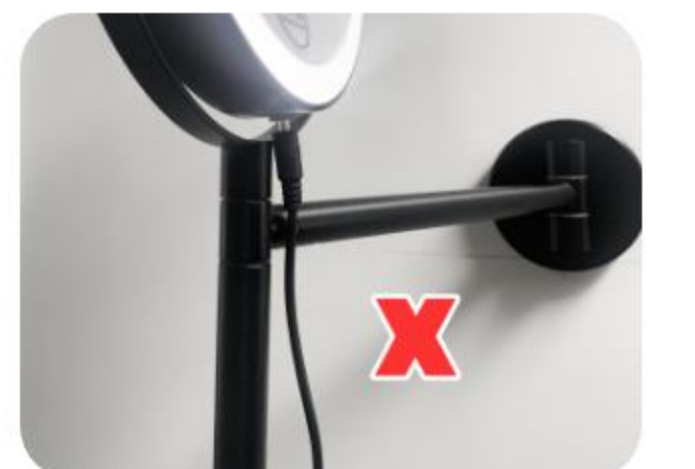
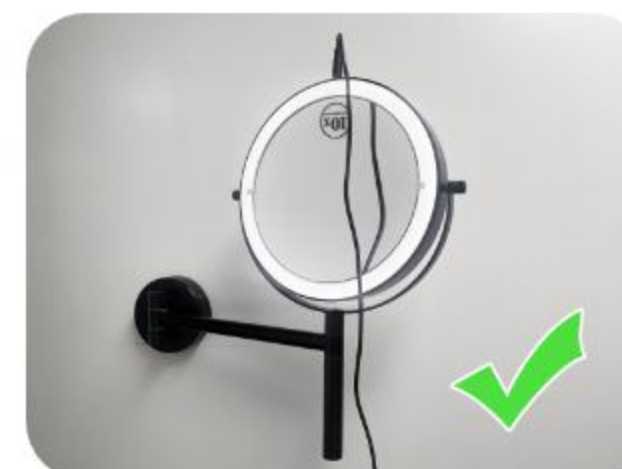
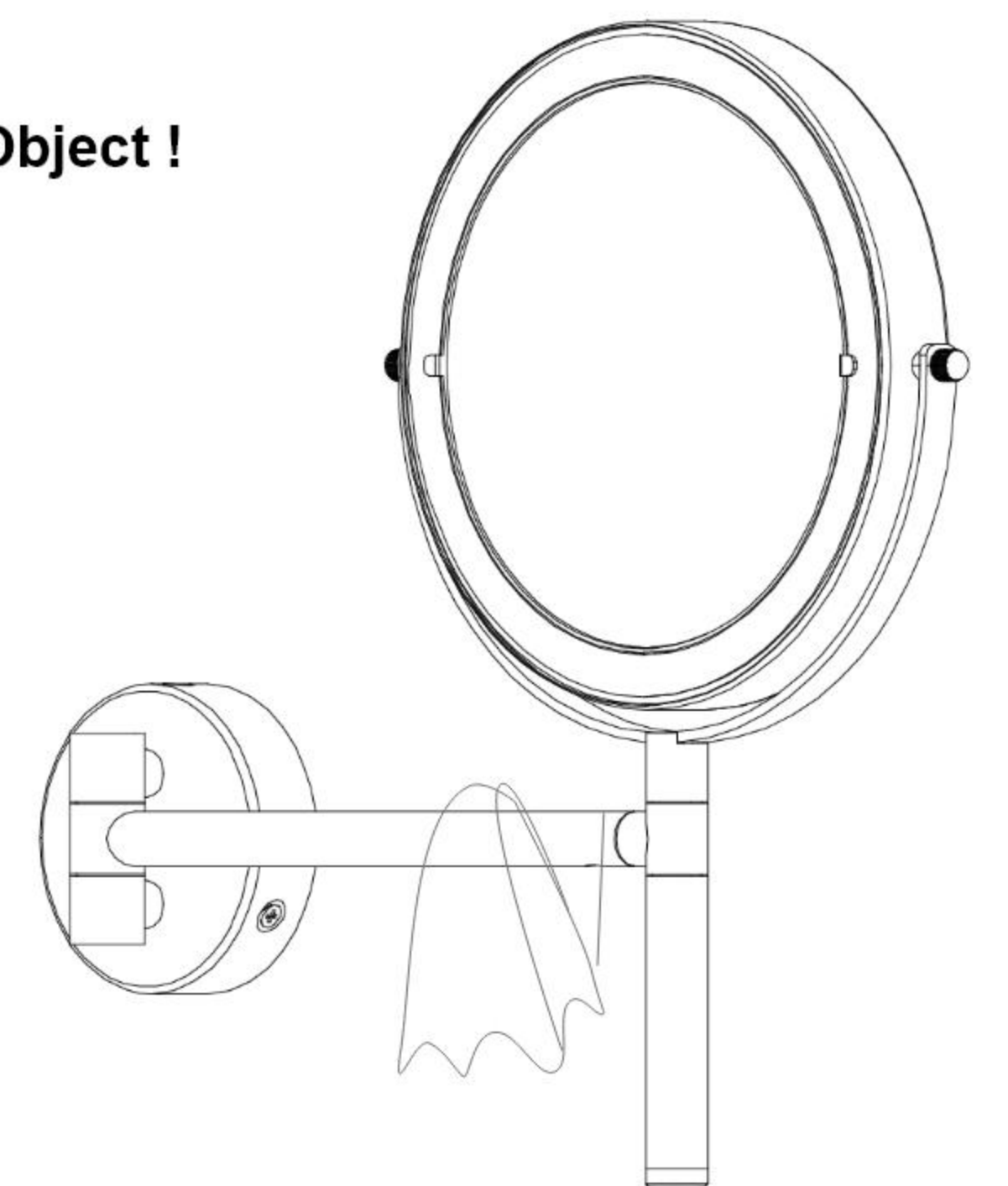
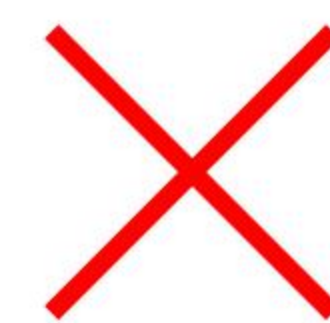
Use 4*AAA nickel-metal hydride rechargeable batteries.(Included)
It also support 4*AAA alkaline batteries(can NOT be charged,and Not include)
When there is no battery, you can also use usb wires to connect the power supply,but be careful that the usb wires should not be twisted when using them!
The red light comes on when charging, and turns green once it's fully charged.

Features:

10 Minutes intelligent light-off system.
3 Color Lighting Model: white light, warm light,natural light
Smart Touch Screen
Simple touch switch to turn on / off the light.
Touch again to select color light among 3 modes. can adjust brightness.
360° Swivel Design
A smooth 360-degree swivel design makes you can fix the mirror at any angle according to your need.

Warning

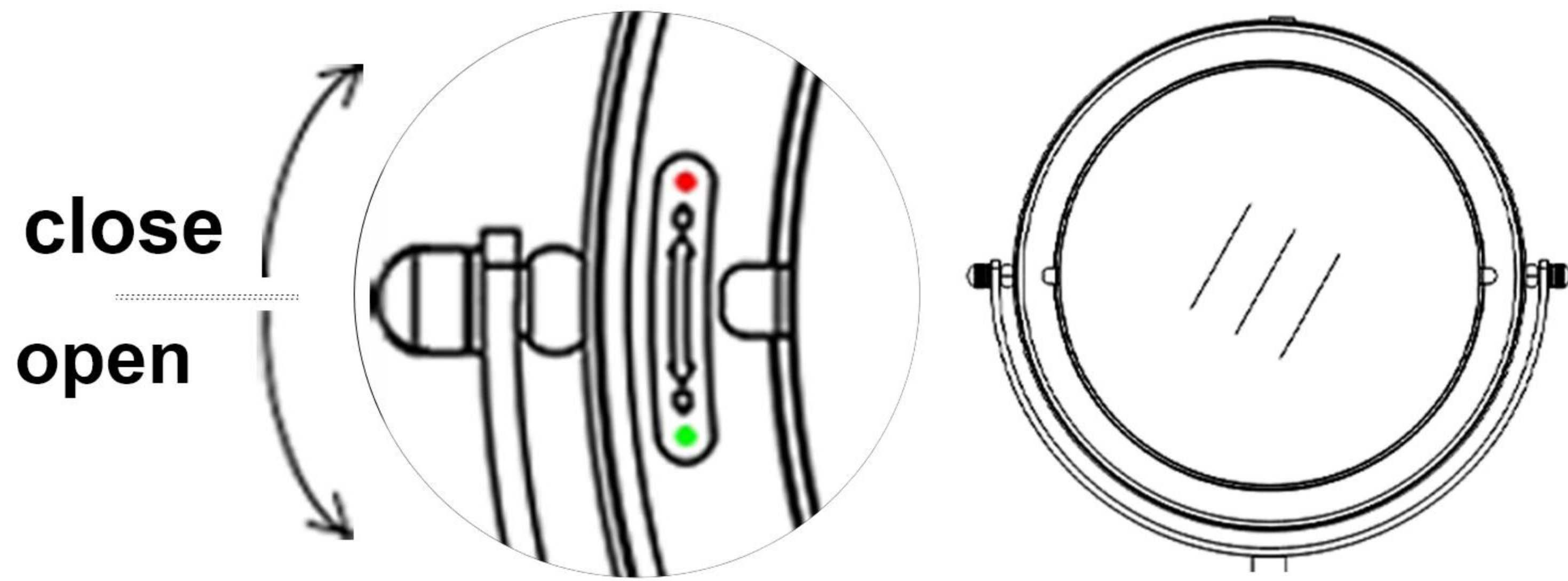
No Stacking of Heavy Object !



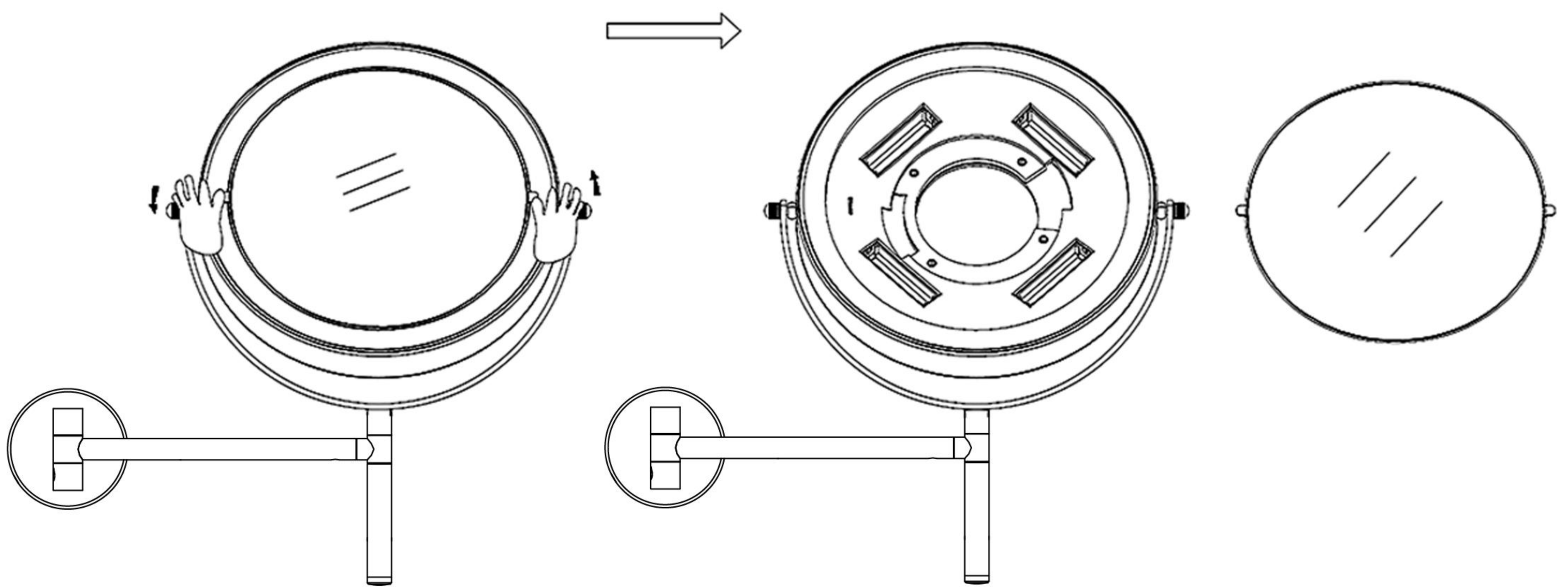
Pay attention to wire winding

Pay attention to the collision between wire and frame

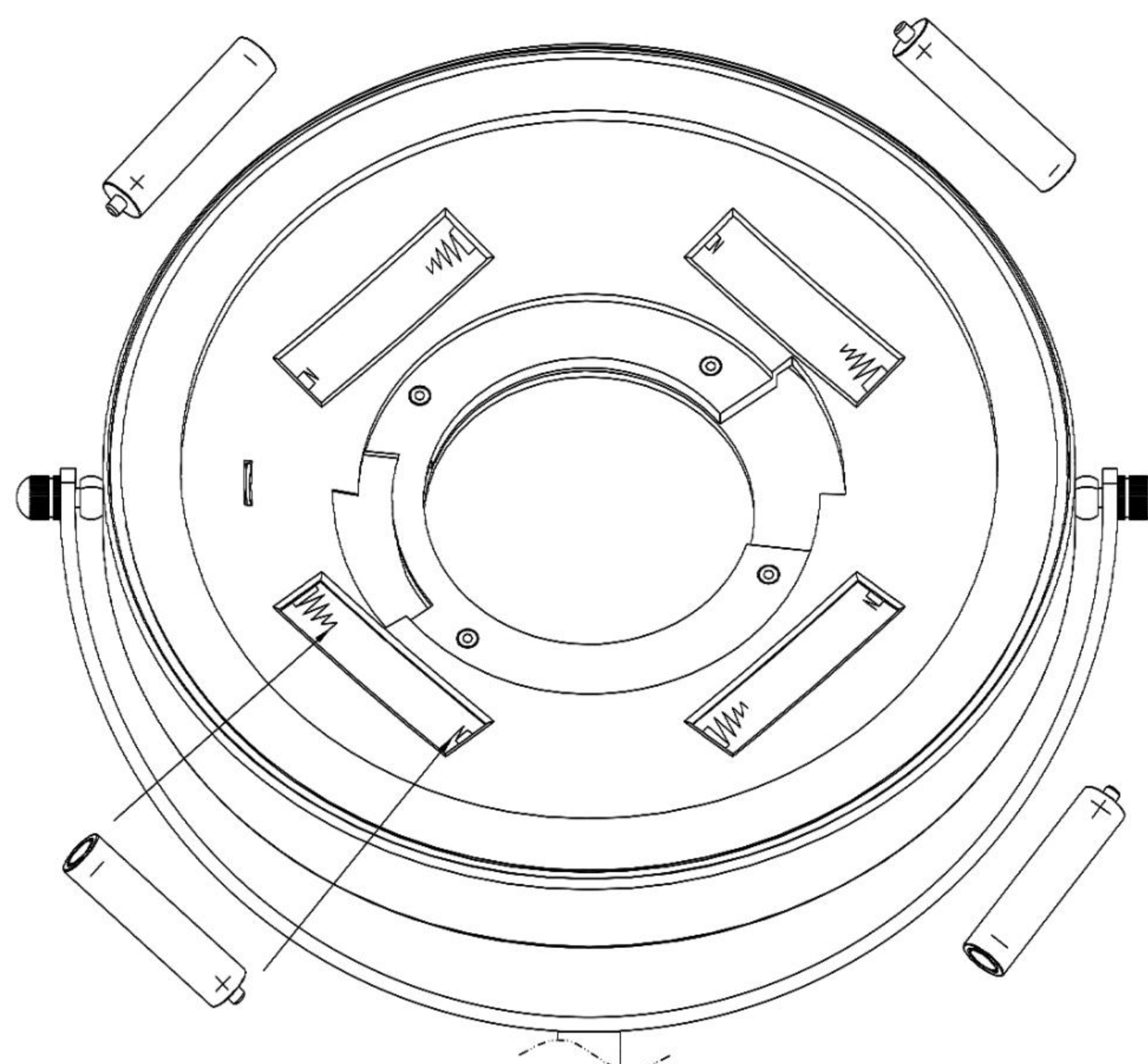
Instruction for removing the mirror panel



Instruction for removing the magnified mirror panel



※ Use 4*AAA nickel-metal hydride rechargeable batteries.(Included)





Can be humanized swing mirror Angle



How to Use a wrench



If there is a natural drop tilt when the mirror is placed vertically, you can use a 3mm Allen wrench to fix it.

Insert the Allen wrench into the joint

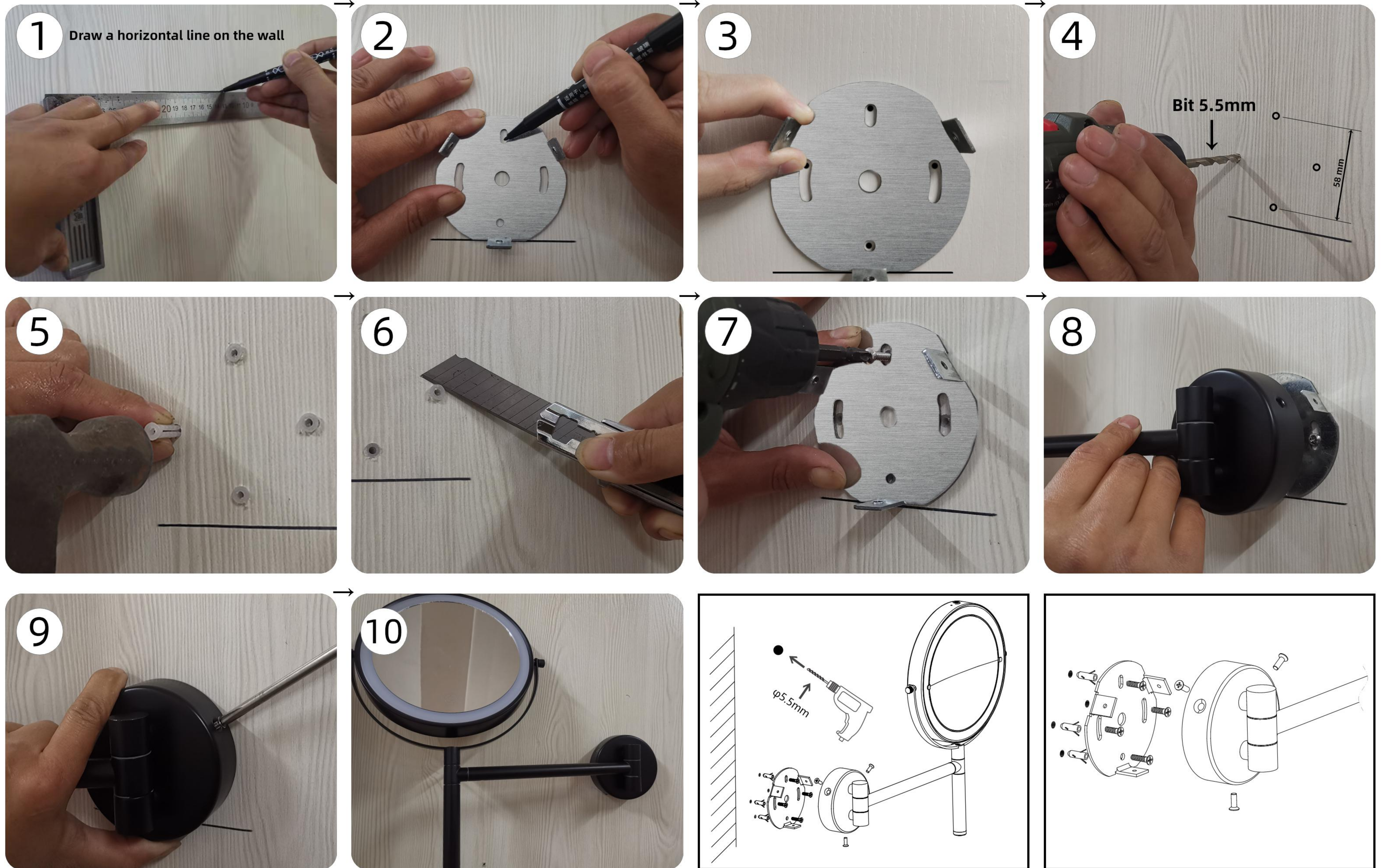
Rotate counterclockwise, turn gently to tighten. The mirror can use normally again.

Warning

Precautions of the battery use:

- (1) Fully charged for first time use
- (2) If not used for 3 months, it must be fully charged before storage, otherwise the battery will fail
- (3) Under any circumstances, the battery is strictly prohibited from being reversed
- (4) The battery is strictly prohibited to charge at low temperature (below zero degree) High temperature (above 45 degree) charging of the battery is strictly prohibited
- (5) Do not play and swallow

Installation procedure details



Tips: The free bit (included in the package) is used for only wood wall and the soft wall (made with sands) , but pls use the professional drill if the wall is made with reinforced concrete structure.