

**Honeywell**

# 209920A Wall Cover Plate

## INSTALLATION INSTRUCTIONS

### APPLICATION

The 209920A Wall Cover Plate is used when installing a new thermostat to cover marks left on the wall by the old thermostat. It can be used with a T7512, T7516, T7518, T8131 or T8132 Thermostat.

### INSTALLATION

#### When Installing this Product...

Read these instructions carefully.  
Installer must be a trained, experienced service technician.



### CAUTION

#### Equipment Damage Hazard

To prevent equipment damage, disconnect the power supply before beginning installation

### Mounting

The wall cover plate can be mounted on the wall or on a 2 x 4 in. outlet box

1. Mark and drill holes, as necessary, following the mounting and installation instructions provided with the thermostat.
2. Place the wall cover plate on the wall or outlet box.
3. Mount the thermostat or thermostat wiring plate over the wall cover plate. Pull wires through the wiring opening. Insert screws included with the thermostat; level and tighten. See Fig. 2.

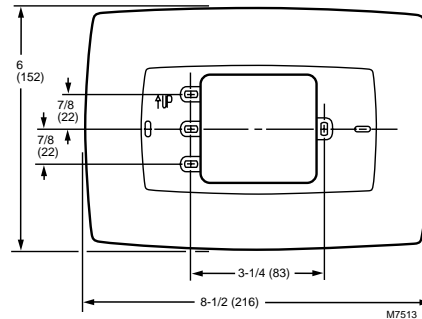
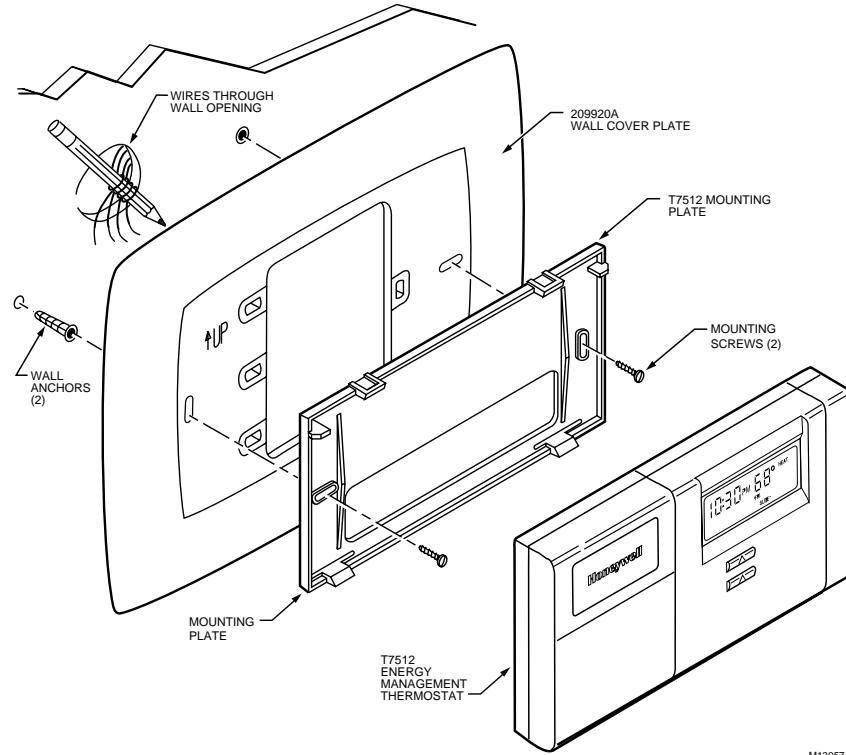


Fig. 1. Dimensions of 209920A  
Wall Cover Plate in in. (mm).



209920A WALL COVER PLATE



M13057

Fig. 2. Attaching T7512 Mounting Plate and 209920A Wall Cover Plate to wall.

**Honeywell**

*Helping You Control Your World®*

**Home and Building Control**  
Honeywell Inc.  
Honeywell Plaza  
P.O. Box 524  
Minneapolis, MN 55408-0524

**Home and Building Control**  
Honeywell Limited-Honeywell Limitée  
155 Gordon Baker Road  
North York, Ontario  
M2H 3N7

69-1133 R.L. 9-97



Printed in U.S.A. on recycled paper containing at least 10% post-consumer paper fibers.