



ONEPWR® 20V TELESCOPING

POWER SCRUBBER USER MANUAL

IMPORTANT: READ ALL INSTRUCTIONS CAREFULLY BEFORE ASSEMBLY AND USE. This product is intended for Household use only. If used Commercially warranty is VOID. PLEASE DO NOT RETURN THIS PRODUCT TO THE STORE.

SAVE THIS MANUAL FOR FUTURE REFERENCE

WARNING: TO REDUCE THE RISK OF INJURY, THE USER MUST READ AND UNDERSTAND THE OPERATOR'S MANUAL BEFORE USING THIS PRODUCT.

IMPORTANT SAFETY INSTRUCTIONS

WARNING: Read and understand all instructions. Failure to follow all instructions listed below, may result in electric shock, fire and/or serious personal injury.

WARNING: To reduce the risk of electric shock DO NOT expose to rain. Store indoors.

WARNING: To reduce the risk of fire and electric shock, use only Hoover cleaning products intended for use with this machine.

- Dress properly. Do not wear loose clothing or jewelry. Contain long hair. Keep your hair, loose clothing, fingers, and all parts of the body and clothing, away from openings and moving parts. Loose clothes, jewelry or long hair can be caught in internal moving parts.
- Do not overreach. Keep proper footing and balance at all times. Proper footing and balance enables better control of the product in unexpected situations. Do not use on a ladder or unstable support.
- Use safety equipment. Dust mask must be used for appropriate conditions.
- Do not allow children to operate product or play with product as a toy. Close attention is necessary when used by or near children.
- Use this product ONLY for its intended use as described in this manual. Use only the attachments recommended in this manual.

- If product is not working properly, has been dropped, damaged, left outdoors or dropped into water, return to your nearest service center.
- Do not handle charger plug or product with wet hands.
- Use extra care when using on stairs.
- Do not incinerate this appliance even if it is severely damaged. The batteries can explode in a fire.
- Product does not have to be plugged into an electrical outlet, therefore it is always in operating condition. Be aware of possible hazards when using the product or when changing accessories.
- To reduce the risk of injury from moving parts, remove battery pack before servicing.
- When battery pack is not in use, keep it away from other metal objects like: paper clips, coins, keys, nails, screws or other small metal objects that can make a connection from one terminal to another. Shorting the battery terminals together may cause sparks, burns, or a fire.
- Always remove battery pack from your tool when you are assembling parts, making adjustments, cleaning or when not in use. Removing battery pack will prevent accidental starting that could cause serious personal injury.
- Do not use a battery pack that is damaged or modified. Damaged or modified batteries may exhibit unpredictable behavior resulting in fire, explosion or risk of injury.
- Do not modify or attempt to repair a battery pack that has been damaged.

- Batteries can explode in the presence of a source of ignition, such as excessive heat or a pilot light. To reduce the risk of serious personal injury, never use any cordless product in the presence of an open flame or temperature above 265°F. An exploded battery can propel debris and chemicals. If exposed, flush with water immediately.
- Prevent unintentional starting. Ensure the switch is in the off-position before connecting to power source and/or battery pack, picking up or carrying the product. Carrying battery products with your finger on the switch or energizing battery products that have the switch on invites accidents.
- Under abusive conditions, liquid may be ejected from the battery; avoid contact. If contact accidentally occurs, flush with water. If liquid contacts eyes, additionally seek medical help. Liquid ejected from the battery may cause irritation or burns.
- Protect your lungs. Wear a face or dust mask if the operation is dusty. Following this rule will reduce the risk of serious personal injury.
- Check for misalignment or binding of moving parts, breakage of parts, and any other condition that may affect the product's operation. If damaged, have the product serviced before using. Many accidents are caused by poorly maintained products.
- Use only accessories that are recommended by the manufacturer for your model. Accessories that may be suitable for one product may create a risk of injury when used on another product.
- Follow all charging instructions and do not charge the battery pack or appliance outside of the temperature range specified in the instructions. Charging improperly or at temperatures outside of the specified range may damage the battery and increase the risk of fire.
- Do not let gasoline, oils, petroleum-based products, etc., come in contact with plastic parts. They contain chemicals that can damage, weaken, or destroy plastic.
- Have servicing performed by a qualified repair person using only identical replacement parts. This will ensure that the safety of the product is maintained.
- This product contains no serviceable parts.
- Save these instructions. Refer to them frequently and use them to instruct others who may use this product. If you loan someone this product, loan them these instructions also.
- Do not charge battery in a damp or wet location. Do not use, store or charge battery packs or products in locations where the temperature is less than 50°F or more than 100°F. Do not store outside or in vehicles.
- Recharge only with the charger specified by the manufacturer. A charger that is suitable for one type of battery pack may create a risk of fire when used with another battery pack. Do not use charger outdoors.
- Use appliances only with specifically designated battery packs. Use of any other battery packs may create a risk of injury and fire.
- Do not expose a battery pack or appliance to fire or excessive temperature. Exposure to fire or temperature above 265°F may cause explosion.

BATTERY DISPOSAL WARNING—RISK OF EXPLOSION OR EXPOSURE TO TOXIC MATERIAL

LITHIUM-ION BATTERIES

The battery must be collected, recycled or disposed of in an environmentally sound manner. The EPA certified RBRC Battery Recycling Seal on the lithium-ion [Li-ion] battery indicated Techtronic Industries, is voluntarily participating in an industry program to collect and recycle these batteries at the end of their useful life, when taken out of service in the United States or Canada. The RBRC program provides a convenient alternative to placing used Li-ion batteries into the trash or the municipal waste stream, which may be illegal in your area. Please visit www.rbrc.org/call2recycle/ for information on Li-ion battery recycling and disposal bans/restrictions in your area. HOOVER's involvement in this program is part of our commitment to preserving our environment and conserving our natural resources.



HAVE A QUESTION?

HOOVER® HAS THE ANSWER!



START WITH
HOOVER.COM/HELP

DO NOT RETURN TO STORE

Start with 24/7
resources like these:

FAQs
HOW-TO VIDEOS
TROUBLESHOOTING
VIDEOS

Contact HOOVER
Get support now
chat with us!
Everyday 8am - 8pm EST

POWER SCRUBBER SAFETY WARNINGS

- Know your power tool. Read operator's manual carefully. Learn its applications and limitations, as well as the specific potential hazards related to this power tool. Following this rule will reduce the risk of electric shock, fire, or serious injury.
- Always wear eye protection with side shields marked to comply with ANSI Z87.1 when assembling parts, operating the tool or performing maintenance. Following this rule will reduce the risk of serious personal injury.
- This product is suitable for indoor and outdoor use.
- Check to make sure the brush accessory is installed correctly prior to use.
- Do not force the scrubber into tight spaces during use.
- Do not touch rotating accessories when product is in use.
- Battery tools do not have to be plugged into an electrical outlet; therefore, they are always in operating condition. Be aware of possible hazards when not using your battery tool or when changing accessories. Following this rule will reduce the risk of electric shock, fire, or serious personal injury.
- Do not place battery tools or their batteries near fire or heat. This will reduce the risk of explosion and possibly injury.
- Do not crush, drop or damage battery pack. Do not use a battery pack or charger that has been dropped or received a sharp blow. A damaged battery is subject to explosion. Properly dispose of a dropped or damaged battery immediately.
- Batteries can explode in the presence of a source of ignition, such as a pilot light. To reduce the risk of serious personal injury, never use any cordless product in the presence of open flame. An exploded battery can propel debris and chemicals. If exposed, flush with water immediately.
- Under extreme usage or temperature conditions, battery leakage may occur. If liquid comes in contact with your skin, wash immediately with soap and water. If liquid gets into your eyes, flush them with clean water for at least 10 minutes, then seek immediate medical attention. Following this rule will reduce the risk of serious personal injury.

CAUTION: TO REDUCE THE RISK OF INJURY FROM MOVING PARTS, REMOVE BATTERY PACK BEFORE SERVICING.

- Save these instructions. Refer to them frequently and use them to instruct others who may use this tool. If you loan someone this tool, loan them these instructions also.

SIX-POSITION PIVOTING HEAD

The motor head can be adjusted with the pivot button.

REAR HANDLE WITH OVERMOLD

The rear handle with overmold provides added user comfort.

TELESCOPING SHAFT

The scrubber can be adjusted to different extension points for ease of use.

ASSEMBLY

UNPACKING

This product requires assembly.

- Carefully remove the tool and any accessories from the box. All items listed in the Includes section must be included at the time of purchase.

WARNING: Items in this Assembly section are not assembled to the product by the manufacturer and require customer installation. Use of a product that may have been improperly assembled could result in serious personal injury.

If any parts are damaged or missing, please call **1-800-944-9200** for assistance.

WARNING: If any parts are damaged or missing do not operate this product until the parts are replaced. Use of this product with damaged or missing parts could result in serious personal injury.

WARNING: Do not attempt to modify this product or create accessories or attachments not recommended for use with this product. Any such alteration or modification is misuse and could result in a hazardous condition leading to possible serious personal injury.

WARNING: To prevent accidental starting that could cause serious personal injury, always remove the battery pack from the product when assembling parts.

OPERATION

WARNING: Do not allow familiarity with this product to make you careless. Remember that a careless fraction of a second is sufficient to inflict serious injury.

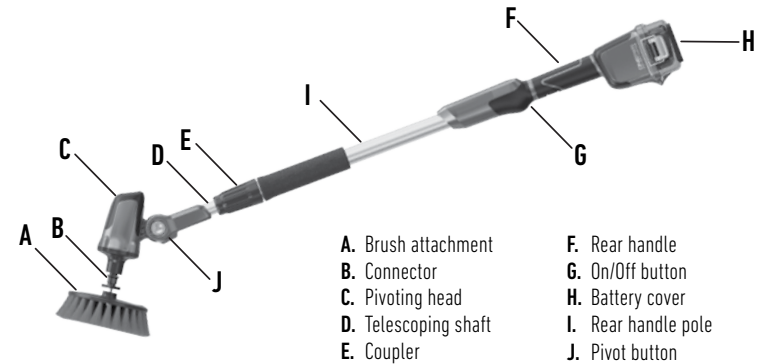
WARNING: Always remove battery pack from the tool when you are assembling parts, making adjustments, cleaning, or when not in use. Removing battery pack will prevent accidental starting that could cause serious personal injury.

WARNING: Always wear eye protection with side shields marked to comply with ANSI Z87.1. Failure to do so could result in objects being thrown into your eyes and other possible serious injuries.

WARNING: Do not use any attachments or accessories not recommended by the manufacturer of this product. The use of attachments or accessories not recommended can result in serious personal injury.

WARNING: Do not operate the scrubber with the battery door open. An open door could expose the battery and battery compartment to wet conditions which could increase the risk of electric shock.

FEATURES



- A. Brush attachment
- B. Connector
- C. Pivoting head
- D. Telescoping shaft
- E. Coupler
- F. Rear handle
- G. On/Off button
- H. Battery cover
- I. Rear handle pole
- J. Pivot button

PRODUCT SPECIFICATIONS

Motor 20 V DC
 No Load Speed (revolutions per minute) approx. 210/min (RPM)
 Waterproof Rating IPX8*

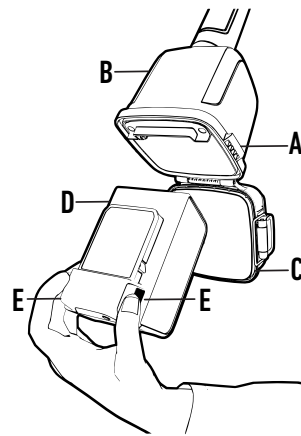
* IP Rating: Specifies the environmental protection the product enclosure provides. This product has an IPX8 rating meaning it can withstand immersion in water up to 1 meter for up to 30 minutes.

APPLICATIONS

You may use this product for the purpose listed below:

- The power scrubber can be used to clean exterior and interior surfaces.
- This product is not for commercial use.

INSTALLING/REMOVING BATTERY PACK



- A. Tab
- B. Battery port
- C. Battery cover
- D. Battery pack
- E. Latches

1. Unlock the tabs and open the battery cover.
 2. Insert the battery pack into the product as shown.
 3. Make sure the latches on each side of the battery pack snap into place and the battery pack is secured before beginning operation.
 4. Close the battery cover and lock the tab.
 5. To remove, open the cover and depress the latches on both sides of the battery pack.
- For complete charging instructions, see the operator's manuals for your battery pack and charger.

WARNING: Do not place hand between pivoting head and telescoping shaft. Placement of your hand or fingers in this area could result in a pinch point injury.

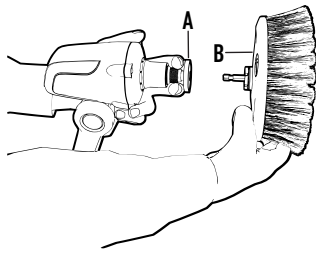
SELECTING A BRUSH ACCESSORY

Selecting the correct type of brush accessory is important in order to obtain the best performance from the power scrubber. Select the brush accessory based on the application and on the surface you wish to clean. Selecting the right brush accessory will help you clean more efficiently and protect the surface being cleaned. To reduce the risk of property damage, always test the brush in an inconspicuous area of a surface before beginning a project.

NOTE: A brush accessory with medium bristles is included with your power scrubber. Brush accessories with hard and soft bristles can be purchased where you bought this product.

BRUSH ACCESSORY SELECTION GUIDE	
	Soft Bristle (White) AH84100 Light Duty Cleaning
	Medium Bristle (Red) AH84200 General Purpose Cleaning
	Hard Bristle (Black) AH84300 Heavy Duty Cleaning
	AH84400- 6" 3 pc Bristle Brush kit

INSTALLING/REMOVING BRUSH ACCESSORIES



- A. Connector
- B. Brush attachment
- C. Unlocked
- D. Locked

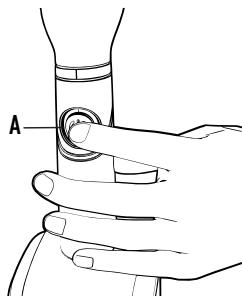
1. Remove the battery pack.
2. Align the Hex bit on the brush to the hex shaped opening on the motor head.
3. Hold the collar back and insert the brush hex bit into the receiver. Release the collar and brush will "click" when locked in place.

NOTE: When the brush is locked in place, the collar will be in the forward position.

4. To remove the brush, pull and hold the receiver collar back while pushing the hex bit out of the receiver.

NOTE: The receiver collar needs to be held in the back position to begin removing the brush.

STARTING/STOPPING THE POWER SCRUBBER



- A. On/Off button

TO START THE MOTOR:

Fully depress the on/off button to start the motor.

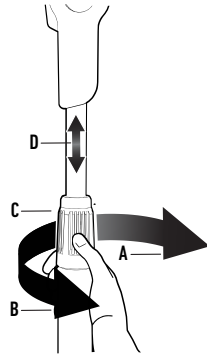
NOTE: When the motor is on, the brush accessory will spin continuously.

TO STOP THE MOTOR:

Fully depress the on/off button to stop the motor.

NOTE: When the motor is off, the brush accessory will stop spinning.

TELESCOPING SHAFT

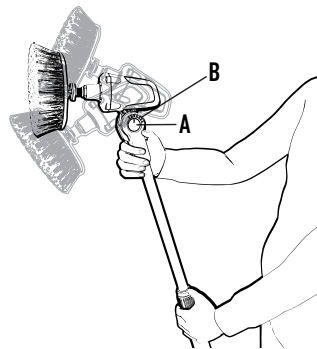


- A. Tighten
- B. Loosen
- C. Coupler
- D. Telescoping shaft

The shaft can be extended or shortened for ease of use.

1. Remove the battery pack.
2. Loosen the telescoping shaft coupler by turning it counterclockwise. Slide the shaft to the desired position.
3. Tighten the coupler by turning clockwise. Make sure the shaft is securely tightened before reinstalling the battery pack.

PIVOTING HEAD



- A. Pivot button
- B. Notches

1. Remove the battery pack.
2. Place the power scrubber on a sturdy flat surface.
3. Push pivot button and adjust motor head until it snaps securely into place at one of the six positions indicated by the notches.

OPERATING THE POWER SCRUBBER



1. Select the appropriate brush accessory.
2. Adjust the pivoting head, and telescoping shaft to a comfortable operating position.
3. Install the battery pack.
4. Hold the power scrubber with your right hand on the rear handle and your left hand on the front grip. Keep a firm grip with both hands while in operation.
5. The power scrubber should be held at a comfortable position with the rear handle about hip height.
6. Using your right hand, fully depress the on/off button to start the power scrubber.
7. Move the unit forward and back over the surface to be cleaned.

NOTE: Move slowly when learning to use the unit and when scrubbing tough or difficult stains.

NOTE: Do not press down on the unit or keep the unit in one place over an extended period of time. Doing so could damage the surface being cleaned.

8. When scrubbing is complete, fully depress the on/off button to turn the motor off, and wait for the brush accessory to stop spinning.
9. Remove the battery pack.
10. Remove the brush accessory as described earlier and clean thoroughly.

NOTICE: Dirt and debris can damage delicate surfaces. Thoroughly rinse the brush accessory before use and continue to do so at regular intervals during use. Thoroughly clean the brush accessory after use. Allow to dry and always store brush accessory without bending the bristles.

MAINTENANCE

WARNING: When servicing, use only identical replacement parts. Use of any other part could create a hazard or cause product damage.

WARNING: Always wear eye protection with side shields marked to comply with ANSI Z87.1. Failure to do so could result in objects being thrown into your eyes and other possible serious injuries.

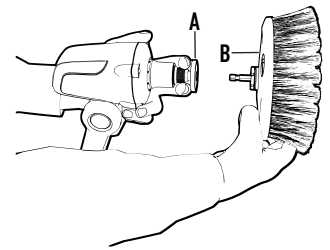
WARNING: To avoid serious personal injury, always remove the battery pack from the tool when cleaning, performing any maintenance, or when storing the tool.

WARNING: Do not at any time let brake fluids, gasoline, petroleum-based products, penetrating oils, etc., come in contact with plastic parts. Chemicals can damage, weaken or destroy plastic which could result in serious personal injury.

GENERAL MAINTENANCE

Avoid using solvents when cleaning plastic parts. Most plastics are susceptible to damage from various types of commercial solvents and can be damaged by their use. Use clean cloths to remove dirt, dust, oil, grease, etc.

REPLACING THE BRUSH ACCESSORY



- A. Connector
- B. Brush attachment

After extended use, the brush accessory may wear and need replacing. If you drop the tool and damage the brush accessory it may also be necessary for you to replace it. Refer to Installing/Removing Brush Accessories earlier in this manual.

ACCESSORIES

EVERY ONEPWR BATTERY WORKS WITH EVERY ONEPWR PRODUCT.		PARTS AND ACCESSORIES:	
Battery:	Model#	1.5A Charger	BH05000
2.0 Ah	BH15020; BH19020V	Dual Bay Charger	BH05200; BH05200V
4.0 Ah	BH15240; BH19240V; BH25040; BH29040V	0.5A Compact Charger	440014514
8.0 Ah	BH25280; BH29280V	0.5A Compact Charger	440014913
		1.5A Compact Charger	440014513
		1.5A Compact Charger	440014914
		Fast Charger	BH05140

WARRANTY

LIMITED WARRANTY FOR HOOVER® PRODUCT / 3 (THREE) YEAR LIMITED WARRANTY (DOMESTIC USE)

Failure to register the product does not diminish product warranty rights.

If this product is not as warranted, contact TTI Floor Care North America Customer Service at **1-800-944-9200**. Please have available the proof of purchase and model number for the warranted product.

WHAT THIS WARRANTY COVERS: This limited warranty provided by Royal Appliance Mfg. Co., doing business as TTI Floor Care North America (referred to hereafter as "Warrantor") applies only to products purchased in the U.S. (including its territories and possessions), a U.S. Military Exchange, or Canada. When used and maintained in normal household use and in accordance with the Owner's Guide, this product is warranted against original defects in material and workmanship for 3 (Three) year from the date of original purchase (the "Warranty Period"). If Warrantor determines that the issue you are experiencing is covered under the terms of this warranty (a "covered warranty claim"), we will, at our sole discretion and free of charge (subject to the cost of shipping), either (i) repair your product; (ii) ship you a replacement product, subject to availability; or (iii) in the event that the applicable parts or replacement are not reasonably available, ship you a similar product of equal or greater value. In the unlikely event that we are unable to repair your product or ship a replacement or similar product, we reserve the right, at our sole discretion, to issue

you a refund or store credit (if applicable) of the actual purchase price at the time of the original purchase as reflected on the original sales receipt. Parts and replacements may be new, refurbished, lightly used, or remanufactured, in Warrantor's sole discretion.

WHO THIS LIMITED WARRANTY COVERS: This limited warranty extends only to the original retail purchaser, with original proof of purchase from Warrantor or an authorized dealer of Warrantor products, in the U.S., U.S. Military Exchanges, and Canada.

WHAT THIS WARRANTY DOES NOT COVER: This warranty does not cover use of the product in a commercial operation (such as maid, janitorial, and equipment rental services, or any other income-generating activity); improper maintenance of the product; the product if it has been subject to misuse, negligence, neglect, vandalism, or the use of voltages other than that on the data plate of this product. This warranty does not cover damage resulting from an act of God, accident, owner's acts or omissions, service of this product by other than Warrantor or a Warrantor authorized service provider (if applicable), or other acts beyond the control of Warrantor. This warranty also does not cover use outside the country in which the product was initially purchased, or resale of the product by the original owner. Pick-up, delivery, transportation, and house calls are not covered by this warranty. In

addition, this warranty does not cover any product that has been altered or modified, or repairs made necessary by normal wear or the use of other products, parts, or accessories which are either incompatible with this product or adversely affect this product's operation, performance, or durability. Normal wear items are not covered under this warranty. Depending on the product, normal wear items may include, but are not limited to, belts, filters, brush rolls, blower fans, blower and vacuum tubes, and vacuum bags and straps.

OTHER IMPORTANT TERMS: This warranty is not transferable and may not be assigned; any assignment made in contravention of this prohibition is void. This warranty shall be governed and construed under the laws of the state of North Carolina. The Warranty Period will not be extended by any replacement of batteries, parts, or products or by virtue of any repair performed under this warranty.

THIS LIMITED WARRANTY IS THE EXCLUSIVE WARRANTY AND REMEDY, AND ALL EXPRESS AND IMPLIED WARRANTIES OTHER THAN THE LIMITED WARRANTY SET FORTH ABOVE, INCLUDING IMPLIED WARRANTIES OF MERCHANTABILITY AND FITNESS FOR A PARTICULAR PURPOSE, ARE EXPRESSLY DISCLAIMED. IN NO EVENT WILL WARRANTOR BE LIABLE FOR ANY SPECIAL, INDIRECT, INCIDENTAL OR CONSEQUENTIAL DAMAGES OF ANY KIND OR NATURE TO OWNER OR ANY PARTY CLAIMING THROUGH OWNER, WHETHER BASED IN CONTRACT,

NEGLIGENCE, TORT, OR STRICT PRODUCTS LIABILITY OR ARISING FROM ANY CAUSE WHATSOEVER, EVEN IF THIS WARRANTY FAILS OF ITS ESSENTIAL PURPOSE. TO THE EXTENT PERMITTED BY APPLICABLE LAW, NO WARRANTIES THAT ARISE BY OPERATION OF LAW, IF APPLICABLE, SHALL EXCEED THE DURATION OF THE LIMITED WARRANTY PROVIDED HEREIN. Warrantor's liability for damages to you for any costs whatsoever arising out of this statement of limited warranty shall be limited to the amount paid for this product at the time of original purchase.

Some states do not allow the exclusion or limitation of incidental or consequential damages, disclaimers of implied warranties, or limitations on the duration of implied warranties, so the above exclusions, disclaimers, and/or limitations may not apply to you. This warranty gives you specific legal rights, and you may also have other rights, which vary from state to state.

GENUINE PARTS AND ACCESSORIES: We recommend using only with genuine HOOVER® solutions (for carpet and spot cleaners), parts, and accessories. Damage caused by use with other than genuine HOOVER® solutions, parts, and accessories is not covered by and may void your warranty.



ONEPWR® 20V TÉLESCOPAGE

CAOUTCHOUC À EFFET DE LEVIER

GUIDE D'UTILISATION

IMPORTANT : VEUILLEZ LIRE ATTENTIVEMENT TOUTES LES INSTRUCTIONS AVANT D'ASSEMBLER ET D'UTILISER CET APPAREIL.

Ce produit est destiné à un usage domestique seulement. La garantie est nulle si l'appareil est utilisé à des fins commerciales

CONSERVER CE MANUEL POUR FUTURE REFERENCE

AVERTISSEMENT : Pour réduire les risques de blessures, l'utilisateur doit lire et veiller à bien comprendre le manuel d'utilisation avant d'employer ce produit.

INSTRUCTIONS DE SÉCURITÉ IMPORTANTES

AVERTISSEMENT : Lire attentivement toutes les instructions. Le non-respect de toutes les instructions ci-dessous peut entraîner un choc électrique, un incendie et/ou des blessures graves.

AVERTISSEMENT : Pour réduire le risque de choc électrique, ne pas exposer l'appareil à la pluie. L'entreposer à l'intérieur.

AVERTISSEMENT : Pour réduire le risque de choc électrique et de feu, utiliser uniquement les produits nettoyants Hoover conçus pour un usage avec cet appareil.

- Porter des vêtements appropriés. Ne porter ni vêtements amples ni bijoux. Confiner les cheveux longs. Garder les cheveux, les vêtements amples, les doigts ainsi que toutes les parties du corps et des vêtements à l'écart des ouvertures et des pièces en mouvement. Les vêtements amples, bijoux et cheveux longs peuvent se prendre dans les pièces en mouvement.
- Ne pas travailler hors de portée. Toujours se tenir bien campé et en équilibre. Une bonne tenue et un bon équilibre permettent de mieux contrôler l'aspirateur à main en cas de situation imprévue. Ne pas utiliser le produit sur une échelle ou un support instable.

- Utiliser l'équipement de sécurité. Un masque filtrant doit être porté dans les environnements poussiéreux.
- Ne pas laisser les enfants utiliser le produit à main ou s'en servir comme un jouet. Porter une attention particulière lorsque des enfants se trouvent à proximité.
- Utiliser ce produit à main SEULEMENT pour les applications pour lesquelles il est conçu, selon les instructions de ce manuel. Utiliser exclusivement les accessoires recommandés dans ce manuel.
- Si le produit ne fonctionne pas correctement, a été échappé, endommagé, laissé à l'extérieur ou tombé dans l'eau, retournez-le au centre de service le plus proche.
- Ne manipulez pas la fiche du chargeur ou le produit avec les mains mouillées.
- Redoubler de prudence lors de l'utilisation dans des escaliers.
- Ne pas incinérer cet appareil, même s'il est fortement endommagé. Les piles peuvent exploser si elles sont jetées au feu.
- Le produit n'a pas besoin d'être branché sur une prise électrique, il est donc toujours en état de fonctionnement. Soyez conscient des risques potentiels lors de l'utilisation du produit ou lors du changement d'accessoires.

- Pour réduire les risques de blessures dus aux pièces mobiles, retirer le bloc-piles avant tout entretien.
- Lorsque le bloc-piles n'est pas en usage, le tenir à l'écart d'articles métalliques tels que : les attaches trombones, pièces de monnaie, clés, clous, vis et autres petits objets métalliques risquant d'établir le contact entre les deux bornes. La mise en court-circuit des bornes de piles peut causer des étincelles, des brûlures ou un incendie.
- Toujours retirer le bloc-piles de l'outil au moment d'assembler des pièces, d'effectuer des réglages et de procéder au nettoyage, ou lorsque l'outil n'est pas utilisé. Le fait de retirer le bloc-piles permet d'empêcher un démarrage accidentel pouvant entraîner des blessures graves.
- Ne pas utiliser un bloc-piles endommagé ou modifié. Le bris ou la modification du bloc-piles peut causer un comportement imprévisible et causer un incendie, une explosion ou des blessures.
- Ne modifiez pas ou n'essayez pas de réparer une batterie qui a été endommagée.
- Les piles peuvent exploser en présence d'une source d'inflammation, telle qu'une chaleur excessive ou une veilleuse. Pour réduire le risque de blessures graves, n'utilisez jamais de produit sans fil en présence d'une flamme nue ou à des températures supérieures à 265° F. Une batterie explosée peut propulser des débris et des produits chimiques. En cas d'exposition, rincer immédiatement à l'eau.
- Éviter les démarrages accidentels. S'assurer que le commutateur est en position d'arrêt avant de brancher l'outil. Porter un outil avec le doigt sur son commutateur ou brancher un outil dont le commutateur est en position de marche peut causer un accident.
- En cas d'usage abusif, du liquide peut s'échapper des piles. Éviter tout contact avec ce liquide. En cas de contact accidentel, rincer immédiatement les parties atteintes avec de l'eau. En cas d'éclaboussure dans les yeux consulter un médecin. Le liquide s'échappant des piles peut causer des irritations ou des brûlures.
- Protection respiratoire. Porter un masque facial ou un masque anti-poussière si le travail produit de la poussière. Le respect de cette règle réduira les risques de blessures graves.
- Vérifier qu'aucune pièce mobile n'est mal alignée ou bloquée, qu'aucune pièce n'est brisée et s'assurer qu'aucun autre problème ne risque d'affecter le bon fonctionnement de l'outil. En cas de dommages, faire réparer l'outil avant de l'utiliser de nouveau. Plusieurs accidents sont causés par des produits mal entretenus.
- Utiliser exclusivement les accessoires recommandés par le fabricant pour le modèle d'outil. Des accessoires appropriés pour un outil peuvent être dangereux s'ils sont utilisés avec un autre.
- Suivre toutes les instructions afférentes à la recharge et ne pas recharger le bloc-piles ou l'appareil hors des températures spécifiées dans les instructions. Une recharge incorrecte ou hors des températures spécifiées.
- Ne jamais laisser de liquides tels que, l'essence, les produits à base de pétrole, les huiles pénétrantes, etc., entrer en contact avec les pièces en plastique. Ces liquides contiennent

AVERTISSEMENT CONCERNANT L'ÉLIMINATION DE LA PILE - RISQUE D'EXPLOSION OU D'EXPOSITION AUX MATIÈRES TOXIQUES.

BATTERIE AU LITHIUM-ION

La pile doit être recueillie, recyclée ou éliminée dans le respect de l'environnement. Le sceau de recyclage des batteries au lithium-ion de la RBRC certifié par l'EPA indique que Techtronic Industries, société affiliée à Hoover, Inc., participe volontairement à un programme de collecte et de recyclage des batteries usagées au Canada et aux États-Unis. Le programme de recyclage de la RBRC offre une solution de recharge pratique qui permet d'éviter que les piles soient jetées à la poubelle ou dans les ordures ménagères municipales, ce qui pourrait être illégal dans votre région. Visitez le www.rbrc.org/call2recycle/ pour obtenir de plus amples renseignements sur le recyclage des piles au lithium-ion ainsi que sur les interdictions et les restrictions relatives à l'élimination de ces piles dans votre région. La participation de Hoover, Inc. à ce programme témoigne de son engagement à protéger l'environnement et les ressources naturelles.



VOUS AVEZ UNE QUESTION?

HOOVER® A LA RÉPONSE!



COMMENCEZ PAR LE SOUTIEN HOOVER.COM/HELP

NE RETOURNEZ PAS LE PRODUIT EN MAGASIN

Consultez d'abord les ressources accessibles en tout temps, notamment:

FAQs
VIDÉOS DE PRÉSENTATION
VIDÉOS DE DÉPANNAGE

Contactez
Obtenez de l'aide
maintenant chat avec nous !
Tous les jours 8h - 20h EST

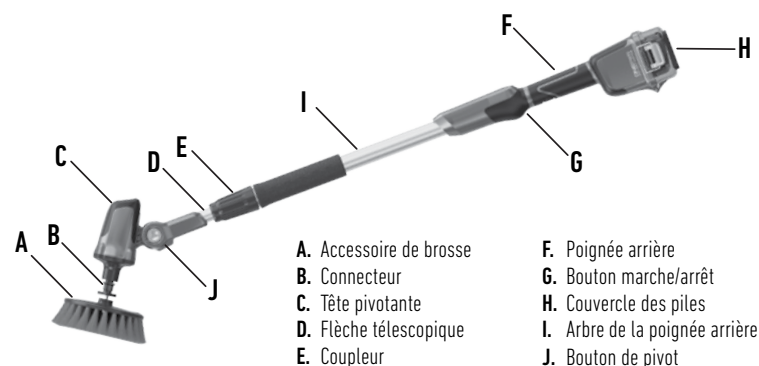
chimiques susceptibles d'endommager, d'affaiblir ou de détruire le plastique.

- Demander à un réparateur qualifié d'effectuer la réparation en utilisant des pièces de rechange identiques. Ceci assurera la bonne sécurité du produit réparé.
- Aucune pièce de ce produit ne peut être réparée par l'utilisateur.
- Conserver ces instructions. Les consulter fréquemment et les utiliser pour instruire les autres utilisateurs éventuels. Si ce produit est prêt, il doit être accompagné de ces instructions.
- Ne pas recharger le pile dans un endroit humide ou mouillé. Ne pas utiliser, remettre ou charger le bloc-piles ou produits dans des emplacements où la température est inférieure 10 °C (50 °F) à ou supérieure à 38 °C (100 °F). Ne pas ranger l'outil à l'extérieur ou dans un véhicule.
- Ne recharger qu'avec l'appareil spécifié par le fabricant. Un chargeur approprié pour un type de pile peut créer un risque d'incendie s'il est utilisé avec un autre type de pile.
- Utiliser exclusivement le bloc-pile spécifiquement indiqué pour l'outil. L'usage de tout autre bloc peut créer un risque de blessures et d'incendie.
- Ne pas exposer le bloc-piles ou l'outil près d'un incendie ou à une température extrême. L'exposition à un incendie ou à une température supérieure à 130 °C (265 °F) représente un risque d'explosion.
- Ne jamais laisser de liquides tels que, l'essence, les produits à base de pétrole, les huiles pénétrantes, etc., entrer en contact avec les pièces en plastique. Ces liquides contiennent chimiques susceptibles d'endommager, d'affaiblir ou de détruire le plastique.
- Demander à un réparateur qualifié d'effectuer la réparation en utilisant des pièces de rechange identiques. Ceci assurera la bonne sécurité du produit réparé.
- Aucune pièce de ce produit ne peut être réparée par l'utilisateur.
- Conserver ces instructions. Les consulter fréquemment et les utiliser pour instruire les autres utilisateurs éventuels. Si ce produit est prêt, il doit être accompagné de ces instructions.
- Ne pas recharger le pile dans un endroit humide ou mouillé. Ne pas utiliser, remettre ou charger le bloc-piles ou produits dans des emplacements où la température est inférieure 10 °C (50 °F) à ou supérieure à 38 °C (100 °F). Ne pas ranger l'outil à l'extérieur ou dans un véhicule.
- Ne recharger qu'avec l'appareil spécifié par le fabricant. Un chargeur approprié pour un type de pile peut créer un risque d'incendie s'il est utilisé avec un autre type de pile. Ne pas utiliser le chargeur à l'extérieur.
- Utiliser exclusivement le bloc-pile spécifiquement indiqué pour l'outil. L'usage de tout autre bloc peut créer un risque de blessures et d'incendie.
- Ne pas exposer le bloc-piles ou l'outil près d'un incendie ou à une température extrême. L'exposition à un incendie ou à une température supérieure à 130 °C (265 °F) représente un risque d'explosion

AVERTISSEMENTS DE SÉCURITÉ POUR LA BROSSEUSE ÉLECTRIQUE

- Apprendre à connaître l'outil. Lire attentivement le manuel d'utilisation. Apprendre les applications et les limites de l'outil, ainsi que les risques spécifiques relatifs à son utilisation. Le respect de cette consigne réduira les risques d'incendie, de choc électrique et de blessures graves.
- Toujours porter une protection oculaire munie d'écrans latéraux certifiée conforme à la norme ANSI Z87.1 lors du montage des pièces, du fonctionnement de l'outil ou au moment de l'entretien. Le respect de cette règle réduira les risques de blessures graves.
- Ce produit convient pour l'usage d'intérieur et extérieur.
- Vérifier que l'accessoire de brosse est correctement installé avant l'utilisation.
- Ne pas forcer la brosseuse dans des espaces restreints pendant son utilisation.
- Ne pas toucher les accessoires en rotation lorsque le produit est utilisé.
- Les outils fonctionnant sur piles n'ayant pas besoin d'être branchés sur une prise secteur, ils sont toujours en état de fonctionnement. Tenir compte des dangers possibles lorsque l'outil n'est pas en usage et lors du remplacement des piles. Le respect de cette consigne réduira les risques d'incendie, de choc électrique et de blessures graves.
- Ne pas placer les outils électriques sans fil ou leurs piles à proximité de flammes ou d'une source de chaleur. Ceci réduira les risques d'explosion et de blessures.
- Ne pas écraser, faire tomber ou endommager le bloc-piles. Ne jamais utiliser un bloc-piles ou un chargeur qui est tombé, a été écrasé, a reçu un choc violent ou a été endommagé de quelque façon que ce soit. Une pile endommagée risque d'exploser. Éliminer immédiatement toute pile endommagée, selon une méthode appropriée.
- Les piles peuvent exploser en présence d'une source d'allumage, telle qu'une veilleuse. Pour réduire les risques de blessures graves, ne jamais utiliser un appareil sans fil, quel qu'il soit, en présence d'une flamme vive. En explosant, une pile peut projeter des débris et des produits chimiques. En cas d'exposition, rincer immédiatement les parties atteintes avec de l'eau.
- Si l'outil est utilisé de façon intensive ou sous des températures extrêmes, des fuites de pile peuvent se produire. En cas de contact du liquide avec la peau, rincer immédiatement la partie atteinte avec de l'eau. En cas d'éclaboussure dans les yeux, les rincer à l'eau fraîche pendant au moins 10 minutes, puis contacter immédiatement un médecin. Le respect de cette règle réduira les risques de blessures graves.

CARACTÉRISTIQUES



FICHE TECHNIQUE

Moteur	20 V c.c
Vitesse à vide (tours par minute)	environ 210 min (RPM)
Imperméable à l'eau	IPX8*

*Taux d'étanchéité : Précise la protection environnementale dont profite le boîtier. Ce produit a une classification IPX8, ce qui signifie qu'il peut résister à une immersion dans l'eau jusqu'à 1 m pendant 30 minutes maximum.

ATTENTION : POUR RÉDUIRE LES RISQUES DE BLESSURES DUS AUX PIÈCES MOBILES, RETIRER LE BLOC-PILES AVANT TOUT ENTRETIEN.

- Conserver ces instructions. Les consulter fréquemment et les utiliser pour instruire les autres utilisateurs éventuels. Si cet outil est prêt, il doit être accompagné de ces instructions.

COUVERCLE DES PILES

Le couvercle de pile protège le logement de piles et pile contre la présence d'humidité et les débris.

POIGNÉE ARRIÈRE AVEC SURMOULAGE

Le poignée arrière avec surmoulage procure un confort d'utilisation plus grand.

FLÈCHE TÉLESCOPIQUE

La brosseuse peut être ajustée à différents points d'extension pour faciliter son utilisation.

ASSEMBLAGE

DÉBALLAGE

Cet produit doit être assemblé.

- Avec précaution, sortir l'outil et les accessoires de la boîte. Tous les articles énumérés sous Inclut doivent se trouver dans l'emballage au moment de l'achat.

AVERTISSEMENT : Certaines pièces figurant dans cette section Assemblage n'ont pas été installées sur le produit par le fabricant et exigent une installation du client. Le fait d'utiliser un produit qui a été assemblé de façon inadéquate peut entraîner des blessures.

Si des pièces sont manquantes ou endommagées, appeler le 1-800-944-9200.

AVERTISSEMENT : Ne pas essayer de modifier cet produit ou de créer des accessoires non recommandés pour l'produit. De telles altérations ou modifications sont considérées comme un usage abusif et peuvent créer des conditions dangereuses, risquant d'entraîner des blessures graves.

AVERTISSEMENT : Si des pièces manquent ou sont endommagées, ne pas utiliser cet outil avant qu'elles aient été remplacées. Le fait d'utiliser ce produit même s'il contient des pièces endommagées ou s'il lui manque des pièces pouvant entraîner des blessures graves.

AVERTISSEMENT : Pour empêcher un démarrage accidentel pouvant entraîner des blessures graves, toujours retirer le batterie de l'produit avant d'assembler des pièces.

UTILISATION

AVERTISSEMENT : Ne pas laisser la familiarité avec l'outil faire oublier la prudence. Ne pas oublier qu'une fraction de seconde d'inattention peut entraîner des blessures graves.

AVERTISSEMENT : Toujours retirer le bloc-piles de l'outil au moment d'assembler des pièces, d'effectuer des réglages et de procéder au nettoyage, ou lorsque l'outil n'est pas utilisé. Si cette précaution n'est pas prise, des objets peuvent être projetés dans les yeux et causer des lésions graves.

AVERTISSEMENT : Toujours porter une protection oculaire avec écrans latéraux certifiée conforme à la norme ANSI Z87.1. Si une opération dégage de la poussière, porter également un masque anti-poussière.

AVERTISSEMENT : Ne pas essayer de modifier cet outil ou de créer des accessoires non recommandés pour ce produit. L'utilisation de pièces et accessoires non recommandés peut entraîner des blessures graves.

AVERTISSEMENT : Ne pas utiliser la brosseuse électrique avec le couvercle ouvert. Une porte ouverte pourrait exposer la pile et le logement de la pile à l'humidité ce qui pourrait augmenter le risque de choc électrique.

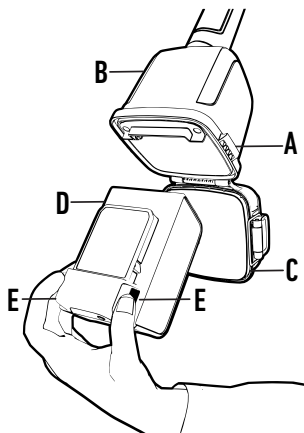
AVERTISSEMENT : Ne pas placer la main entre la tête pivotante et la flèche télescopique. Le positionnement de la main ou des doigts à cet endroit peut causer une blessure par pincement. La perche peut être déployée ou rétractée pour en faciliter l'utilisation.

APPLICATIONS

Cet outil ne doit être utilisé que pour les applications listées ci-dessous :

- La brosseuse électrique peut être utilisée pour nettoyer les surfaces extérieures et intérieures.
- Ce produit n'est pas à usage commercial.

INSTALLATION / RETRAIT DU BLOC-PILES



- A. Ergot
- B. Logement de batteries
- C. Couvercle des piles
- D. Bloc-piles
- E. Loquets

1. Déverrouiller les languettes et ouvrir le couvercle de la batterie.
 2. Insérer la pile dans l'outil comme illustré.
 3. S'assurer que les loquets de chaque côté de la pile s'enclenchent en place et que la pile est bien fixée à l'outil avant de mettre l'outil en marche.
 4. Fermeture la couvercle des piles et verrouiller l'ergot.
 5. Pour retirer, ouvrir la couvercle et appuyer sur les loquets de chaque côté du piles..
- Pour prendre connaissance des consignes de chargement, consulter le manuel d'utilisation des piles et des chargeurs.

CHOIX DE ACCESSOIRES DE BROSSÉ

Il est important de sélectionner le bon type d'accessoire de brosse afin d'obtenir les meilleures performances. Sélectionner l'accessoire de brosse en fonction de l'application et de la surface à nettoyer. La sélection du bon accessoire de brosse vous aidera à nettoyer plus efficacement et à protéger la surface à nettoyer. Avant de commencer un projet, toujours tester la brosse dans une zone peu visible de la surface afin de réduire les risques de dommages matériels.

NOTE : Un accessoire de brosse à poils moyens est inclus avec votre brosseuse électrique. Vous pouvez acheter des accessoires de brosse à poils durs et doux à l'endroit où vous avez acheté ce produit.

GUIDE DE SÉLECTION DES ACCESSOIRES DE BROSSÉ	
	Poils doux (Blanc) AH84100 Nettoyage légers
	Poils moyens (Rouge) AH84200 Nettoyage générale
	Poils durs (Noir) AH84300 Nettoyage à haut rendement
	Kit de 3 brosses à poils de 6 pouces

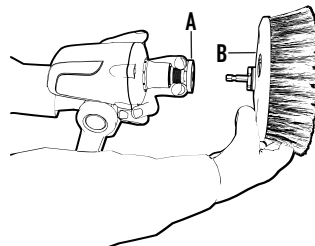
INSTALLATION/RETRAIT DES ACCESSOIRES DE BROSSÉ

1. Retirer le bloc-piles.
2. Aligner le trou triangulaire de l'accessoire de brosse avec le goujon triangulaire du connecteur.
3. Faire glisser l'accessoire de brosse sur le connecteur.
4. Tenir le manchon du connecteur et faire tourner l'accessoire de brosse dans le sens antihoraire pour le verrouiller en place.

NOTE : Lorsqu'il est verrouillé, le trou et le goujon triangulaires seront mal alignés.

5. Tenir le manchon du connecteur et faire tourner l'accessoire de brosse dans le sens horaire pour le déverrouiller et le retirer.

NOTE : Lorsqu'il est déverrouillé, le trou et le goujon triangulaires seront alignés.



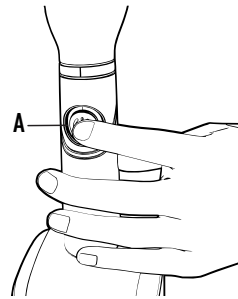
- A. Connecteur
- B. Accessoire de brosse

1. Retirer le bloc-batterie.
 2. Alignez la mèche hexagonale de la brosse sur l'ouverture hexagonale de la tête du moteur.
 3. Maintenez le collier en arrière et insérez l'embout hexagonal de la brosse dans le récepteur. Relâchez le collier et la brosse émettra un "clic" lorsqu'elle sera verrouillée en place.
- REMARQUE :** Lorsque la brosse est verrouillée en place, le collier est en position avant.
4. Pour retirer la brosse, tirez et maintenez le collier du récepteur vers l'arrière tout

en poussant l'embout hexagonal hors du récepteur.

REMARQUE : Le collier du récepteur doit être maintenu en position arrière pour commencer à retirer la brosse.

MISE EN MARCHÉ ET ARRÊT DU BROSSÉUSE ÉLECTRIQUE



- A. Bouton Marche/Arrêt

POUR FAIRE DÉMARRER LE MOTEUR :

Appuyer complètement sur le bouton marche/arrêt pour démarrer le moteur.

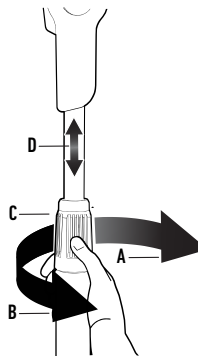
NOTE : Lorsque le moteur est en marche, l'accessoire de brosse tourne continuellement.

POUR FAIRE ARRANCAR LE MOTEUR :

Fully depress the on/off button to stop the motor.

NOTE : Lorsque le moteur est éteint, l'accessoire de brosse cesse de tourner.

FLÈCHE TÉLESOPIQUE

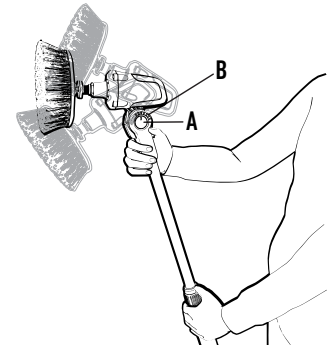


- A. Serrer
- B. Desserrer
- C. Coupleur
- D. Arbre télescopique

La perche peut être déployée ou rétractée pour en faciliter l'utilisation.

1. Retirer le bloc-piles.
2. Desserrer le coupleur du flèche télescopique en le tournant dans le sens antihoraire. Glisser la perche jusqu'à la position désirée.
3. Serrer le coupleur en le tournant dans le sens horaire. S'assurer que le bras est serré fermement avant de réinstaller le bloc-piles.

TÊTE PIVOTANTE



- A. Bouton de pivot
- B. Encoches

1. Retirer le bloc-piles.
2. Placer la brosseuse électrique sur une surface plane et stable.
3. Appuyer sur le bouton de pivot et régler la tête du moteur de manière à ce qu'elle s'enclenche solidement dans l'une des six positions indiquées par les encoches.

AVERTISSEMENT : Ne pas placer la main entre la tête pivotante et la flèche télescopique. Le positionnement de la main ou des doigts à cet endroit peut causer une blessure par pincement.

UTILISATION DE LA BROSSÉUSE ÉLECTRIQUE



1. Sélectionner l'accessoire de brosse approprié.
2. Régler la tête pivotante et la flèche télescopique dans une position de travail confortable.
3. Insérer le bloc-piles.
4. Tenir la brosseuse électrique avec votre main droite sur la poignée arrière et votre main gauche sur la poignée avant. Garder une prise ferme sur les deux poignées pendant le fonctionnement.
5. La brosseuse électrique doit être maintenue dans une position confortable avec la poignée arrière à peu près à la hauteur des hanches.
6. Avec la main droite, appuyer à fond sur le bouton marche/arrêt pour faire démarrer la brosseuse électrique.
7. Déplacer l'unité vers l'avant et l'arrière sur la surface à nettoyer.

NOTE : Se déplacer lentement lorsque vous apprenez à utiliser l'appareil et lorsque vous frottez des taches tenaces ou difficiles.

NOTE : Ne pas appuyer sur l'appareil et ne pas le maintenir au même endroit pendant une période prolongée. Cela pourrait endommager la surface à nettoyer.

8. Lorsque le brossage est terminé, appuyer à fond sur le bouton marche/arrêt pour éteindre le moteur, et attendre que l'accessoire de brosse cesse de tourner.

9. Retirer le bloc-piles.

10. Retirer l'accessoire de brosse tel que décrit précédemment et le nettoyer soigneusement.

AVIS : La saleté et les débris peuvent endommager les surfaces délicates. Avant de l'utiliser, rincer soigneusement l'accessoire de brosse et le faire à intervalles réguliers. Nettoyer soigneusement l'accessoire de brosse après l'utilisation. Laisser sécher et toujours ranger l'accessoire de brosse sans plier les poils.

ENTRETIEN

AVERTISSEMENT : Utiliser exclusivement des pièces d'origine pour les réparations. L'usage de toute autre pièce pourrait créer une situation dangereuse ou endommager l'appareil.

AVERTISSEMENT : Toujours porter une protection oculaire avec écrans latéraux certifiée conforme à la norme ANSI Z87.1. Si cette précaution n'est pas prise, des objets peuvent être projetés dans les yeux et causer des lésions graves.

AVERTISSEMENT : Pour empêcher un démarrage accidentel pouvant entraîner des blessures graves, toujours retirer le bloc-piles de l'outil avant tout nettoyage ou entretien.

AVERTISSEMENT : Ne jamais laisser de liquides tels que le fluide de freins, l'essence, les produits à base de pétrole, les huiles pénétrantes, etc., entrer en contact avec les pièces en plastique. Les produits chimiques peuvent endommager, affaiblir ou détruire le plastique, ce qui peut entraîner des blessures graves.

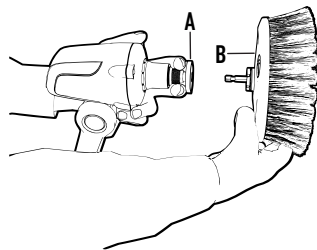
ACCESSOIRES

CHAQUE BATTERIE ONEPWR ^{MC} FONCTIONNE AVEC CHAQUE PRODUIT ONEPWR ^{MC} .		PIÈCES ET ACCESSOIRES :	
Batterie :	Modèle	1.5A Chargeur	BH05000
2.0 Ah	BH15020; BH19020V	Chargeur à deux baies	BH05200; BH05200V
4.0 Ah	BH15240; BH19240V; BH25040; BH29040V	0.5A Chargeur Charger	440014514
8.0 Ah	BH25280; BH29280V	0.5A Chargeur Charger	440014913
		1.5A Chargeur compact	440014513
		1.5A Chargeur compact	440014914
		Chargeur rapide	BH05140

ENTRETIEN GÉNÉRAL

Éviter d'utiliser des solvants pour le nettoyage des pièces en plastique. La plupart des matières plastiques peuvent être endommagées par divers types de solvants du commerce. Utiliser un chiffon propre pour éliminer la saleté, la poussière, l'huile, la graisse, etc.

REMPACEMENT DE L'ACCESSOIRE DE BROSSÉ



A. Connecteur

B. Accessoire de brosse

Après une longue utilisation, la brosse peut s'user et devoir être remplacée. Si l'accessoire de brosse est endommagé en raison d'une chute, il faudra peut-être le remplacer. Consulter la section Installation/retrait des accessoires de brosse plus haut dans ce manuel.

GARANTIE

GARANTIE LIMITÉE POUR LES PRODUITS HOOVER^{MD} / GARANTIE LIMITÉE DE TROIS ANS (UTILISATION DOMESTIQUE)

Le fait de ne pas enregistrer le produit ne diminue pas les droits de garantie du produit.

Si le présent produit ne fonctionne pas comme il a été annoncé, communiquez avec le service à la clientèle de TTI Floor Care North America en composant le **1 800 944.9200**. Assurez-vous d'avoir en main la preuve d'achat et le numéro de modèle du produit couvert par la garantie.

ÉLÉMENTS COUVERTS PAR LA PRÉSENTE GARANTIE :

Cette garantie limitée fournie par Royal Appliance Mfg. Co., exerçant ses activités sous TTI Floor Care North America (appelée « garant » ci-après) s'applique uniquement aux produits achetés aux États-Unis (y compris ses territoires et possessions), au Canada et par l'intermédiaire du programme d'échanges militaires américain. Ce produit est garanti pour des conditions normales d'utilisation et d'entretien domestiques, comme le stipule le Guide d'utilisation, contre les défauts de matériaux et de fabrication pour une période complète de trois ans à compter de la date d'achat (ci-après la « période de garantie »). Si le garant détermine que le problème que vous rencontrez est couvert en vertu des modalités de cette garantie (une « réclamation couverte par la garantie »), nous prendrons l'une des mesures suivantes à notre entière discrétion et sans frais (sous réserve du coût d'expédition) : i) nous réparerons votre produit, ii) nous vous expédierons un produit de rechange, selon la disponibilité des produits, ou iii) nous vous enverrons un produit similaire de valeur égale ou supérieure dans le cas où les pièces ou le produit de rechange applicables ne sont pas raisonnablement disponibles. Dans le cas peu probable où nous serions incapables de réparer votre produit ou d'expédier un produit de rechange ou un produit similaire, nous nous réservons le droit, à notre entière discrétion, de vous offrir un remboursement ou un crédit en magasin (le cas échéant) équivalant au prix d'achat réel en date de l'achat initial, comme indiqué sur le reçu de vente original. Les pièces de rechange peuvent être nouvelles, remises à neuf, légèrement utilisées ou réusinées, à l'entière discrétion du garant.

PERSONNES COUVERTES PAR LA PRÉSENTE GARANTIE :

La présente garantie limitée s'applique uniquement à l'acheteur original, avec une preuve d'achat provenant du garant ou d'un détaillant autorisé des produits du garant aux États-Unis, au Canada et par l'intermédiaire du programme d'échanges militaires américain.

ÉLÉMENTS NON COUVERTS PAR LA PRÉSENTE GARANTIE :

La présente garantie ne couvre pas toute utilisation commerciale du produit (p. ex., utilisation dans le cadre de services ménagers, de conciergerie ou de location de matériel ou de toute autre activité générant un revenu), l'entretien inadéquat du produit, l'utilisation inadéquate du produit, la négligence, les actes de vandalisme ou l'utilisation d'une tension électrique autre que celle indiquée sur la plaque signalétique de ce produit. La présente garantie ne couvre pas les dommages résultant d'un cas de force majeure, d'un accident, d'actes ou d'omission de la part du propriétaire, de l'entretien de ce produit autre que par le garant ou un fournisseur de service autorisé par le garant (le cas échéant) ou en raison d'autres

actes qui sont hors du contrôle du garant. La présente garantie ne couvre pas non plus l'utilisation à l'extérieur du pays d'achat initial du produit ni sa revente par le propriétaire original. La présente garantie ne couvre pas le ramassage, la livraison, le transport et la réparation à domicile. De plus, elle ne couvre pas les courroies, les produits qui ont été modifiés ou les réparations nécessaires en raison de l'usure normale ou de l'utilisation d'autres produits, pièces ou accessoires qui sont incompatibles avec ce produit ou qui nuisent à son fonctionnement, à son rendement ou à sa durabilité. Les articles ayant une usure normale ne sont pas couverts par cette garantie. Selon le produit, les articles ayant une usure normale peuvent comprendre, sans s'y limiter, les courroies, les filtres, les rouleaux-brosses, les ventilateurs soufflants, le souffleur et les tuyaux d'aspirateur, les sacs d'aspirateurs et les attaches.

AUTRES CONDITIONS IMPORTANTES : La présente garantie n'est pas transférable et ne peut être cédée; toute cession effectuée en violation de cette interdiction est annulée. La présente garantie sera régie et interprétée selon les lois de l'État de la Caroline du Nord. La période de garantie ne peut pas être prolongée par une réparation ou un remplacement des piles, des pièces ou des produits exécuté en vertu de la présente garantie.

LA PRÉSENTE GARANTIE LIMITÉE EST L'UNIQUE GARANTIE ET RECOURS ET TOUTE GARANTIE EXPLICITE OU IMPLICITE AUTRE QUE LA GARANTIE LIMITÉE PRÉSENTÉE CI-DESSUS, Y COMPRIS LES GARANTIES IMPLICITES DE QUALITÉ MARCHANDE ET DE CONVENANCE À UNE FIN PARTICULIÈRE, EST EXPRESSÉMENT DÉCLINÉE. LE GARANT NE POURRA EN AUCUN CAS ÊTRE TENU RESPONSABLE DE TOUT DOMMAGE INTÉRÊT SPÉCIAL OU DOMMAGE INDIRECT, ACCESSOIRE OU CONSÉCUTIF DE QUELQUE NATURE QUE CE SOIT SUBI PAR LE PROPRIÉTAIRE DU PRODUIT OU PAR TOUTE PARTIE RÉCLAMANT PAR L'INTERMÉDIAIRE DU PROPRIÉTAIRE, QU'ILS RELÈVENT DE LA RESPONSABILITÉ CONTRACTUELLE, DE LA NÉGLIGENCE, DE LA RESPONSABILITÉ CIVILE DÉLICTUELLE OU DE LA RESPONSABILITÉ STRICTE DU FAIT DES PRODUITS, OU QU'ILS DÉCOULENT DE QUELQUE CAUSE QUE CE SOIT, MÊME SI LA PRÉSENTE GARANTIE N'ATTEINT PAS SON OBJET ESSENTIEL. DANS LES LIMITES PERMISES PAR LA LOI APPLICABLE, AUCUNE GARANTIE RÉSULTANT D'UNE THÉORIE JURIDIQUE, LE CAS ÉCHÉANT, NE PEUT DÉPASSER LA DURÉE DE LA GARANTIE LIMITÉE AUX PRÉSENTES. La responsabilité du garant à votre endroit pour tous les coûts, quels qu'ils soient, découlant de cette déclaration de garantie limitée se limite au montant payé pour ce produit au moment de l'achat initial.

Certains États n'autorisent pas l'exclusion ni la restriction des dommages indirects ou accessoires, l'exclusion de garanties implicites ou les limites de durée d'une garantie implicite; par conséquent, les restrictions ou exclusions précédentes peuvent ne pas s'appliquer. La présente garantie vous donne des droits précis. Vous pouvez également avoir d'autres droits, lesquels varient d'une province à l'autre.

PIÈCES ET ACCESSOIRES D'ORIGINE : Nous vous recommandons d'utiliser uniquement des solutions (pour les shampooineuses), des pièces et des accessoires d'origine HOOVER^{MD}. Les dommages causés par l'utilisation d'autres solutions, pièces et accessoires que celles d'origine HOOVER^{MD} ne sont pas couverts par votre garantie et peuvent l'annuler.



ONEPWR® 20V TELESCÓPICO

GOMA DE POTENCIA
MANUAL DEL USUARIO

IMPORTANTE: LEA ESTE MANUAL CON ATENCIÓN ANTES DE ENSAMBLAR Y USAR ESTE APARATO.
El único uso previsto para este producto es el uso doméstico. Si se utiliza para uso comercial, se invalida la garantía.

GUARDE ESTE MANUAL PARA FUTURAS CONSULTAS

ADVERTENCIA: PARA REDUCIR EL RIESGO DE LESIONES, EL USUARIO DEBE LEER Y COMPRENDER EL MANUAL DEL OPERADOR ANTES DE USAR ESTE PRODUCTO.

INSTRUCCIONES IMPORTANTES DE SEGURIDAD

ADVERTENCIA: lea y comprenda todas las instrucciones. El incumplimiento de las instrucciones señaladas abajo puede causar descargas eléctricas, incendios y lesiones serias.

ADVERTENCIA: para reducir el riesgo de una descarga eléctrica no exponga la unidad a la lluvia. Guárdela en el interior.

ADVERTENCIA: para reducir el riesgo de incendio y descarga eléctrica, use solo productos de limpieza hoover diseñados para usar con esta máquina. To.

- Vístase de manera apropiada. No use ropas holgadas ni joyas. Recójase el cabello si está largo. Mantenga el cabello, la ropa holgada, los dedos y todas las partes del cuerpo o la ropa alejados de las aberturas y las piezas móviles. Las ropas holgadas, las joyas y el cabello largo pueden engancharse en las piezas internas móviles.
- No estires tu cuerpo para alcanzar mayor distancia. Mantenga una postura firme y un buen equilibrio en todo momento. La postura firme y el buen equilibrio permiten un mejor control del producto en situaciones inesperadas. No lo use mientras está parado en una escalera o en un soporte inestable.
- Use equipo de seguridad. Se debe usar mascarilla contra el polvo en las condiciones que así lo requieran.

- No permita que los niños usen o jueguen con la herramienta como un juguete. Se debe tener extrema precaución cuando se usa cerca de niños.
- Utilice este producto SOLAMENTE para los fines especificados en este manual. Solamente utilice accesorios recomendados en este manual.
- Si el producto no funciona correctamente, se ha caído, dañado, dejado al aire libre o se ha caído al agua, devuélvalo a su centro de servicio más cercano.
- No manipule el enchufe del cargador ni el producto con las manos mojadas.
- Tenga cuidado extremo al utilizar la unidad en escaleras.
- No incinere este aparato, incluso si está dañado seriamente. Pueden estallar y quedar envueltas en fuego las baterías.
- No es necesario enchufar el producto a una toma de corriente, por lo que siempre está en condiciones de funcionamiento. Tenga en cuenta los posibles peligros al usar el producto o al cambiar los accesorios.
- Para reducir el riesgo de lesiones por movilidad de las piezas, retire la batería antes de realizar el mantenimiento.
- Cuando no esté usando el paquete de baterías, manténgala alejado de todo objeto metálico como: clips, monedas, llaves, clavos, tornillos y otros objetos metálicos pequeños que puedan establecer conexión entre ambas terminales. Establecer una conexión directa entre las dos

terminales puede causar chispas, quemaduras o incendios.

- Siempre retire el paquete de baterías de la herramienta cuando esté ensamblando partes, realizando ajustes, limpiando o cuando ésta no esté en uso. Si retira el paquete de baterías, evitará arranques accidentales que podrían provocar lesiones graves.
- No utilice un paquete de baterías que esté dañado o modificado. Las baterías dañadas o modificadas pueden tener un funcionamiento impredecible que provoque incendios, explosiones o riesgo de lesiones.
- No modifique o intente reparar un paquete de baterías que esté dañado.
- Las baterías pueden explotar en presencia de una fuente de ignición, como calor excesivo o una llama piloto. Para reducir el riesgo de lesiones personales graves, nunca use ningún producto inalámbrico en presencia de una llama abierta o una temperatura superior a 265 °F. Una batería explotada puede impulsar escombros y productos químicos. Si se expone, enjuague con agua inmediatamente.
- Evite un arranque accidental de la unidad. Asegúrese de que el interruptor esté en la posición de apagado antes de conectar la herramienta. Portar las herramientas eléctricas con el dedo en el interruptor, o conectarlas con el interruptor puesto, propicia accidentes.
- Si se maltratan las baterías, puede derramarse líquido de las mismas; evite todo contacto con éste. En caso de contacto, lávese con agua. Si el líquido llega a tocar los ojos, además busque atención médica. El líquido de las baterías puede causar irritación y quemaduras.
- Protéjase los pulmones. Use una careta o mascarilla contra el polvo si la operación genera mucho polvo. Con el cumplimiento de esta regla se reduce el riesgo de lesiones corporales serias.
- Revise para ver si hay desalineación o atoramiento de piezas móviles, ruptura de piezas o toda otra condición que pueda afectar el funcionamiento de el producto. Si se daña la herramienta, llévela a servicio antes de volver a utilizarla. Numerosos accidentes son causados por herramientas mal cuidadas.
- Sólo utilice accesorios recomendados por el fabricante para cada modelo en particular. Accesorios que pueden ser adecuados para uno producto pueden significar un riesgo de lesiones si se emplean con otro producto.
- Siga todas las instrucciones de carga y no cargue el paquete de baterías ni el aparato fuera del rango de temperaturas especificado en las instrucciones. Si realiza la carga en forma incorrecta o fuera de las temperaturas del rango especificado puede dañar la batería y aumentar el riesgo de incendios.
- No permita que gasolina, aceites, productos a base de petróleo, etc., lleguen a tocar las piezas de plástico. Dichos productos contienen compuestos químicos que pueden dañar, debilitar o destruir el plástico.
- Verifique que un técnico de reparación calificado haga el mantenimiento usando solo repuestos idénticos. De esta manera se mantiene la seguridad del product.
- Este producto no contiene piezas que puedan repararse.
- Guarde estas instrucciones. Consúltelas con frecuencia y empléelas para instruir a otras personas que puedan utilizar esta aspiradora de

ADVERTENCIA SOBRE LA ELIMINACIÓN DE LA BATERÍA—RIESGO DE EXPLOSIÓN O EXPOSICIÓN A MATERIAL TÓXICO.

BATERÍAS DE IONES DE LITIO

La batería se debe recolectar, reciclar o desechar de una forma que no sea perjudicial para el medio ambiente. El Sello de Reciclado de Baterías RBRC certificado por la Agencia de Protección Ambiental (EPA, por sus siglas en inglés) que se encuentra en la batería de iones de litio (Li-ion) indica que Techtronic Industries, una filial de la empresa de Hoover, Inc., participa voluntariamente en un programa industrial para recolectar y reciclar estas baterías al final de su vida útil, cuando se sacan de servicio, en Estados Unidos o Canadá. El programa RBRC proporciona una buena alternativa a desechar las baterías de iones de litio utilizadas en la basura o en caudales de residuos municipales, lo que puede ser ilegal en su área. Visite la página www.rbrc.org/call2recycle/ para obtener información sobre las prohibiciones/restricciones en su área, en relación con el reciclado y desecho de las baterías de iones de litio. La participación de Hoover, Inc. en este programa es parte de nuestro compromiso con la preservación de nuestro medio ambiente y la conservación de nuestros recursos naturales.



¿TIENE UNA PREGUNTA?

¡HOOVER TIENE LA RESPUESTA!



COMIENZE CON
HOOVER.COM/HELP

NO DEVUELVA LA UNIDAD A LA TIENDA

Comience con recursos como estos todos los días de la semana:

**PREGUNTAS FRECUENTES
VIDEOS INSTRUCTIVOS
VIDEOS DE RESOLUCIÓN DE PROBLEMAS**

Contacto

**¡Obtenga ayuda ahora
chatee con nosotros!**

Todos los días 8am - 8pm EST

mano. Si presta a alguien este producto, preste también estas instrucciones.

- No cargue la batería en un lugar húmedo o mojado. No use, almacene o cargue paquetes de baterías o productos en lugares donde la temperatura sea inferior a 50° F o superior a 100° F. No almacene al aire libre o en vehículos.
- Use los electrodomésticos solo con paquetes de baterías especialmente designados. El uso de cualquier otro paquete de baterías puede crear un riesgo de incendio cuando se usa con otro paquete de baterías. No utilice el cargador al aire libre.
- Utilice las herramientas eléctricas sólo con los paquetes de baterías específicamente indicados. El empleo de paquetes de baterías diferentes puede presentar un riesgo de incendio.
- No exponga el paquete de baterías o una herramienta al fuego o a temperaturas excesivas. La exposición al fuego o a temperatura sobre los 130 °C (265 °F) puede provocar explosiones.

ADVERTENCIAS DE SEGURIDAD DEL LIMPIADOR ELÉCTRICO

- Familiarícese con su herramienta eléctrica. Lea cuidadosamente el manual del operador. Aprenda sus usos y limitaciones, así como los posibles peligros específicos de esta herramienta eléctrica. Con el cumplimiento de esta regla se reduce el riesgo de una descarga eléctrica, incendio o lesión seria.
- Siempre use protección ocular con laterales protectores con la marca de cumplimiento con la norma ANSI Z87.1 al ensamblar piezas, utilizar la herramienta o llevar a cabo tareas de mantenimiento. Con el cumplimiento de esta regla se reduce el riesgo de lesiones corporales serias.
- Este producto es conveniente para el uso de interior y al aire libre.
- No use aparatos accionados por baterías en la lluvia.
- Asegúrese de que el cepillo accesorio esté instalado correctamente antes de usarlo.
- No fuerce el limpiador en espacios reducidos durante el uso.
- No toque los accesorios giratorios cuando el producto esté en uso.
- No se necesita conectar a una toma de corriente las herramientas de baterías; por lo tanto, siempre están en condiciones de funcionamiento. Esté consciente de los posibles peligros cuando no esté usando la herramienta de baterías o cuando esté cambiando los accesorios de la misma. Con el cumplimiento de esta regla se reduce el riesgo de una descarga eléctrica, incendio o lesión corporal seria.
- No coloque herramientas de baterías ni las baterías mismas cerca del fuego o del calor. De esta manera se reduce el riesgo de explosiones y de lesiones.
- No aplaste, deje caer o dañe de baterías. Nunca utilice una batería o cargador que se ha caído, aplastado, recibido un golpe contundente o ha sido dañado(a) de alguna manera. Las baterías dañadas pueden sufrir explosiones. Deseche de inmediato toda batería que haya sufrido una caída o cualquier daño.
- Las baterías pueden explotar en presencia de fuentes de inflamación, como los pilotos

de gas. Para reducir el riesgo de lesiones serias, nunca use un producto inalámbrico en presencia de llamas expuestas. La explosión de una batería puede lanzar fragmentos y compuestos químicos. Si ha quedado expuesto a la explosión de una batería, lávese de inmediato con agua.

- En condiciones extremas de uso o temperatura las baterías pueden emanar líquido. Si el líquido llega a tocarle la piel, lávese de inmediato con agua y jabón. Si le entra líquido en los ojos, láveselos con agua limpia por lo menos 10 minutos, y después busque de inmediato atención médica. Con el cumplimiento de esta regla se reduce el riesgo de lesiones corporales serias.

PRECAUCIÓN: PARA REDUCIR EL RIESGO DE LESIONES POR MOVILIDAD DE LAS PIEZAS, RETIRE LA BATERÍA ANTES DE REALIZAR EL MANTENIMIENTO.

- Guarde estas instrucciones. Consúltelas con frecuencia y empléelas para instruir a otras personas que puedan utilizar esta herramienta. Si presta a alguien esta herramienta, facilítele también las instrucciones.

CABEZAL PIVOTANTE DE SEIS POSICIONES

El cabezal motor se puede ajustar con el botón de pivote.

MANGO TRASERO CON SOBREMOLDEADO

El mango trasero con sobremoldeado proporciona mayor comodidad para el operador.

BRAZO TELESCÓPICO

El limpiador se puede ajustar a diferentes puntos de extensión para facilitar su uso.

ARMADO

DESEMPAQUETADO

Este producto debe armarse.

- Extraiga cuidadosamente de la caja la herramienta y los accesorios. Todos los elementos enumerados en la sección "Incluye" se deben incluir al momento de la compra.

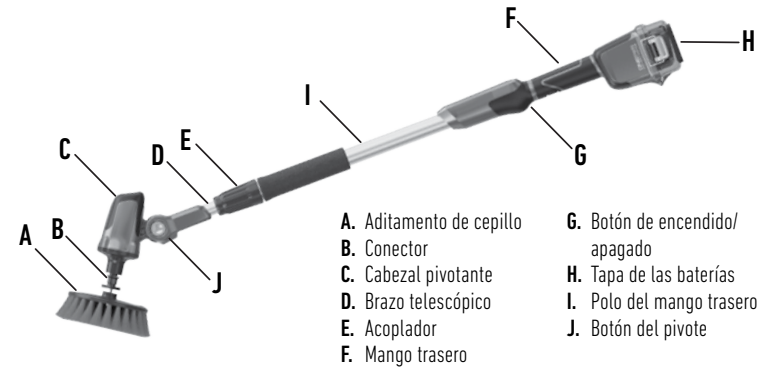
ADVERTENCIA: Las piezas incluidas en esta sección de Armado no vienen ensambladas en el producto de fábrica y requieren la instalación por parte del cliente. El uso de un producto que pueda haber sido armado de manera incorrecta podría provocar lesiones personales graves.

Si hay piezas dañadas o faltantes, le suplicamos llamar al **1-800-944-9200**, donde le brindaremos asistencia. En México, llame al 01-800-843-1111.

ADVERTENCIA: Si falta o está dañada alguna pieza, no utilice este producto sin haber reemplazado la pieza. Usar este producto con partes dañadas o faltantes puede causar lesiones serias al operador.

ADVERTENCIA: No intente modificar este producto ni hacer aditamentos ni accesorios no recomendados para el mismo.

CARACTERÍSTICAS



ESPECIFICACIONES DEL PRODUCTO

Motor20 V DC

Velocidad en vacío (revoluciones por minuto).....aproximada 210/min (RPM)

Clasificación de impermeable al agua IPX8*

*Clasificación IP: Especifica la protección ambiental que ofrece el alojamiento. Este producto cuenta con la clasificación IPX8, lo que significa que puede soportar la inmersión en agua hasta 1 metro durante 30 minutos como máximo.

Cualquier alteración o modificación constituye maltrato, el cual puede causar una condición peligrosa, y como consecuencia posibles lesiones corporales serias.

ADVERTENCIA: Para evitar un arranque accidental que podría causar lesiones corporales serias, siempre desmonte de la herramienta el paquete de baterías al montar piezas a aquella.

FUNCIONAMIENTO

ADVERTENCIA: No permita que su familiarización con las herramientas lo vuelva descuidado. Tenga presente que un descuido de un instante es suficiente para causar una lesión grave.

ADVERTENCIA: Siempre, retire el paquete de baterías de la herramienta cuando esté ensamblando partes, realizando ajustes, limpiando o cuando ésta no esté en uso. Retirando el paquete de baterías se evita arrancar accidentalmente la unidad, lo cual puede causar lesiones serias.

ADVERTENCIA: Siempre póngase protección ocular con protección lateral con la marca de cumplimiento de la norma ANSI Z87.1. Si no cumple esta advertencia, los objetos que salen despedidos pueden producirle lesiones serias en los ojos.

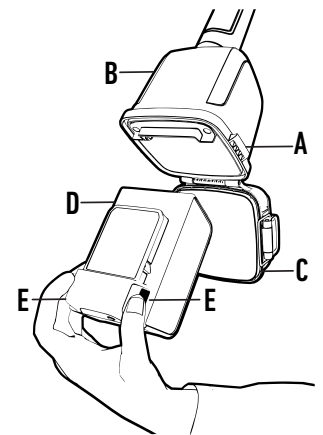
ADVERTENCIA: No utilice ningún aditamento o accesorio no recomendado por el fabricante de esta producto. El empleo de aditamentos o accesorios no recomendados podría causar lesiones serias.

APLICACIONES

Este producto puede emplearse para el fine siguientes:

- El limpiador eléctrico puede usarse para limpiar superficies exteriores e interiores.
- Este producto no es para uso comercial.

INSTALACIÓN/QUITAR DEL PAQUETE DE BATERÍAS



1. Desbloquee la lengüetas y abra la tapa de las baterías.
2. Coloque el paquete de baterías en el producto como se muestra.
3. Asegúrese de que los pestillos situados a ambos lados del paquete de baterías entren a presión en su lugar y de que el paquete se coloque correctamente en el producto antes de empezar a utilizarlo.
4. Cierre la tapa de las baterías y bloquee la lengüeta.
5. Para retirar, abra la tapa de las baterías y oprima los pestillos para extraer el paquete de baterías.

Para obtener instrucciones específicas de carga, lea el manual del operador que se incluye con el cargador y la batería.

ADVERTENCIA: No haga funcionar el limpiador eléctrico con la tapa de las baterías abierta. Una tapa abierta podría exponer el paquete de baterías y el puerto de la batería a la humedad, lo que podría aumentar el riesgo de descargas eléctricas.

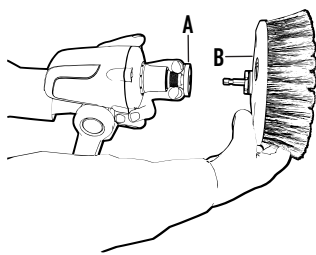
SELECCIÓN DE LOS ADITAMENTOS DE CEPILLO

Es importante que seleccione el tipo correcto de cepillo accesorio para obtener el mejor rendimiento del limpiador eléctrico. Seleccione cepillo accesorio según la aplicación y la superficie que desee limpiar. La selección del cepillo accesorio adecuado lo ayudará a limpiar de manera más eficiente y a proteger la superficie en cuestión. Para reducir el riesgo de daños materiales, pruebe siempre el cepillo en un área adecuada de una superficie antes de comenzar el trabajo.

NOTA: El limpiador eléctrico incluye un cepillo accesorio con cerdas medianas. Puede comprar cepillos accesorios con cerdas duras y blandas donde compró el producto.

GUÍA DE SELECCIÓN DE CEPILLOS ACCESORIOS	
	Cerdas suaves (Blanco) AH84100 Limpieza liviano
	Cerdas medianas (Rojo) AH84200 Limpieza general
	Cerdas duras (Negro) AH84300 Limpieza de alto rendimiento
	Kit de cepillos de cerdas de 6" y 3 piezas

CÓMO INSTALAR O RETIRAR LOS CEPILLOS ACCESORIOS



- A.** Conector
B. Aditamento de cepillo

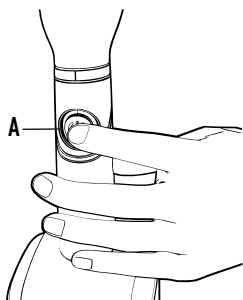
1. Retire el paquete de baterías.
2. Alinee la broca hexagonal de la escobilla con la abertura hexagonal del cabezal del motor.
3. Sujete el collarín hacia atrás e inserte la broca hexagonal de la escobilla en el receptor. Suelte el collarín y la escobilla hará "click" cuando quede bloqueada en su sitio.

NOTA: Cuando el cepillo esté bloqueado en su sitio, el collarín estará en posición adelantada.

4. Para retirar la escobilla, tire y sujete el collarín del receptor hacia atrás mientras empuja la broca hexagonal fuera del receptor.

NOTA: El collarín receptor debe mantenerse en la posición posterior para comenzar a retirar el cepillo.

APAGADO Y ENCENDIDO DEL LIMPIADOR ELÉCTRICO



A. Botón de encendido/apagado

PARA ARRANCAR EL MOTOR:

Presione completamente el botón de encendido/apagado para encender el motor.

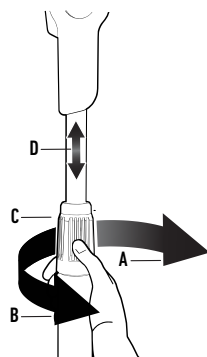
NOTA: Cuando el motor esté encendido, el cepillo accesorio girará continuamente.

PARA APAGAR EL MOTOR:

Presione completamente el botón de encendido/apagado para apagar el motor.

NOTA: Cuando el motor esté apagado, el cepillo accesorio dejará de girar.

BRAZO TELESCÓPICO

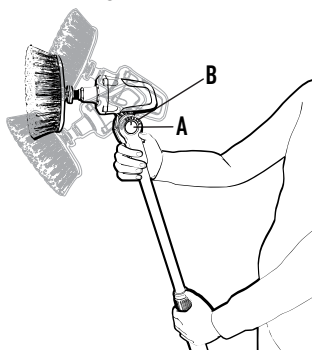


- A.** Apretar
B. Aflojar
C. Acoplador
D. Eje telescópico

El brazo puede extenderse o acortarse para facilitar su manejo.

1. Retire el paquete de baterías.
2. Afloje el acoplador para cortar bordes girándolo hacia la izquierda. Deslice el brazo a la posición deseada.
3. Apriete el acoplador firmemente girándola hacia la derecha. Asegúrese de que el brazo esté ajustado en forma segura antes de volver a instalar el paquete de baterías.

CABEZA PIVOTANTE



- A.** Botón del pivote
B. Muecas

1. Retire el paquete de baterías.
2. Coloque el limpiador eléctrico sobre una superficie plana y resistente.
3. Empuje el botón pivotante y ajuste el cabezal de la recortadora hasta que quede fijo en su lugar con un chasquido, en una de las seis posiciones indicadas por las muescas.

CÓMO USAR EL LIMPIADOR ELÉCTRICO



1. Seleccione el cepillo accesorio apropiado.
2. Ajuste el cabezal giratorio y el brazo telescópico en una posición operativa cómoda.
3. Instalar el paquete de baterías.
4. Sostenga el limpiador eléctrico con la mano derecha en el mango trasero y la izquierda en el mango delantero. Sujete firmemente la unidad con ambas manos durante la operación.
5. El limpiador eléctrico debe sostenerse en una posición cómoda con el mango trasero a la altura de la cadera.
6. Con la mano derecha, presione completamente el botón de encendido/apagado para iniciar el limpiador eléctrico.
7. Mueva la unidad hacia delante y hacia atrás sobre la superficie que desea limpiar.

NOTA: Muévase lentamente mientras aprende a usar la unidad y cuando frote manchas difíciles.

NOTA: No presione hacia abajo la unidad ni la mantenga en un lugar durante un período prolongado. Si lo hace, podría dañar la superficie que está limpiando.

8. Cuando finalice el trabajo de limpieza, presione completamente el botón de encendido/apagado para apagar el motor y espere a que el cepillo accesorio deje de girar.
9. Retire el paquete de baterías.
10. Retire el cepillo accesorio como se describió anteriormente y límpielo bien.

AVISO: La suciedad y los desechos pueden dañar las superficies delicadas. Enjuague bien el cepillo accesorio antes de usarlo y continúe haciéndolo en intervalos regulares durante el uso. Limpie bien el cepillo accesorio después de su uso. Deje secar y guarde siempre el cepillo accesorio sin doblar las cerdas.

MANTENIMIENTO

ADVERTENCIA: Al dar servicio a la unidad, sólo utilice piezas de repuesto idénticas. El empleo de piezas diferentes podría causar un peligro o dañar el producto.

ADVERTENCIA: Siempre póngase protección ocular con protección lateral con la marca de cumplimiento de la norma ANSI Z87.1. La inobservancia de esta advertencia puede permitir que los objetos lanzados hacia los ojos y otros provoque lesiones graves.

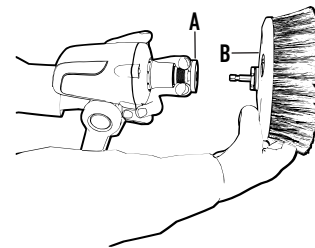
ADVERTENCIA: Para evitar lesiones personales graves, siempre retire el paquete de baterías de la herramienta cuando la limpie, realice el mantenimiento o cuando almacene la herramienta.

MANTENIMIENTO GENERAL

Evite el empleo de solventes al limpiar piezas de plástico. La mayor parte de los plásticos son susceptibles a diferentes tipos de solventes comerciales y pueden resultar dañados. Utilice paños limpios para eliminar la suciedad, polvo, aceite, grasa, etc.

ADVERTENCIA: No permita en ningún momento que líquido para frenos, gasolina, productos a base de petróleo, aceites penetrantes, etc., entren en contacto con las piezas de plástico. Las sustancias químicas pueden dañar, debilitar o destruir el plástico, lo cual puede a su vez producir lesiones corporales graves.

CÓMO REEMPLAZAR EL CEPILLO ACCESORIO



- A.** Conector
B. Aditamento de cepillo

Después de un uso prolongado, el cepillo accesorio puede desgastarse, por lo que deberá reemplazarlo. Si se le cae la herramienta y daña el cepillo accesorio, también puede ser necesario que lo reemplace. Consulte la sección Cómo instalar o retirar los cepillos accesorios anteriormente en este manual.

ACCESORIOS

“TODAS LAS BATERÍAS ONEPWR® FUNCIONAN CON TODOS LOS PRODUCTOS ONEPWR®.”		PIEZAS Y ACCESORIOS:	
Batería:	Modelo	1.5A Cargador	BH05000
2.0 Ah	BH15020; BH19020V	Cargador de doble bahía	BH05200; BH05200V
4.0 Ah	BH15240; BH19240V; BH25040; BH29040V	0.5A Cargador compacto	440014514
8.0 Ah	BH25280; BH29280V	0.5A Cargador compacto	440014913
		1.5A Cargador compacto	440014513
		1.5A Cargador compacto	440014914
		Cargador rápido	BH05140

GARANTÍA

GARANTÍA LIMITADA PARA PRODUCTOS DE HOOVER® / GARANTÍA LIMITADA DE TRES AÑOS (USO DOMÉSTICO)

El hecho de no registrar el producto no disminuye los derechos de garantía del mismo.

Si este producto no cumple con la garantía, comuníquese con el Servicio de atención al cliente de TTI Floor Care North America al **1-800-944-9200**. Tenga a mano el comprobante de compra y el número de modelo para el producto cubierto por la garantía.

COBERTURA DE LA GARANTÍA LIMITADA: Esta garantía limitada provista por Royal Appliance Mfg. Co., que realiza negocios como TTI Floor Care North America (a la que se hará referencia como “Garante” en el presente documento) se aplica solo a productos adquiridos en EE. UU. (incluidos sus territorios y posesiones), una Tiendas de intercambios militares de los EE. UU. o Canadá. En casos de uso y mantenimiento domésticos en condiciones normales y conforme a la Guía del propietario, este producto tiene garantía contra defectos originales en los materiales y en la mano de obra por un período de tres años desde la fecha de compra original (el “Período de la garantía”). Si el Garante determina que el problema que presenta cuenta con la cobertura de los términos de esta garantía (un “reclamo de la garantía cubierto”), a nuestro criterio y sin costo (sujeto al costo de envío), (i) repararemos su producto, (ii) enviaremos un producto de reemplazo, que será nuevo o refabricado y estará sujeto a disponibilidad; (iii) en el caso de que las piezas y reemplazos que apliquen no estén disponibles en un tiempo razonable, podemos enviar un producto similar de igual o superior valor. En el caso improbable de que no podamos reparar su producto o enviarle un producto de reemplazo o similar, nos reservamos el derecho de, a

nuestra discreción, emitir un reembolso o crédito en la tienda (si corresponde) por el precio real de la compra al momento de la compra original según lo reflejado en el recibo de ventas original. Las piezas y reemplazos pueden ser nuevos, reacondicionados, con poco uso o refabricados, según el criterio del Garante.

PERSONAS AFECTADAS POR LA COBERTURA DE LA GARANTÍA LIMITADA: Esta garantía limitada se extiende únicamente al comprador minorista original, con comprobante de compra original del Garante o un distribuidor autorizado de productos del Garante, en EE. UU., Tiendas de intercambios militares de los EE. UU., y en Canadá.

QUÉ ES LO QUE NO CUBRE ESTA GARANTÍA LIMITADA: Esta garantía no cubre el uso del producto en operaciones comerciales (tales como servicios de limpieza, portería y servicios de alquiler de equipos, u otra actividad generadora de ingresos); el mantenimiento inadecuado del producto; el producto si ha sido expuesto a abuso, negligencia, mal uso, vandalismo o el uso de voltajes diferentes a los especificados en la placa de identificación del producto. Esta garantía no cubre los daños resultantes de actos fortuitos, accidentes, actos de omisión del propietario, servicio de este producto por parte de otra entidad distinta del Garante o un proveedor de servicios autorizado por el Garante (si corresponde), u otros actos que estén más allá del control del Garante. Esta garantía tampoco cubre el uso fuera del país en el que se compró el producto originalmente, o la reventa del producto por parte del propietario original. Esta garantía no cubre la recolección, la entrega, el transporte ni las

llamadas domésticas. Además, esta garantía no cubre ningún producto que haya sido alterado o modificado, reparado en forma necesaria por el desgaste normal, o en el cual se hayan utilizado productos, piezas o accesorios incompatibles con este producto o que afecten de manera negativa su funcionamiento, rendimiento o durabilidad. Los elementos con desgaste normal no están cubiertos por esta garantía. Según el producto, los elementos con desgaste normal pueden incluir, entre otros, correas, filtros, cepillos giratorios, ventiladores sopladores, sopladores y tubos aspiradores, y bolsas y correas para aspiradoras.

OTROS TÉRMINOS IMPORTANTES: Esta garantía no es transferible y no puede asignarse, cualquier asignación realizada en contravención con esta prohibición quedará nula. Esta garantía se regirá e interpretará bajo las leyes del estado de Carolina del Norte. El Período de la garantía no se prolongará por el reemplazo de las baterías, piezas o productos, ni en virtud de cualquier reparación realizada conforme a esta garantía.

ESTA GARANTÍA LIMITADA TIENE PREVALENCIA EXCLUSIVA COMO TAL Y COMO RECURSO LEGAL, Y QUEDAN EXPRESAMENTE RECHAZADAS TODAS LAS GARANTÍAS EXPRESAS E IMPLÍCITAS DIFERENTES DE LA GARANTÍA LIMITADA ESTABLECIDA ANTERIORMENTE RESPECTO DE ESTE PRODUCTO, CON INCLUSIÓN DE LAS GARANTÍAS IMPLÍCITAS DE APTITUD PARA LA VENTA O ADECUACIÓN A FINES ESPECÍFICOS. EN NINGÚN CASO, EL GARANTE SERÁ RESPONSABLE POR LOS DAÑOS ESPECIALES, INDIRECTOS, INCIDENTALES O CONSECUENTES DE NINGÚN TIPO QUE SUFRA EL PROPIETARIO O CUALQUIER PARTE QUE

RECLAME POR INTERMEDIO DE ESTE, YA SEA CON BASE EN UN CONTRATO, POR NEGLIGENCIA, HECHO ILÍCITO CIVIL O RESPONSABILIDAD OBJETIVA, NI POR NINGUNA OTRA CAUSA, INCLUSO SI ESTA GARANTÍA NO CUMPLE CON SU PROPÓSITO ESENCIAL. EN LA MÁXIMA MEDIDA PERMITIDA POR LAS LEYES APLICABLES, NINGUNA GARANTÍA QUE SURJA DE LA APLICACIÓN DE LA LEY, SI ES APLICABLE, SUPERARÁ LA DURACIÓN DE LA GARANTÍA LIMITADA AQUÍ PROVISTA. La responsabilidad del garante por los daños o por cualquier costo que surja de esta declaración de garantía limitada se limita al monto pagado por este producto al momento de la compra original.

Algunos estados no permiten la exclusión o la limitación de daños incidentes o consecuentes, descargos de garantías implícitas o limitaciones con respecto a la duración de garantías implícitas; por lo tanto, es posible que las exclusiones, los descargos o las limitaciones no se apliquen en su caso. Esta garantía le otorga derechos legales específicos. También puede tener otros derechos, que varían según el estado.

PIEZAS Y ACCESORIOS ORIGINALES: Le recomendamos que use el producto solo con soluciones (para aspiradoras para alfombras y manchas), piezas y accesorios HOOVER® originales. Los daños provocados por el uso de otras soluciones, piezas y accesorios que no sean HOOVER® originales no están cubiertos y pueden anular la garantía.