

Mounting Steering Wheel Unit, Control Panel and Foot Pedals.

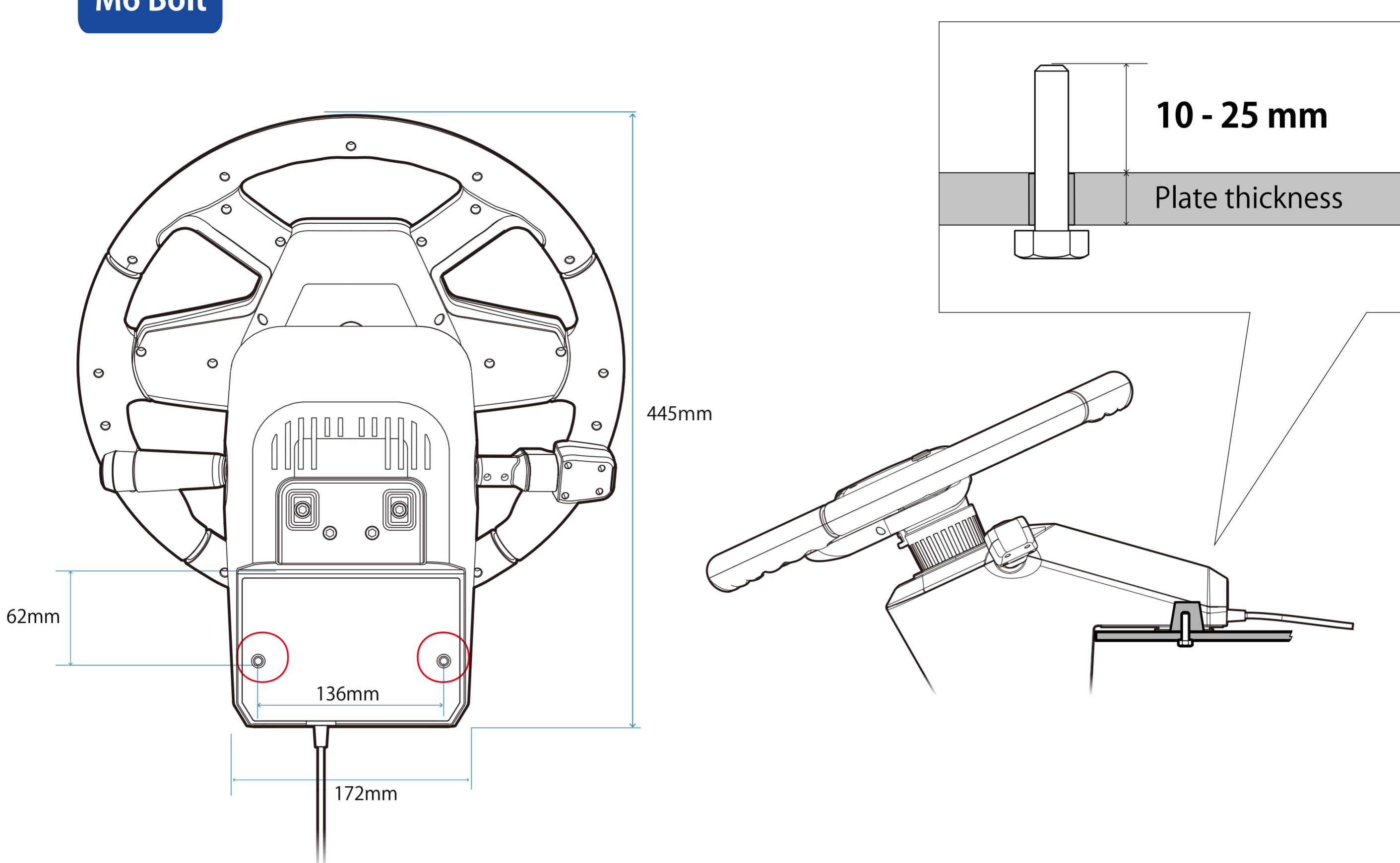
※Please contact the manufacturer directly for information about specific racing wheel cockpits and stands.

HPC-044 HORI Force Feedback Truck Control System for WindowsPC

Steering Wheel Unit

- ※1: This product can be attached to a racing cockpit compatible with M6 bolts.
 - ※2: Two M6 bolts are needed to attach this product to a racing wheel cockpit.
 - ※3: The length of the M6 bolt can be the thickness of the fixed surface + 10 mm to 25 mm.
- If wider bolts are used, there is a risk that the inside of the product may be damaged, or it may not properly attach. Please refer to the image below.
- ※4: Steering wheel stand and M6 screws sold separately.

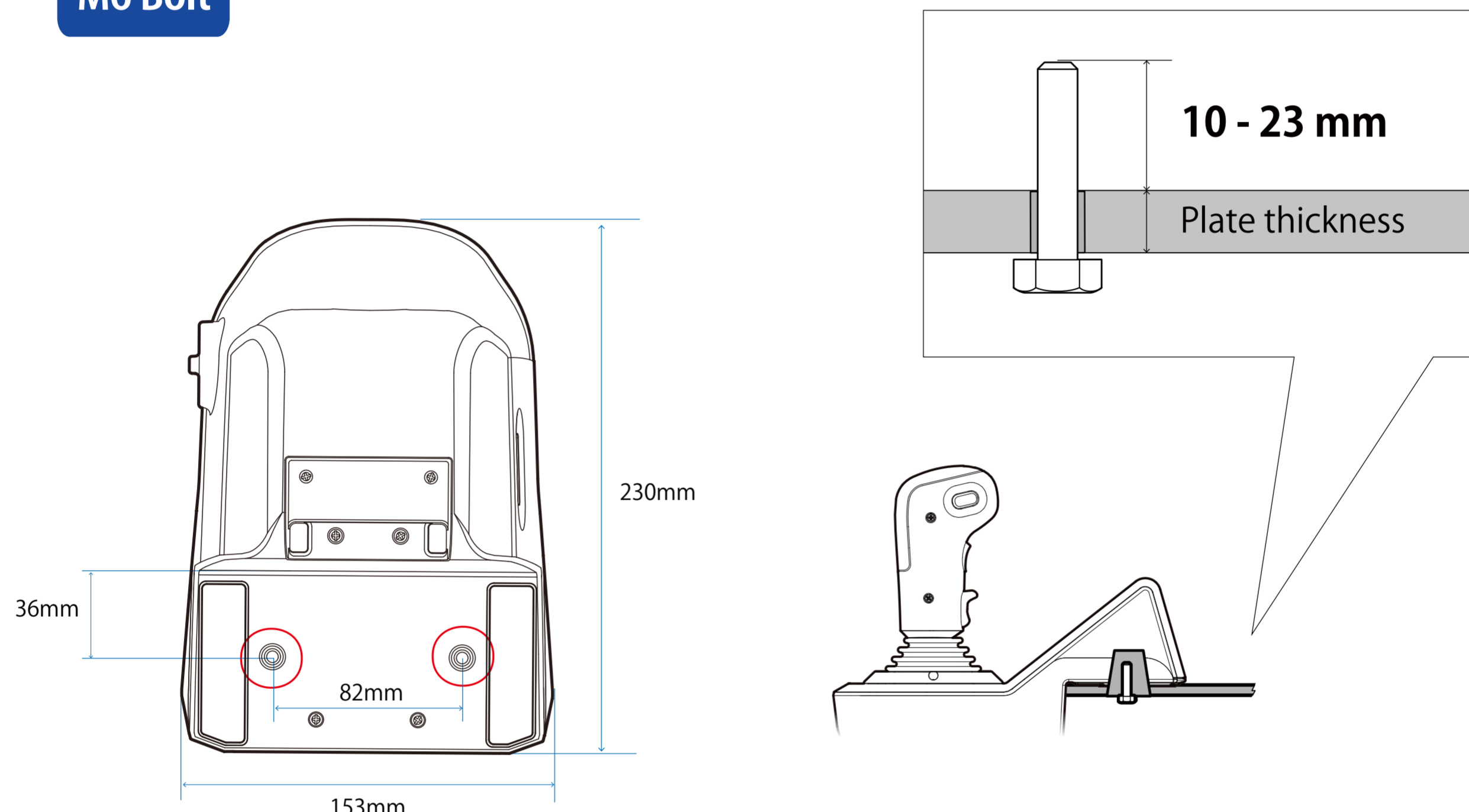
M6 Bolt



Shifter Unit

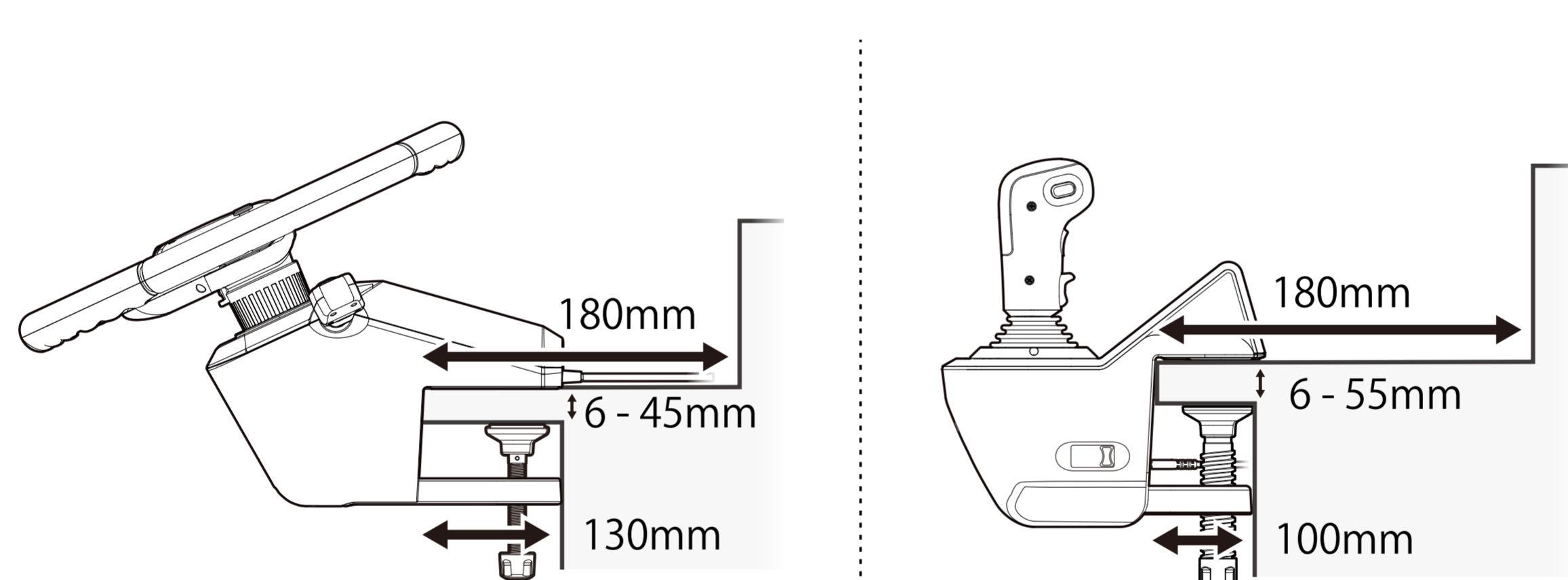
- ※1: This product can be attached to a racing cockpit compatible with M6 bolts.
 - ※2: Two M6 bolts are needed to attach this product to a racing wheel cockpit.
 - ※3: The length of the M6 bolt can be the thickness of the fixed surface + 10 mm to 23 mm.
- If wider bolts are used, there is a risk that the inside of the product may be damaged, or it may not properly attach. Please refer to the image below.
- ※4: Steering wheel stand and M6 screws sold separately.

M6 Bolt



Clamp Attachment

- ※1 : The racing wheel can be attached to a hard surface that has a thickness of 6mm~45mm. Please refer to Image 2 for reference. This product will not properly attach to a surface that exceeds 6mm~45mm.



Foot Pedals

- ※1: This product can be attached to a racing cockpit compatible with M6 bolts.
 - ※2: Two M6 bolts are needed to attach this product to a racing wheel cockpit.
 - ※3: The length of the M6 bolt can be the thickness of the fixed surface + 10 mm to 25 mm.
- If wider bolts are used, there is a risk that the inside of the product may be damaged, or it may not properly attach. Please refer to the image below.
- ※4: Steering wheel stand and M6 screws sold separately.

M6 Bolt

