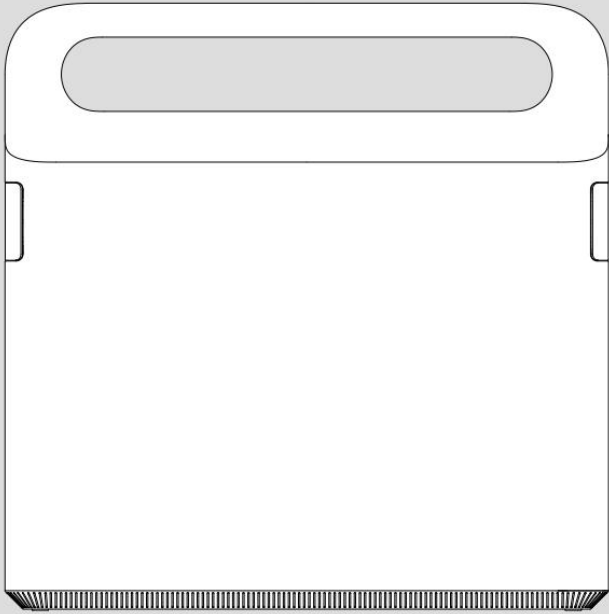


# HOTO 16V Brushless Drill Tool Kit



**Make It  
Happen**

HOTO 16V Brushless Drill Tool Kit	01
Kit d'outil HOTO 16V Perceuse sans balais	06
HOTO Kit de Herramientas de Taladro sin Escobillas 16V	11



Scan the QR code to access additional  
usage guidelines

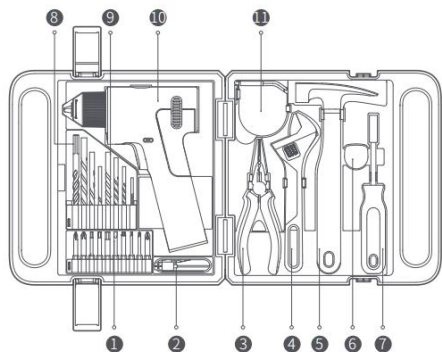


Visit our website for more Cool Tools  
( [www.hototools.com](http://www.hototools.com) )

## 01 Product Overview

Please read this manual carefully before using the product and keep it for future reference.

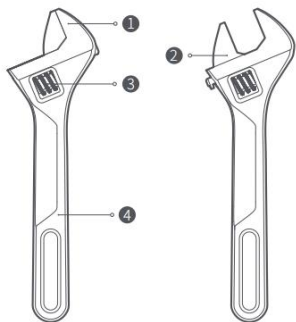
### HOTO 16V Brushless Drill Tool Kit



- 1 2-inch Screwdriver Bit
- 2 Charging Cable
- 3 Needle-Nose Plier
- 4 Adjustable Wrench
- 5 Claw Hammer
- 6 Rubber Cap
- 7 Multipurpose Screwdriver
- 8 Multi Purpose Drill Bit
- 9 Drill Bit
- 10 HOTO 16V Brushless Drill
- 11 Self-Lock Measuring Tape

### Adjustable Wrench

Adjustable Wrench: 200 mm (7.87 in) long, it can be used to tighten or loose hexagon bolts or nuts. Turn the worm to adjust the width between the two jaws to clamp the nuts. This wrench applies to hexagon bolts and nuts ≤20 mm (0.79 in).



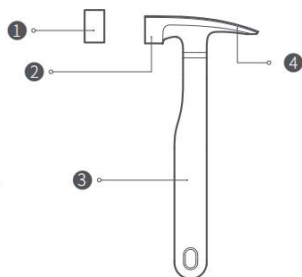
- 1 Fixed Jaw
- 2 Movable Jaw
- 3 Worm
- 4 Handle

### Notes

- When operating, the width between the two jaws must be adjusted accurately to fit the nut.
- The wrench and the nut must be kept horizontal to prevent slippage. Do not strike hard objects with the wrench.
- To avoid damaging the wrench, do not attempt to increase the pulling leverage by adding an extension bar or pipe to the wrench handle.

### Claw Hammer

Claw hammer: The flat side of the hammer head is the striking face. It can be used for striking hard objects. The V-shaped claw on the other side is for extracting nails. A rubber hammer cap is provided. It is recommended to install the rubber cap to prevent the surface from scratch when hammering.



- 1 Rubber Hammer Cap
- 2 Striking Face
- 3 Hammer Handle
- 4 V-shaped Claw

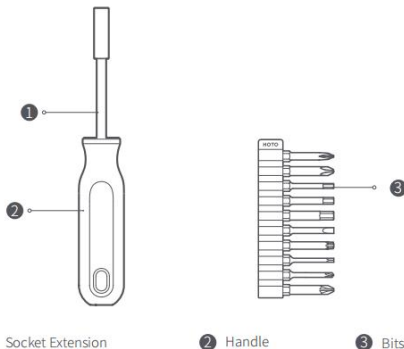
### Notes

- Strike a hammer blow with the striking face parallel to the surface being struck.
- Do not strike one hammer with another.
- Do not use it when the hammer head is loose.
- Do not use it when the hammer handle is damaged.
- Do not use the rubber hammer cap for nail driving.



### Multifunctional Screwdriver

Multifunctional Screwdriver: With a built-in magnet, the socket extension can magnetically hold C6.3 bits. It can also be attached to a variety of bits. The HOTO household tool kit is equipped with 10 pcs of bits for various screw tightening and removing scenarios.



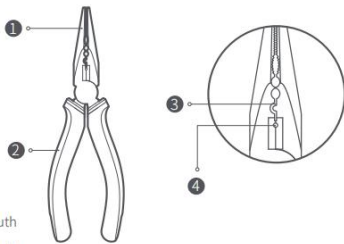
- 1 Socket Extension
- 2 Handle
- 3 Bits

### Notes

- The multifunctional screwdriver uses C6.3 bits. Please use bits of proper specification.
- Ensure the screwdriver be operated vertically against the workpiece.
- Do not use the screwdriver as a crowbar or a chisel.
- Do not use the screwdriver for electrical work.

## Multifunctional Needle-Nose Pliers

Multifunctional Needle-nose Pliers: It can be used to clamp and fix workpieces; twist, bend and cut metal wires; strip wires; crimp terminals, etc. It is equipped with a labor-saving spring and has a self-resetting function, making it easy to use.



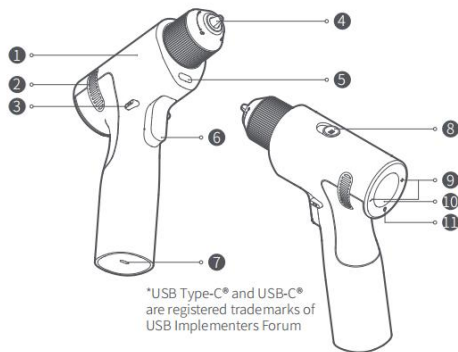
- 1 Pliers Mouth
- 2 Pliers Handle
- 3 Crimping Groove
- 4 Stripping Groove

### Notes

- Please wear protective goggles when cutting or tightening wires.
- Do not use the multifunctional needle-nose pliers as a hammer.
- Please take proper care of the pliers and lubricate the hinges.
- Do not use the pliers for electrical work.

## HOTO 16V Brushless Drill

This product is designed for tightening and loosening screws. It can be used on materials such as drywall, wood, metal, and plastic. Please use the appropriate drill bit.



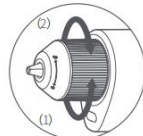
\*USB Type-C® and USB-C® are registered trademarks of USB Implementers Forum

- 1 Main Unit
- 2 Air Vent
- 3 Direction & Lock Switch
- 4 Chuck
- 5 LED Light
- 6 Power Switch
- 7 USB-C® Charging Port\*
- 8 Speed Selector Switch
- 9 Gear Button
- 10 Display Screen
- 11 Mode Button

## 02 How to Use

### Driver Bit/Drill Bit Installing

- Turn the chuck in the direction shown in arrow (1) until the chuck is loose enough for a driver bit/drill bit to be inserted. Insert the driver bit/drill bit and then turn the chuck in the direction shown in arrow (2) until the driver bit/drill bit is secured in place. Do not use the drill's inertia to lock the chuck. Please make sure the driver bit/drill bit is secured in place before triggering the drill.



### Trigger

- The trigger is pressure sensitive, allowing multiple speeds.
- The more you press it, the faster it goes.

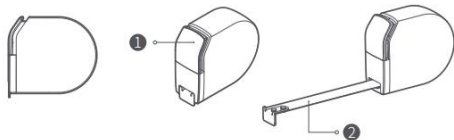
### Forward/Lock/Reverse Button

Use the forward/lock/reverse button ③ to change the rotation direction or lock the trigger ⑥.

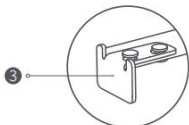
- Forward: When drilling or tightening screws, push the forward/lock/reverse button ③ to the far left and the icon "↶" will light up on the display ⑩.
- Reverse: When loosening or unscrewing screws, push the forward/lock/reverse button ③ to the far right and the icon "↷" will light up on the display ⑩.

## HOTO Self-locking Tape Measure

HOTO Self-locking Tape Measure: The auto-lock tape measure enables a convenient and safe operation. Pull out the blade and start measuring. The auto-lock functions allows the blade to keep extended until you press the release button, which then allows it to retract easily.



- 1 Release Button
- 2 Blade
- 3 Hook



### Notes

- The maximum measuring range is 3 m (118.11 in). Do not pull out the blade beyond the range.
- Do not touch the edge of the blade during retraction to prevent cuts.
- Do not grasp the blade to prevent cuts.
- Do not use the tape measure if the blade is broken or torn.

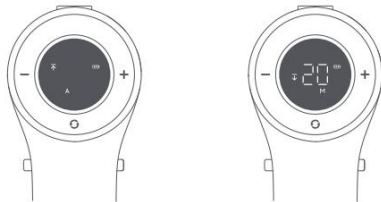
## Function Switch

- **Screwing:** Push the function switch **(3)** to the screw position "T" and press the trigger **(6)** and the drill will operate at a low speed, suitable for tightening or loosening screws.
- **Drilling:** Push the function switch **(3)** to the drill position "I" and press the trigger and the drill will operate at a high speed, suitable for drilling holes.

## Mode Button

Press Mode Button **(1)** to choose between self-select torque mode and auto torque mode.

- **Manual torque/speed mode:** Press mode button **(1)** until a number is shown on the display, and the drill is under the manual torque/speed mode.



Automatic Mode "A"

Manual Torque/  
Speed Mode "M"

## Different Levels under the Manual Torque/Speed Mode

In the Manual Torque/Speed Mode "M", there are 32 levels. Press the Mode Button **(1)** or the Gear Button **(4)** once, the torque/speed will increase/decrease by one level. Press and hold either button, the torque/speed will increase/decrease quickly.

## How to Select a Mode

- **Manual Torque/Speed Mode "M":** Start with a lower torque/speed level (Levels 1-5) and increase gradually if more torque/speed is needed.
- **Automatic Mode "A":** There is no need to adjust the torque. The tool automatically stops when adequate resistance is detected (e.g., when a screw has been fully tightened).

## Usage Tips

- **Pre-drilling:** When drilling into hollow bricks or metal sheets, use lower speed levels (Levels 1-5) to create a pilot hole.
- **Maintaining Control:** When tightening or loosening screws, strong reactive torque may occur. Hold the drill firmly.
- **Load Warning:** When the screen displays torque levels between 16-32, the tool is at its maximum load. Grip the tool securely, as high output torque may cause slippage or wrist strain.

## Display Screen

When the tool is powered on, the screen will automatically turn off if no operation is detected within 10 seconds.

## LED Light

When the tool is powered on, the LED will automatically turn off if no operation is detected within 10 seconds.

## Charge the Drill

- **Low Battery:** The red charging indicator light on the screen stays on.
- **Charging:** When the battery level is below 33%, the first battery icon flashes; when the battery level is between 33% and 67%, the second battery icon flashes; when the battery level is between 67% and 100%, the third battery icon flashes.
- **Fully Charged:** After charging is complete, the first battery icon will turn off after flashing for 20 seconds.

## ⚠️ 03 General Power Tool Safety Warnings

**⚠️ WARNING!** Read all safety warnings, instructions, illustrations and specifications provided with this power tool. Failure to follow all instructions listed below may result in electric shock, fire and/or serious injury.

**Save all warnings and instructions for future reference.**

The term "power tool" in the warnings refers to your mains-operated (corded) power tool or battery-operated (cordless) power tool.

### Work Area Safety

- **Keep work area clean and well lit.** Cluttered or dark areas invite accidents.
- **Do not operate power tools in explosive atmospheres, such as in the presence of flammable liquids, gases or dust.** Power tools create sparks which may ignite the dust or fumes.
- **Keep children and bystanders away while operating a power tool.** Distractions can cause you to lose control.

### Electrical safety

- **Power tool plugs must match the outlet. Never modify the plug in any way. Do not use any adapter plugs with earthed (grounded) power tools.** Unmodified plugs and matching outlets will reduce risk of electric shock.
- **Avoid body contact with earthed or grounded surfaces, such as pipes, radiators, ranges and refrigerators.** There is an increased risk of electric shock if your body is earthed or grounded.
- **Do not expose power tools to rain or wet conditions.** Water entering a power tool will increase the risk of electric shock.
- **Do not abuse the cord. Never use the cord for carrying, pulling or unplugging the power tool. Keep cord away from heat, oil, sharp edges or moving parts.** Damaged or entangled cords increase the risk of electric shock.
- **When operating a power tool outdoors, use an extension cord suitable for outdoor use.** Use of a cord suitable for outdoor use reduces the risk of electric shock.
- **If operating a power tool in a damp location is unavoidable, use a residual current device (RCD) protected supply.** Use of an RCD reduces the risk of electric shock.

### Personal Safety

- **Stay alert, watch what you are doing and use common sense when operating a power tool. Do not use a power tool while you are tired or under the influence of drugs, alcohol or medication.** A moment of inattention while operating power tools may result in serious personal injury.
- **Use personal protective equipment. Always wear eye protection.** Protective equipment such as a dust mask, non-skid safety shoes, hard hat or hearing protection used for appropriate conditions will reduce personal injuries.
- **Prevent unintentional starting. Ensure the switch is in the off-position before connecting to power source and/or battery pack, picking up or carrying the tool.** Carrying power tools with your finger on the switch or energising power tools that have the switch on invites accidents.
- **Remove any adjusting key or wrench before turning the power tool on. A wrench or a key left attached to a rotating part of the power tool may result in personal injury.**
- **Do not overreach. Keep proper footing and balance at all times.** This enables better control of the power tool in unexpected situations.
- **Dress properly. Do not wear loose clothing or jewellery. Keep your hair and clothing away from moving parts.** Loose clothes, jewellery or long hair can be caught in moving parts.
- **If devices are provided for the connection of dust extraction and collection facilities, ensure these are connected and properly used.** Use of dust collection can reduce dust-related hazards.

- Do not let familiarity gained from frequent use of tools allow you to become complacent and ignore tool safety principles. A careless action can cause severe injury within a fraction of a second.

## Power Tool Use And Care

- Do not force the power tool. Use the correct power tool for your application. The correct power tool will do the job better and safer at the rate for which it was designed.
- Do not use the power tool if the switch does not turn it on and off. Any power tool that cannot be controlled with the switch is dangerous and must be repaired.
- Disconnect the plug from the power source and/or remove the battery pack, if detachable, from the power tool before making any adjustments, changing accessories, or storing power tools. Such preventive safety measures reduce the risk of starting the power tool accidentally.
- Store idle power tools out of the reach of children and do not allow persons unfamiliar with the power tool or these instructions to operate the power tool. Power tools are dangerous in the hands of untrained users.
- Maintain power tools and accessories. Check for misalignment or binding of moving parts, breakage of parts and any other condition that may affect the power tool's operation. If damaged, have the power tool repaired before use. Many accidents are caused by poorly maintained power tools.
- Use the power tool, accessories and tool bits etc. in accordance with these instructions, taking into account the working conditions and the work to be performed. Use of the power tool for operations different from those intended could result in a hazardous situation.
- Keep handles and grasping surfaces dry, clean and free from oil and grease. Slippery handles and grasping surfaces do not allow for safe handling and control of the tool in unexpected situations.

## Battery tool use and care

- Recharge only with the charger specified by the manufacturer. A charger that is suitable for one type of battery pack may create a risk of fire when used with another battery pack.
- Use power tools only with specifically designated battery packs. Use of any other battery packs may create a risk of injury and fire.
- When battery pack is not in use, keep it away from other metal objects, like paper clips, coins, keys, nails, screws or other small metal objects, that can make a connection from one terminal to another. Shorting the battery terminals together may cause burns or a fire.
- Under abusive conditions, liquid may be ejected from the battery; avoid contact. If contact accidentally occurs, flush with water. If liquid contacts eyes, additionally seek medical help. Liquid ejected from the battery may cause irritation or burns.
- Do not use a battery pack or tool that is damaged or modified. Damaged or modified batteries may exhibit unpredictable behavior resulting in fire, explosion or risk of injury.
- Do not expose a battery pack or tool to fire or excessive temperature. Exposure to fire or temperature above 130°C may cause explosion.
- Follow all charging instructions and do not charge the battery pack or tool outside the temperature range specified in the instructions. Charging improperly or at temperatures outside the specified range may damage the battery and increase the risk of fire.

## Service

- Have your power tool serviced by a qualified repair person using only identical replacement parts. This will ensure that the safety of the power tool is maintained.
- Never service damaged battery packs. Service of battery packs should only be performed by the manufacturer or authorized service providers.

## Safety Instructions for Drill/Driver

- Hold the power tool by insulated gripping surfaces, when performing an operation where the cutting accessory or fasteners may contact hidden wiring. Cutting accessory contacting a "live" wire may make exposed metal parts of the power tool "live" and could give the operator an electric shock.

## Safety instructions when using long drill bits

- Never operate at higher speed than the maximum speed rating of the drill bit. At higher speeds, the bit is likely to bend if allowed to rotate freely without contacting the workpiece, resulting in personal injury.
- Always start drilling at low speed and with the bit tip in contact with the workpiece. At higher speeds, the bit is likely to bend if allowed to rotate freely without contacting the workpiece, resulting in personal injury.
- Apply pressure only in direct line with the bit and do not apply excessive pressure. Bits can bend causing breakage or loss of control, resulting in personal injury.

## Additional safety information

- Secure the workpiece. A workpiece clamped with clamping devices or in a vice is held more secure than by hand.
- Always wait until the power tool has come to a complete stop before placing it down. The application tool can jam and cause you to lose control of the power tool.
- Switch the power tool off immediately if the application tool becomes blocked. Be prepared for high torque reactions which cause kickback. The application tool becomes blocked when it becomes jammed in the workpiece or when the power tool becomes overloaded.
- Use suitable detectors to determine if there are hidden supply lines or contact the local utility company for assistance. Contact with electric cables can cause fire and electrical shock. Damaging gas lines can lead to explosion. Breaking water pipes causes property damage.
- Hold the power tool securely. When tightening and loosening screws be prepared for temporarily high torque reactions.
- In case of damage and improper use of the battery, vapours may be emitted. The battery can set alight or explode. Ensure the area is well ventilated and seek medical attention should you experience any adverse effects. The vapours may irritate the respiratory system.
- Do not open the battery. There is a risk of short-circuiting.
- The battery can be damaged by pointed objects such as nails or screwdrivers or by force applied externally. An internal short circuit may occur, causing the battery to burn, smoke, explode or overheat.
- Only use the battery with products from the manufacturer. This is the only way in which you can protect the battery against dangerous overload.
- Protect the battery against heat, e.g. against continuous intense sunlight, fire, dirt, water and moisture. There is a risk of explosion and short-circuiting.

## Troubleshooting

Issue	Possible Cause	Solution
During use, the drill stops rotating, and the screen displays E3 or E3	The battery temperature is too high or too low due to long-term inactivity	Place the drill at room temperature
During use, the drill stops rotating, and the screen displays E1	The battery has no remaining charge	Charge the drill
The battery cannot be charged	The USB cable is not properly connected or is not the designated charging cable	Check if the charging indicator light is on; use the designated charging cable
The drill bit cannot be installed	The drill bit is incompatible with the chuck in terms of dimensions	Use the drill bits in the accessory box or any drill bit with a diameter smaller than 10 mm
The drill does not operate when the power switch is pressed	The switch is in the middle (locked) position	Push the direction switch (viewed from the back of the drill toward the drill chuck) to the left to unlock the tool

## 04 Specifications

Name: HOTO 16V Brushless Drill Tool Kit

Model: QWDZGJ003

Main Unit Dimensions: Approx. 3.58 × 10.55 × 10.59 in

Main Unit Net Weight: Approx. 7.50 lb

Maximum Torque: 442 lb-in

Charging Specification:

5 V = 2 A; 9 V = 2 A; 12 V = 2 A

Rated Voltage: 14.4 V =

Rated Capacity: 1900 mAh

Battery Type: Lithium-ion Battery Pack

Unloaded Rotational Speed:

High Gear: 0-1700 /min (high-speed mode)

Low Gear: 0-400 /min (low-speed mode)

Maximum Chuck Diameter: Φ10 mm

Charging Time: Approx. 120 min (with 12 V = 2 A charger)

Operating Temperature (Cordless): -10°C to 45°C

Charging Temperature: 5°C to 40°C

Storage Temperature: -10°C to 45°C

Declaration of the noise emission values according to EN 62841

(considered uncertainty 3 dB(A))

Sound pressure level: 79 dB(A)

Sound power level: 85 dB(A)

Declaration of the vibration emission according to EN 62841

(considered uncertainty 1.5 m/s<sup>2</sup>): 1.5 m/s<sup>2</sup>

### Information:

- The declared vibration total value(s) and the declared noise emission value(s) have been measured in accordance with a standard test method and may be used for comparing one tool with another;
- The declared vibration total value(s) and the declared noise emission value(s) may also be used in a preliminary assessment of exposure.

### Warning:

- The vibration and noise emissions during actual use of the power tool can differ from the declared values depending on the ways in which the tool is used especially what kind of workpiece is processed; and
- It is necessary to identify safety measures to protect the operator that are based on an estimation of exposure in the actual conditions of use (taking account of all parts of the operating cycle such as the times when the tool is switched off and when it is running idle in addition to the trigger time).

**The battery is not replaceable.**

### Federal Communications Commission Supplier's Declaration of Conformity

This supplier's declaration of conformity is hereby for

Product: HOTO 16V Brushless Drill Tool Kit

Model Number(s): QWDZGJ003

Brand/Trade: HOTO

We declare that the above mentioned device has been tested and found in compliance with CFR 47 Part 15 Regulation.

This device complies with part 15 of the FCC Rules. Operation is subject to the following two conditions: (1) This device may not cause harmful interference, and (2) this device must accept any interference received, including interference that may cause undesired operation.

**Note:** This equipment has been tested and found to comply with the limits for a Class B digital device, pursuant to part 15 of the FCC Rules. These limits are designed to provide reasonable protection against harmful interference in a residential installation. This equipment generates, uses and can radiate radio frequency energy and, if not installed and used in accordance with the instructions, may cause harmful interference to radio communications. However, there is no guarantee that interference will not occur in a particular installation. If this equipment does cause harmful interference to radio or television reception, which can be determined by turning the equipment off and on, the user is encouraged to try to correct the interference by one or more of the following measures:

- Reorient or relocate the receiving antenna.
- Increase the separation between the equipment and receiver.
- Connect the equipment into an outlet on a circuit different from that to which the receiver is connected.
- Consult the dealer or an experienced radio/TV technician for help.

Representative of Responsible Party for SDCC

Company: HOTO (US) TECHNOLOGY CO LTD

Address: 919 North Market Street, Suite 950, Wilmington DE 19801

Country: U.S.A.

Customer Service(US): +1 855-577-2659

Mon-Fri 9:00am-5:00pm(CST)

Name	Dimensions
HOTO 16V Brushless Drill	Approx. 2.20 × 6.53 × 8.07 in
Charging Cable	19.68 in
Drill Bit	Multi Purpose Drill Bit: 8mm Metal Drill: 3/4/5/6 mm Wood Working Drill: 4/6/7 mm
Claw Hammer	0.94 × 4.13 × 9.45 in
2-inch Screwdriver Bit	6.3 × 50 mm SLS, PH1, PH2, PZ2, H3, H4, H5, T25, Δ2.3, TW1
Multipurpose Screwdriver	1.18 × 7.80 in
Needle-Nose Plier	0.61 × 2.17 × 6.65 in
Adjustable Wrench	0.54 × 2.22 × 7.87 in
Self-Lock Measuring Tape	1.06 × 2.36 × 2.76 in
HOTO 16V Brushless Drill Tool Kit	3.58 × 10.55 × 10.59 in



All products bearing this symbol are waste electrical and electronic equipment (WEEE as in directive 2012/19/EU) which should not be mixed with unsorted household waste. Instead, you should protect human health and the environment by handing over your waste equipment to a designated collection point for the recycling of waste electrical and electronic equipment, appointed by the government or local authorities. Correct disposal and recycling will help prevent potential negative consequences to the environment and human health. Please contact the installer or local authorities for more information about the location as well as terms and conditions of such collection points.



We Shanghai HOTO Technology Co., Ltd., hereby, declares that this equipment is in compliance with the applicable Directives and European Norms, and amendments.

Manufacturer: Shanghai HOTO Technology Co., Ltd.

Address: Building 45, No. 50, Moganshan Road, Shanghai, China

Designed by **HOTO**