

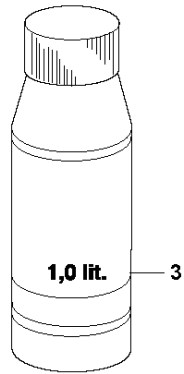


SPARE PARTS LIST

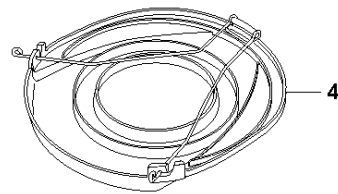
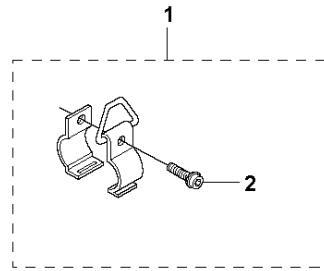
BRUSHCUTTERS/CLEARING SAWS

223 L, 2006-01

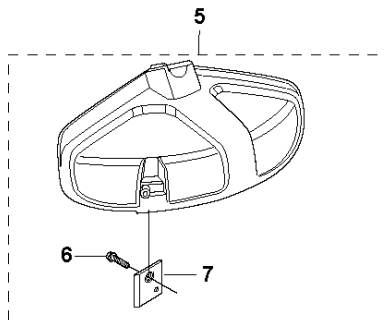
Q2 223L, 223R
ACCESSORIES



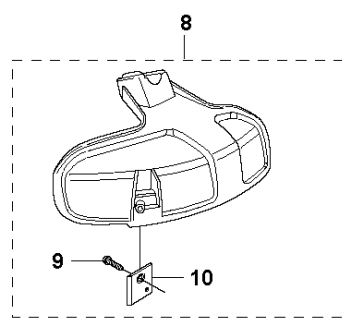
Oil Airfilter
Öl Luftfilter
Huile Filtera aire
Aceite Filtro Air
Olja Luftfilter



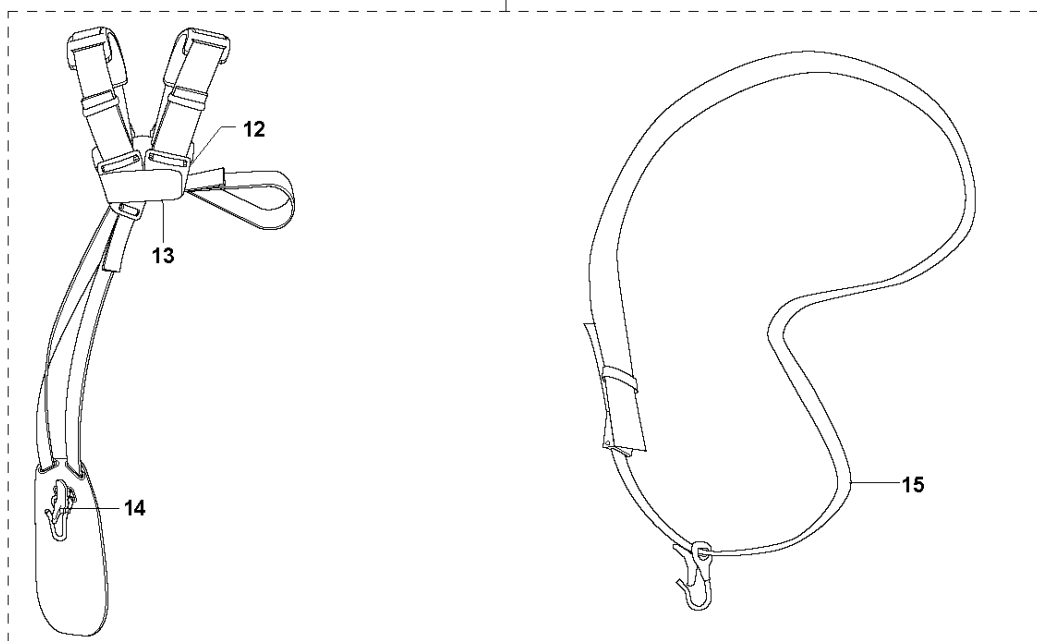
223R



223L



11

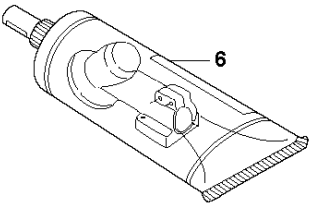
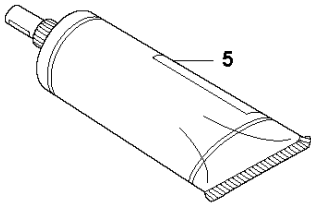
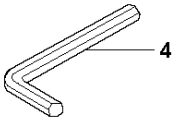
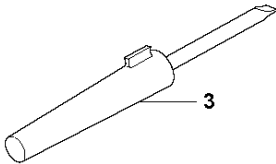
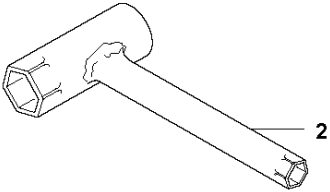
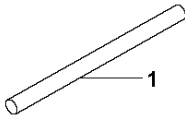


ACCESSORIES

223 L, 2006-01

Ref	Part No	Description	Remark	QTY KIT
1	501 78 33-01	SUSPENSION BAIL		1
2	503 21 83-16	SCREW		1
3	531 00 92-48	FILTER OIL		1
4	537 31 29-01	SAW BLADE GUARD	(200-275mm)	1
5	503 93 42-02	COMBI GUARD	223R	1
6	503 21 07-16	SCREW IHSCT		1
7	503 79 88-01	BLADE		1
8	503 97 71-01	TRIMMER GUARD	223L	1
9	503 21 07-16	SCREW IHSCT		1
10	503 79 88-01	BLADE		1
11	537 21 63-01	HARNESS		1
11	537 21 63-02	HARNESS	(USA)	1
12	503 73 40-01	FRONT PIECE		1
13	503 73 41-02	FRONT PIECE		1
14	502 02 28-02	WELT HOOK		1
15	537 21 62-01	HARNESS		1
15	537 21 62-02	HARNESS	(USA)	1

Q1 223L, 223R
ACCESSORIES

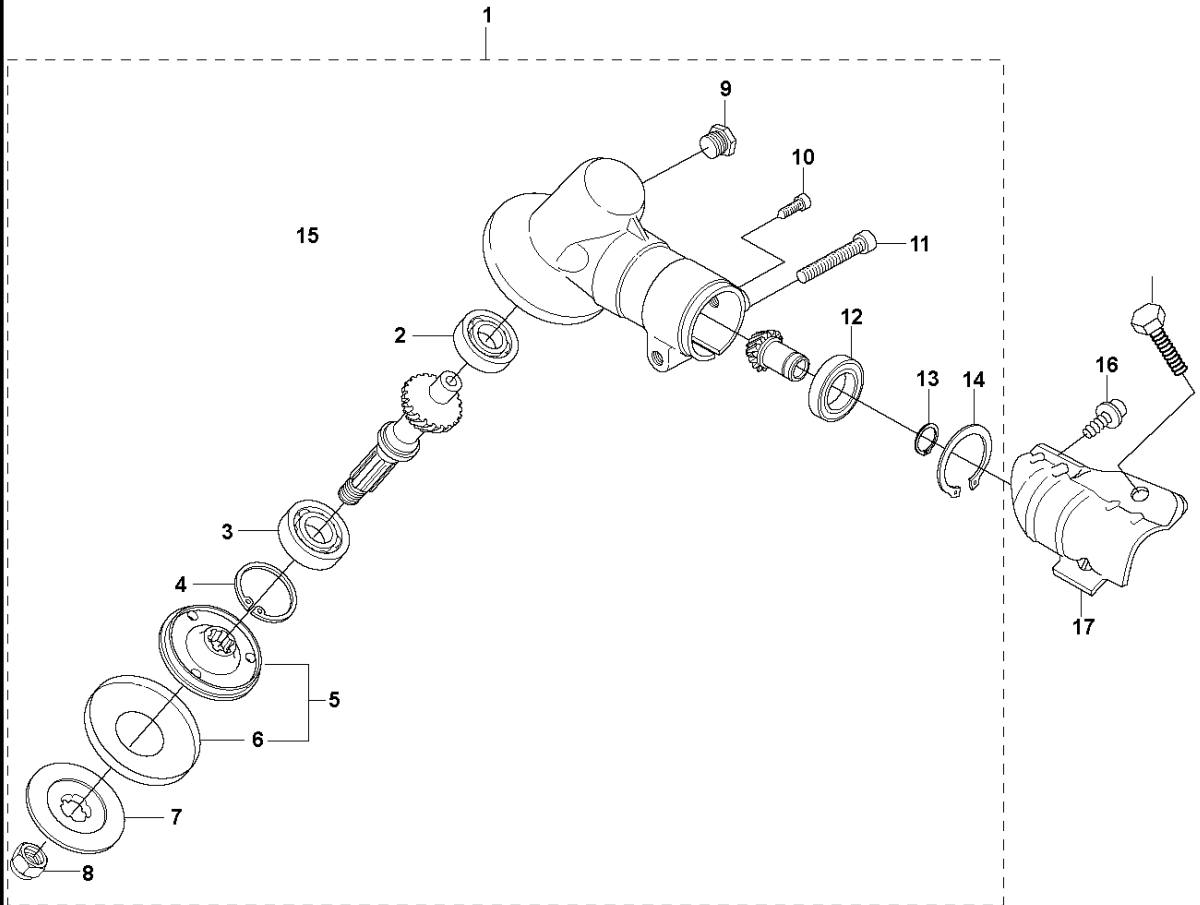


ACCESSORIES

223 L, 2006-01

Ref	Part No	Description	Remark	QTY KIT
1	502 28 59-01	STOP		1
2	502 11 46-02	SOCKET WRENCH		1
3	501 60 02-03	SCREWDRIVER		1
4	502 21 58-01	L-NYCKEL		1
5	503 80 17-01	GREASE	(223L)	1
6	503 97 64-01	GREASE		1

A 223L, 223R
BEVEL GEAR



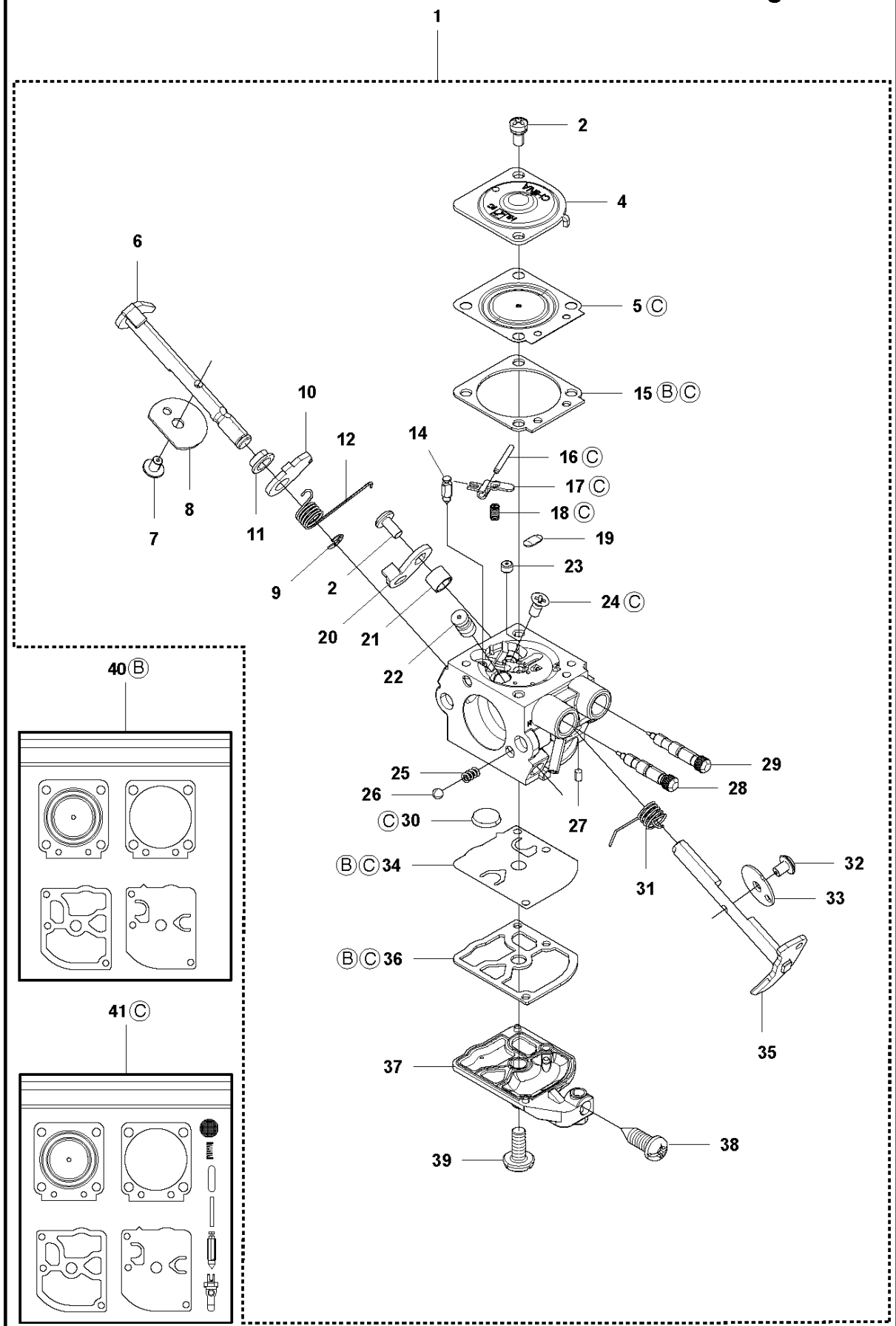
BEVEL GEAR

223 L, 2006-01

Ref	Part No	Description	Remark	QTY	KIT
1	537 34 25-01	BEVEL GEAR		1	1
2	738 21 98-00	BALL BEARING		1	1
3	503 25 24-01	BALL BEARING		1	1
4	735 31 28-10	CIRCLIP		1	1
5	537 23 49-01	DRIVER ASSY		1	1
6	537 29 26-01	CUP		1	5
7	537 28 56-01	SUPPORT FLANGE		1	1
8	503 85 63-01	NUT		1	1
9	503 20 15-01	SCREW IHHM		1	1
10	503 20 14-12	SCREW IHSCFMO		1	1
11	503 20 07-25	SCREW IHSCFM		1	1
12	738 21 99-00	BALL BEARING		1	1
13	735 31 11-00	CIRCLIP		1	1
14	735 31 25-10	CIRCLIP		1	1
15	725 23 70-51	SCREW		1	
16	503 20 07-12	SCREW IHSCFM		1	
17	503 93 55-01	CLAMP.GUARD		1	

CARBURETOR (only option for US)

Hualong HQ-2

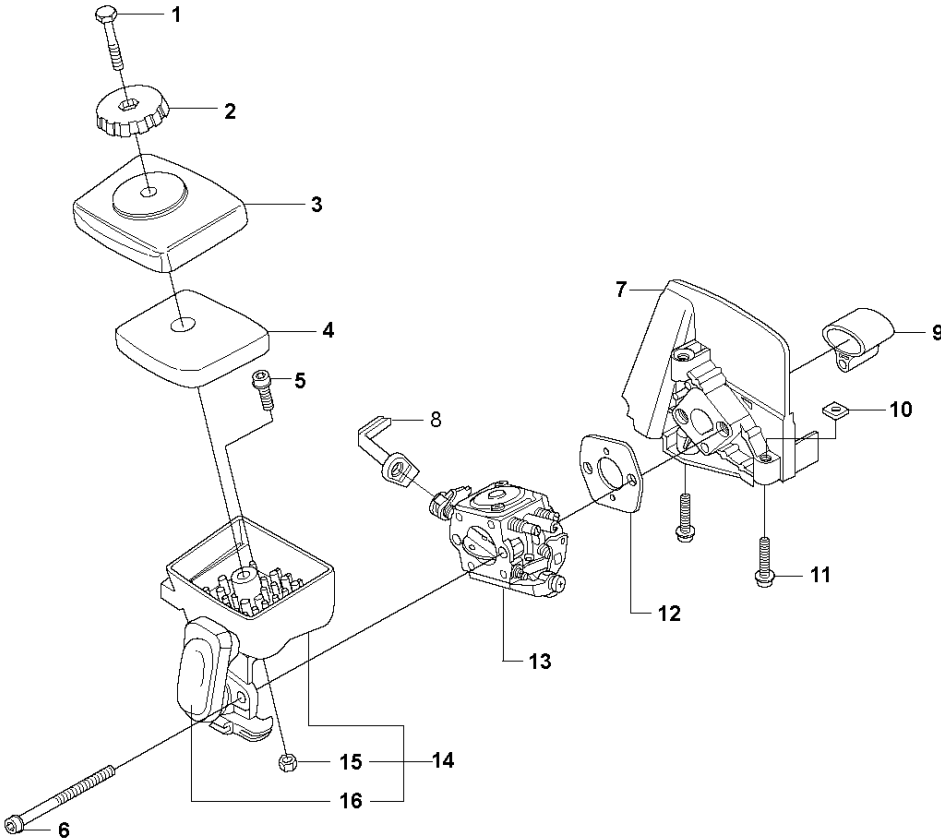


CARBURETOR

223 L, 2006-01

Ref	Part No	Description	Remark	QTY	KIT
1	576 01 98-01	CARBURETTOR	Hualong HQ-2, only option for US	1	
2	576 02 42-01	SCREW		2	1
4	576 02 36-01	COVER		1	1
5	576 02 24-01	DIAPHRAGM ASSY		1	1
6	576 02 30-01	SHAFT ASSY		1	1
7	576 02 41-01	SCREW		1	1
8	576 02 32-01	CHOKE		1	1
9	576 02 48-01	E-CLIP		1	1
10	576 02 31-01	LEVER		1	1
11	576 02 35-01	BUSHING		1	1
12	576 02 33-01	SPRING		1	1
14	576 02 01-01	VALVE		1	1
15	576 02 37-01	GASKET		1	1
16	576 02 03-01	PIN		1	1
17	576 02 04-01	LEVER		1	1
18	576 02 05-01	SPRING		1	1
19	576 02 06-01	PLUG		1	1
20	576 02 28-01	LEVER		1	1
21	576 02 29-01	BUSHING		1	1
22	576 02 07-01	MAIN NOZZLE		1	1
23	576 02 08-01	CHECK VALVE		1	1
24	576 02 43-01	SCREW		1	1
25	576 02 34-01	SPRING		1	1
26	576 02 47-01	BALL		1	1
27	576 02 23-01	BAR		1	1
28	576 02 10-01	NEEDLE		1	1
29	576 02 11-01	NEEDLE		1	1
30	576 02 15-01	SCREEN		1	1
31	576 02 27-01	SPRING		1	1
32	576 02 40-01	SCREW		1	1
33	576 02 26-01	THROTTLE		1	1
34	576 02 39-01	DIAPHRAGM PUMP		1	1
35	576 02 25-01	SHAFT ASSY		1	1
36	576 02 38-01	GASKET		1	1
37	576 02 20-01	COVER		1	1
38	576 02 22-01	SCREW		1	1
39	576 02 44-01	SCREW		1	1
40	581 74 35-01	GASKET KIT		1	1
41	581 74 37-01	REPAIR KIT		1	1

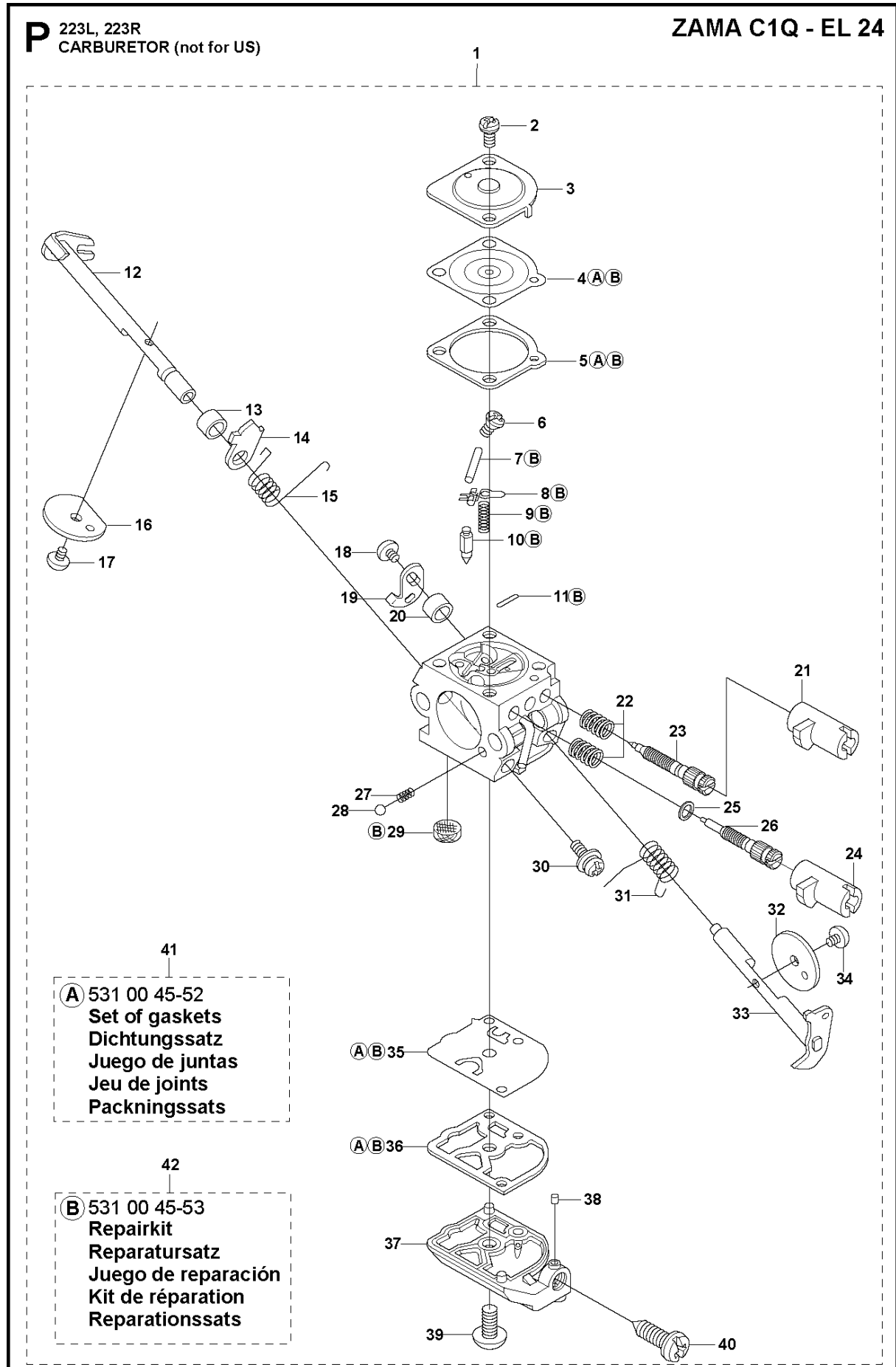
G 223L, 223R
CARBURATOR & AIR FILTER



CARBURETOR & AIR FILTER

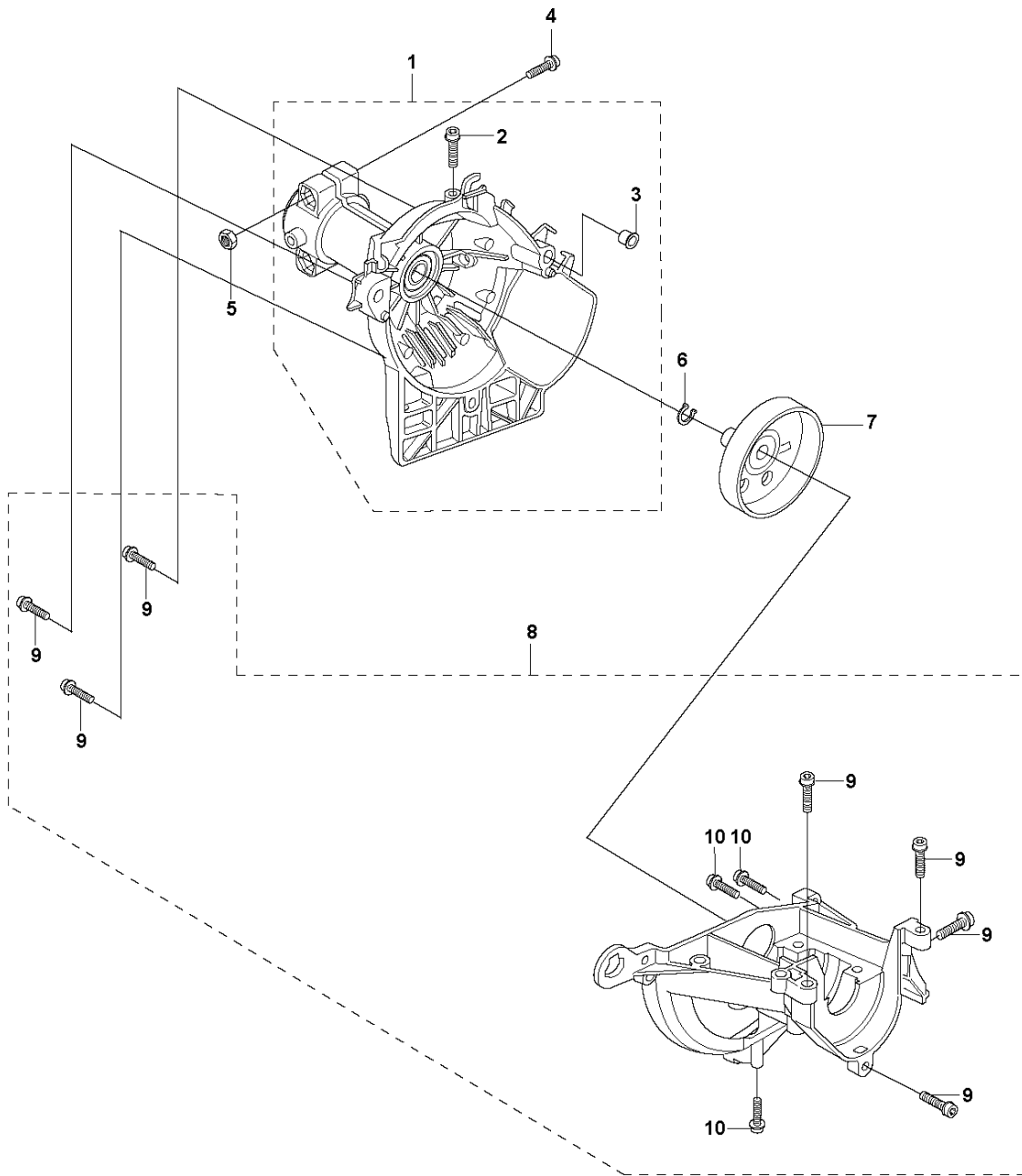
223 L, 2006-01

Ref	Part No	Description	Remark	QTY	KIT
1	502 20 65-03	SCREW EHHM		1	
2	502 20 40-01	KNOB		1	
3	503 88 80-01	FILTER COVER		1	
4	537 18 63-01	AIR FILTER		1	
5	503 21 75-16	SCREW IHSCFT		1	
6	503 21 75-50	SCREW IHSCFT		2	
7	503 91 09-01	INSULATION WALL		1	
8	503 96 25-01	CHOKE CONTROL		1	
9	503 94 26-01	INLET PIPE		1	
10	503 22 65-04	SQUARE NUT		2	
11	503 20 03-25	SCREW IHSCFM		2	
12	503 49 71-01	GASKET		1	
13	503 28 34-01	CARBURETTOR	ZAMA C1Q-EL24	1	
14	503 89 03-01	FILTERBLOCK ASSY		1	
15	731 23 14-01	HEXAGON NUT		1	14
16	503 88 79-01	HUB CAP		1	14



Ref	Part No	Description	Remark	QTY	KIT
1	503 28 34-01	CARBURETTOR	ZAMA C1Q-EL24, NOT FOR US	1	
2	503 48 05-01	SCREW		2	1
3	503 97 43-01	COVER		1	1
4	537 04 89-01	DIAPHRAGM		1	1, 41, 42
5	537 02 04-01	GASKET		1	1, 41, 42
6	503 48 01-01	SCREW		1	1
7	503 48 00-01	PIN RETAINING SCREW		1	1, 42
8	503 66 59-01	LEVER		1	1, 42
9	537 02 03-01	SPRING		1	1, 42
10	503 47 97-01	VALVE		1	1, 42
11	537 02 08-01	PLUG		1	1, 42
12	537 02 09-01	SHAFT ASSY		1	1
13	503 48 19-01	COLLAR		1	1
14	537 04 90-01	LEVER		1	1
15	537 02 10-01	SPRING		1	1
16	537 37 03-01	VALVE		1	1
17	503 48 18-01	SCREW		1	1
18	503 47 90-01	SCREW		1	1
19	537 01 98-01	LEVER		1	1
20	503 47 89-01	COLLAR		1	1
21	537 02 16-01	LIMITER CAP		1	1
22	503 48 08-01	SPRING		1	1
23	537 12 78-01	SCREW		1	1
24	537 02 16-01	LIMITER CAP		1	1
25	503 97 40-01	WASHER		1	1
26	537 02 06-01	SCREW		1	1
27	537 01 26-01	SPRING		1	1
28	537 01 25-01	BALL		1	1
29	503 53 57-01	STRAINER		1	1, 42
30	503 75 53-01	SCREW		1	1
31	537 01 97-01	SPRING		1	1
32	537 01 99-01	VALVE		1	1
33	537 01 96-01	SHAFT ASSY		1	1
34	503 47 92-01	SCREW		1	1
35	537 02 00-01	DIAPHRAGM PUMP		1	1, 41, 42
36	537 02 01-01	GASKET		1	1, 41, 42
37	537 02 02-01	COVER		1	1
38	503 48 11-01	PIECE		1	1
39	503 47 96-01	SCREW		1	1
40	537 02 07-01	SCREW		1	1

M 223L, 223R
CRANKCASE

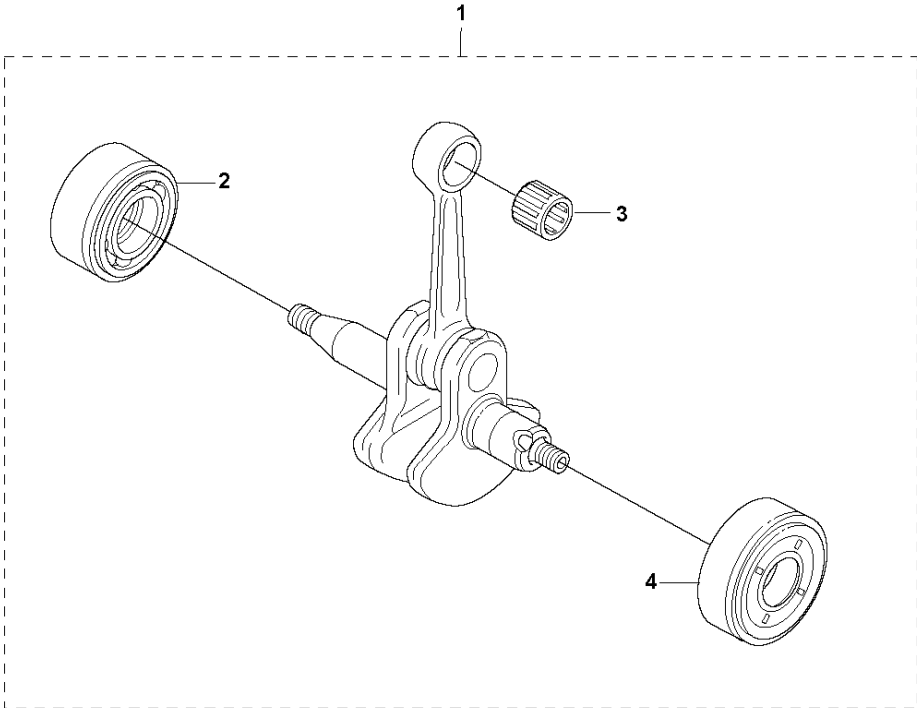


CRANKCASE

223 L, 2006-01

Ref	Part No	Description	Remark	QTY	KIT
1	537 28 97-02	CLUTCH COVER		1	
2	503 21 68-20	SCREW IHSCFT		1	1
3	537 37 38-01	TUBULAR RIVET		3	1
4	503 20 02-25	SCREW IHSCFM		2	
5	731 23 14-01	HEXAGON NUT		2	
6	735 31 12-00	CIRCLIP		1	
7	537 23 75-02	CLUTCH DRUM ASSY		1	
8	537 04 11-02	CRANKCASE		1	
9	503 21 68-20	SCREW IHSCFT		7	8
10	503 21 66-18	SCREW IHSCFT		3	8

N 223L, 223R
CRANK SHAFT

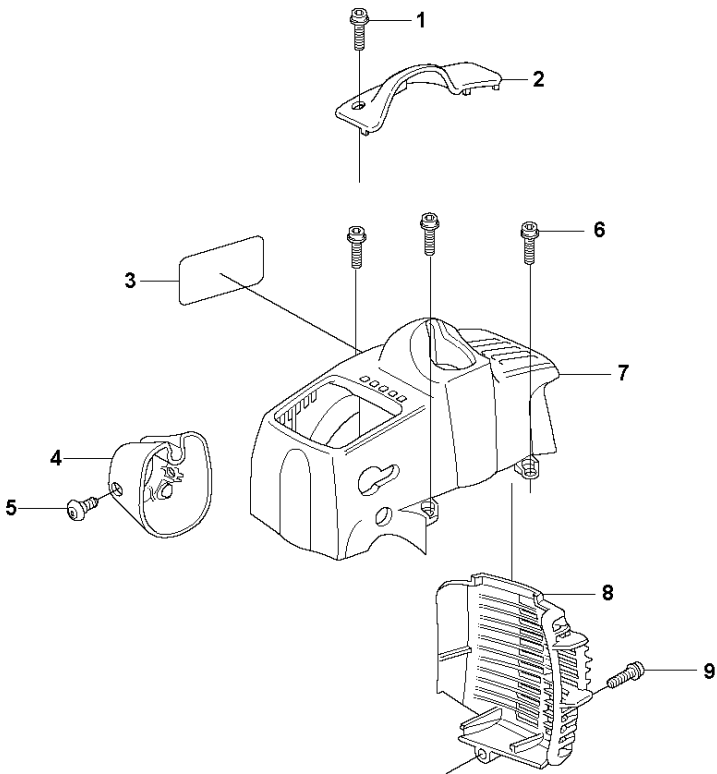


CRANKSHAFT

223 L, 2006-01

Ref	Part No	Description	Remark	QTY	KIT
1	503 85 24-74	CRANKSHAFT ASSY		1	
2	503 94 02-03	BEARING CAGE		1	1
3	503 71 22-01	BEARING		1	1
4	503 94 02-03	BEARING CAGE		1	1

F 223L, 223R
CYLINDER COVER

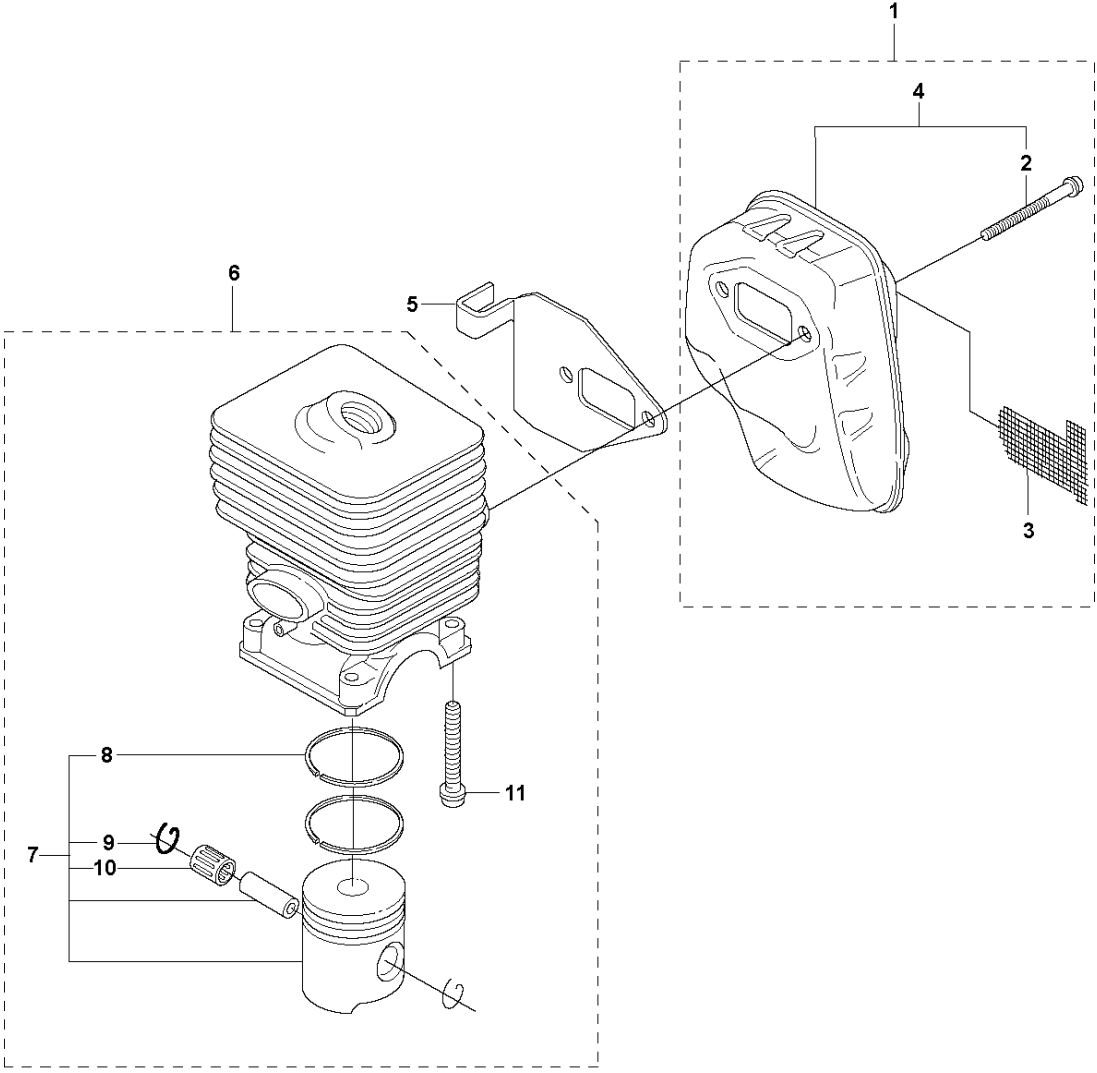


CYLINDER COVER

223 L, 2006-01

Ref	Part No	Description	Remark	QTY KIT
1	503 21 35-12	SCREW CCRPANT		2
2	537 10 44-01	ARM PROTECTION		1
3	537 35 33-36	LABEL	(223L)	1
3	537 35 33-37	LABEL	(223R)	1
4	544 19 35-01	COVER	(223R)	1
5	503 96 13-02	SCREW	(223R)	2
6	503 21 68-20	SCREW IHSCFT		3
7	503 87 18-02	CYLINDER COVER		1
8	537 32 08-01	HEAT PROTECTOR		1
9	503 21 68-20	SCREW IHSCFT		1

L 223L, 223R
CYLINDER, PISTON & MUFFLER

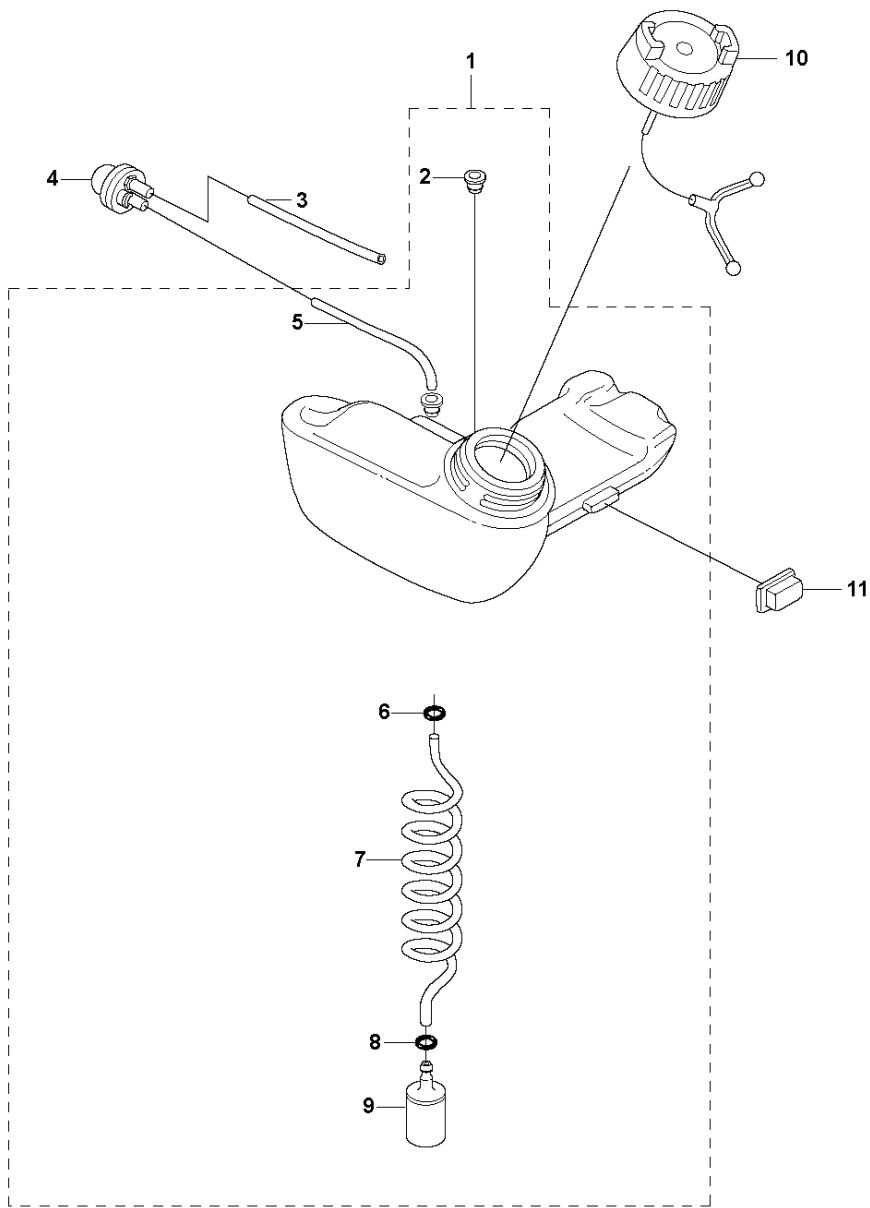


CYLINDER, PISTON & MUFFLER

223 L, 2006-01

Ref	Part No	Description	Remark	QTY	KIT
1	537 03 94-05	MUFFLER ASSY	Cat. (223L)	1	
2	503 20 29-50	SCREW IHSCFM		2	1, 4
3	503 87 17-01	SPARK ARRESTER SCREEN	Cat.	1	1
4	537 16 19-01	MUFFLER ASSY	(223R)	1	1
5	537 01 41-01	GASKET		1	
6	537 03 20-08	CYLINDER		1	
7	537 37 65-04	PISTON		1	6
8	503 28 90-43	PISTON RING		2	7
9	737 44 08-00	CIRCLIP		2	7
10	503 71 22-01	BEARING		1	7
11	725 53 37-55	SCREW IHSCM		4	6

H 223L, 223R
FUEL TANK

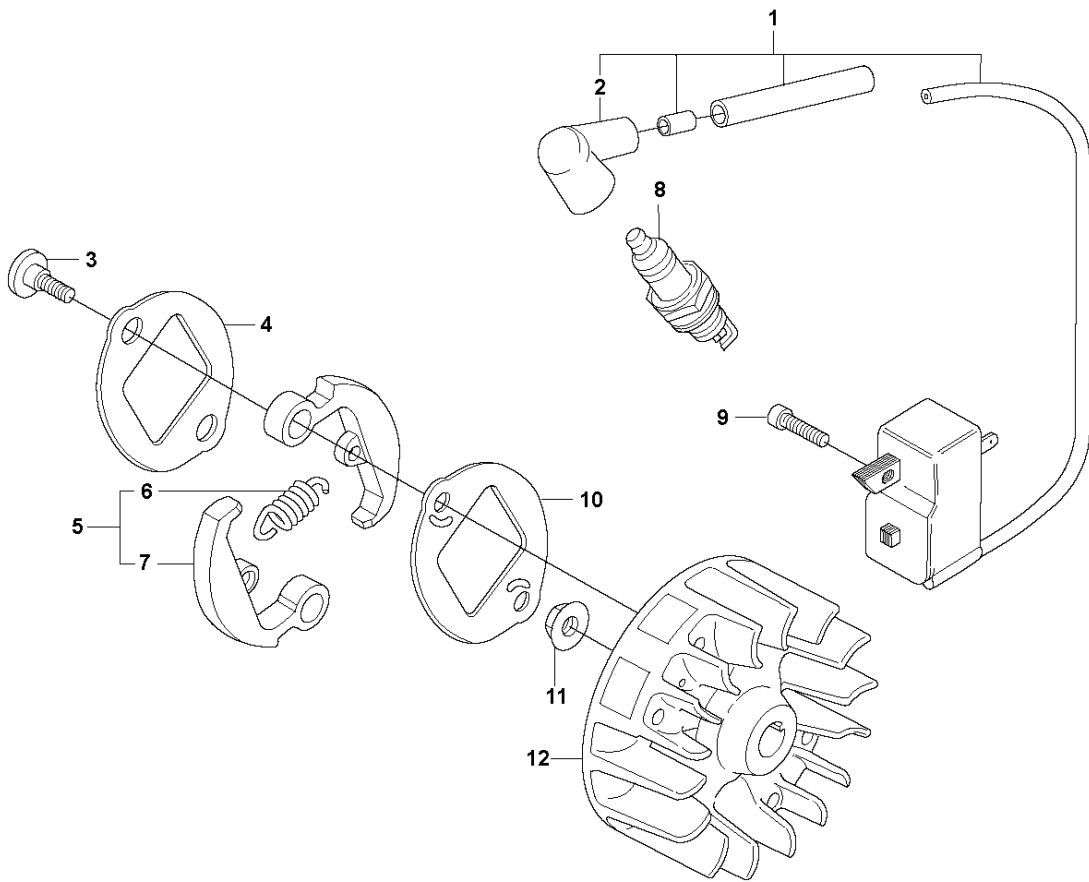


FUEL TANK

223 L, 2006-01

Ref	Part No	Description	Remark	QTY	KIT
1	537 06 86-02	FUEL TANK		1	
2	503 73 58-01	BUSHING		2	1
3	537 04 24-01	FUEL HOSE		1	
4	503 93 66-01	PRIMER HOUSING		1	
5	537 04 24-01	FUEL HOSE		2	1
6	537 18 49-01	O-RING		1	1
7	503 57 76-01	FUEL HOSE		1	1
8	537 18 49-01	O-RING		1	1
9	503 44 32-01	FILTER		1	
10	503 91 18-02	TANK CAP		1	
11	503 91 10-01	SUSPENSION		4	

K 223L, 223R
IGNITION SYSTEM

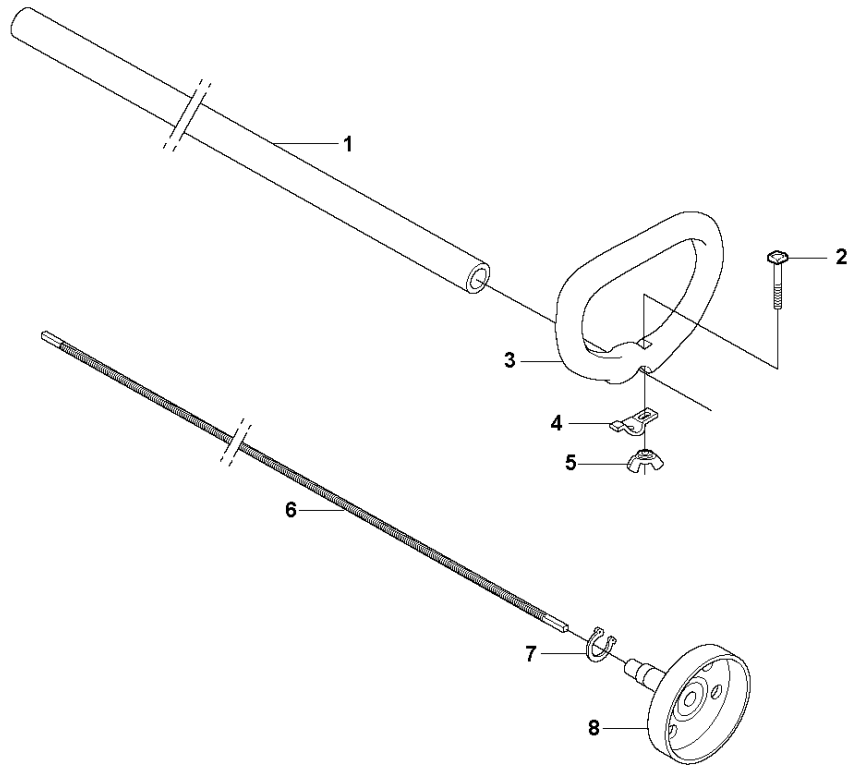


IGNITION SYSTEM

223 L, 2006-01

Ref	Part No	Description	Remark	QTY KIT
1	537 41 87-01	ELECTRONIC MODULE		1
2	537 23 96-01	SPARK PLUG CAP		1
3	503 84 29-02	SCREW		2
4	537 04 67-01	WASHER		1
5	537 03 22-01	CLUTCH ASSY		1
6	503 81 60-01	CLUTCH SPRING		1
7	503 84 28-01	CLUTCH SHOE		2
8	503 23 51-08	SPARK PLUG	Champion RCJ 7Y	1
8	503 23 51-11	SPARK PLUG	NGK BPMR 7A	1
9	503 21 71-16	SCREW IHSCT		2
10	537 04 68-01	WASHER		1
11	731 71 16-51	HEXAGON NUT FLANGE		1
12	537 24 96-02	FLYWHEEL		1

B 223L
HANDLE & SHAFT

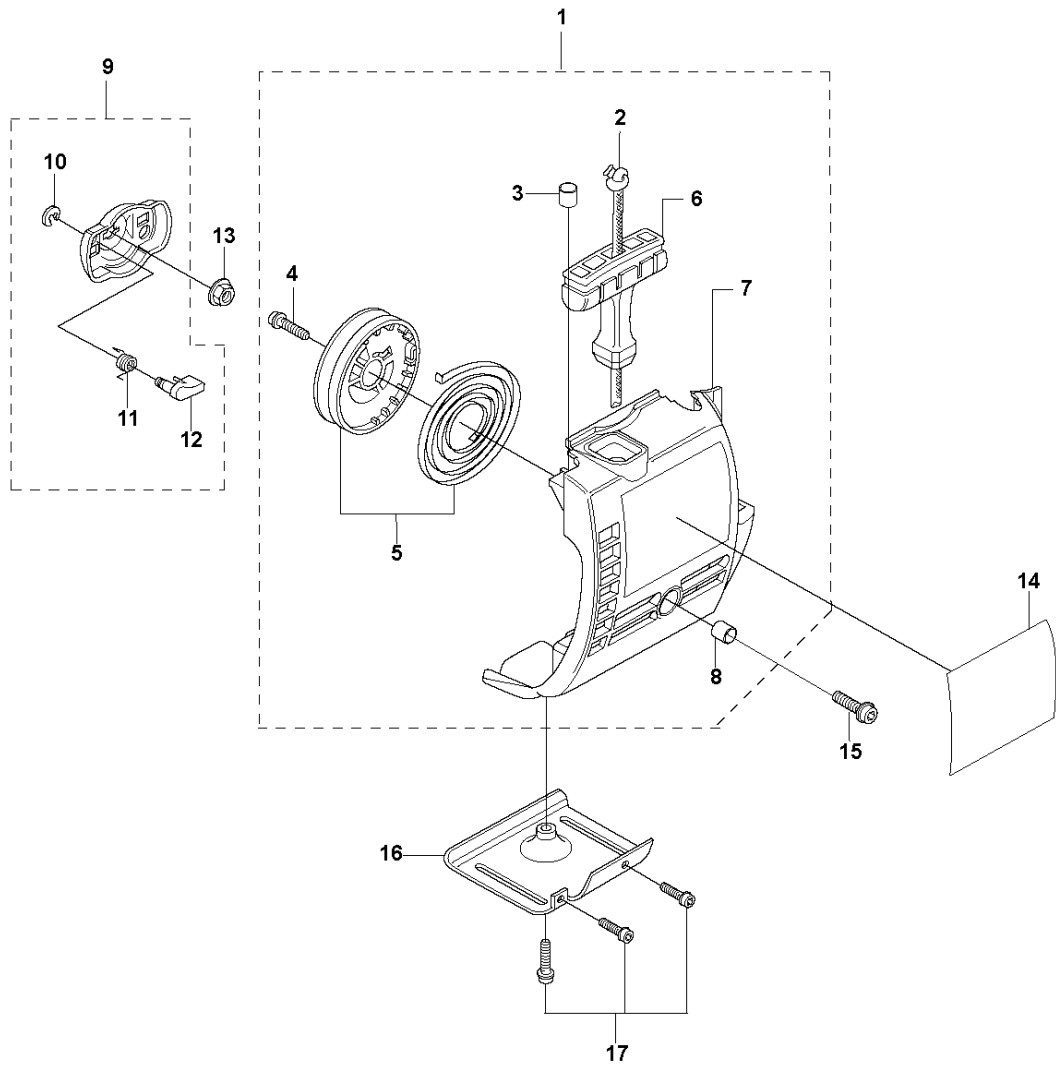


SHAFT & HANDLE

223 L, 2006-01

Ref	Part No	Description	Remark	QTY KIT
1	537 21 49-01	TUBE		1
2	503 21 98-35	SCREW		1
3	537 07 68-02	HANDLE		1
4	537 04 25-01	ATTACHMENT PLATE		1
5	503 22 26-01	NUT		1
6	537 35 17-01	DRIVE SHAFT		1
7	735 31 12-00	CIRCLIP		1
8	537 23 75-02	CLUTCH DRUM ASSY		1
9	503 79 56-01	LABEL		1
10	537 29 47-04	LABEL		1

J1 223L, 223R
STARTER

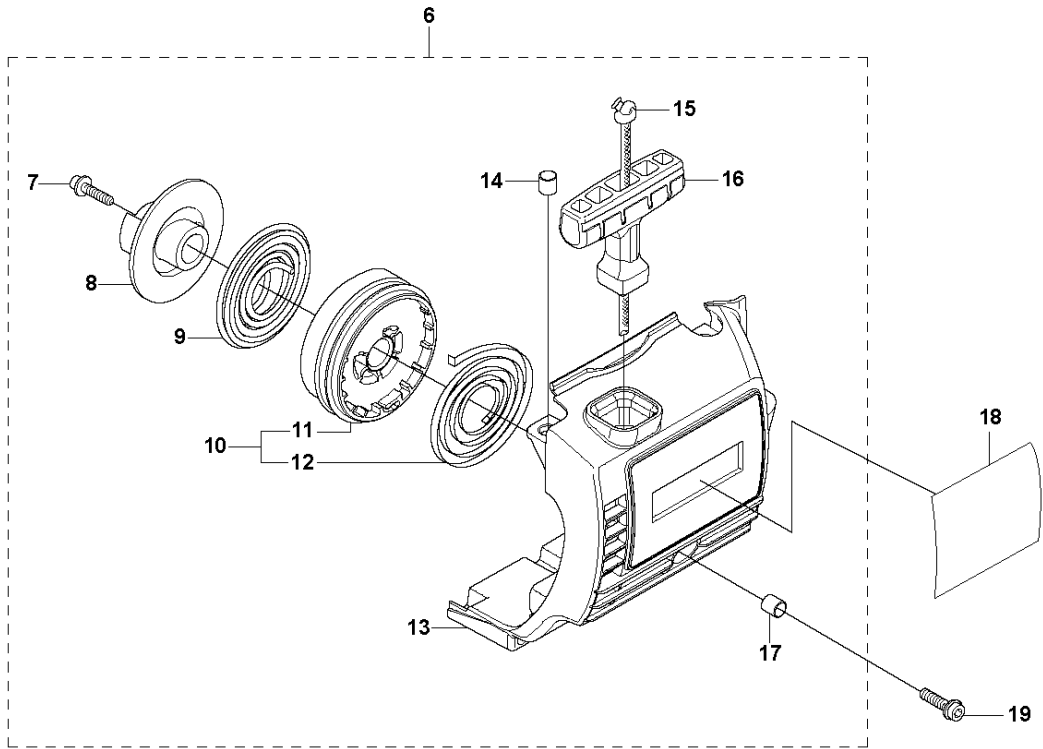
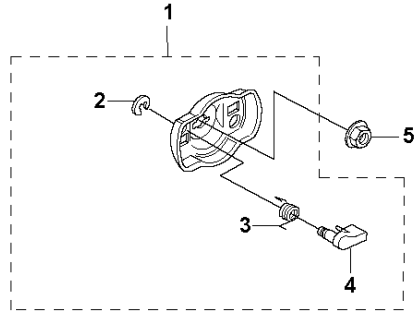


STARTER

223 L, 2006-01

Ref	Part No	Description	Remark	QTY	KIT
1	503 85 28-04	STARTER ASSY		1	
2	503 85 89-01	STARTER CORD		1	1
3	537 37 93-01	SPACING SLEEVE		2	1
4	503 21 77-16	SCREW IHSC T		1	1
5	503 96 49-01	STARTER PULLEY		1	1
6	537 00 84-01	STARTER HANDLE		1	1
7	503 85 87-02	STARTER HOUSING		1	1
8	537 37 93-01	SPACING SLEEVE		1	1
9	503 87 33-02	BRIDGE		1	
10	735 31 08-20	E-CLIP		1	9
11	503 87 36-01	SPRING		1	9
12	503 87 35-02	STARTER PAWL		1	9
13	731 71 16-51	HEXAGON NUT FLANGE		1	
14	537 35 34-50	LABEL	(223L)	1	
14	537 35 34-51	LABEL	(223R)	1	
15	503 21 75-20	SCREW IHSCFT		1	
16	537 03 41-01	PROTECTIVE PLATE	(325)	1	
17	503 21 66-18	SCREW IHSC T		3	

J2 223L, 223R
STARTER

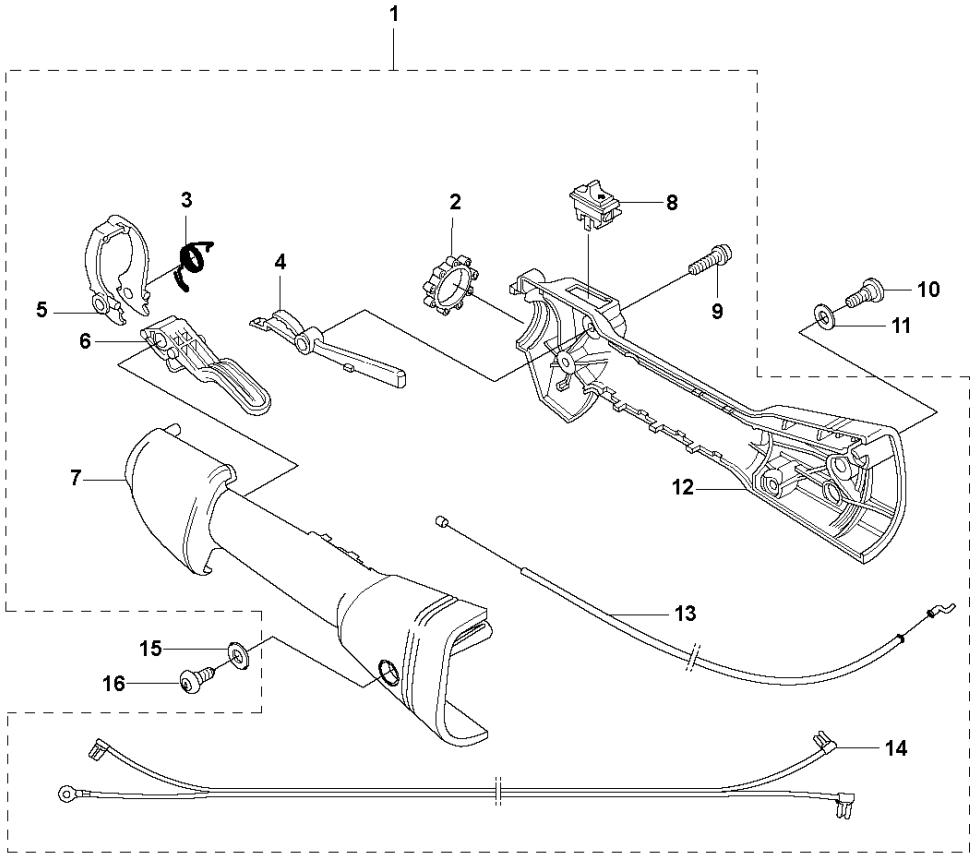


STARTER

223 L, 2006-01

Ref	Part No	Description	Remark	QTY	KIT
1	503 87 33-02	BRIDGE		1	
2	735 31 08-20	E-CLIP		1	1
3	503 87 36-01	SPRING		1	1
4	503 87 35-02	STARTER PAWL		1	1
5	731 71 16-51	HEXAGON NUT FLANGE		1	
6	544 07 11-01	STARTER ASSY		1	
7	503 21 77-25	SCREW IHSCFT		1	6
8	544 03 87-01	DRIVER		1	6
9	544 03 88-01	SPRING		1	6
10	544 16 65-01	STARTER PULLEY ASSY		1	6
11	544 03 86-01	STARTER PULLEY		1	10
12	503 85 90-01	RECOIL SPRING		1	10
13	537 41 16-01	STARTER HOUSING		1	6
14	537 37 93-01	SPACING SLEEVE		2	6
15	503 85 89-01	STARTER CORD		1	6
16	537 00 84-01	STARTER HANDLE		1	6
17	537 37 93-01	SPACING SLEEVE		1	6
18	537 35 34-50	LABEL	223L)	1	
18	537 35 34-51	LABEL	223R)	1	
19	503 21 75-20	SCREW IHSCFT		1	

D 223L
THROTTLE CONTROLS



THROTTLE CONTROLS

223 L, 2006-01

Ref	Part No	Description	Remark	QTY	KIT
1	537 44 38-02	HANDLE		1	
2	503 96 14-01	ABSORBER		1	1
3	537 01 13-01	RECOIL SPRING		1	1
4	503 87 80-01	THROTTLE LOCKOUT		1	1
5	503 91 81-01	THROTTLE LEVER		1	1
6	503 87 79-01	THROTTLE TRIGGER		1	1
7	503 99 56-01	HANDLE HALF		1	1
8	537 41 90-01	SWITCH		1	1
9	503 21 66-18	SCREW IHSCT		2	1
10	503 96 13-02	SCREW		1	
11	740 42 06-00	O-RING		1	
12	503 99 55-01	HANDLE HALF		1	1
13	537 05 25-01	THROTTLE WIRE ASSY		1	1
14	537 41 42-01	SHORT CIRCUIT CABLE		1	1
15	740 42 06-00	O-RING		1	
16	503 96 13-02	SCREW		1	