



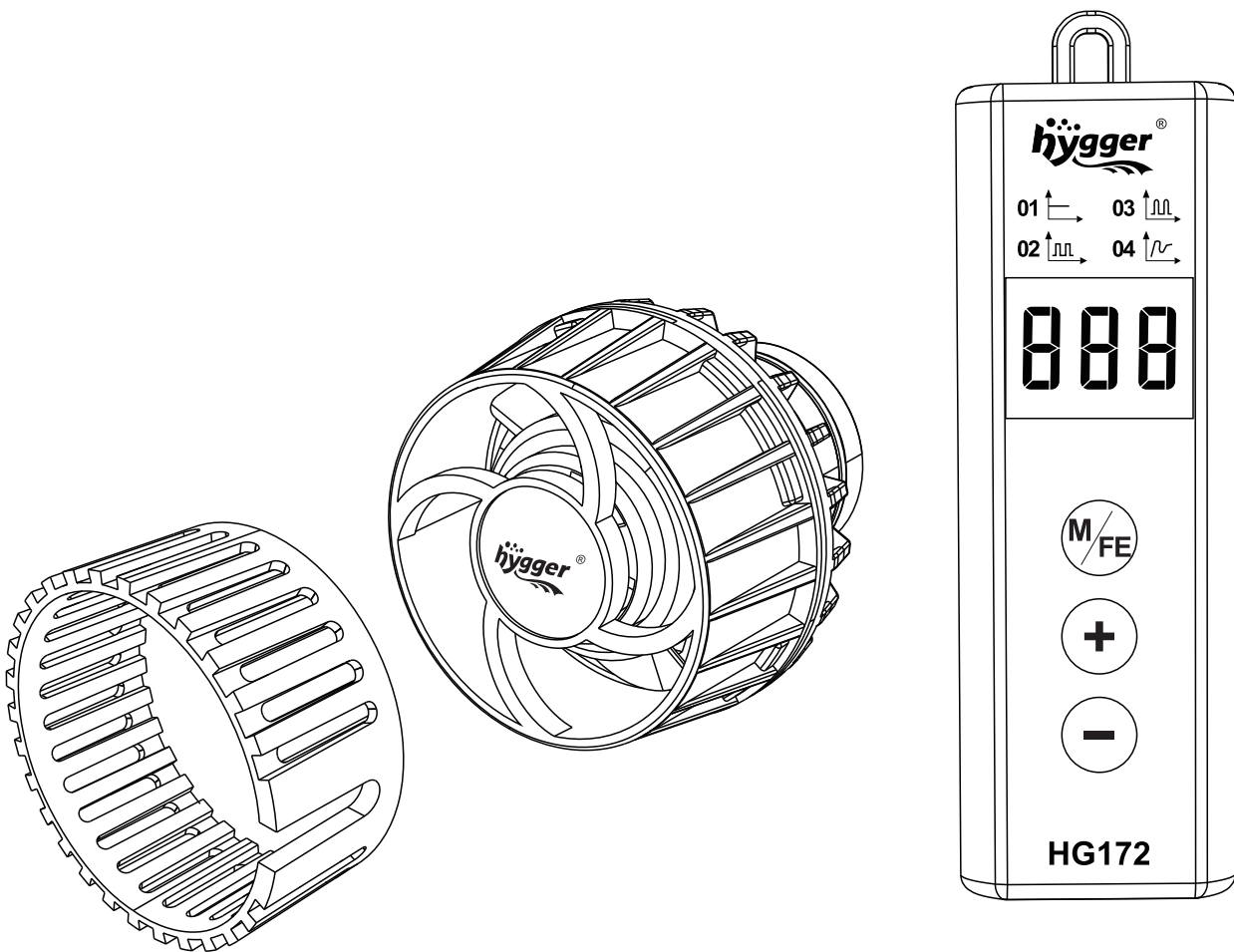
E-mail: distributor@hyggeraquarium.com

Website: www.hyggeraquarium.com



HG172 USER MANUAL

hygger Lite Aquarium Wave Maker DC Pump



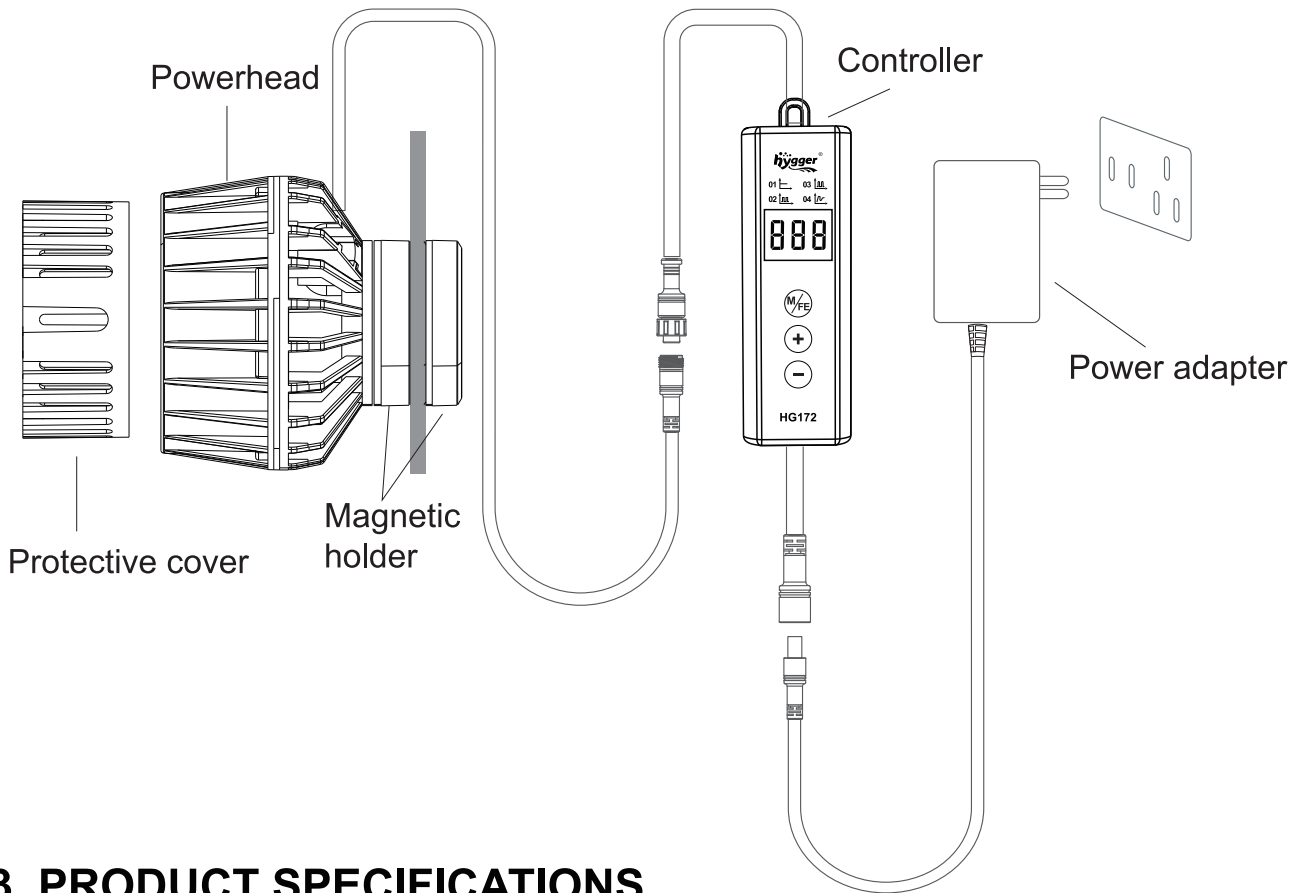
hygger Lite Aquarium Wave Maker DC Pump is suitable for 4-120 gallons of aquariums. It features a simple operation controller to customize wave modes, flow rates, and frequencies. It is compact in size and has a powerful impeller.

Please read this manual carefully before using the product and keep it for future reference; follow the instructions to ensure proper pump operation.

1. PRODUCT FEATURES

- Power adapter is safe, energy-saving, and has low power consumption.
- Adjustable wave modes, flow rate, and wave frequency.
- The ultra-quiet wave pump is controlled by sine wave technology.
- Strong magnetic holder, easy to install and move.
- The pump is suitable for freshwater, saltwater, and reef aquariums.
- The pump is suitable for glass thicknesses up to 3/8inch (8 mm).

2. PRODUCT DIAGRAM

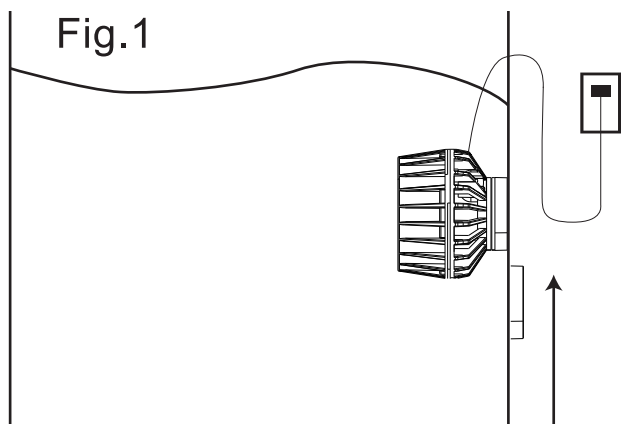


3. PRODUCT SPECIFICATIONS

Model	HG172-6W	HG172-12W
Voltage	Input:100-240V 50/60Hz Output:DC12V	Input:100-240V 50/60Hz Output:DC24V
Power	6W	12W
Max flow rate	792GPH(3000L/H)	2114GPH(8000L/H)
Applicable aquarium size	4~50GAL(15~189L)	50~120GAL(189~450L)
Glass thickness	≤3/8inch(8MM)	≤3/8inch(8MM)

4. INSTALLATION INSTRUCTIONS

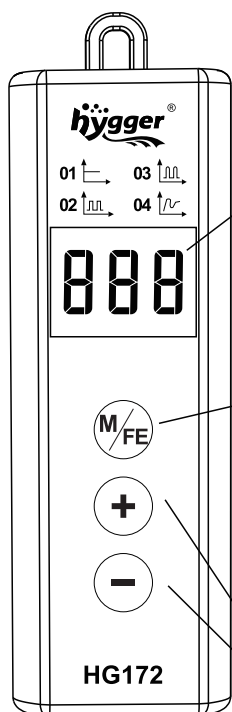
- Detach the magnetic holder from the pump body.
- Place the pump at least 3 inches (7.6 cm) underwater and secure it to the aquarium's outer glass with the magnetic holder.
- Connect the wave pump to the controller and the controller to the adapter. Plug in and go (Fig. 1)



CAUTION:

- Be careful not to pinch your fingers; the magnetic force is strong.

5. INSTRUCTIONS FOR USING KBUTTON FUNCTIONS



LED display for Feed Time/Mode/Flow Rate/Frequency

M Button: Short press “M” to choose wave modes from 01 to 04.

01: Constant Wave Mode

02: Classic Pulse Wave Mode

03: Sine Wave Mode

04: Random Wave Mode

Feed Time

Press and hold the “M” button to enter the feeding countdown mode, FE9.... FE1, after the feeding mode is over, runs to the pre-feeding mode. Press and hold the “M” button for exit.

+/- Button: Adjustable for Flow Rate/Frequency increase or decrease

****Attention ****

- Before starting for the first time, ensure a protective cover is installed well on the wave pump. It will better ensure the safety of your fish.
- The controller is not waterproof. Please avoid contact with water to prevent electric shock, damage, or injury.
- The pump should never run dry; it will show an E04 error code if it runs dry. Please ensure that the appliance is always fully submerged when running; the water should be at least 1 inch above the top edge of the pump to prevent damage.

6. HOW TO OPERATE THE CONTROLLER

M Button

1. Short press the “M” button to display 01, 02, 03, 04 and select 4 waveform modes.
01: Constant Wave Mode --->Press “+/-” button can choose the water flow rate from F01-F10.
- 02: Classic Pulse Wave Mode -->Press “+/-” button can choose the frequency from P01-P10
- 03: Sine Wave Mode-->Press “+/-” button can choose the frequency from P01-P10
- 04: Random Wave Mode-->Press “+/-” button can choose the frequency from P01-P10

7. WARNING

The mains voltage and current frequency for the pump are specified. Your power supply must meet these requirements. Please do not use the wave pump with mains voltages and current frequencies other than those specified.

1. Never allow the pump to run dry for more than 5 minutes. During operation, the device should always be completely covered by water to ensure a certain degree of cooling. The controller shall not be in contact with water; Otherwise, it is possible to cause irreparable damage to the pump.
2. The device is suitable for use in fresh and salt water. Do not use it in flammable, acidic or corrosive liquids.
3. The device can be operated in clean water within the temperature range of 4°C (39°F) to 35°C (95°F). Operation outside this temperature range may result in damage.
4. Never lift the device directly by the cable to avoid damage.
5. If the cable is damaged, turn off the appliance for safety.
6. The controller shall not fall into the water or operate in a high-humidity environment. The controller is not waterproof. Ensure you do not place the controller in a dark place to avoid affecting the night function.
7. The pump housing is held to the aquarium glass by a very strong magnet. Make sure you never put the two magnetic sides of the holder together without protection; they are very difficult to separate again.
8. When not in use, keep the pump in its packaging.

8. TROUBLESHOOTING

Please note: Always disconnect the appliance from the power supply before troubleshooting.

Error	Cause	Solutions
The pump does not work	Damaged power supply	Replace the power supply
	Damaged pump	Replace the pump
	The controller is broken	Replace the controller
	The impeller is blocked	Remove the impeller and clean it
	The motor protection function has triggered	Disconnect the device from the power supply for two seconds and then plug it back in
	Run dry	E04 error code display and put the pump into water or shutdown the power supply
Insufficient water current	The impeller is clogged	Clean the impeller
	The water inlet or outlet is blocked	Clean the water inlet or outlet
The pump switches off after a short time	Dirty water	Carry out a water change
	The water temperature is too high	Please note that the maximum temperature is 35 °C
E1	Overvoltage	Replace the controller
E2	Undervoltage	Replace the controller
E3	Overcurrent	Replace the controller
E4	Dry running	Submerge the pump completely in the water
E5	Motor blockage	Reassemble the impeller

9. MAINTENANCE

1. Always disconnect power to equipment operating underwater before maintaining underwater equipment.
2. Cleaning: First, disconnect the plug connection from the controller and pump. Remove the cover on the front of the pump and remove the impeller and axle. Then, carefully clean all pump parts with a soft brush in clear water. After cleaning, reassemble the device according to the relevant operating instructions.
3. Make sure that the plug connections never get wet during cleaning.

10. PACKING LIST

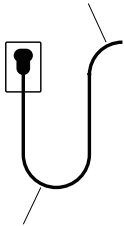
- 1x Controller
- 1x Power adapter
- 1x Protective cover
- 1x User manual
- 1x Powerhead

11. WARNING

To avoid possible electric shock, do not immerse the switch in the water. If the switch falls into the water or becomes wet, do not touch it until you have unplugged it. Basic safety precautions that should be observed are as follows:

1. Read and follow this user manual strictly.
2. **DANGER-** To avoid possible electric shock, special care should be taken since water is employed in the use of aquarium equipment. For each of the following situations, do not attempt to repair yourself. Instead, return the pump to an authorized service facility for maintenance or discard it.
 - A. If the pump shows any sign of abnormal water leakage or RCD (or GFCI- Ground Fault Current Interrupter), unplug the power and remove the pump from water.
 - B. Carefully examine the pump after installation. It should not be plugged in if there is water on parts that are not intended to be wet.
 - C. Do not operate the pump if it has a damaged cord or plug, is malfunctioning, dropped or damaged in any manner. The power cord of this pump cannot be replaced. If the cord is damaged, the pump should be discarded.
 - D. To avoid the possibility of the pump plug getting wet, position the aquarium and its stand to one side of a wall mounted outlet to prevent water from dripping onto the outlet or plug. A “drip loop”, shown in the figure below, should be arranged by the user for each cord, which connects the pump to the outlet. If an extension cord is used, the “drip loop” is the part of the cord below the level of the outlet or the connector that prevents water from traveling along the cord and coming in contact with the outlet. If the plug or outlet does get wet, **DO NOT** unplug the cord. Disconnect the fuse to the circuit breaker that supplies power to the pump. Then unplug and examine for the presence of water in the outlet. If you are not sure, consult a certified electrician.

POWER CORD



DRIP LOOP

3. Close supervision is necessary when the pump is used near children.
4. To avoid injury, do not contact moving or hot parts.
5. Always unplug the pump from the outlet when not in use, before putting on or taking off parts, maintenance or placing hands in the water. Never yank the cord to pull the plug from the outlet. Grasp the plug and pull to disconnect.
6. Do not use the pump for other than intended use. The use of attachments not recommended or sold by the appliance manufacturer may cause an unsafe condition and will void the warranty.

12. HYGGER LIMITED MANUFACTURER'S WARRANTY

We offer the end user of this product a manufacturer warranty of 3 (2) years from the date of sale if this product was purchased from a hygger®-authorised specialist dealer.

Retain receipt for any future warranty claim. Conditions apply. Products are guaranteed by hygger® Aquatic Supplies to the original purchaser against defective material and workmanship under normal use for a period up to 3 (2) years from the date of the original purchase through an Authorized Dealer. Refer to the User Manual included with your product for specific warranty details.

Products have no warranty if:

- 1.) The product has been serviced, modified or tampered with by anyone other than hygger® Aquatic Supplies.
- 2.) The product has been abused or damaged (including broken or cracked bulbs), and/ or.
- 3.) The product has been transported without proper packaging.
- 4.) The product was purchased from an Unauthorized Reseller.

WARRANTY LIABILITY DISCLAIMER

In no event will hygger® be liable for any consequential or incidental damages, including but not limited to, lost aquatic life, personal injury, property damage, equipment damage, lost profits, lost wages, lost savings, lost income, etc., arising out of the use of any hygger® products.

1.0. Terms and Conditions of Warranty.

- 1.1. hygger® warrants to the purchaser, for 3 (2) years from date of original purchase through an Authorized hygger® Reseller, free to repair or replace parts where fault is found due to defective materials or faulty workmanship and where goods do not operate in accordance with the instructions.
- 1.2. All claims for repair or replacement must be made at place of purchase.
- 1.3. Only the direct purchaser is entitled to warranty claims against us and these are not transferable without our consent.
- 1.4. The original and dated Proof of Purchase (receipt) must be supplied with all goods claims. Please also provide this Guarantee where possible.
- 1.5. Wear parts (e.g.: seals, suction devices, axes, pump wheels, light sources, pH electrodes, filter media, such as filter cartridges, as well as UVC burners), glass damage and the opening of the product, as well as structural changes or the use of non-hygger® original parts are excluded from the guarantee.
- 1.6. All goods subject to claim under Guarantee should be prepared for transportation in the original packaging or other comparable packaging which offers the same degree of protection and hygger® must incur no costs from the shipment.
- 1.7. Where claims on inspection reveal goods are in normal working order, hygger® will request reimbursement of all reasonable costs incurred.
- 1.8. Warranty claims do not exist in the case of only insignificant deviations from the agreed or customary condition or usability, e.g. insignificant deviations in colour, dimensions and/or quality or performance characteristics of the products.
- 1.9. Our warranty obligation extends only to the delivery of newly manufactured products. Unless otherwise agreed, used products are sold as seen, excluding any warranty.

For more warranty information, please see the hygger website.

13. DISPOSAL

Do not dispose of this product as unsorted municipal waste. Collection of such waste separately for special treatment is necessary. This product has to be disposed of at an authorized place for the recycling of electrical and electronic appliances rather than being disposed of together with the domestic waste. Collecting and recycling waste is a way of saving natural resources. So, please consult with your local seller to make sure the product is disposed of in an environmentally friendly way.



14. CONTACT INFORMATION

Distributed by: Hygger Aquarium, Inc.
13941 Magnolia Ave, Chino, CA 91710

E-mail: distributor@hyggeraquarium.com
Website: www.hyggeraquarium.com

Trademarks of Shenzhen Mago Trading Co., Ltd
Bantian Group Business Center, Longgang,
Shenzhen City, China
All Rights Reserved

Made in China



Have a question? We're here to help:
USA Call: +1 (909) 590-2880
Mon-Fri: 9:00 am - 5:30 pm PST Sat-Sun: Closed

EC	REP	Company: E-CrossStu GmbH Address: Mainzer Landstr.69,60329 Frankfurt am Main E-mail: e-crossstu@outlook.com Tel: +49 69332967674
----	-----	--

UK	REP	CET Product Service Ltd. Beacon House Stokenchurch Business Park,Ibstone Rd,Stokenchurch High Wycombe HP14 3FE UK info.cetservice@gmail.com +447419325266
----	-----	--

