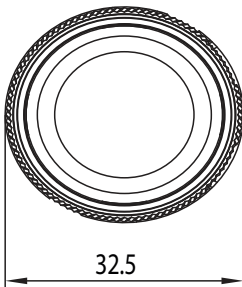
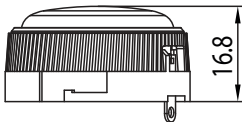
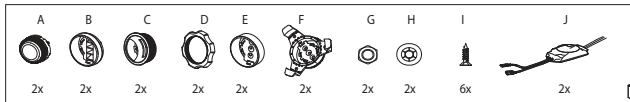
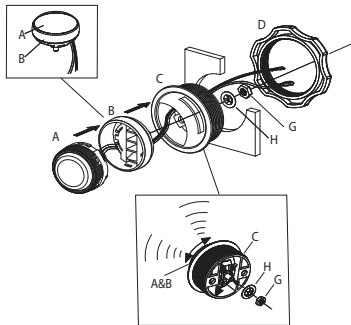
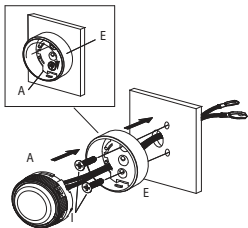
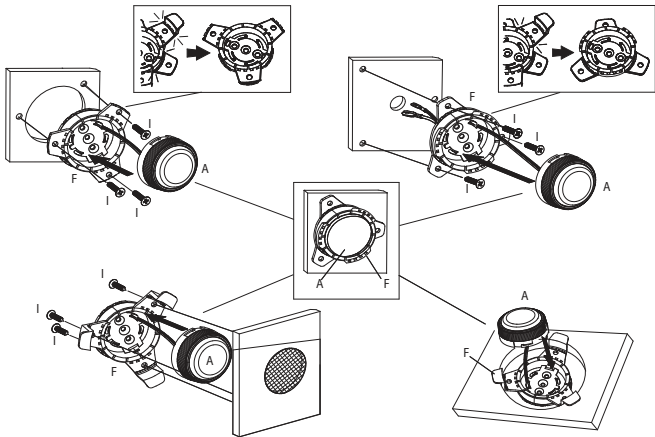
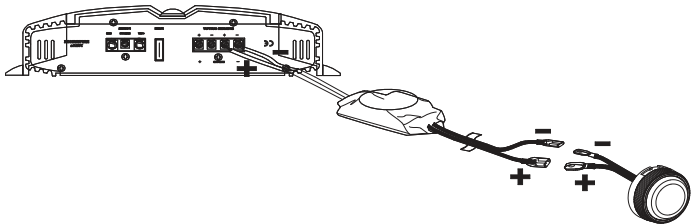


# Club 194T









## Specifications

- Type: 3/4" (19mm) Edge-Driven dome tweeter
- Power Handling: 50W RMS, 150W peak
- Sensitivity (@ 2.83V): 92dB
- Frequency Response: 3kHz – 20kHz
- Nominal Impedance: 3.0 ohms



HARMAN International  
Industries, Incorporated, 8500  
Balboa Boulevard, Northridge,  
CA 91329 USA

© 2023 HARMAN International  
Industries, Incorporated.

All rights reserved. JBL is a  
trademark of HARMAN International Industries, Incorporated,  
registered in the United States and/or other countries.  
Features, specifications and appearance are subject to change  
without notice.