

Jumper 2.4GHz ELRS AION-RX-MINI-se Manual

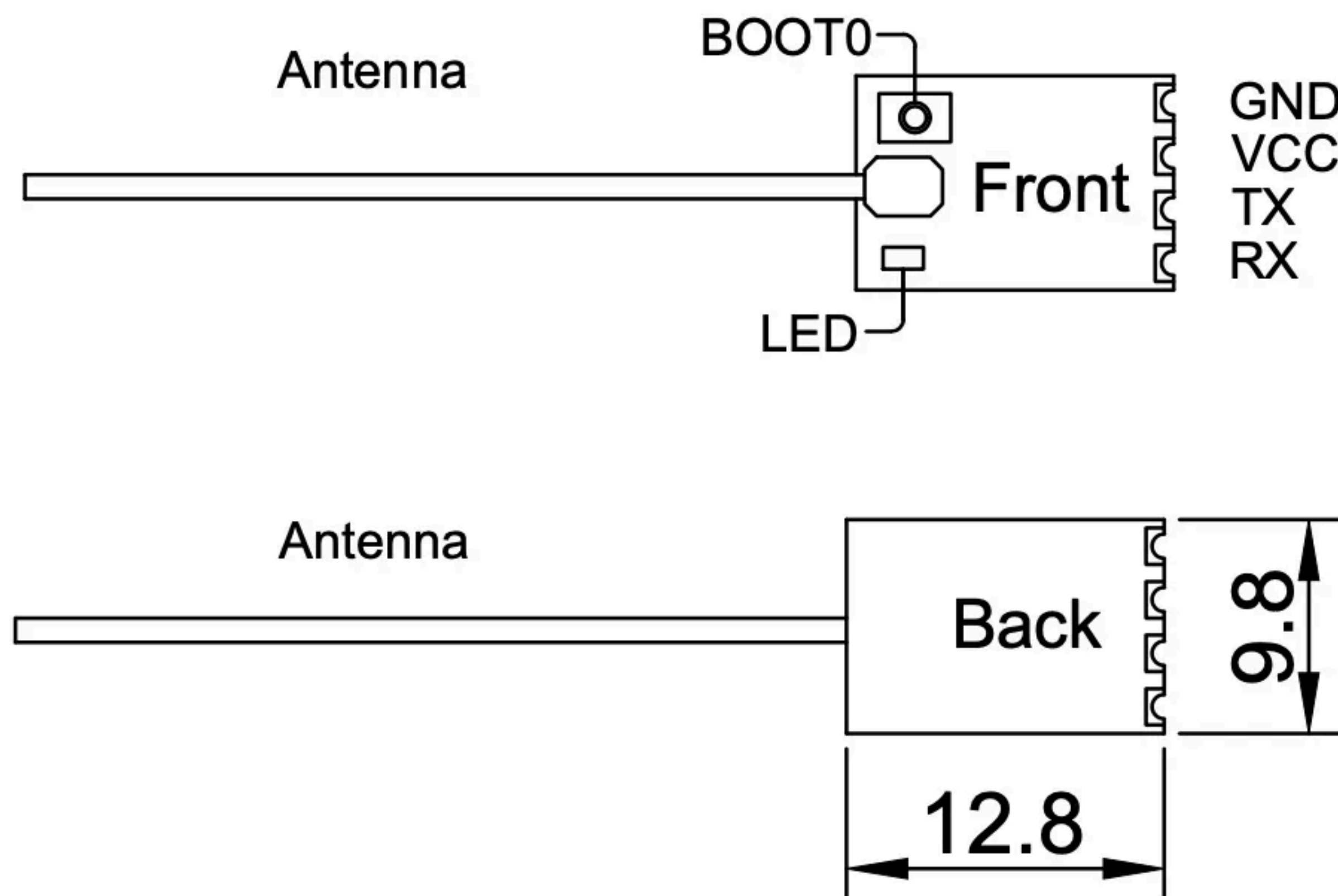
Introduction

Thank you for purchasing Jumper AION-RX-MINI full duplex telemetry receiver. In order to fully enjoy the benefits of this system please read the instruction manual carefully and set up the device as described below.

Specifications

Dimension: 12.8*9.8*3.6mm (L x W x H)
Weight: 0.8g
Number of Channels: 16Ch
Operating Voltage Range: 3.5V~6V
Operating Current: 60mA@5V
Operating Range: Full range
Distance: >5KM
Compatibility: radios in ELRS 2.4 mode

Overview



Binding Procedure

Binding is the process of uniquely associating receiver to a transmitter/transmitter RF module . A transmitter internal or external RF module can be bound to multiple receivers (not to be used simultaneously).A receiver can only be bound to one RF module.Follow the steps below to finish the binding procedure.

1.Put the transmitter/transmitter RF module into binding mode

2.Power the receiver 3 times, green light flashes double and the receiver is in binding mode. Bind in the radio, the receiver's green light will be always on, then the binding is completed.

If the receiver is not bound in 20 seconds after power-on, the receiver will get into Wifi firmware updating mode, the green light will flash at the same time.

Failsafe

Failsafe is a useful feature which is for a preset channel output position whenever control signal is lost for a period.

Follow the steps to set Failsafe for channels necessary :

Failsafe for receiver supporting ELRS RF mode setting can be set via radio interface, which support no pulse, hold and custom three modes for each channel.radio go to: MODEL SETUP/Internal RF/Failsafe.

Note: Failsafe setting via transmitter for channel output position just for ELRS RF mode, and Failsafe setting via transmitter has higher priority to setting via receiver. A reasonable Failsafe setting can decrease falling risk and damage.