



Ride On SUV w/ Personalize License Plate (12V)

060-ROT-05

Owner's Manual

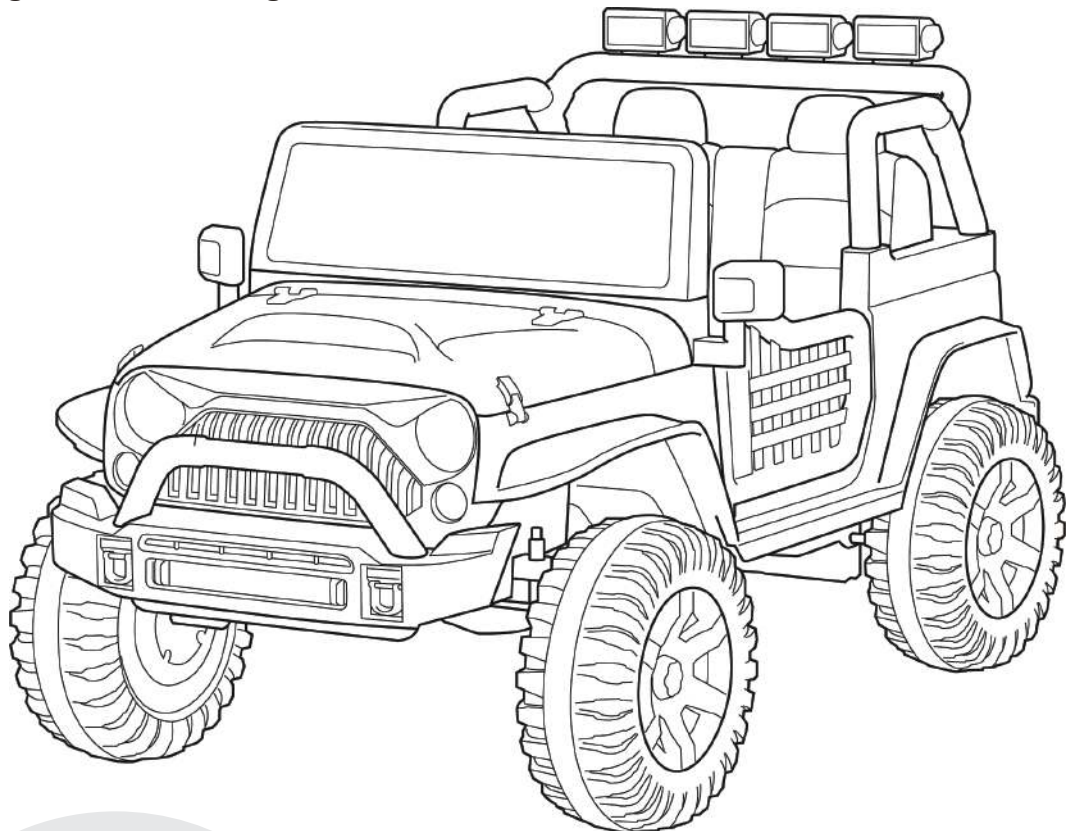
*Product appearance and colors may vary from the photo.

WARNING:

This product should only be assembled by an adult.

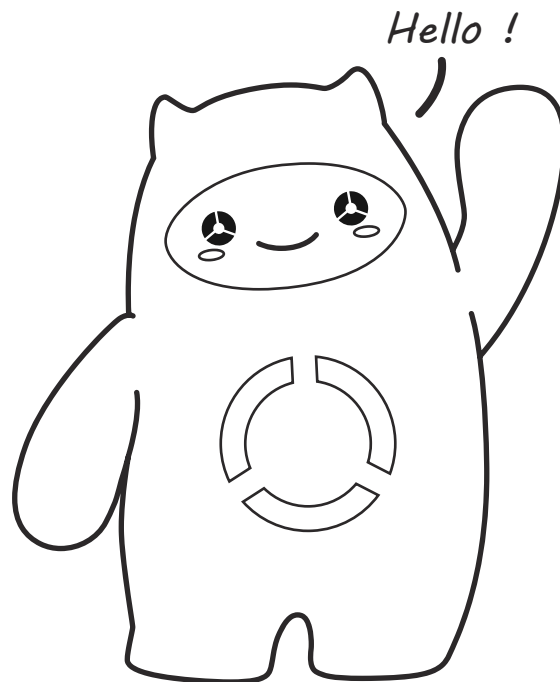
Suitable Ages: 37-96 Months

Maximum User Weight : 110 lb / 50 kg



Welcome to Kidzone's world of ride-ons where fun and adventure await! Little ones have a blast riding our toys at home, in the park, or on the sidewalk.

At Kidzone, our goal is to make playtime more fun for kiddos, while ensuring comfort and safety. Our ride-ons help create joyful moments for the entire family that'll turn into forever memories!



 **ATTENTION**

This owner's manual contains important safety, performance, and maintenance information.

Read the manual before allowing your child to ride on the product.

Keep this manual for future reference.

Table of Contents

04	Safety Instruction
06	Product Specification
07	Parts and Accessories
09	Assembly Instruction
18	User's Instruction
19	User's Instruction Control Panel
20	User's Instruction Remote Control
21	User's Instruction Charging
22	Care and Maintenance
23	Troubleshooting
25	Warrenty Information

Safety Instruction



When using electrical product, basic safety precaution should always be followed including the following:

Failure to follow the safety instructions may result in property damage, serious injury or death.

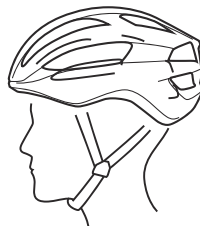
WARNING

DISCLAIMER

- Manufacturer and seller expressly disclaim any and all liability for personal injury, property damage or losses, whether direct, indirect, or incidental, resulting from the incorrect attachment, improper use, inadequate maintenance, unapproved modification, or neglect of this product.

BASIC SAFETY

- **This product is only designed to be used by children age 37-96 Months.**
- **Do not exceed the maximum weight capacity of 110 lb / 50 kg.**
- **Adult and/or supervisors must instruct the user all common safety rules and safe practice.**
- **This product should be operate on a flat and smooth surface. Do not use this product in any slippery conditions including rain, snow, and ice, or at any potential dangerous places.**
- **Do not drive the vehicle on the long grass , rugged or muddy ground.**
- **To reduce the risk of injury, adult supervision is required. Never use in roadways, near motor vehicles, on or near steep inclines or steps, swimming pools or other bodies of water; always wear shoes, and never allow more than 1 rider.**
- **RISK OF FIRE. Do not bypass. Replace only with original size and type.**
- **Do not use this product as a traffic tool.**
- **Never leave children unattended with the ride-on toy. Close supervision is necessary when your children is using the product.**
- **If necessary, adult and/or supervisors should be responsible for setting up gate and barriers to ensure a safe environment for child rider.**
- **Be aware and alert children that hands, legs, hair, clothings, and loose items can potentially get caught in moving parts. Avoid placing body parts on moving parts and do not wear loose clothing while using the ride-on toy.**
- **Avoid using this product in tight environment to prevent damage to the product or injury to the user.**
- **This product does not equip with brakes. Do not use this product in areas that requires active braking to prevent possible rolls, crashes, or bodily injury.**
- **Do not use this product in the dark. Only operate this product during daytime or in a well lit area.**
- **Avoid continuously hitting into obstacle to prevent overheating or damaging the motor. Drive away or remove obstacle as soon as possible.**
- **For your child's safety, make sure the seatbelt is securely fasten and the rider is wearing personal protective equipment, such as helmet, when operating this product.**



Correct Fitting

Make sure the helmet covers your forehead.



Incorrect Fitting

Forehead is exposed and vulnerable to injury.

CAUTION

Failure to follow these instruction may result in permanent damage to the product or parts.

CELL BATTERY AND RECHARGEABLE BATTERY HANDLING

- Do not mix old and new batteries.
- Do not mix alkaline, standard (carbon-zinc), or re-chargeable batteries.
- Permanent damage to the battery may occur if it is completely drained. Do not let the battery to drain completely.
- On average, you will need to charge the battery for 8 - 12 hours. Do not charge the battery for more than 20 hours. Failure to charge the battery as directed could cause permanent damage to the battery and void the warranty.
- Only an adult who has read and understands the safety instruction should handle, charge, and recharge the battery.
- Disconnect the battery if not used for a long period of time.

WARNING

Failure to follow these instruction may result in bodily harm, serious injury, or death.

CHOCKING HAZARD, ASSEMBLY WARNING

- This product contains small parts before assembly. Keep children away when assembling the ride-on toy. The assembly should only performed by an adult.
- Remove and dispose all protective materials, plastic bag, and packaging before assembly.
- This product should not be used by children under the age of 36 months old.

ELECTRIC SHOCK, FIRE HAZARD, FLAMMABLE AND EXPLOSIVE WARNING

- To protect against electrical shock, do not let cord, charger, transformer, battery or the product contact with water or other liquid.
- Do not drive the vehicle into any puddle or contact with any liquid to prevent electrical shock.
- Do not change, modify, or add any electrical wiring on the product. Alternations could potentially cause short circuit, a fire, or irreversible damage to the electrical system.
- Only use charger and battery provided or recommended by the manufacturer. Using the wrong type of battery or charger could cause a fire and potentially property damage and serious injury.
- Check the battery, charger, and connectors for any sign of excessive wear or damage each time you charge the battery. Do not use the charger or the battery if damages are present. Change and replace damage part before use.
- Do not lift or carry the battery by the wires or charger. You might damage the wires and cause electric shock or fire.
- Do not charge more than 20 hours. You might over heat the battery and cause damage or a fire.

CORROSIVE CHEMICAL, PRODUCT MATERIAL WARNING

- Contact or exposure to battery leakage may cause serious injury. If contact or exposure occurs to the skin or in the eyes, or if the chemical is swallowed, call medical emergency immediately.
- Battery posts, terminals, and related accessories contain lead and lead compounds which are toxic and corrosive. Never open the battery.

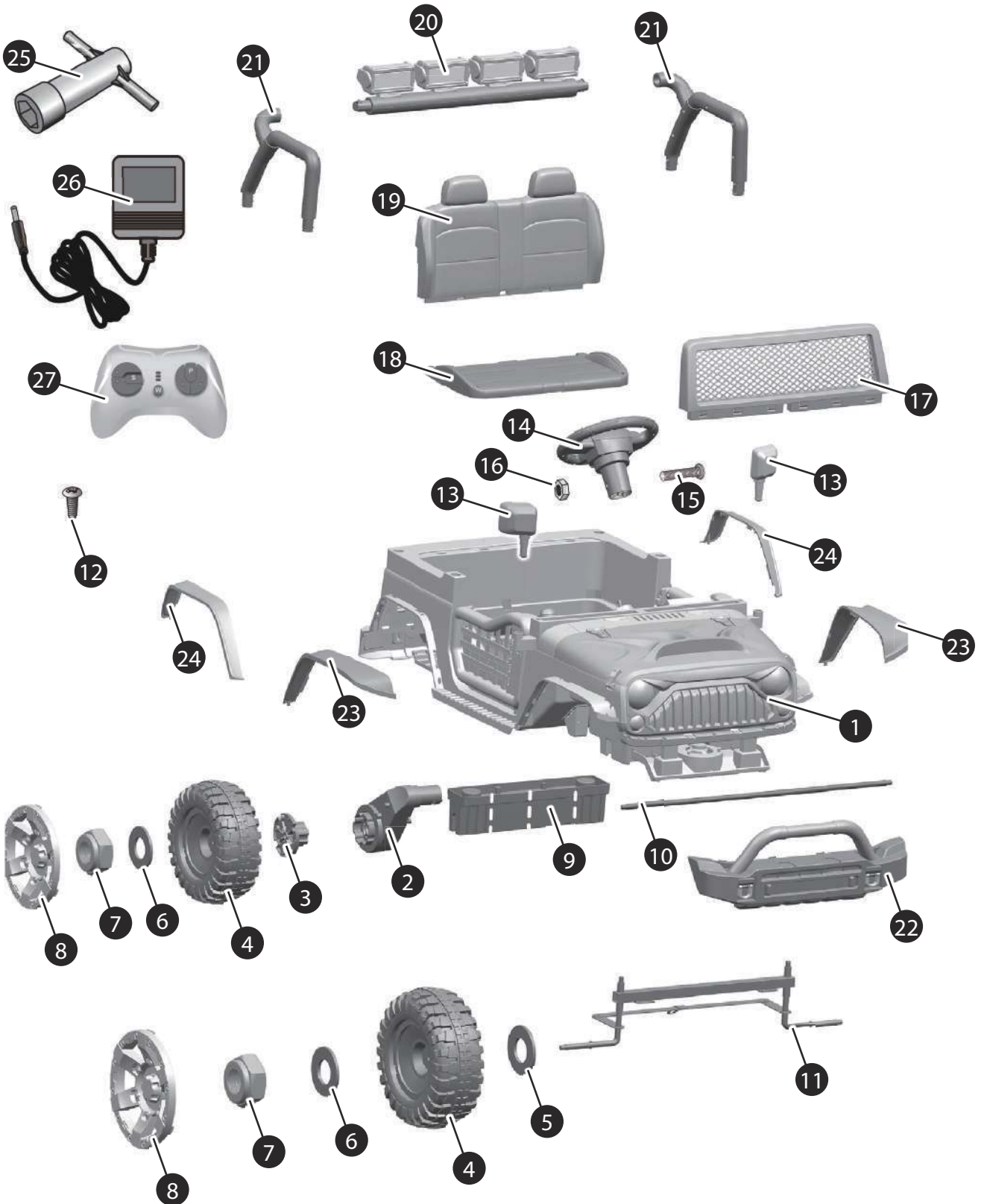
Product Specification



Model no.	060-ROT-05
Battery	12 V 7 Ah x1
Charger input	120V AC, 0.25 A, 60 Hz
Charger output	12 V 900 mA
Battery Charge Time	8 - 12 hours
Dimension	45.08" x 28.54" x 28.74" (1145 mm x 725 mm x 730 mm)
Speed	1.56- 3.8 mph (2.5-6.0 km/h)
Suitable Age	37-96 Months
Maximum User Weight	110 lb / 50 kg



Parts and Accessories



Parts and Accessories



Part No.	Part Name	QTY
1	Vehicle Body	1
2	Gear Box	2
3	Wheel Hub	2
4	Wheel	4
5	Ø12 Washer	2
6	Ø10 Washer	4
7	Lock Nut	4
8	Wheel Cover	4
9	Rear Axle Housing	1
10	Rear Axle	1
11	Front Axle	1
12	Ø4 x 12 Screw	45
13	Side Mirror	1 Pair
14	Steering Wheel	1
15	M5 x 45 Machine Screw	1
16	Ø5 Nut	1
17	Wideshield	1
18	Seat	1
19	Backrest	1
20	Light Bar	1
21	Light Bar Support	1 Pair
22	Front Bumper	1
23	Front Fender	1 Pair
24	Rear Fender	1 Pair
25	Spanner	2
26	Charger	1
27	Remote Control	1



Assembly Instruction

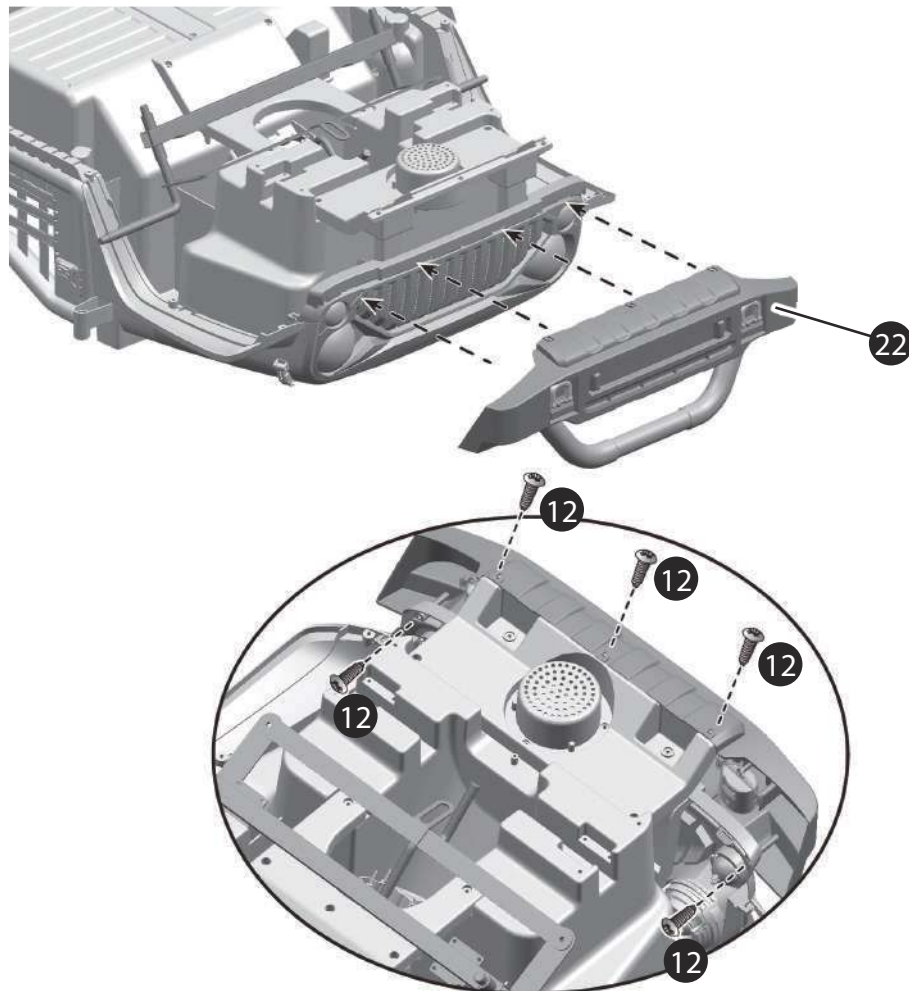
⚠ WARNING

**This product should only be assembled by an adult.
Children can be harmed by small parts, sharp edges and points or by electrical items. Care should be taken when unpacking and assembling the vehicle.**

Tools required (not included)



1

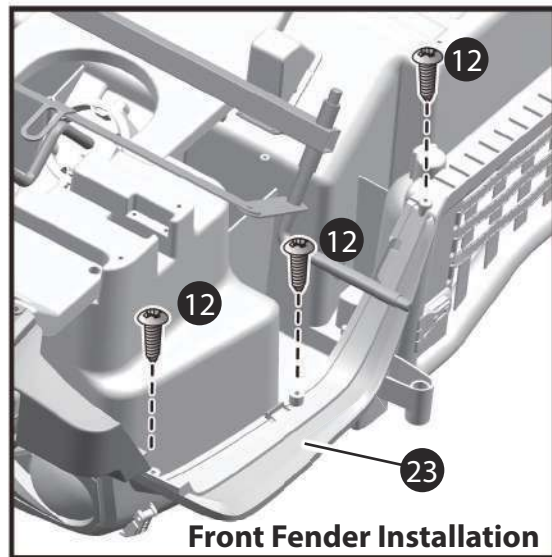
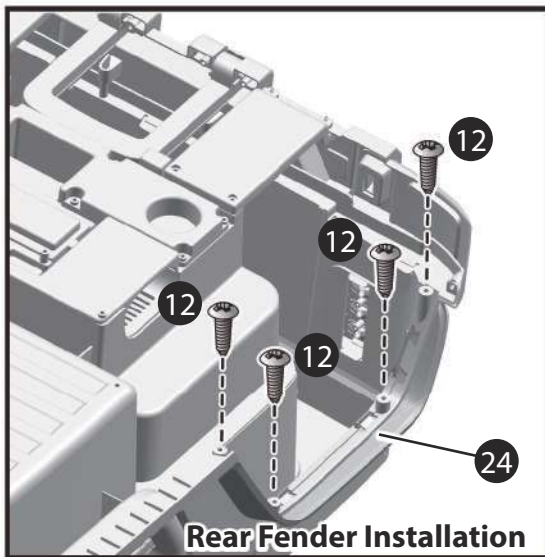
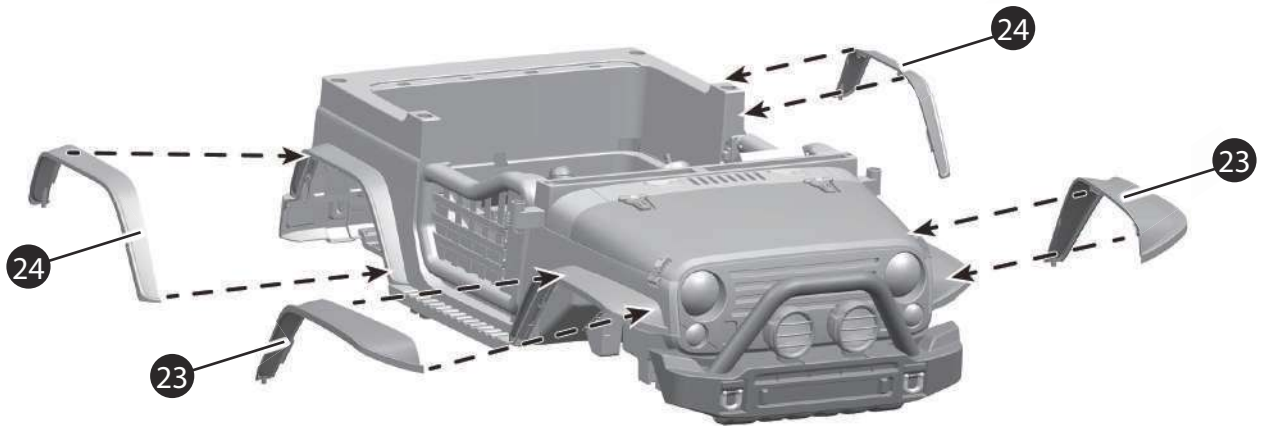


- Turn the vehicle body upside down.
- Snap the front bumper (22) to the vehicle body and then tighten five $\text{Ø}4 \times 12$ screws (12).

Assembly Instruction



2

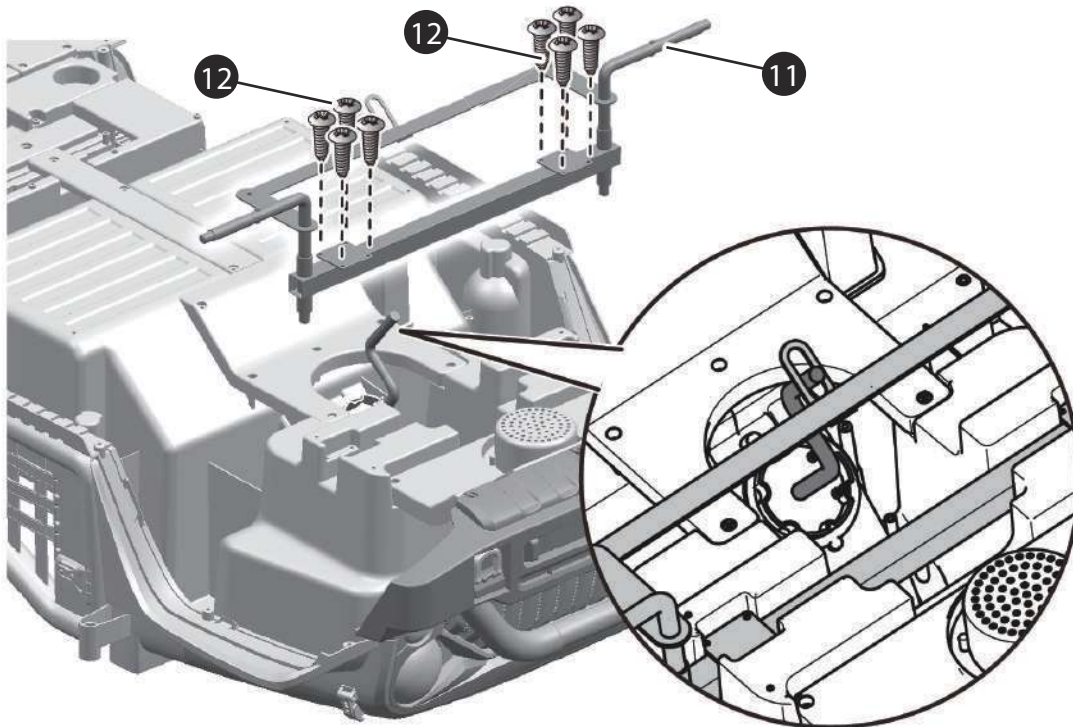
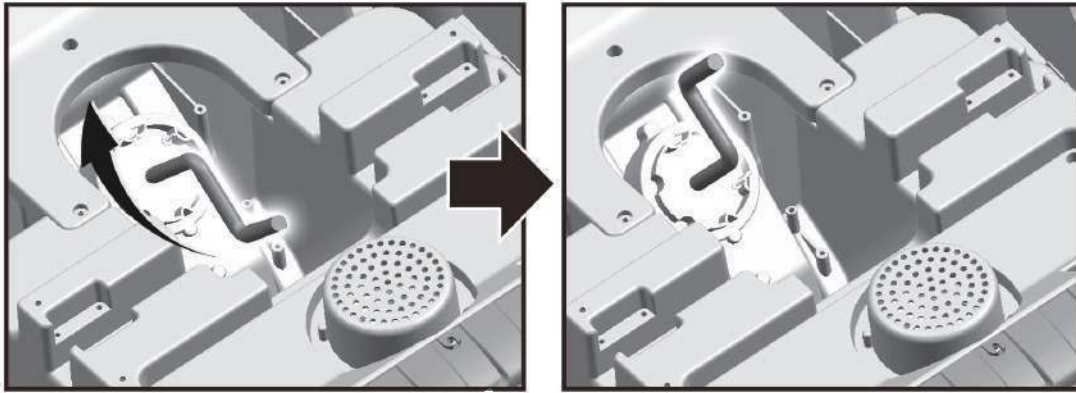


- Click the front fenders (23) to the front of the vehicle body and the rear fenders (24) to the rear of the vehicle body.
- Secure each front fender with three Ø4 x 12 screws (12).
- Secure each rear fender with four Ø4 x 12 screws (12).



Assembly Instruction

3

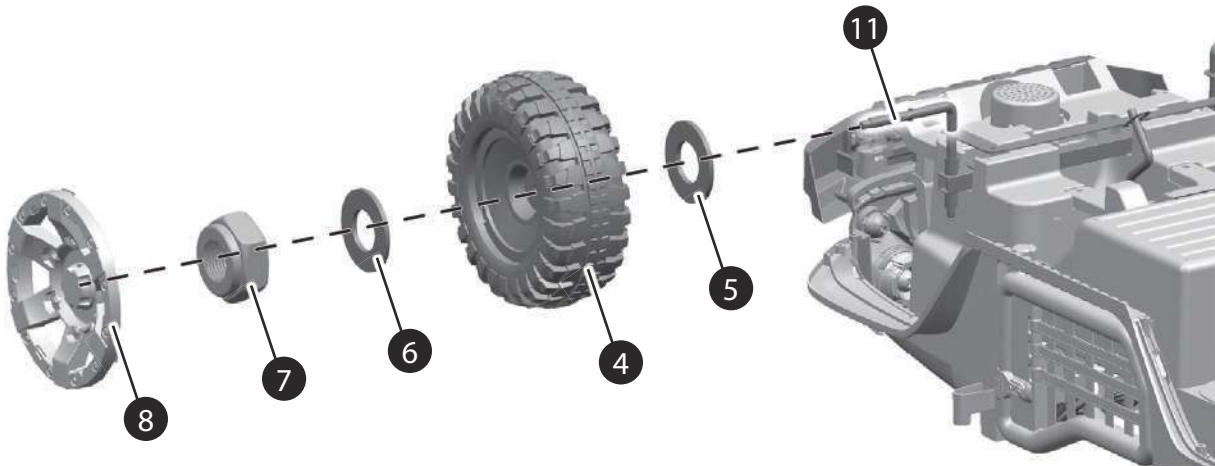


- Rotate and align the steering column on the vehicle body to the front axle linkage(11).
- Secure the front axle (11) on the vehicle body with eight $\text{\O}4 \times 12$ screws (12).

Assembly Instruction

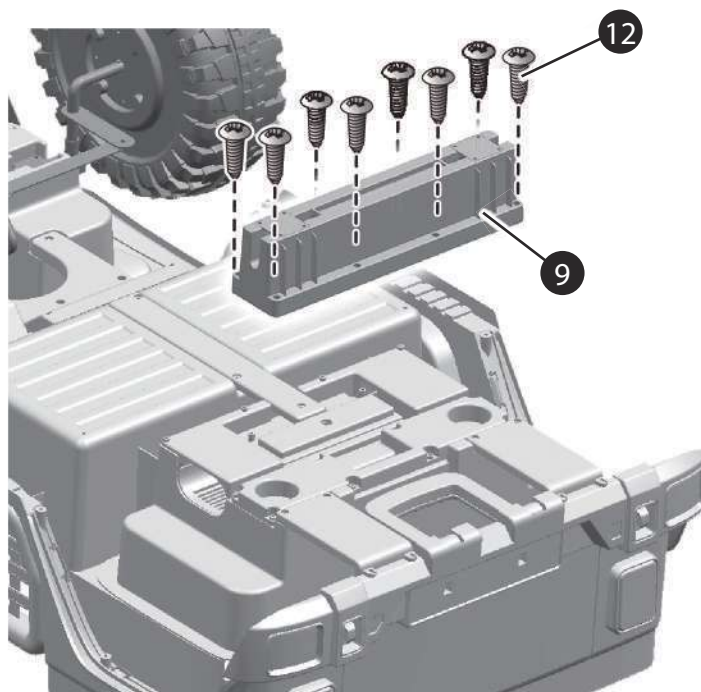


4



- Slide $\text{Ø}12$ washer (5), wheel (4), $\text{Ø}10$ washer (6) to the front axle (11).
- Secure the wheel in place with lock nut (7).
- Snap the wheel cover (8) to the wheel.
- Repeat the same step on the other side of the vehicle.

5

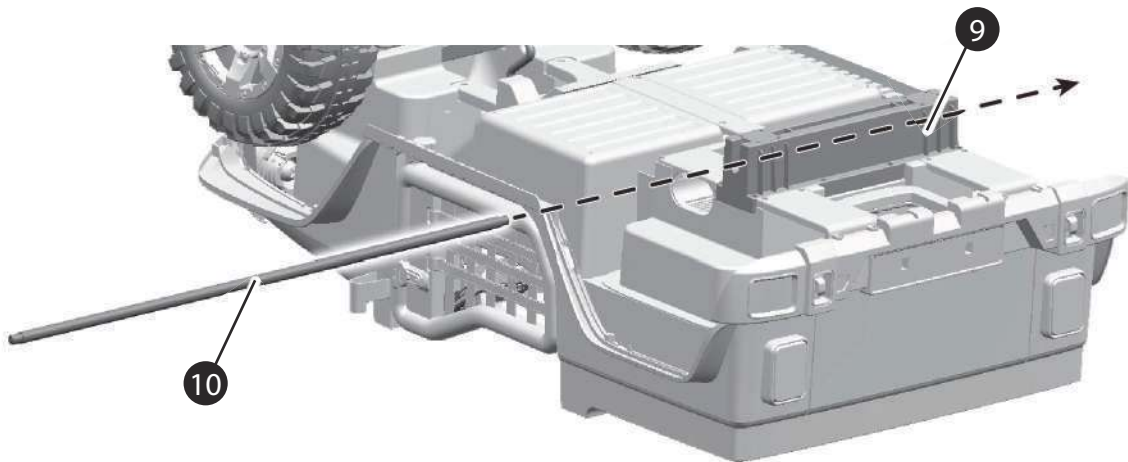


- Assemble the rear axle housing (9) to the vehicle body with eight $\text{Ø}4 \times 12$ screws (12).



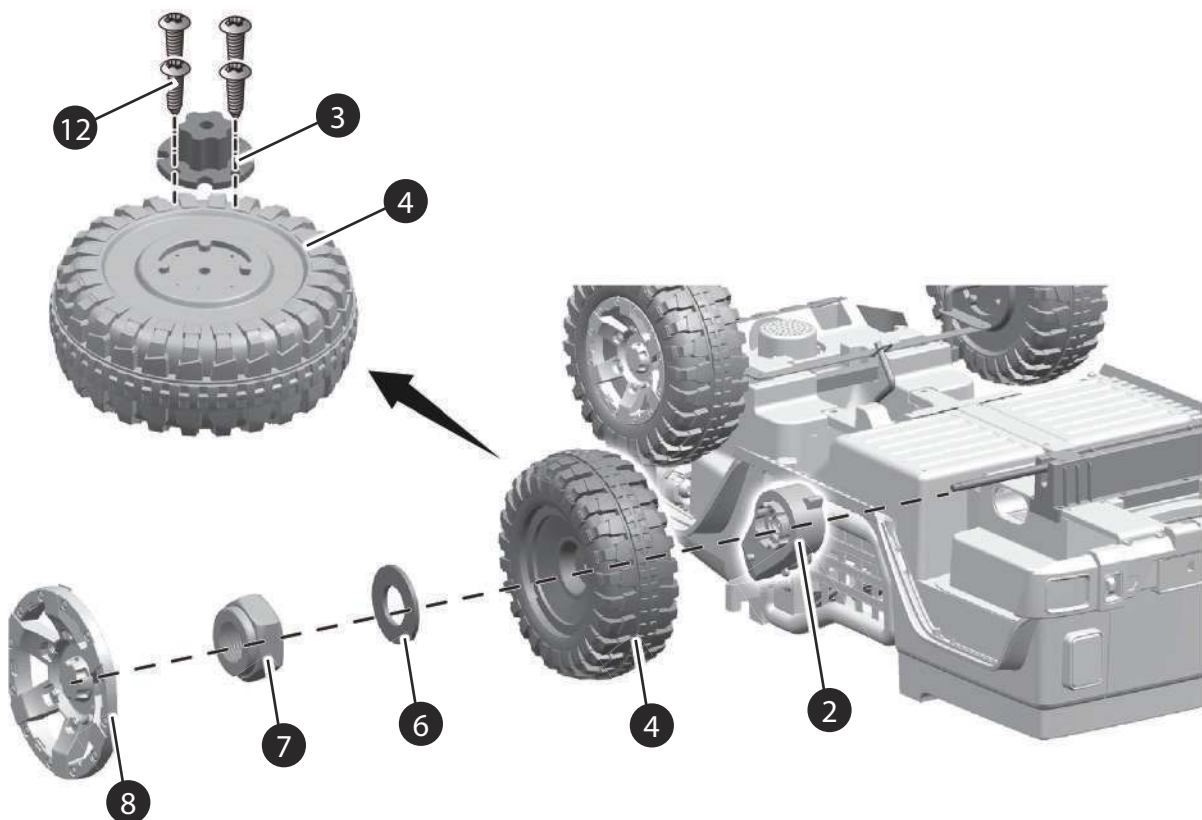
Assembly Instruction

6



- Insert the rear axle (10) into the rear axle housing (9).

7



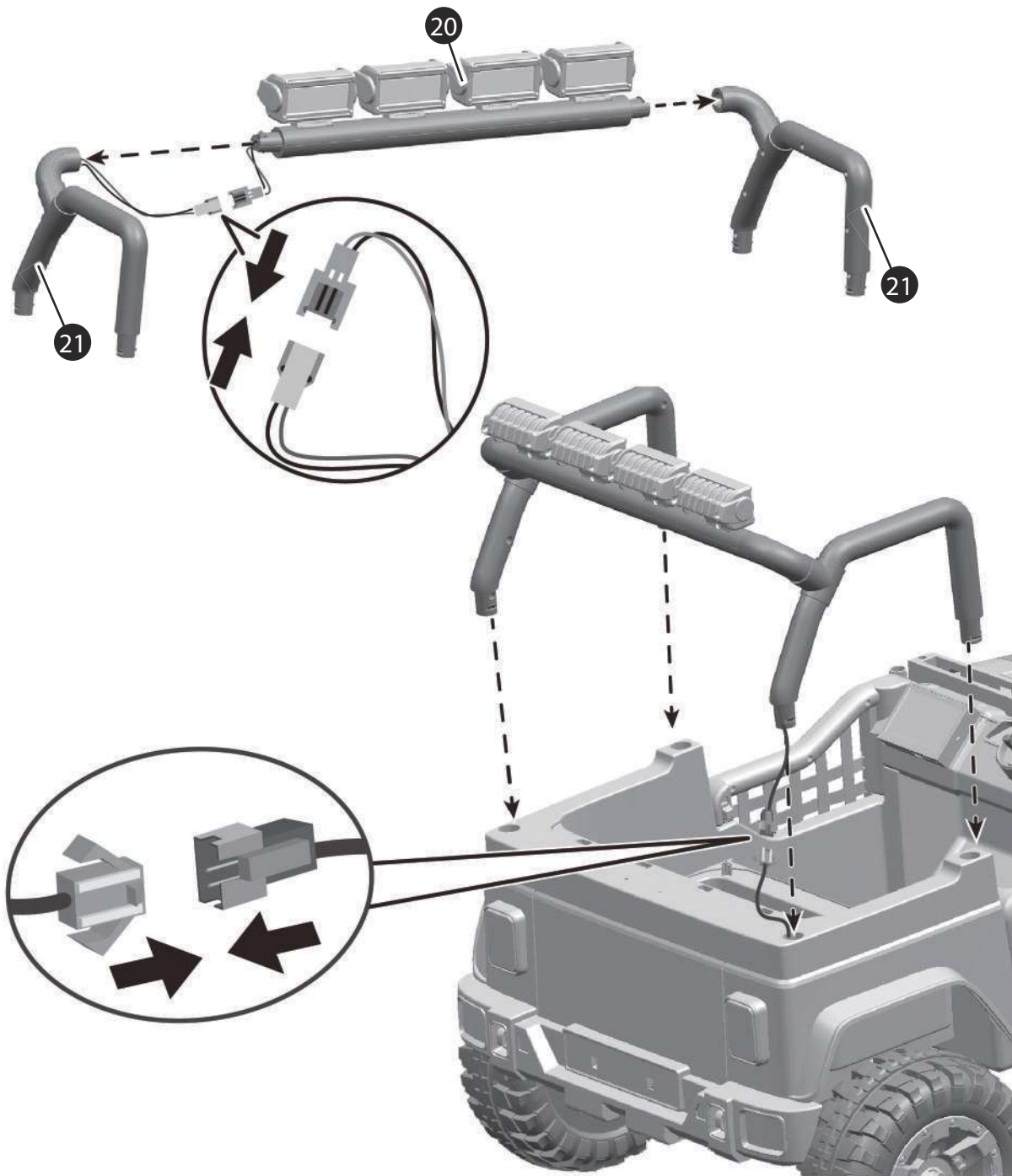
- Assemble the wheel hub (3) to the wheel (4) with four $\text{\O}4 \times 12$ screws (12).
- Slide the gear box (2), a wheel (4), a $\text{\O}10$ washer (6) to the rear axle.
- Tighten the wheel with lock nuts (7). Make sure to not over tighten and the wheel can rotate.
- Snap the wheel cover (8) to the wheel.
- Repeat the same step on the other side of the vehicle at the same time.

Note: In order to lock the left and right wheels, you need to tighten the two nuts (7) in opposite direction at the same time.

Assembly Instruction



8



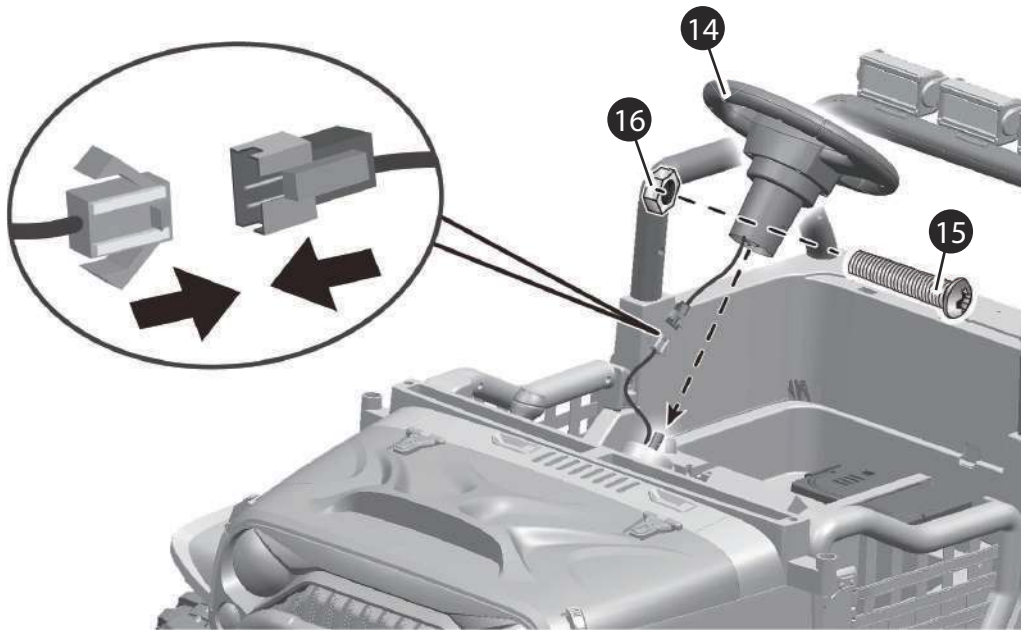
- Connect the cable from the light bar (20) to that in the right light bar support (21).
- Assemble the light bar between the light bar supports.
- Connect the cable from the right light bar support to that in the vehicle body.
- Attach the light bar assembly onto the vehicle body.

Attention: Be careful that not damage the cables when assembly.



Assembly Instruction

9



- Connect the cable from steering wheel (14) to that in the vehicle body.
- Insert the steering wheel to the steering column and secure in place with a M5 x 45 machine screw (15) and a Ø5 nut (16).

10

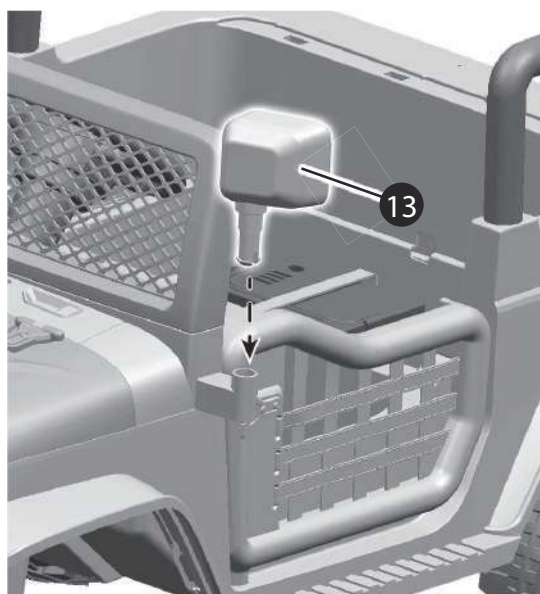


- Assemble the windshield (17) to the vehicle body.

Assembly Instruction



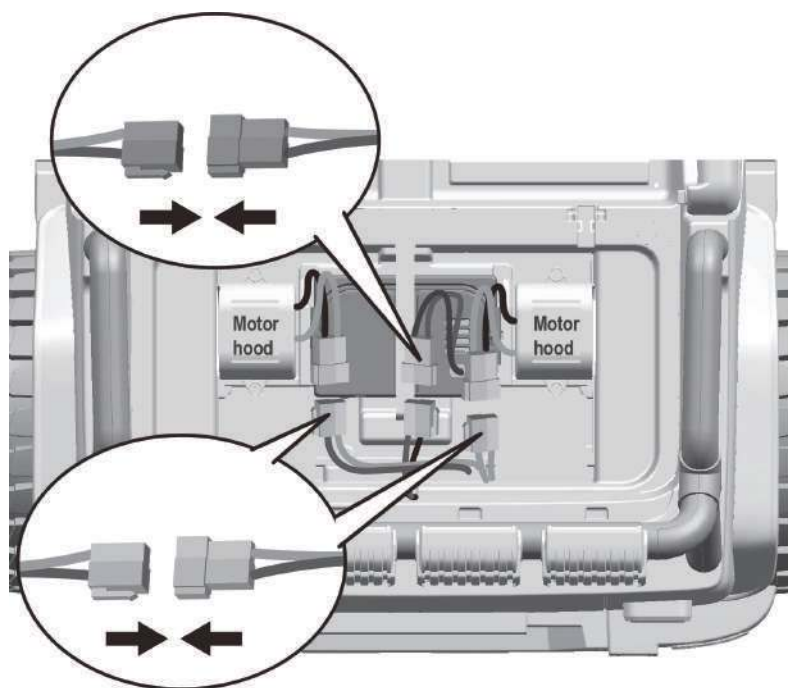
11



- Insert the side mirrors (13) to the vehicle body.

12

- Connect the cables on the seat well.
- Plug the red connector on the vehicle body into the red connector on the battery.
- Plug the two white connectors from the motor into the white connectors on both side of the vehicle body. **(Red to Red, White to White)**



ATTENTION

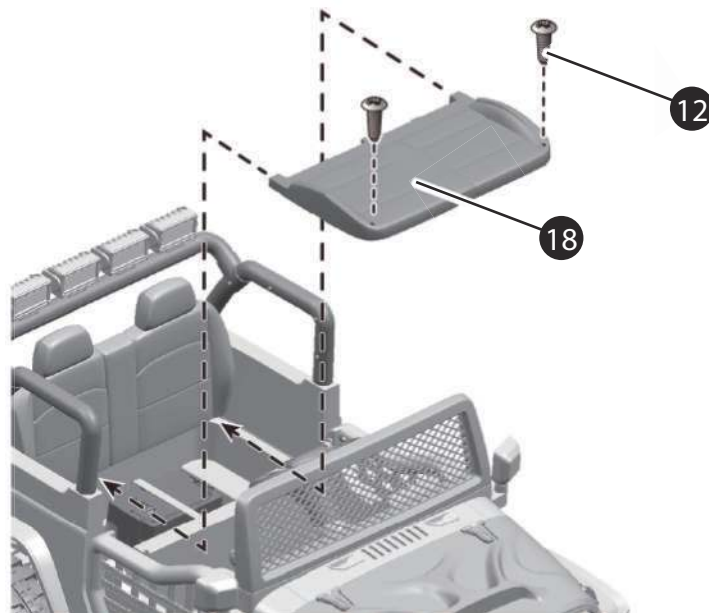


**This product is packed with the battery disconnected.
Connect the battery before use.**

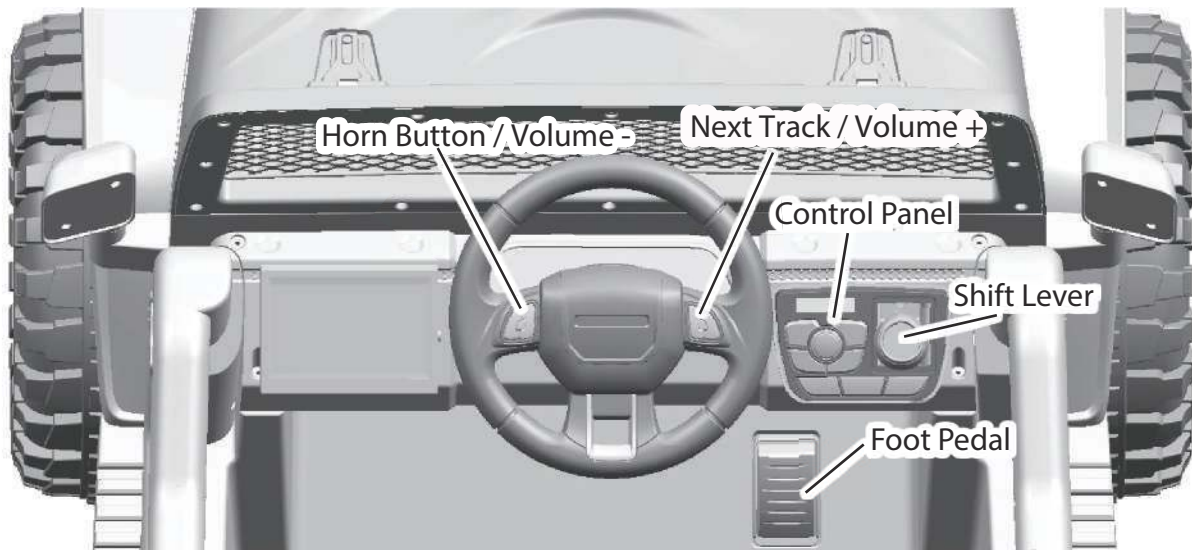


Assembly Instruction

13



- Align and insert the tabs on the backrest (19) to the vehicle body.
- Assemble the seat (18) to the vehicle body and secure in place with two $\text{Ø}4 \times 12$ screws (12).



Control the vehicle

Control Panel

Control the functions of the car. (See page 19 for detail instruction)

Shift Lever

Push / Pull the lever to choose the vehicle forward and backward direction.

CAUTION

**Do not change direction until the vehicle comes to a complete stop.
Sudden change in direction may result in permanent damage to the motor.**

Horn Button

Press the button to horn. Press and hold can be decrease the volume.

Right button

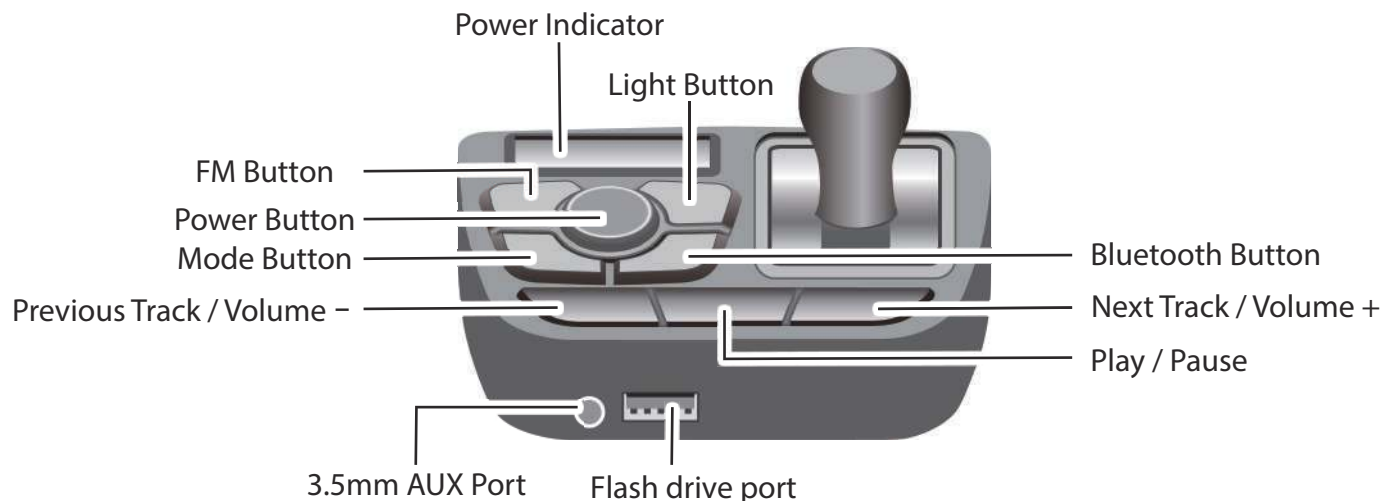
Press and hold to increase the volume, and can be cycle next track.

Foot Pedal

Press the foot pedal to move the vehicle, release the pedal to stop.



User's Instruction (Control Panel)



Control Panel

Power Button

Press the power button turn ON the vehicle.
Press and hold the power button for 3 seconds to turn OFF the vehicle.

FM Button

A shortcut button for quick FM radio mode access.
Press and hold the play button to search for radio station when the player in FM radio mode. After search completed, you can select the radio station by press the next track / previous track button.

Mode Button

Press the mode button to cycle through audio input from Flash drive port, Bluetooth wireless technology, FM radio and AUX port.

Bluetooth Button

Allow the vehicle to connect your device via bluetooth wireless technology (name: Kidzone Ride-on).

Bluetooth connection

To connect your mobile device to the vehicle, turn on the Bluetooth and select "Kidzone Ride-on". You can hear a voice message of connected successfully from vehicle after pairing. Music can be played from the vehicle speaker according to the user preferences. You can select the music or adjust the volume by your mobile device, you can also select / play / pause the music by press the Previous track / Next track / Play and Pause buttons on the control panel of vehicle.

Note: You need to select the bluetooth mode before connecting.

Next Track / Volume + Button

Press the button to select the next music track.
Press and hold the button to increase the volume.

Play / Pause Button

Press the play button to play or pause the music.

Previous Track / Volume - Button

Press the button to select the previous music track.
Press and hold the button to decrease the volume.

Light Button

Press the button to turn ON or OFF the light.

Flash drive port

Allow the vehicle to play MP3 format files from your Flash drive.

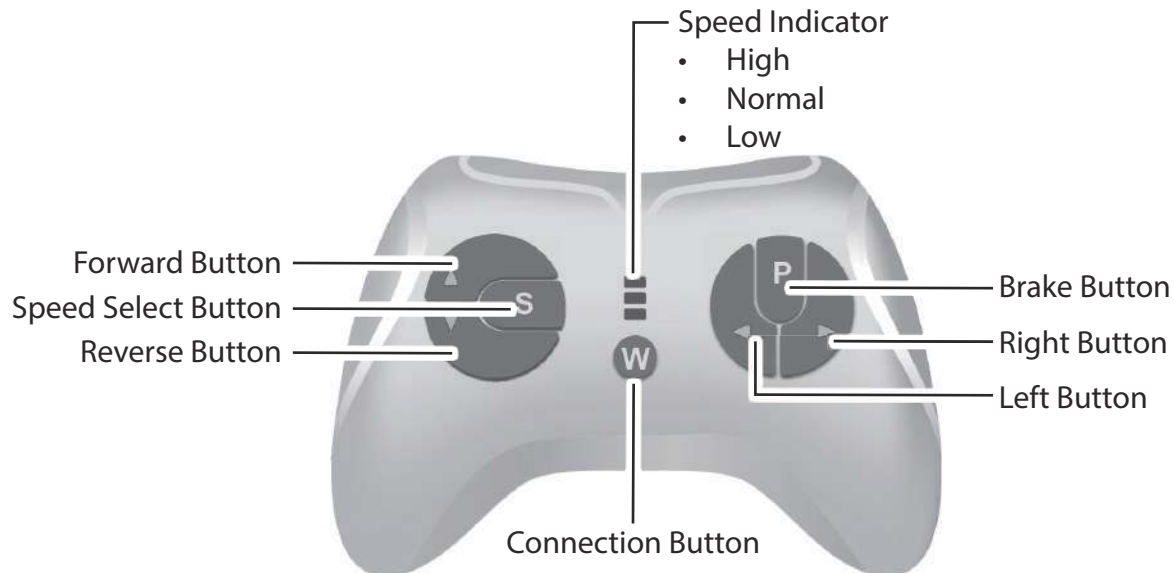
3.5mm AUX Port

Allow the vehicle to play MP3 format files from your device via AUX cable connection.

Power Indicator

Indicator shows the estimate power level of the battery.

User's Instruction (Remote Control)



Using the remote control

The remote control should only be used by an adult.

Pairing the remote control

The remote control needs pairing for the first time usage or after replacing the battery.

- Insert batteries into the remote control.
- Press the connection button for 3 seconds, the low speed indicator will flash.
- Turn on the power of the vehicle, the indicator should change to solid light.

If failed to pair, remove and replace the battery from the remote control and repeat the pairing steps.

Control the Vehicle

- Press the directional buttons to move the vehicle.
- Press the "P" button to enable emergency brake. All running function will be disabled once the button is pressed. Press the "P" button again to enable other functions.
- Press the "S" button to switch between high, normal and low speed

The remote control will go into power saving mode if not used after 10 seconds.

Changing the remote control battery

The remote control requires 2 AAA 1.5v batteries. (not included)

- Remove the cover on the back side of the remote control.
- Replace old batteries with 2 new AAA 1.5v batteries in correct polarity.
- Put the cover back in place and secure with the screw.

WARNING

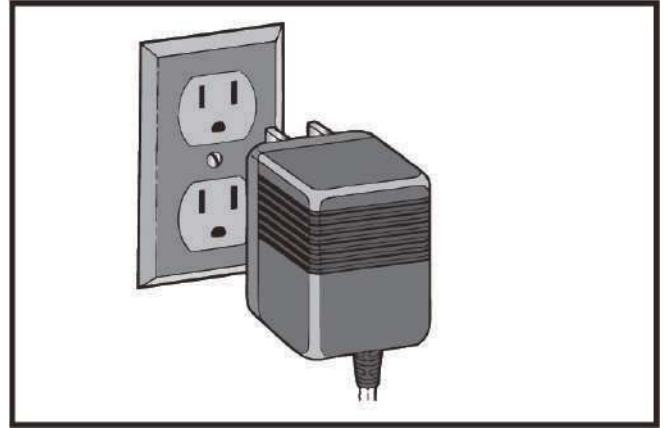
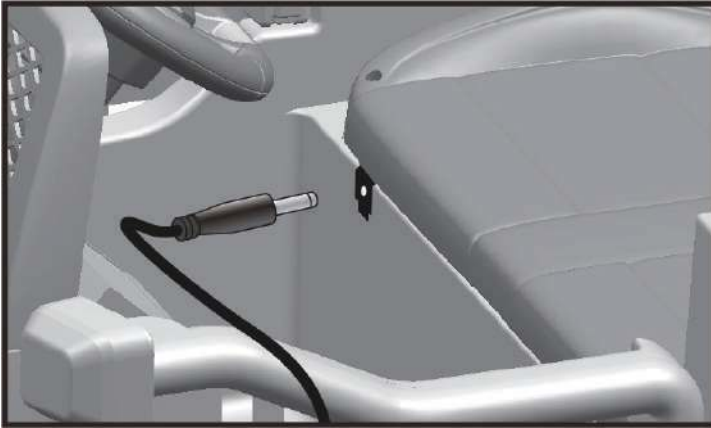
The battery should only be changed by an adult.

Do not mix old and new batteries.

Do not mix alkaline, carbon-zinc, or rechargeable batteries.



User's Instruction (Charging)



WARNING

The battery should only be charged by an adult.

Charging the battery

1. Connect the charger to the charging port.
 2. Plug the charger into a wall outlet. The battery will start charging.
- The vehicle must be OFF when charging.
 - The indicator on charger turn red when charging, and turn green after charging completed.
 - Recharge the battery if the vehicle operates slowly.
 - DO NOT operate the vehicle when charging.

NOTE:

- Charge the battery for 4 - 6 hours before the initial use.
- Damage to the battery may occur if it is completely drained.
- Charge the battery for about 8 - 12 hours.
- Do not charge the battery for more than 20 hours.
- **Charge the battery at least once a month even if not operating the vehicle for a long time to maximize the battery life.**
- Do not charge or store the battery upside down.
- Keep the charger and battery away from flames, sparks, or any flammables.

Care and Maintenance



- Check the product regularly and make sure there is no missing or loose parts. Re-tighten any loose parts if necessary.
- Make sure there is no cracked or broken plastic parts.
- Store the product away from heat source when not using, cover it with a tarp and away from wet weather.
- Turn off the product and disconnect the battery if the product is not use for a long period of time.
- Clean the vehicle with a cloth. Use a non-wax furniture polish to restore shine to plastic parts. Do not use abrasive cleaner.
- Do not wash the product with a hose or immerse any parts in water or other liquid.
- Occasionally use lightweight oil to lubricate moving parts.
- Regularly charge the battery to prolong the battery life.
- Do not store the product near heat source, such as stoves and heaters or direct sunlight. Plastic parts may melt under high temperature.

Fuse

The battery features a thermal fuse with a reset fuse that will automatically trip and cut off all power to the vehicle if the motor, electric system or battery is overloaded. The fuse will reset and power will be restored after the product is turned OFF for 20 seconds and then turned ON again. If the thermal fuse trips repeatedly during normal use, the vehicle may need repairing.

To avoid tripping the fuse:

- Do not overload the vehicle.
- Do not tow anything behind the vehicle.
- Do not drive on steep slopes.
- Do not drive into fixed obstacle, which may cause the wheels to spin and overheat the motor.
- Do not operate in hot weather to prevent overheating.
- Do not allow water or other liquids to come in contact with the battery or other electric components.
- Do not tamper with the electric system.

WARNING

RISK OF FIRE. Do not bypass the fuse. Replace only with original size and type.

Troubleshooting



Problem	Possible Reason	Solution
Vehicle does not move	Low Battery	Fully charge the battery
	Fuse Protection	Fuse will reset automatically in about 20 seconds
	Disconnected / Badly connected battery	Reconnect the battery
	Failed battery / engine	Contact Customer Service
Vehicle does not run very long	Low Battery	Fully charge the battery
	Old / Damaged Battery	Replace battery if necessary
Vehicle runs very slow	Low Battery	Fully charge the battery
	Old Battery	Replace battery if necessary
	Vehicle is overloaded	Make sure user's weight is under 110 lb / 50 kg
	Vehicle is being used in harsh environment	Avoid using the vehicle in harsh environment

Troubleshooting



Problem	Possible Reason	Solution
Vehicle needs a push to go forward	Poor wire connection	Check if the battery connectors are firmly connected. Contact Customer service if necessary
	“Dead spot” on motor	Contact customer service
Loud grinding sound or clicking sound from the motor or gear box	Damaged motor or gear box	Contact customer service
Battery does not charge	Disconnected / Badly connected battery	Reconnect the battery
	Disconnected / Badly connected charger	Make sure the charger is firmly plugged into the power source and connected to the charging port
	Charger not working	Contact customer service
Vehicle does not stop	Damaged equipment	Contact customer service
Charger feels warm with charging	Normal	N/A

Limited Term Warranty (One Year from Date of Purchase)

WARRANTY TERMS

KIDZONE warrants that its merchandise are free from manufacturing defects (workmanship and/or material) and will either give credit or replace defective parts for a period of up to one (1) year from the date of purchase in accordance with the conditions set forth below. If a manufacturing defect is found, KIDZONE should be notified promptly of the defect and supplied a copy of the invoice and delivery ticket. Inspection by a KIDZONE employee or representative may be necessary to verify that a manufacturing defect exists, or you may be required to submit samples to KIDZONE along with a digital image of the defects. If replacement is required in accordance with this warranty and the defective material or merchandise has been discontinued or unavailable, KIDZONE reserves the right to select and supply similar merchandise or offer full credit for the merchandise; otherwise the same material or merchandise will be supplied for replacement purposes. This warranty is made solely to the retailer and is not transferable under any circumstances. It is the retailer's responsibility to contact KIDZONE with a claim. We will not handle claims from consumers directly; all requests must go through the retailer who sold the merchandise to the consumer. We advise all retailers to retain invoices for a minimum of one (1) year for warranty purposes. This warranty supersedes and replaces all implied warranties of merchantability and use for particular purpose. No representative, employee, agent or any other person is authorized to assume for KIDZONE any additional liability or responsibility in connection with KIDZONE's merchandise except as described above. Implied warranties or merchantability and fitness of the merchandise are limited to a period of one (1) year from the date of purchase. In no event shall KIDZONE be liable for indirect, consequential or incidental damages of any kind.

ADDITIONAL CONDITIONS

THE FOLLOWING EXAMPLES ARE NOT MANUFACTURER'S DEFECTS:

- Colors may vary slightly from the photo because of photography and printing tolerances.
- Sizes stated in U.S. standard measurements may vary slightly due to product are manufactured using the metric system.
- No returns for buyer's remorse.
- No returns - other than stated above will be accepted.

ADDITIONAL CONDITIONS

WARRANT IS VOID FOR ANY OF THE FOLLOWING CONDITIONS:

1. Improper maintenance or improper use resulting in damage.
2. Any product modifications by dealer, consumer, or other parties not authorized by KIDZONE will void this warranty.
3. Floor samples sold or products designated "AS IS" at the time of purchase are not covered by the warranty
4. Warranty does not cover minor variations or differences between floor samples or printed illustrations and your product.
5. Cost of packaging and shipping to and from KIDZONE is not covered by the warranty unless expressly arranged by KIDZONE.
6. This warranty covers only articles of appliances intended for residential use only, does not cover any industrial, commercial, institutional or Rental use.
7. Dissatisfaction due to buyer's remorse.
8. Normal wear and tear.
9. Damages incurred during transportation.
10. Damages incurred during assembling or maintenance.
11. Damage incurred by accidents or abuse.

Model: 060-ROT-05

This device complies with part 15 of the FCC rules. Operation is subject to the following two conditions:

- (1) This device may not cause harmful interference, and
- (2) this device must accept any interference received, including interference that may cause undesired operation.

NOTE: This equipment has been tested and found to comply with the limits for a Class B digital device, pursuant to Part 15 of the FCC Rules. These limits are designed to provide reasonable protection against harmful interference in a residential installation. This equipment generates, uses and can radiate radio frequency energy and, if not installed and used in accordance with the instructions, may cause harmful interference to radio communications. However, there is no guarantee that interference will not occur in a particular installation. If this equipment does cause harmful interference to radio or television reception, which can be determined by turning the equipment off and on, the user is encouraged to try to correct the interference by one or more of the following measures:

- Reorient or relocate the receiving antenna.
- Increase the separation between the equipment and receiver.
- Connect the equipment into an outlet on a circuit different from that to which the receiver is connected.
- Consult the dealer or an experienced radio/TV technician for help.

Caution: Changes or modifications not expressly approved by the party responsible for compliance could void the user's authority to operate the equipment.

This Product conforms to toy safety standards CPSIA and ASTM-F963.

Importer: Align Inc.

Importer Address: City of Industry, CA 91748 United States

Importer Tel: 1-800-946-6151



© All copyright of this document belongs to KIDZONE.
This document may not be printed, translated, reproduced, or distributed in whole or in part without written permission from KIDZONE.



kidzone[®]

www.kidzonetoy.com

