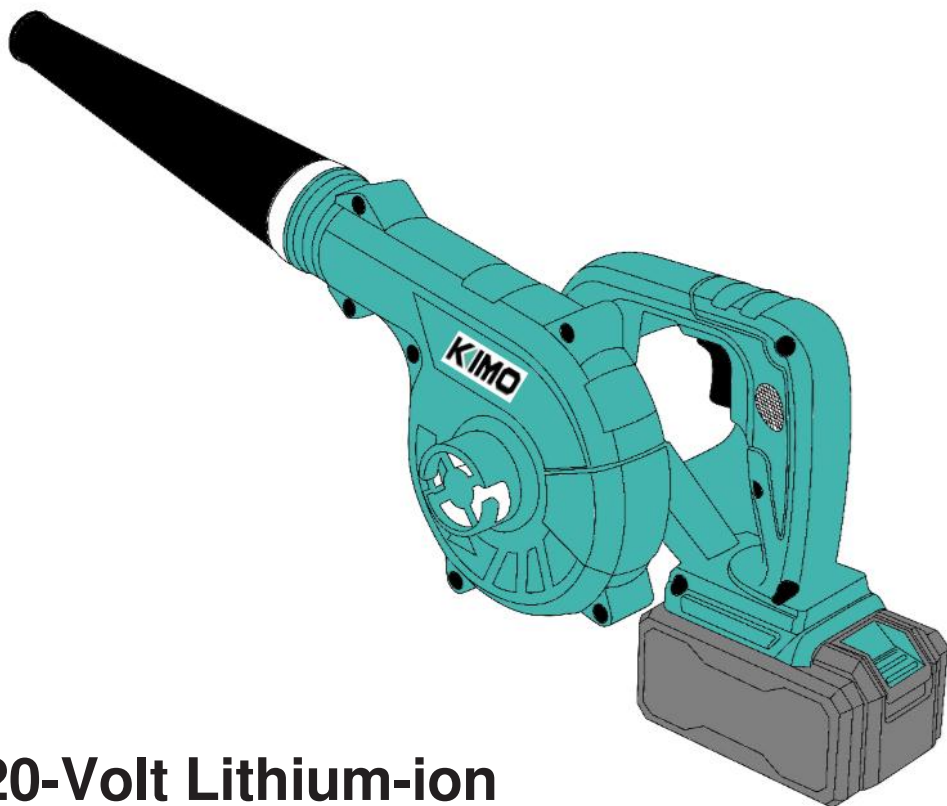


INSTRUCTION MANUAL

KIMO



20-Volt Lithium-ion Cordless Leaf Blower 2-in-1 Sweeper/Vacuum

Kimo-support@kimotools.com

Catalog Number: QM-6001

IMPORTANT: Read Before Using

SPECIFICATIONS

MODEL	6001
Voltage	20 V
Charge Time	1-1.5 Hours
Battery Capacity	2.0 A/h / 4.0 A/h
No Load Speed	0-20000 rpm
G.W./N.W.	4.8 lbs / 4.4 lbs (2.2kg / 2.0kg)
Measurement	17.5×12×11 inches

- Due to our continuing program of research and development, the specifications herein are subject to change without notice.
- Specifications may differ from country to country.
- The weight may differ depending on the attachment(s), including the battery cartridge. The lightest and heaviest combination, according to EPTA-Procedure 01/2014, are shown in the table.

⚠ WARNING: Only use the battery cartridges and chargers listed above. Use of any other battery cartridges and chargers may cause injury and/or fire.

**If you have questions or comments, contact us.
Kimo-support@kimotools.com**

SAFETY WARNINGS

General power tool safety warnings

WARNING: Read all safety warnings and all instructions. Failure to follow the warnings and instructions may result in electric shock, fire and/or serious injury.

Save all warnings and instructions for future reference.

The term "power tool" in the warnings refers to your mains-operated (corded) power tool or battery-operated (cordless) power tool.

Work area safety

1. **Keep work area clean and well lit.** Cluttered or dark areas invite accidents.
2. **Do not operate power tools in explosive atmospheres, such as in the presence of flammable liquids, gases or dust.** Power tools create sparks which may ignite the dust or fumes.
3. **Keep children and bystanders away while operating a power tool.** Distractions can cause you to lose control.

Electrical Safety

1. **Power tool plugs must match the outlet. Never modify the plug in any way. Do not use any adapter plugs with earthed (grounded) power tools.** Unmodified plugs and matching outlets will reduce risk of electric shock.
2. **Avoid body contact with earthed or grounded surfaces, such as pipes, radiators, ranges and refrigerators.** There is an increased risk of electric shock if your body is earthed or grounded.
3. **Do not expose power tools to rain or wet conditions.** Water entering a power tool will increase the risk of electric shock.
4. **Do not abuse the cord. Never use the cord for carrying, pulling or unplugging the power tool. Keep cord away from heat, oil, sharp edges or moving parts.** Damaged or entangled cords increase the risk of electric shock.
5. **When operating a power tool outdoors, use an extension cord suitable for outdoor use.** Use of a cord suitable for outdoor use reduces the risk of electric shock.
6. **If operating a power tool in a damp location is unavoidable, use a ground fault circuit interrupter (GFCI) protected supply.** Use of a GFCI reduces the risk of electric shock.

Personal Safety

1. **Stay alert, watch what you are doing and use common sense when operating a power tool. Do not use a power tool while you are tired or under the influence of drugs, alcohol or medication.** A moment of inattention while operating power tools may result in serious personal injury.
2. **Use personal protective equipment. Always wear eye protection.** Protective equipment such as a dust mask, non-skid safety shoes, hard hat or hearing protection used for appropriate conditions will reduce personal injuries.
3. **Prevent unintentional starting. Ensure the switch is in the off-position before connecting to power source and/or battery pack, picking up or carrying the tool.** Carrying power tools with your finger on the switch or energizing power tools that have the switch on invites accidents.
4. **Remove any adjusting key or wrench before turning the power tool on.** A wrench or a key left attached to a rotating part of the power tool may result in personal injury.
5. **Do not overreach. Keep proper footing and balance at all times.** This enables better control of the power tool in unexpected situations.
6. **Dress properly. Do not wear loose clothing or jewellery. Keep your hair, clothing, and gloves away from moving parts.** Loose clothes, jewellery or long hair can be caught in moving parts.
7. **If devices are provided for the connection of dust extraction and collection facilities, ensure these are connected and properly used.** Use of dust collection can reduce dust-related hazards.

Power tool use and care

1. **Do not force the power tool. Use the correct power tool for your application.** The correct power tool will do the job better and safer at the rate for which it was designed.
2. **Do not use the power tool if the switch does not turn it on and off.** Any power tool that cannot be controlled with the switch is dangerous and must be repaired.
3. **Disconnect the plug from the power source and/or the battery pack from the power tool before making any adjustments, changing accessories, or storing power tools.** Such preventive safety measures reduce the risk of starting the power tool accidentally.
4. **Store idle power tools out of the reach of children and do not allow persons unfamiliar with the power tool or these instructions to operate the power tool.** Power tools are dangerous in the hands of untrained

users.

5. **Maintain power tools. Check for misalignment or binding of moving parts, breakage of parts and any other condition that may affect the power tool's operation. If damaged, have the power tool repaired before use.** Many accidents are caused by poorly maintained power tools.
6. **Keep cutting tools sharp and clean.** Properly maintained cutting tools with sharp cutting edges are less likely to bind and are easier to control.
7. **Use the power tool, accessories and tool bits etc. in accordance with these instructions, taking into account the working conditions and the work to be performed.** Use of the power tool for operations different from those intended could result in a hazardous situation.

Battery tool use and care

1. **Recharge only with the charger specified by the manufacturer.** A charger that is suitable for one type of battery pack may create a risk of fire when used with another battery pack.
2. **Use power tools only with specifically designated battery packs.** Use of any other battery packs may create a risk of injury and fire.
3. **When battery pack is not in use, keep it away from other metal objects, like paper clips, coins, keys, nails, screws or other small metal objects, that can make a connection from one terminal to another.** Shorting the battery terminals together may cause burns or a fire.
4. **Under abusive conditions, liquid may be ejected from the battery; avoid contact. If contact accidentally occurs, flush with water. If liquid contacts eyes, additionally seek medical help.** Liquid ejected from the battery may cause irritation or burns.
5. **Do not use a battery pack or tool that is damaged or modified. Damaged or modified batteries may exhibit unpredictable behaviour resulting in fire, explosion or risk of injury.**
6. **Do not expose a battery pack or tool to fire or excessive temperature. Exposure to fire or temperature above 130 °C may cause explosion.**
7. **Follow all charging instructions and do not charge the battery pack or tool outside the temperature range specified in the instructions.** Charging improperly or at temperatures outside the specified range may damage the battery and increase the risk of fire.

Service

1. **Have your power tool serviced by a qualified repair person using only identical replacement parts.** This will ensure that the safety of the power tool is maintained.
2. **Follow instruction for lubricating and changing accessories.**
3. **Keep handles dry, clean and free from oil and grease.**
4. **Do not modify or attempt to repair the appliance or the battery pack except as indicated in the instructions for use and care.**

Important safety instructions for battery cartridge

1. **Before using battery cartridge, read all instructions and cautionary markings on (1) battery charger, (2) battery, and (3) product using battery.**
2. **Do not disassemble battery cartridge.**
3. **If operating time has become excessively shorter, stop operating immediately. It may result in a risk of overheating, possible burns and even an explosion.**
4. **If electrolyte gets into your eyes, rinse them out with clear water and seek medical attention right away. It may result in loss of your eyesight.**
5. **Do not short the battery cartridge:**
 - (1) **Do not touch the terminals with any conductive material.**
 - (2) **Avoid storing battery cartridge in a container with other metal objects such as nails, coins, etc.**
 - (3) **Do not expose battery cartridge to water or rain.****A battery short can cause a large current flow, overheating, possible burns and even a breakdown.**
6. **Do not store the tool and battery cartridge in locations where the temperature may reach or exceed 50 °C (122 °F).**
7. **Do not incinerate the battery cartridge even if it is severely damaged or is completely worn out. The battery cartridge can explode in a fire.**
8. **Be careful not to drop or strike battery.**
9. **Do not use a damaged battery.**
10. **The contained lithium-ion batteries are subject to the Dangerous Goods Legislation requirements.**

For commercial transports e.g. by third parties, forwarding agents, special requirement on pack-aging and labeling must be observed.

For preparation of the item being shipped, consulting an expert for hazardous material is required. Please also observe possibly more detailed national regulations.

Tape or mask off open contacts and pack up the battery in such a manner that it cannot move around in the packaging.

11. **Follow your local regulations relating to disposal of battery.**
12. **Use the batteries only with the products specified by KIMO. Installing the batteries to non-compliant products may result in a fire, excessive heat, explosion, or leak of electrolyte.**

SAVE THESE INSTRUCTIONS

CAUTION: Only use genuine KIMO batteries. Use of non-genuine KIMO batteries, or batteries that have been altered, may result in the battery bursting causing fires, personal injury and damage. It will also void the KIMO warranty for the KIMO tool and charger.

Tips for maintaining maximum battery life

1. Charge the battery cartridge before completely discharged. Always stop tool operation and charge the battery cartridge when you notice less tool power.
2. Never recharge a fully charged battery cartridge. Overcharging shortens the battery service life.
3. Charge the battery cartridge with room temperature at 10 °C - 40 °C (50 °F - 104 °F). Let a hot battery cartridge cool down before charging it.
4. Charge the battery cartridge if you do not use it for a long period (more than six months).

Tool/ battery protection system

The tool is equipped with a tool/battery protection system. This system automatically cuts off power to the motor to extend tool and battery life. The tool will automatically stop during operation if the tool or battery is placed under one of the following conditions:

Overload protection

When the battery is operated in a manner that causes it to draw an abnormally high current, the tool stops automatically. In this situation, turn the tool off and stop the application that caused the tool to become overloaded. Then turn the tool on to restart.

Overheat protection

When the tool/battery is overheated, the tool stops automatically. In this situation, let the tool/battery cool before turning the tool on again.

Overdischarge protection

When the battery capacity is not enough, the tool stops automatically. In this case, remove the battery from the tool and charge the battery.

Indicating the remaining battery

Battery pack LED indicator

KIMO battery packs include a fuel gauge which consists of four LED lights that indicate the level of charge remaining in the battery pack. The fuel gauge is an indication of approximate levels of charge remaining in the battery pack according to the following indicators:

Remaining Capacity	Indicator Lights	
≤20%	○ ○ ○ ○	Red Light Flashing
20%-40%	● ○ ○ ○	Red Light ON
40%-60%	● ● ○ ○	Red & Yellow Lights ON
60%-80%	● ● ● ○	Red & Yellow & Green Lights ON
80%-100%	● ● ● ●	All Lights ON

NOTE: 1. Tap the battery indicator button to indicate the remaining battery capacity and automatically turn off after 5 seconds. 2. When charging, 4 LED Lights blink in sequence, and the LED lights are completely off after being fully charged.

Charging Indicator

Red Indicator	Green Indicator	Battery Pack	Status
ON	OFF	Charging	Charging
OFF	ON	Charged	Charged
OFF	OFF	Short Circuited	Short Circuited

Installing and Removing the Battery Pack From the Tool

WARNING: Make certain the lock-off button is engaged to prevent switch actuation before removing or installing battery.



1. 20V Battery Pack

2. Tool-Battery Connection

3. Battery Slide Button

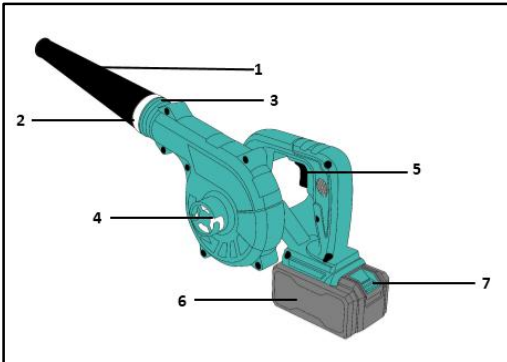
To install battery pack: Insert battery pack(1) into tool(2) until an audible click is heard as shown in picture. Make sure battery pack is fully seated and fully latched into position.

To remove battery pack: Depress the battery slide button(3) as shown in picture and pull battery pack out of tool.

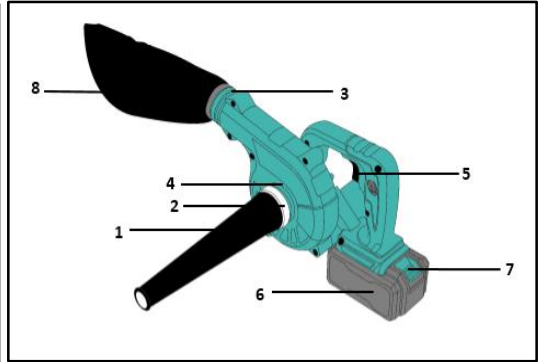
TOOL COMPONENTS

1. Blow Tube
2. White Ring
3. Air Outlet
4. Air Inlet

5. Trigger Switch
6. KIMO 20V Battery
7. Battery Slide Button
8. Reusable Collection Bag



Blower Function



Vacuum Function

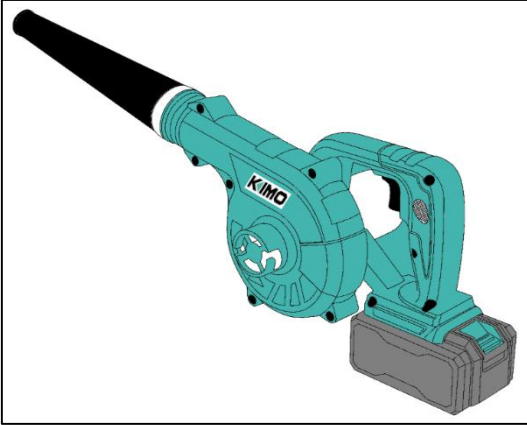
ACCESSORIES

1. KIMO Cordless Leaf Blower (2-in-1 Sweeper/Vacuum)
2. Blow Tube & White Ring

3. KIMO Charger
4. KIMO 20V Battery
5. 2 × Reusable Collection Bag

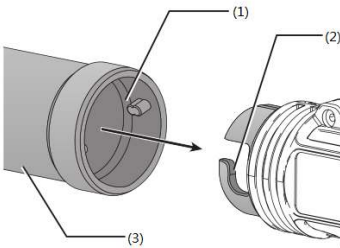
INSTALLATION AND OPERATION

INSTALLING AND OPERATION FOR BLOWER FUNCTION



1. Connect the blow tube to the blower air outlet:

Line up the pegs(1) on the inside of the blow tube(3) with the notches(2) of the housing opening as shown in below picture, make sure the installation is firm.



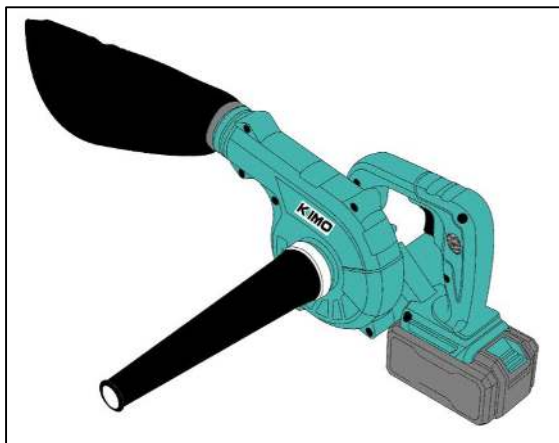
(1) Pegs of White Ring (2) Notches of Air Outlet (3) Blow Tube

2. Install the battery to the blower:

Insert battery pack into tool until an audible click is heard as shown in picture. Make sure battery pack is fully seated and fully latched into position.

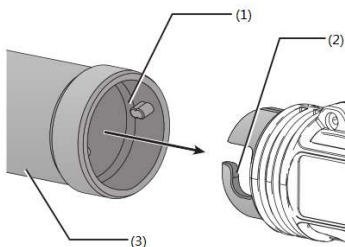
3. Press the trigger switch to start blowing and control the blower power.

INSTALLING AND OPERATION FOR VACUUM FUNCTION



1. Connect the blow tube to the air inlet:

Line up the pegs(1) on the inside of the blow tube(3) with the notches(2) of the housing opening as shown in below picture, make sure the installation is firm.



(1) Pegs of White Ring (2) Notches of Air Inlet (3) Blow Tube

2. Connect the collection bag to the air outlet, make sure the installation is firm.

3. Install the battery to the blower:

Insert battery pack into tool until an audible click is heard as shown in picture. Make sure battery pack is fully seated and fully latched into position.

4. Press the trigger switch to start sucking dust and control the vacuum power.

WARRANTY

Every KIMO power tool is warranted to the original purchaser only to be free from defects in material and workmanship. Subject to certain exceptions, KIMO will replace any part on an electric power tool that is defective in material or workmanship for a period of 2 years after the date of purchase unless otherwise noted. This warranty does not apply to damage from repairs made or attempted by anyone other than KIMO, misuse, alterations, abuse, normal wear and tear, lack of maintenance, or accidents.

Normal Wear: Many power tools need periodic parts replacement and service to achieve best performance. This warranty does not cover repair when normal use has exhausted the life of a part including, but not limited to, chucks, brushes, cords, saw shoes, blade clamps, o-rings, seals and driver blades.

Warranty Registration is not necessary to obtain the applicable warranty on a KIMO power tool product.

This warranty applies to product sold in the U.S.A. only.

**If you have questions or comments, contact us.
Kimo-support@kimotools.com**