








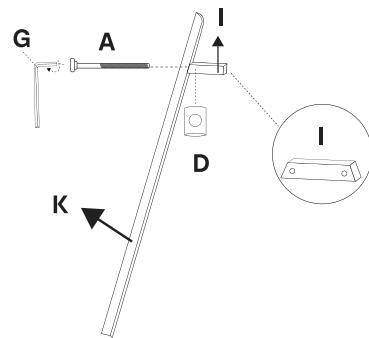
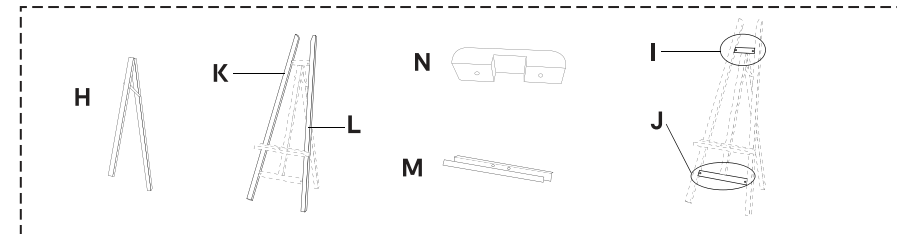
# Studio Easel 161cm

## Instruction Manual

### Hardware list

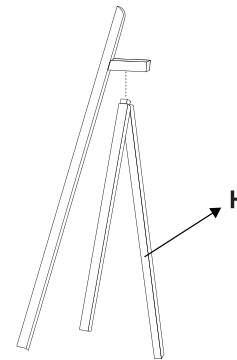
<b>A</b>		Bolts 4 pcs Dia0.6x6.5cm	<b>E</b>		Wing nuts 3 pcs
<b>B</b>		Bolts 2 pcs Dia0.5x6cm	<b>F</b>		Washers 3 pcs Outer dia 1.4cm Inner dia 0.6cm
<b>C</b>		Bolts 1 pc Dia0.5x7 cm	<b>G</b>		Allen key 1 pc
<b>D</b>		Cams 4 pcs			

### Components



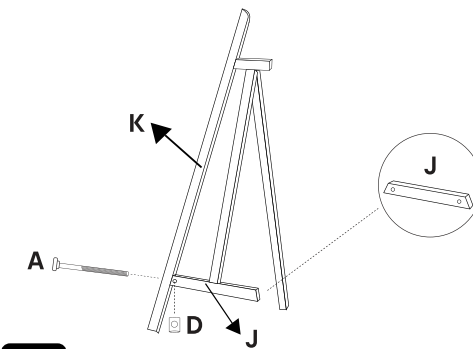
#### Step1

Assemble part K and I, using bolt A, washer and cam. Do not tighten the bolt at this moment.



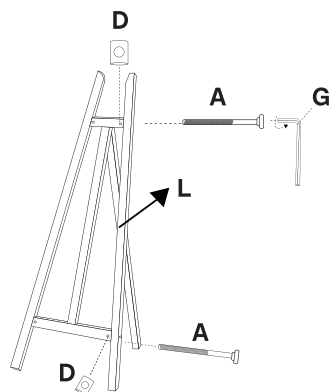
#### Step2

Fit part H into assembled unit as shown.



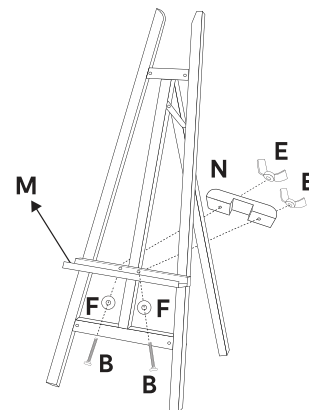
#### Step3

Fit part J into assembled unit as shown. Secure part K and J, using bolt A, washer and cam. Do not tighten bolt at this moment.



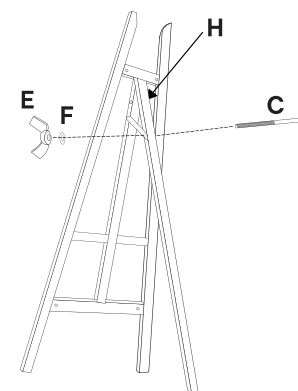
#### Step4

Fit part L into assembled unit as shown. Secure using bolts A, washers and cams. Now tighten all bolts using allen key.



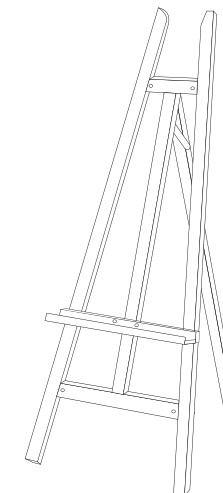
#### Step5

Attach the canvas support M and N to the assembled unit as shown. Secure using bolts B, washers and wing nuts, but do not over tighten the bolts.



#### Step5

Secure support H, using bolt C, washer and wing nut, but do not over tighten the bolt. Assembly is now complete.



Studio Easel.