

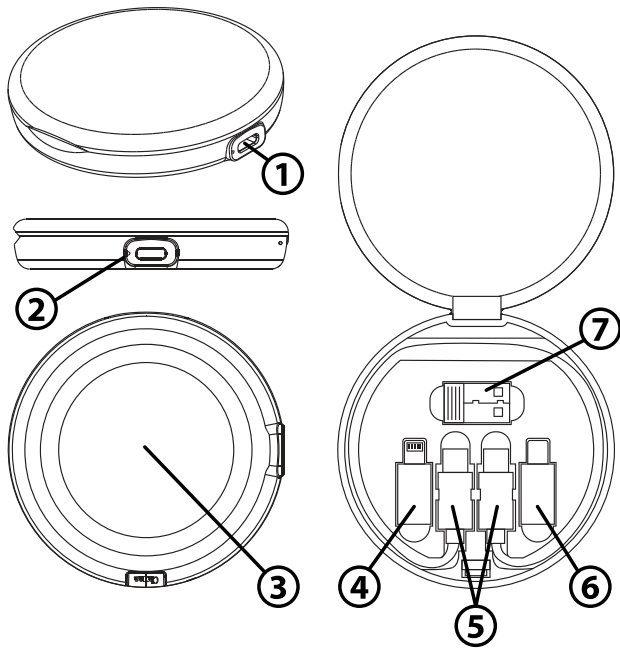
7143-80

Pad Pal 15W Wireless Charging Pad and 65W Cable Kit

Instruction Manual

Whats Included:

- 1 x Pad Pal 15W Wireless Charging Pad and 65W Cable Kit



Wireless Charging Pad Instructions:

1. Wireless Charging with The Charging Pad:

- Open the Pad Pal cable kit and remove the provided Type-C to Type-C charging cable (5) to connect the charger to a power source. Insert one end of the Type-C cable into a certified AC adapter and the other end into the Type-C Input Port (1) of the wireless charging pad.

** For optimal performance, a quick charge power adapter of at least 18W is recommended.

- Place your device with wireless charging capability on the wireless charging surface (3). (Ensure that the device is centered on the surface for best results.)
- The device will start charging automatically.
- The LED indicator(2) will illuminate WHITE during charging.

** Note: If the LED indicator flashes during charging, it may indicate that the device placed on the charging surface is not compatible with wireless charging or there is an obstruction like keys or coins between the device and the charging surface that is interfering with the charging process.

Functions:

1. Type-C Input Port
2. LED Indicator
3. Wireless Charging Surface
4. 2-in-1 Reversible Output Tip
5. Type-C to Type-C Cable
6. Micro Output Tip
7. USB-A Input Adapter

Tech Specifications:

1. Type-C Input Port: 5V/2A; 9V/2.2A
2. Type-C Tip Output: 65W max
3. 2-in-1/Micro Tips Output: 10W
4. Wireless Output: 15W Max

Using Charging Cable with Tip Adapters:

- Utilize the provided Type-C to Type-C cable(5) directly for devices with a Type-C port or attach the appropriate tip adapter for compatibility with other devices.

1. Using with USB-A Input Adapter(7):

- If you need to connect the charging cable to an AC adapter, wall charger, or laptop that features a USB-A port, connect the USB-A Input Adapter(7) to the Type-C tip.

2. Micro USB Output Tip(6):

- For devices with a Micro-USB output port, connect the micro-output tip (6) to the Type-C end of the cable.

3. 2-in-1 Reversible Output Tip(4):

- To use the reversible charging tip (4), connect the reversible tip to the Type-C end of the cable (5), and select the correct orientation of the tip to match your device's charging port:



For **Micro-USB Devices** you will insert the cable with the 5-PIN side of the cable facing up, as shown to the left.



For **iOS devices** with a lightning port (including iPhone models below 15 series), insert the cable with the side no pins facing upwards, as shown to the left.

- Once connected properly, your device will start charging automatically

Safety Precautions:

WARNING-When using this product, basic precautions should always be followed:

1. Read all the instructions before use.
2. Never store or use this product in temperatures below 32°F (0°C) or above 115°F (45°C).
3. Do not overcharge your phone. The unit may become hot under excessive use. Remove your phone once it is fully charged. Never charge your phone for more than 7 hours at a time.
4. To reduce the risk of injury, close supervision is required when the product is used near children.
5. Do not expose the device to moisture.
6. Do not use the device in excess of its output rating. Overload outputs above the rating may result in a risk of fire or injury.
7. Do not use the device if damaged or modified.
8. Damaged or modified batteries may exhibit unpredictable behaviour resulting in fire, explosion or risk of injury.
9. Do not disassemble the device. For repairs, seek a qualified service professional. Incorrect reassembly may result in a risk of fire or injury.
10. Do not expose the device to fire or excessive temperatures. Exposure to fire or temperatures above 104°F (40°C) may result in explosion.
11. To ensure product safety, ensure that qualified service professionals use only identical replacement parts.
12. Attachments on the back of your phone can impede the effectiveness of the wireless charger, and lead to overheating. You must remove attachments from the phone before charging on this device.

FCC Statement:

This device complies with Part 15 of the FCC Rules. Operation is subject to the following two conditions:

1. This device may not cause harmful interference, and
2. This device must accept any interference received, including interference that may cause undesired operation.

Warning:

Changes or modifications not expressly approved by the party responsible for compliance could void the user's authority to operate the equipment.

Note:

This equipment has been tested and found to comply with the limits for a Class B digital device pursuant to part 15 of the FCC Rules. These limits are designed to provide reasonable protection against harmful interference in a residential installation.

This equipment generates uses and can radiate radio frequency energy and, if not installed and used in accordance with the instructions, may cause harmful interference to radio communications. However, there is no guarantee that interference will not occur in a particular installation. If this equipment does cause harmful interference to radio or television reception, which can be determined by turning the equipment the interference by one or more of the following measures:

- Reorient or relocate the receiving antenna.
- Increase the separation between the equipment and receiver.
- Connect the equipment into an outlet on a circuit

different from that to which the receiver is connected.
- Consult the dealer or an experienced radio/TV technician for help.

FCC Radiation Exposure Statement:

Antennas used for this transmitter must be installed to provide a separation distance of at least 20 cm from all persons and must not be co-located for operating in conjunction with any other antenna or transmitter.

This device complies with Part 15 of the FCC Rules.

Operation is subject to the following two conditions:

- (1) this device may not cause harmful interference, and
- (2) this device must accept any interference received, including interference that may cause undesired operation.

This device has been tested and found to comply with the limits for a Class B digital device, pursuant to Part 15 of the FCC Rules. These limits are designed to provide reasonable protection against harmful interference in a residential installation. This device generates, uses and can radiate radio frequency energy and, if not installed and used in accordance with the instructions, may cause harmful interference to radio communications.

However, there is no guarantee that interference will not occur in a particular installation. If this device does cause harmful interference to radio or television reception, which can be determined by turning the device off and on, the user is encouraged to try to correct the interference by one or more of the following measures:

- Reorient or relocate the receiving antenna.
- Increase the separation between the device and receiver.
- Connect the device into an outlet on a circuit different from that to which the receiver is connected.
- Consult the dealer or an experienced radio/TV technician for help.

Changes or modifications not expressly approved by the party responsible for compliance could void the user's authority to operate the equipment.

The distance between user and products should be no less 20cm.

Name of the Distributor:

Leedsworld Inc

Address of the Distributor:

400 Hunt Valley Road,

New Kensington,

PA 15068 USA.

FCC ID: 2APYY-AB0614

Model #: AB0614

Made in China