

# INVERTEC® 135S, 150S & 170S

Spare Parts.....	1
Figure A: Machine Assembly 135S.....	2
Figure B: Machine Assembly 150S.....	3
Figure C: Machine Assembly 170S.....	4
Electrical Schematic.....	6
CODE: 52066, 52106.....	6
CODE: 52067, 52096.....	7
CODE: 52068, 52097.....	8

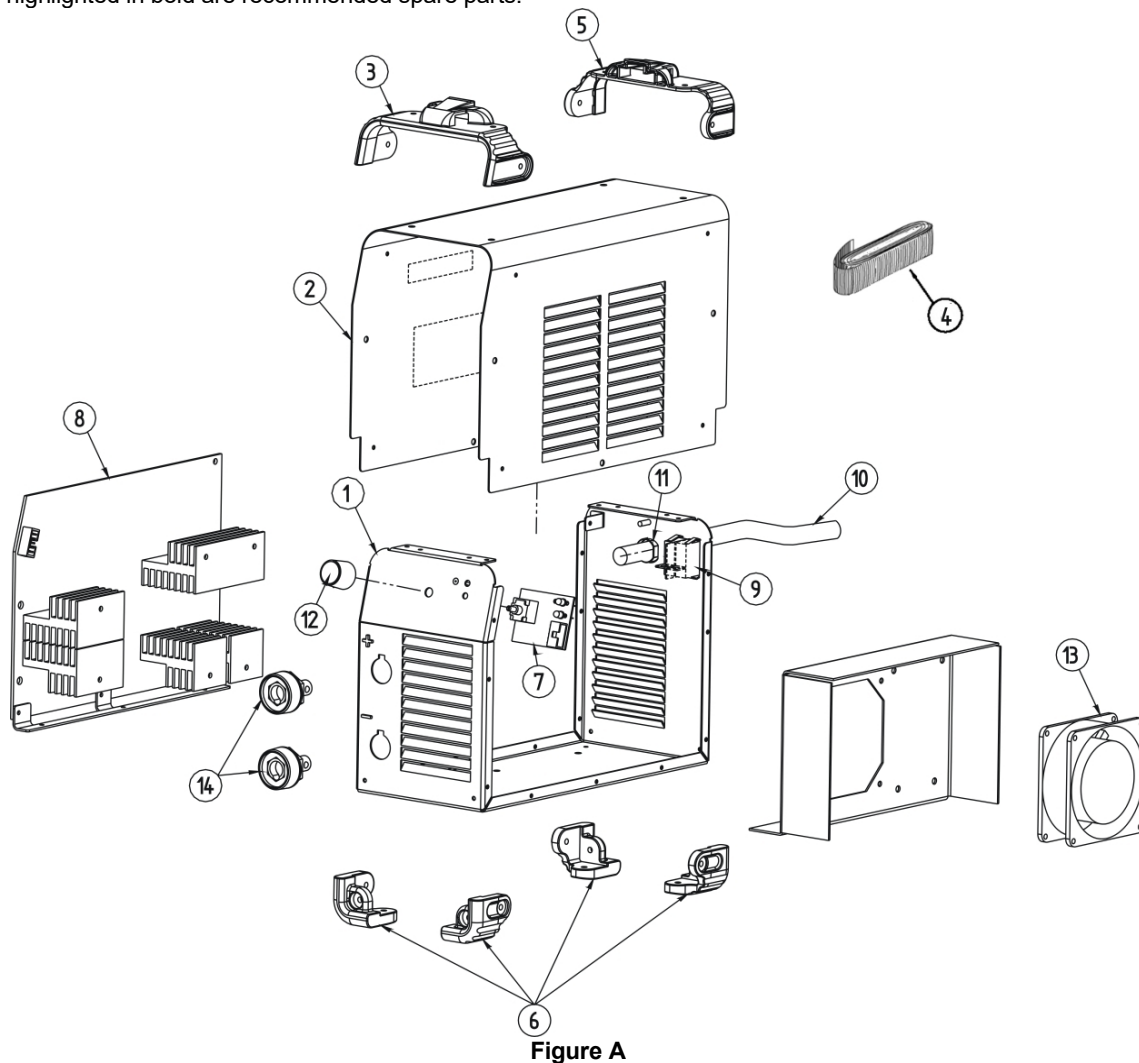


# Spare Parts

SP52066/52067/52068/52096/52097/52106 REV09  
06/23

ASSEMBLY PAGE NAME			Machine Assembly 135S	Machine Assembly 150S	Machine Assembly 170S			
CODE NO.:	W NO.:	FIGURE NO.:	A	B	C			
52066	K12033-1	INVERTEC® 135S	1					
52066	K12033-1-P	INVERTEC® 135S PACK	1					
52106	K12033-2-P	INVERTEC® 135S PACK AUS	2					
52067	K12034-1	INVERTEC® 150S		1				
52067	K12034-1-P	INVERTEC 150S® PACK		1				
52096	K12034-2-P	INVERTEC 150S® PACK AUS		2				
52068	K12035-1	INVERTEC 170S®			1			
52068	K12035-1-P	INVERTEC 170S® PACK			1			
52097	K12035-2-P	INVERTEC 170S® PACK AUS			2			

\*items highlighted in bold are recommended spare parts.



**Figure A: Machine Assembly 135S**

Item	Description	Part Number	QTY	1	2	3	4	5	6	7
1	MAIN FRAME + FRONT NAMEPLATE	W93X0928R	1	X	X					
		+ W07X0921R	1	X	X					
2	WRAPAROUND + KIT SIDE NAMEPLATES INVERTEC	W93X1050R	1	X	X					
		+ W07X1186R	1	X	X					
3	FRONT HANDLE	W95X1148-1R	1	X	X					
4	CARRYING STRAP	W92X1189R	1	X	X					
5	REAR HANDLE	W95X1148-2R	1	X	X					
6	KIT 4 ANTI-SLIP FOOT	W95X1149R	1	X	X					
7	CONTROL P.C. BOARD	W05X0906R	1	X	X					
<b>8</b>	<b>INVERTER P.C. BOARD</b>	<b>W05X0908R</b>	<b>1</b>	<b>X</b>	<b>X</b>					
9	MAINS SWITCH	W7516226R	1	X	X					
10	INPUT CORD CE (16A SHUKO PLUG)	W78X0930R	1	X	-					
10	INPUT CORD AUS (10A AUS PLUG)	W78X1420R	1	-	X					
11	CABLE CLAMP	W8400037R	1	X	X					
12	KNOB	W8700022R	1	X	X					
13	FAN	W7200010R	1	X	X					
14	DINSE CONNECTOR	W7600036R	2	X	X					

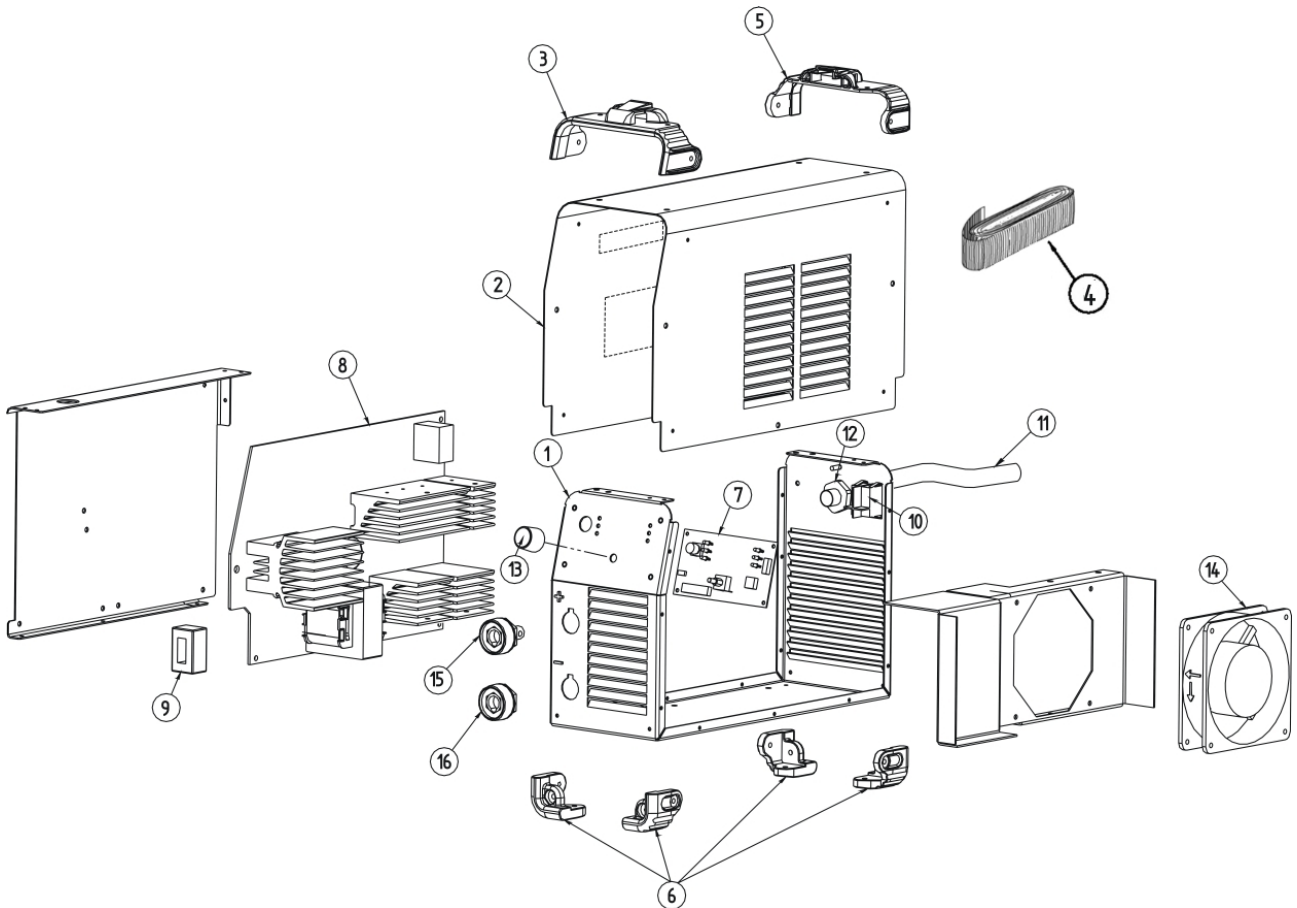


Figure B

Figure B: Machine Assembly 150S

Item	Description	Part Number	QTY	1	2	3	4	5	6	7
1	MAIN FRAME + FRONT NAMEPLATE	W93X1084R + W07X0922R	1 1	X X	X X					
2	WRAPAROUND + KIT SIDE NAMEPLATES INVERTEC	W93X1187R + W07X1186R	1 1	X X	X X					
3	FRONT HANDLE	W95X1148-1R	1	X	X					
4	CARRYING STRAP	W92X1189R	1	X	X					
5	REAR HANDLE	W95X1148-2R	1	X	X					
6	KIT 4 ANTI-SLIP FOOT	W95X1149R	1	X	X					
7	<b>CONTROL P.C. BOARD CE</b>	<b>W05X1088R</b>	<b>1</b>	<b>X</b>	-					
7	<b>CONTROL P.C. BOARD AUS</b>	<b>W05X1088-1R</b>	<b>1</b>	-	<b>X</b>					
8	<b>INVERTER P.C. BOARD</b>	<b>W05X1064R</b>	<b>1</b>	<b>X</b>	<b>X</b>					
9	HALL SENSOR	W4900003R	1	X	X					
10	MAINS SWITCH	W7516226R	1	X	X					
11	INPUT CORD CE	W78X0248R	1	X	-					
11	INPUT CORD AUS	W78X0369R	1	-	X					
12	CABLE CLAMP	W8400006R	1	X	X					
13	KNOB	W8700022R	1	X	X					
14	<b>FAN</b>	<b>W7200014R</b>	<b>1</b>	<b>X</b>	<b>X</b>					
15	DINSE + CONNECTOR	W7600037R	1	X	X					
16	DINSE - CONNECTOR	W7600025R	1	X	X					

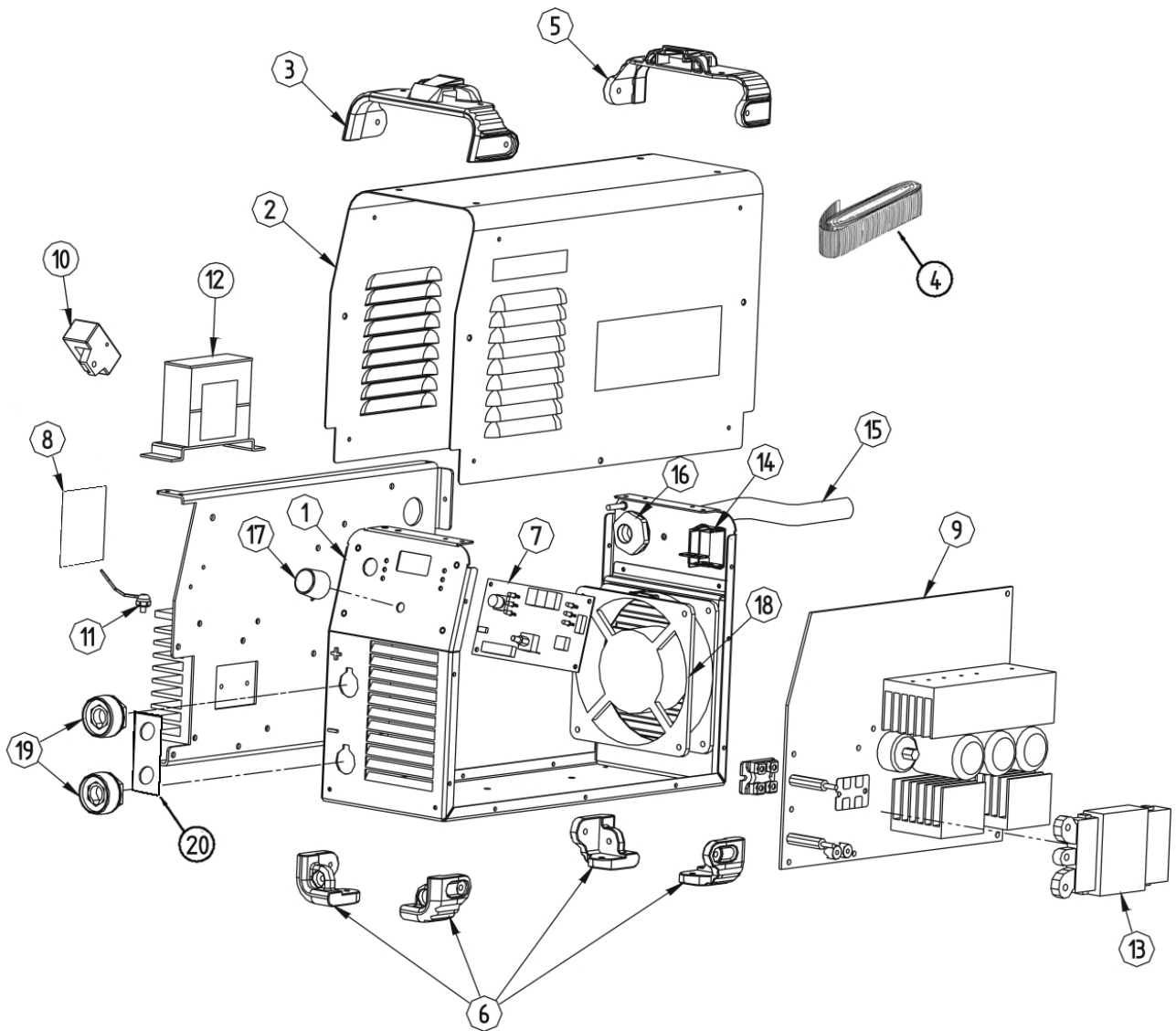


Figure C

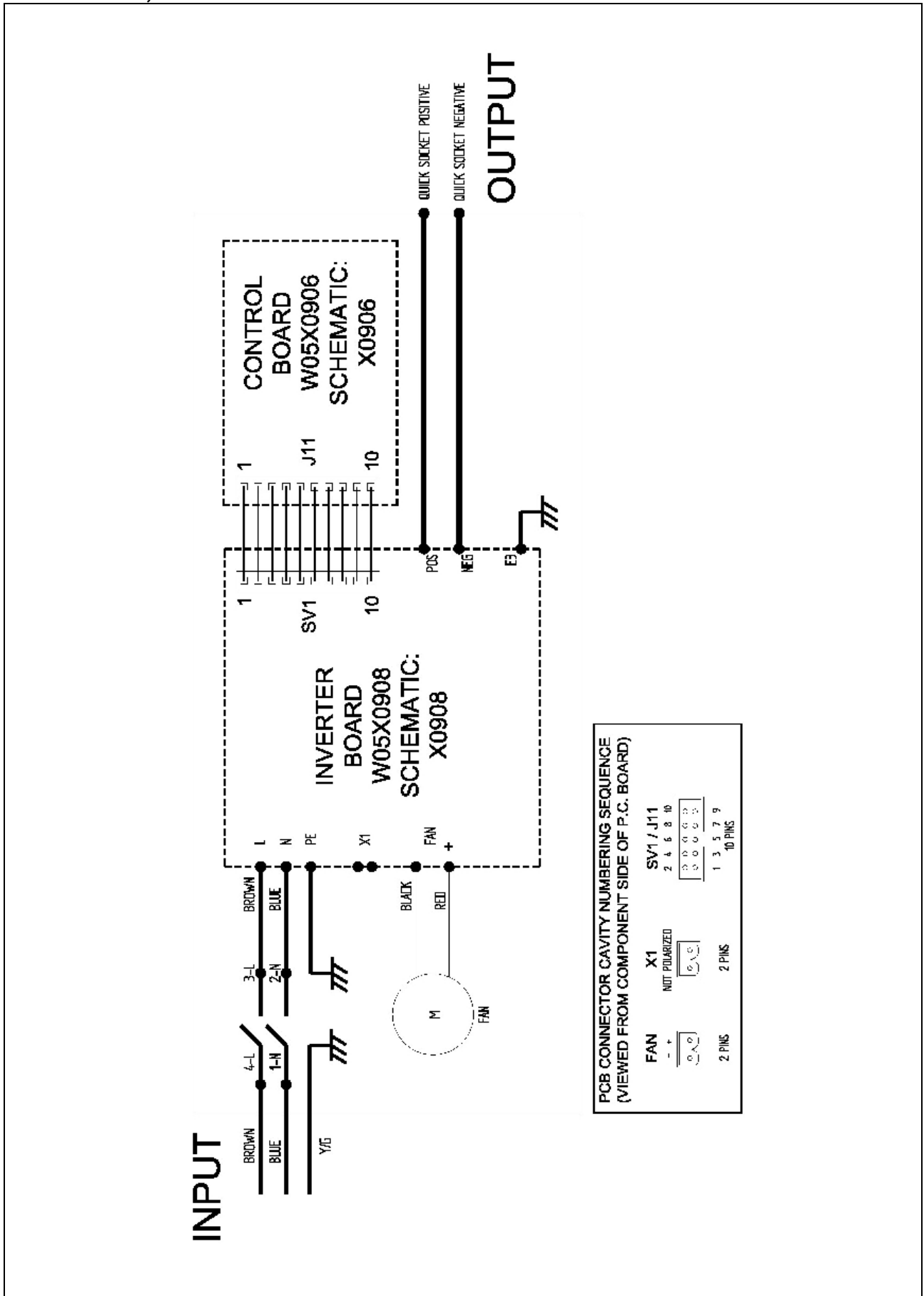
Figure C: Machine Assembly 170S

Item	Description	Part Number	QTY	1	2	3	4	5	6	7
1	MAIN FRAME + FRONT NAMEPLATE	W93X0929R + W07X0923R	1 1	X X	X X					
2	WRAPAROUND + KIT SIDE NAMEPLATES INVERTEC	W93X1188R + W07X1186R	1 2	X X	X X					
3	FRONT HANDLE	W95X1148-1R	1	X	X					
4	CARRYING STRAP	W92X1189R	1	X	X					
5	REAR HANDLE	W95X1148-2R	1	X	X					
6	KIT 4 ANTI-SLIP FOOT	W95X1149R	1	X	X					
7	<b>DISPLAY P.C. BOARD</b>	<b>W05X0907R</b>	<b>1</b>	<b>X</b>	<b>X</b>					
8	INPUT FILTER	W05X1220R	1	X	X					
9	<b>INVERTER P.C. BOARD</b>	<b>W05X0909R</b>	<b>1</b>	<b>X</b>	<b>X</b>					
10	HALL SENSOR	W4900003R	1	X	X					
11	THERMOSTAT SENSOR	W9600081R	1	X	X					
12	OUT INDUCTOR	W58X1182R	1	X	X					
13	POWER TRANSFORMER	W59X0988R	1	X	X					
14	MAINS SWITCH	W7516226R	1	X	X					
15	INPUT CORD CE	W78X1087R	1	X	-					
15	INPUT CORD AUS	W78X1270R	1	-	X					

16	CABLE CLAMP	W8400006R	1	X	X					
17	KNOB	W8700022R	1	X	X					
<b>18</b>	<b>FAN</b>	<b>W7200013R</b>	<b>1</b>	<b>X</b>	<b>X</b>					
19	DINSE CONNECTOR	W7600025R	2	X	X					
20	OUTPUT FILTER	W05X1221R	1	X	X					

# Electrical Schematic

CODE: 52066, 52106



PCB CONNECTOR CAVITY NUMBERING SEQUENCE  
(VIEWED FROM COMPONENT SIDE OF P.C. BOARD)

FAN	X1	SV1 / J11
- +	NOT POLARIZED	2 4 6 8 10
1 2	1 2	3 4 5 6 7 8 9 10
2 PINS	2 PINS	10 PINS

