









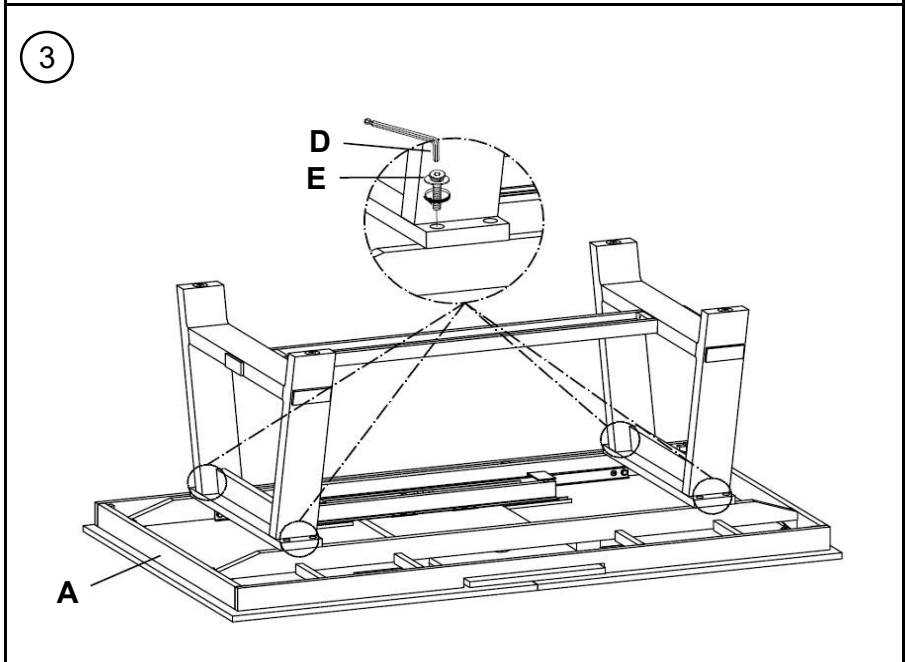
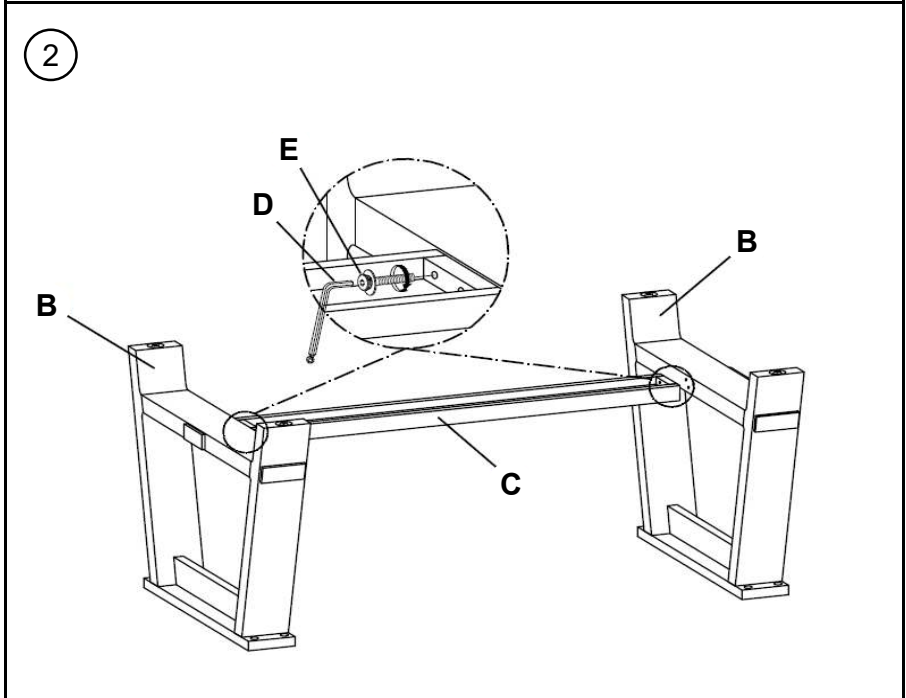
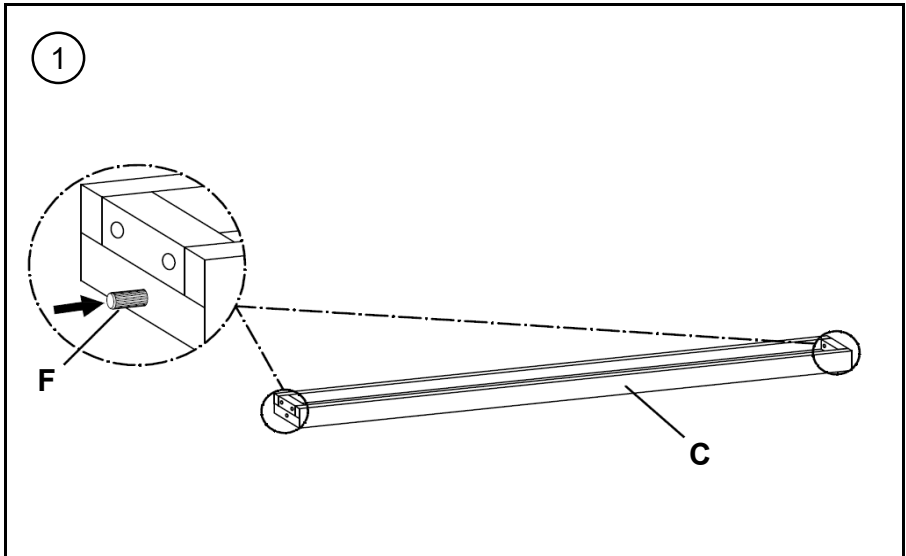
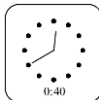
LIVING SPACES

A	2135T-4287-A		x1
B	2135T-4287-B		x2
C	2135T-4287-C		x1
D	2135T-4287-D	 M4 x 100mm	x1
E	2135T-4287-E	 1/4" x 2"	x12
F	2135T-4287-F	 M8 x 30mm	x2

ELLORY DINING TABLE



2135T-4287
DINING TABLE



NOTE: Periodically check to ensure that all connectors (bolts, screws, etc.) are tight.

ASSEMBLY INSTRUCTIONS

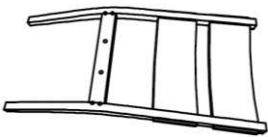
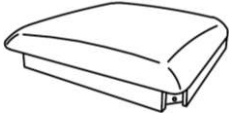

MODEL : 2135





CRWN

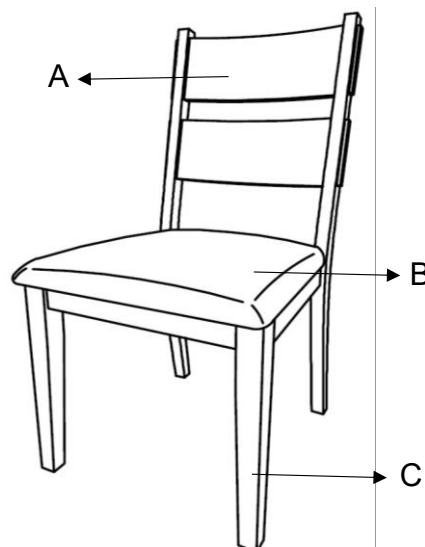
2135S Side Chair



Thank you for purchasing this quality product. Be sure to check all packing material carefully for small parts. Which may have come loose inside the carton during shipment. Identify and count all parts and compare with the hardware list as below.

Part List	No.	Picture	Description	Qty
	A		Back Rest	1 Pc
	B		Seater With Frame	1 Pc
	C		Front Leg	2 Pcs

Hardware List	No.	Picture	Description	Qty
	1		Allen Wrench M4 x 100mm	1 Pc
	2		JCBC M6 x 40mm With Washer	2 Pcs
	3		JCBC M6 x 60mm With Washer	4 Pcs
	4		JCBC M6 x 70mm With Washer	4 Pcs



PARTS DETAILS

THE HARDWARE IS LOCATED IN THE PACKING ITEMS.

ASSEMBLY INSTRUCTIONS

MODEL : 2135

CRWN

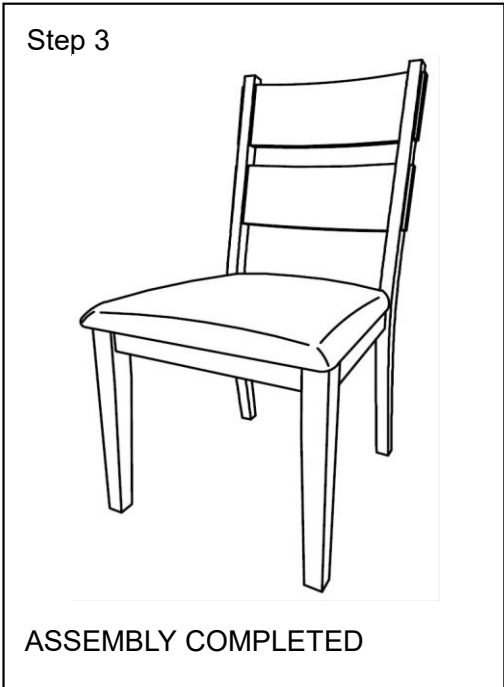
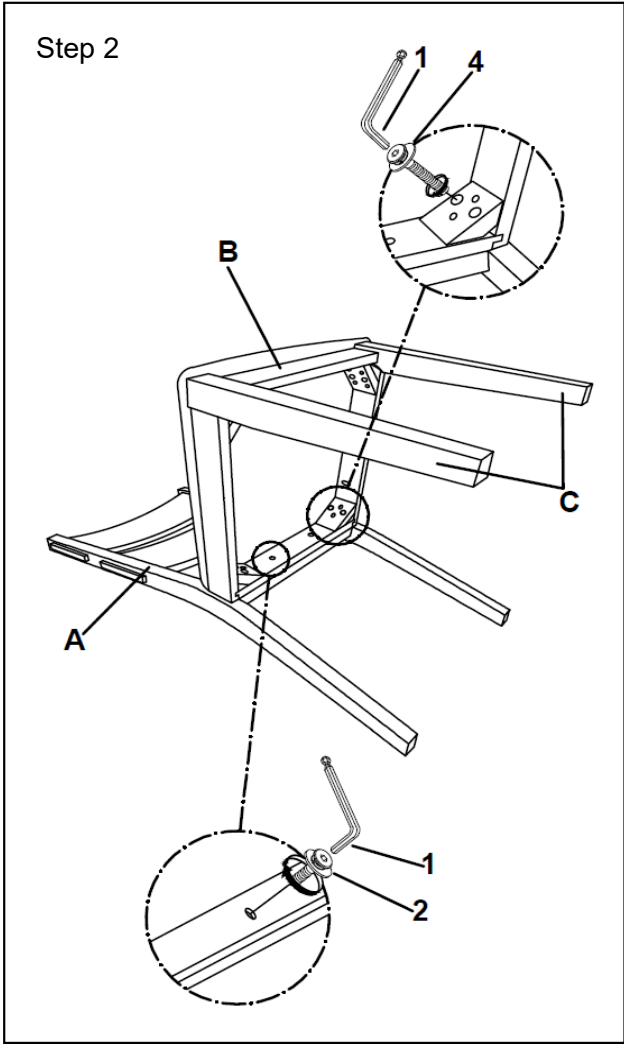
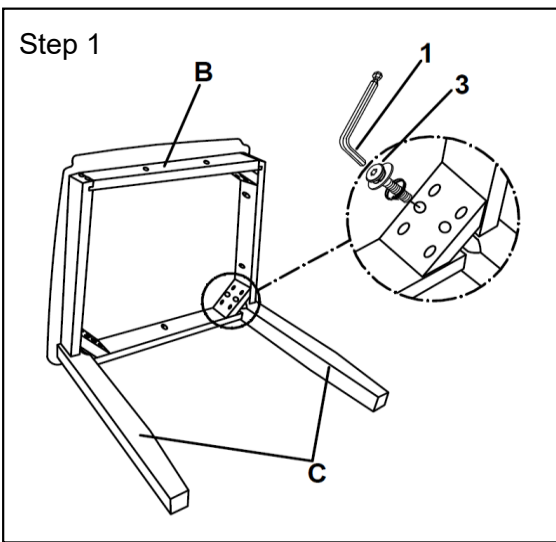
2135S Side Chair



Thank you for purchasing this quality product. Be sure to check all packing material carefully for small parts which may have come loose inside the carton during shipment. Identify and count all parts and compare with the Part List as below.

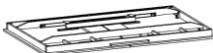





NOTE: ASSEMBLE THE CHAIR ON A FLAT & SOFT SURFACE. DO NOT TIGHTEN ALL THE SCREWS UNTIL THE CHAIR HAS BEEN PUT A FLAT/HARD SURFACE ADJUST & LEVEL ALL THE LEGS SO THAT THEY DO NOT WOBBLE. ONCE ADJUSTED THEN TIGHTEN ALL THE SCREWS

NOTE: Periodically check to ensure that all connectors (bolts, screws, etc.) are tight.

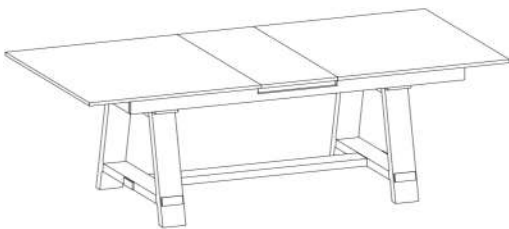




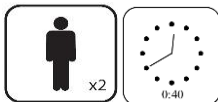
LIVING SPACES

A	2135T-4287-A		x1
B	2135T-4287-B		x2
C	2135T-4287-C		x1
D	2135T-4287-D	 M4 x 100mm	x1
E	2135T-4287-E	 1/4" * 2"	x12
F	2135T-4287-F	 M8 x 30mm	x2

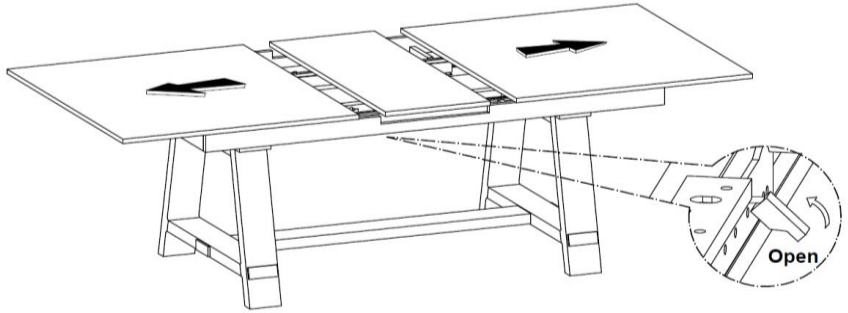
ELLORY DINING TABLE



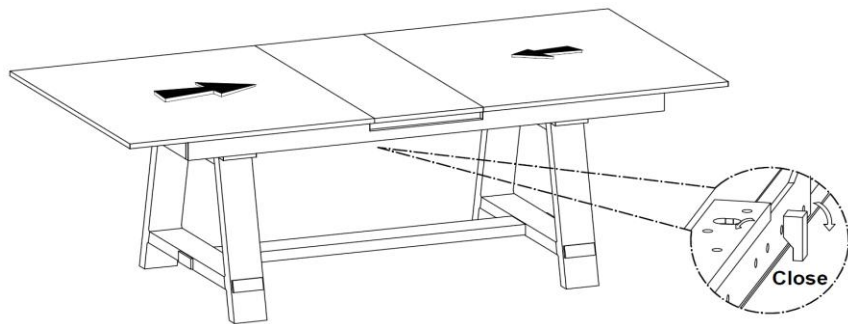
2135T-4287
DINING TABLE



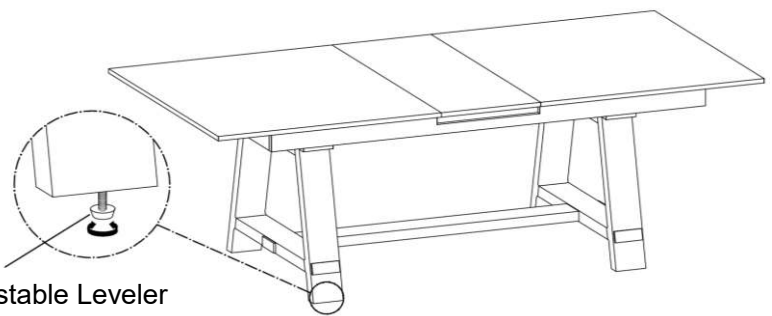
4



5



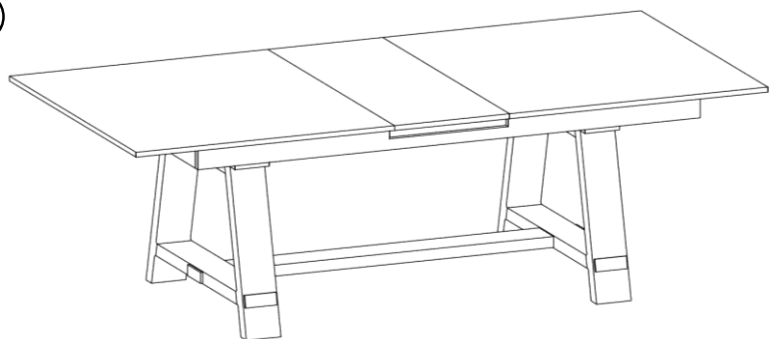
6



Adjustable Leveler

* Balance the table by adjusting the leveler

7



NOTE: Periodically check to ensure that all connectors (bolts, screws, etc.) are tight.