





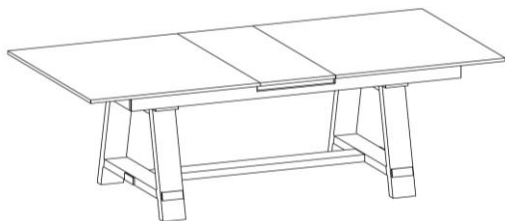




LIVING SPACES

A	2135T-4287-A		x1
B	2135T-4287-B		x2
C	2135T-4287-C		x1
D	2135T-4287-D	 M4 x 100mm	x1
E	2135T-4287-E	 1/4" x 2"	x12
F	2135T-4287-F		x2

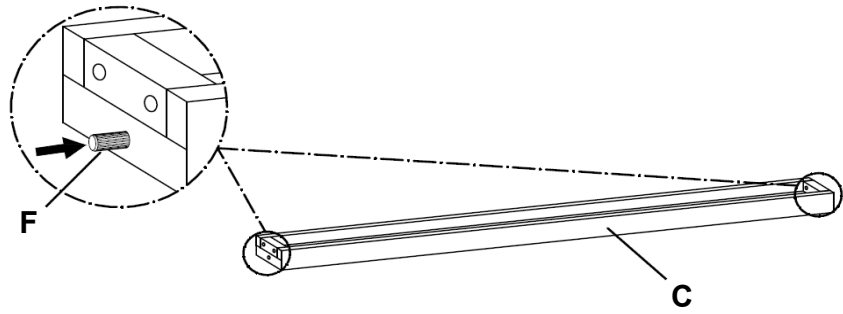
ELLORY DINING TABLE



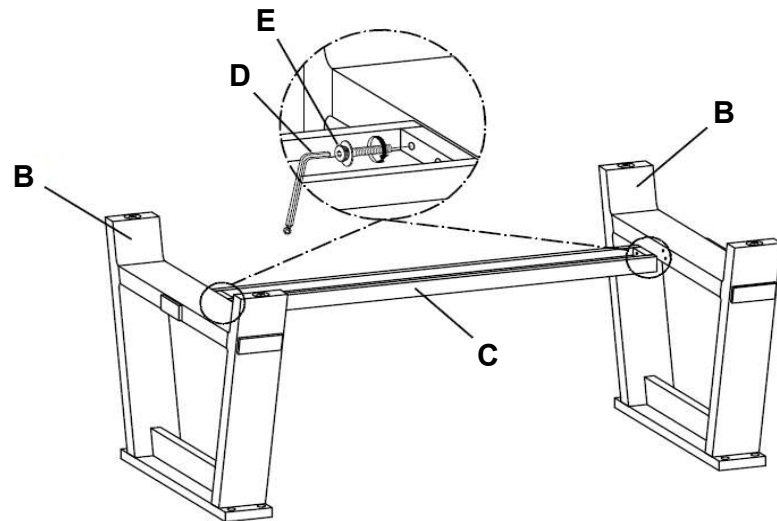
2135T-4287  
DINING TABLE



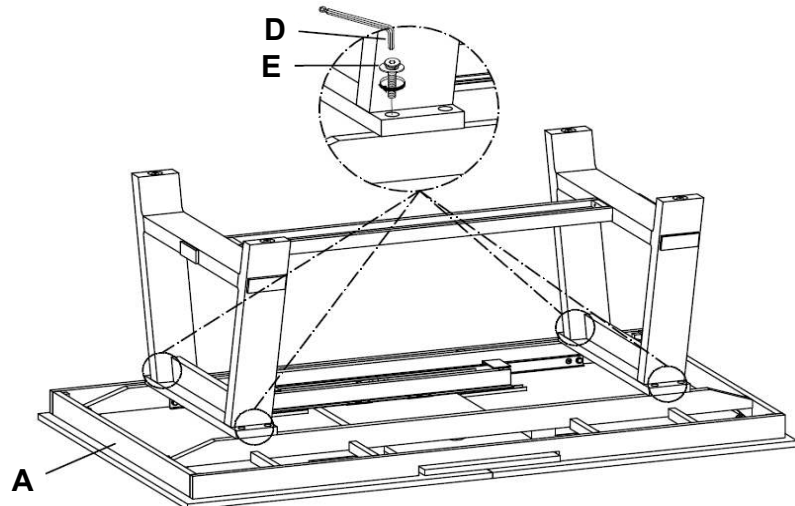
1



2



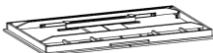





3



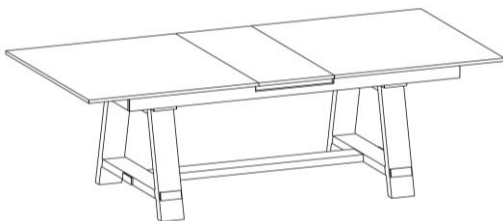
NOTE: Periodically check to ensure that all connectors (bolts, screws, etc.) are tight.



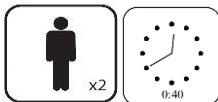
LIVING SPACES

<b>A</b>	2135T-4287-A		x1
<b>B</b>	2135T-4287-B		x2
<b>C</b>	2135T-4287-C		x1
<b>D</b>	2135T-4287-D	 M4 x 100mm	x1
<b>E</b>	2135T-4287-E	 1/4" * 2"	x12
<b>F</b>	2135T-4287-F		x2

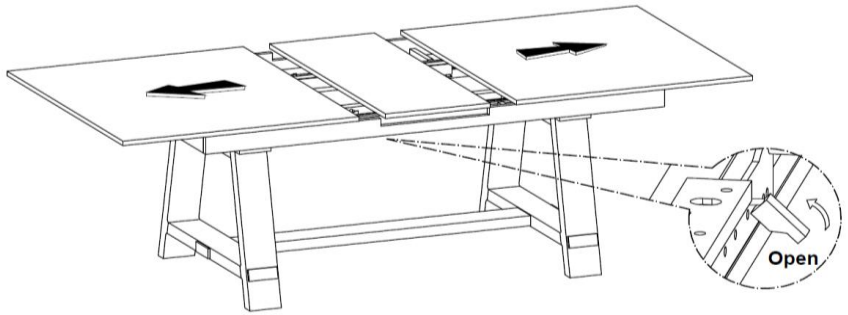
ELLORY DINING TABLE



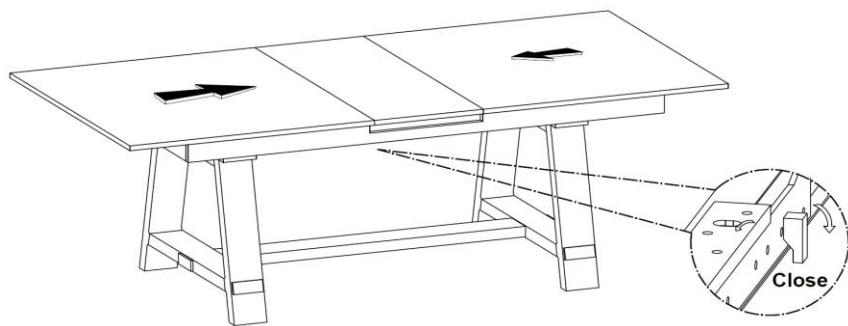
2135T-4287  
DINING TABLE



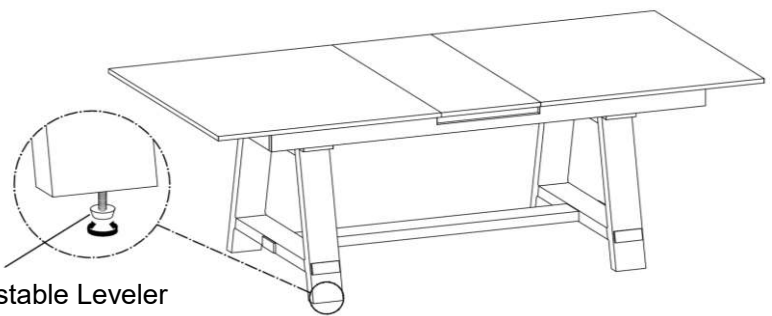
4



5



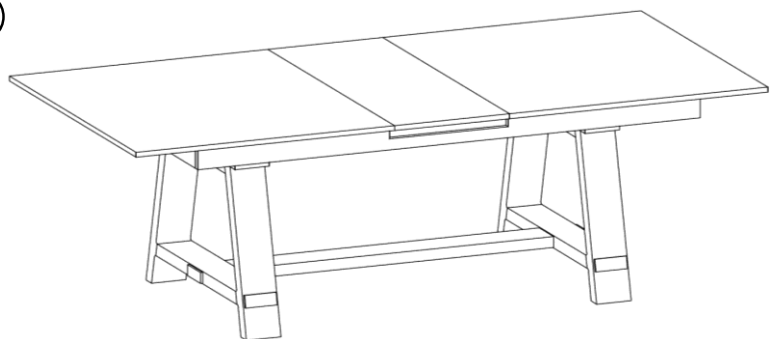
6



Adjustable Leveler

\* Balance the table by adjusting the leveler

7



NOTE: Periodically check to ensure that all connectors (bolts, screws, etc.) are tight.